

CONSTRUCTION OF TH.VANDHOO  
ISLAND WASTE AND RESOURCE MANAGEMENT CENTRE



PREPARED BY:  
MALDIVES CLEAN ENVIRONMENT PROJECT  
MINISTRY OF ENVIRONMENT

---

APRIL 2021

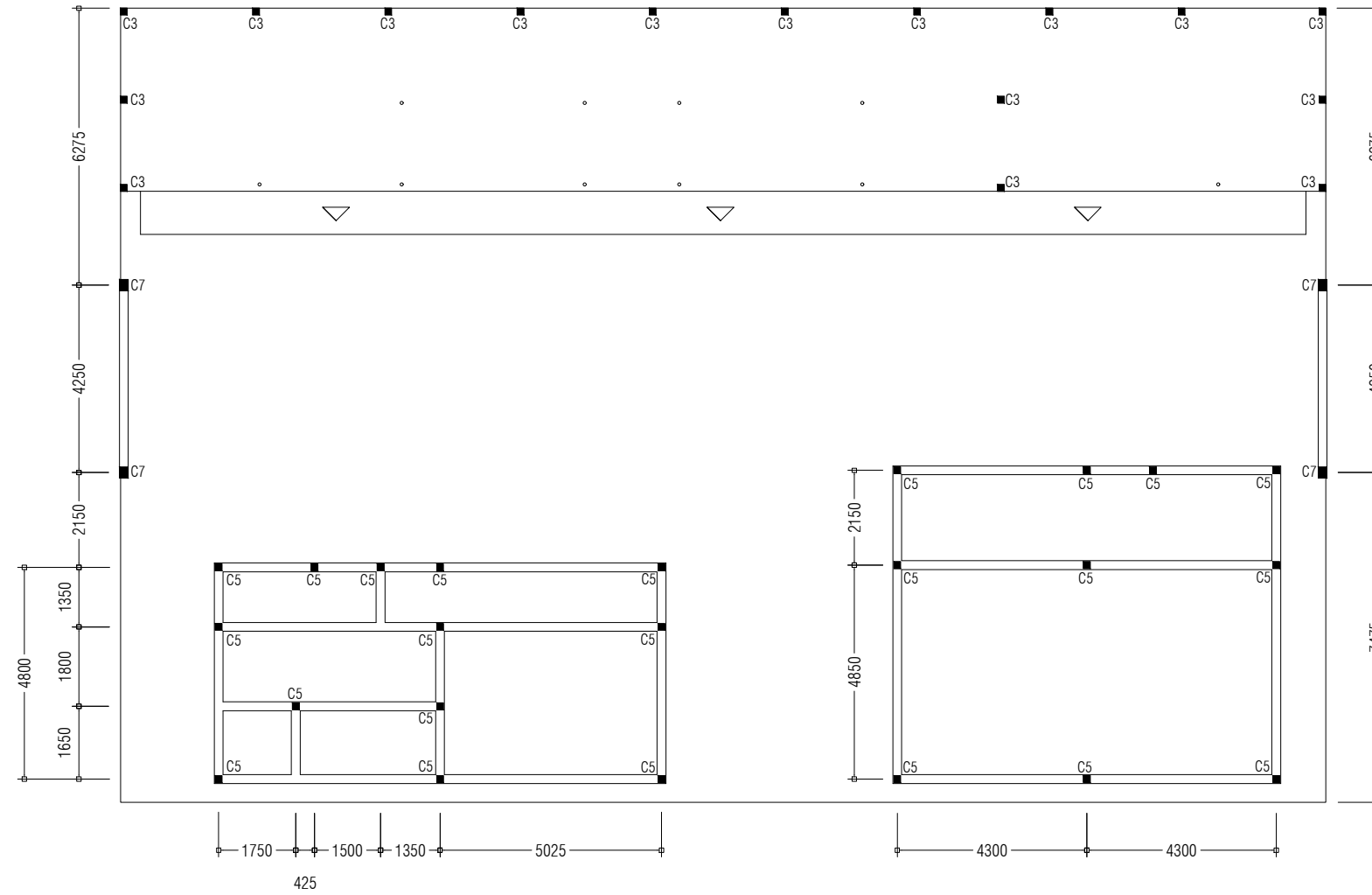


PREPARED BY	PROJECT	DESIGN BY	AMENDMENTS
	CONSTRUCTION OF IWRM TH.VANDHOO	AFRAZ	
	TITLE SITE PLAN	STRUCTURE BY AFRAZ	
	CLIENT DEPARTMENT WMPC DEPARTMENT	DRAWN BY AFRAZ	
	PAPER SIZE A3	SCALE 1:150	
	PAGE NO. 01	DWG NO. TVAN-A1-01	
		DATE 20.04.2021	


**MCEP**  
 MINISTRY OF ENVIRONMENT  
 GREEN BUILDING, HANDHUVAREE HIGUN,  
 MAAFANNU, MALE (20392), REPUBLIC OF MALDIVES.  
 TEL: +960-3018431, +960-3018300, FAX: +960-328301






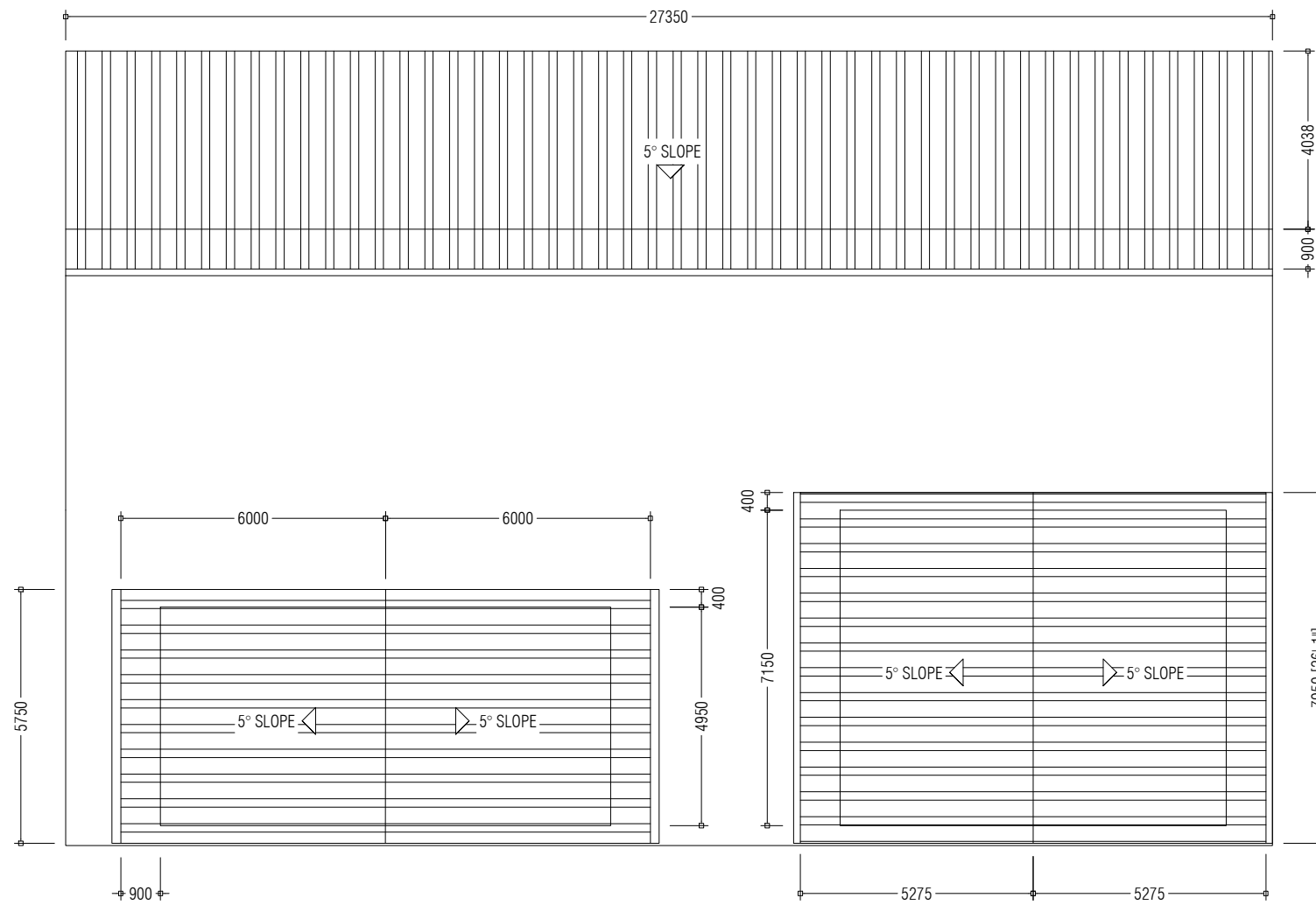


NOTE:

 TIE BEAMS [200X200mm]

PREPARED BY	PROJECT	DESIGN BY	AMENDMENTS
 <p>MCEP MINISTRY OF ENVIRONMENT GREEN BUILDING, HANDHUVAREE HIGUN, MAAFANNU, MALE (20392), REPUBLIC OF MALDIVES. TEL: +960-3018431, +960-3018300, FAX: +960-328301</p>	CONSTRUCTION OF IWRMC TH.VANDHOO	AFRAZ	
	TITLE FOUNDATION PLAN	STRUCTURE BY AFRAZ	
	CLIENT DEPARTMENT WMPC DEPARTMENT	DRAWN BY AFRAZ	
	PAPER SIZE A3	SCALE 1:150	
	PAGE NO. 03	DWG NO. TVAN-A1-03	
		DATE 20.04.2021	





PREPARED BY

PROJECT  
CONSTRUCTION OF IWRMC  
TH.VANDHOO

DESIGN BY  
AFRAZ

AMENDMENTS

TITLE  
ROOF PLAN

STRUCTURE BY  
AFRAZ

CLIENT DEPARTMENT  
WMPC DEPARTMENT

DRAWN BY  
AFRAZ

PAPER SIZE A3

SCALE 1:150

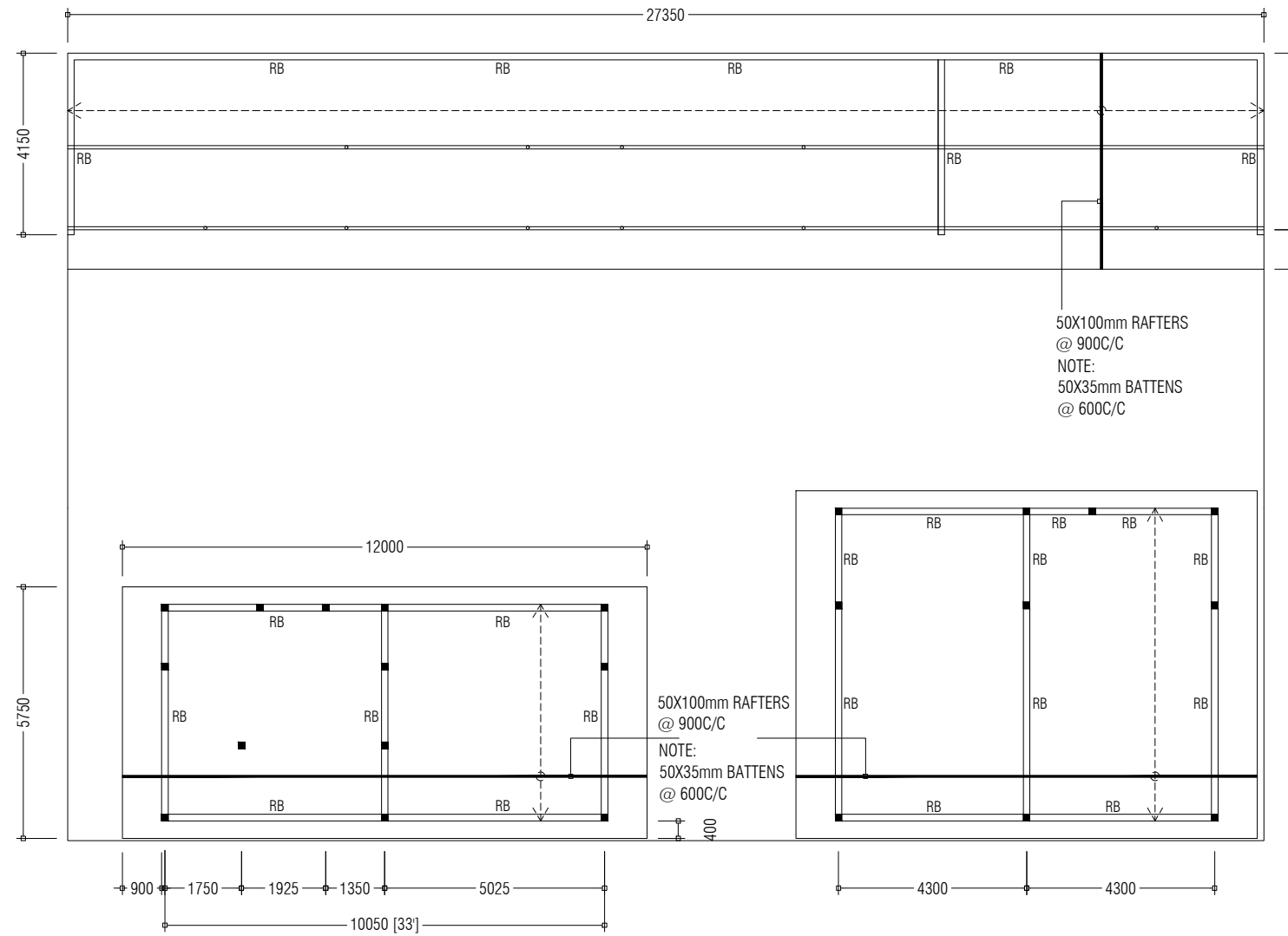
PAGE NO. 05

DWG NO. TVAN-A1-05

DATE 20.04.2021



MCEP  
MINISTRY OF ENVIRONMENT  
GREEN BUILDING, HANDHUVAREE HIGUN,  
MAAFANNU, MALÉ (20392), REPUBLIC OF MALDIVES,  
TEL: +960-3018431, +960-3018300, FAX: +960-328301



PREPARED BY

PROJECT  
CONSTRUCTION OF IWRMC  
TH.VANDHOO

DESIGN BY  
AFRAZ

AMENDMENTS

TITLE  
ROOF STRUCTURE PLAN

STRUCTURE BY  
AFRAZ

CLIENT DEPARTMENT  
WMPC DEPARTMENT

DRAWN BY  
AFRAZ

PAPER SIZE A3

SCALE NTS

PAGE NO. 06

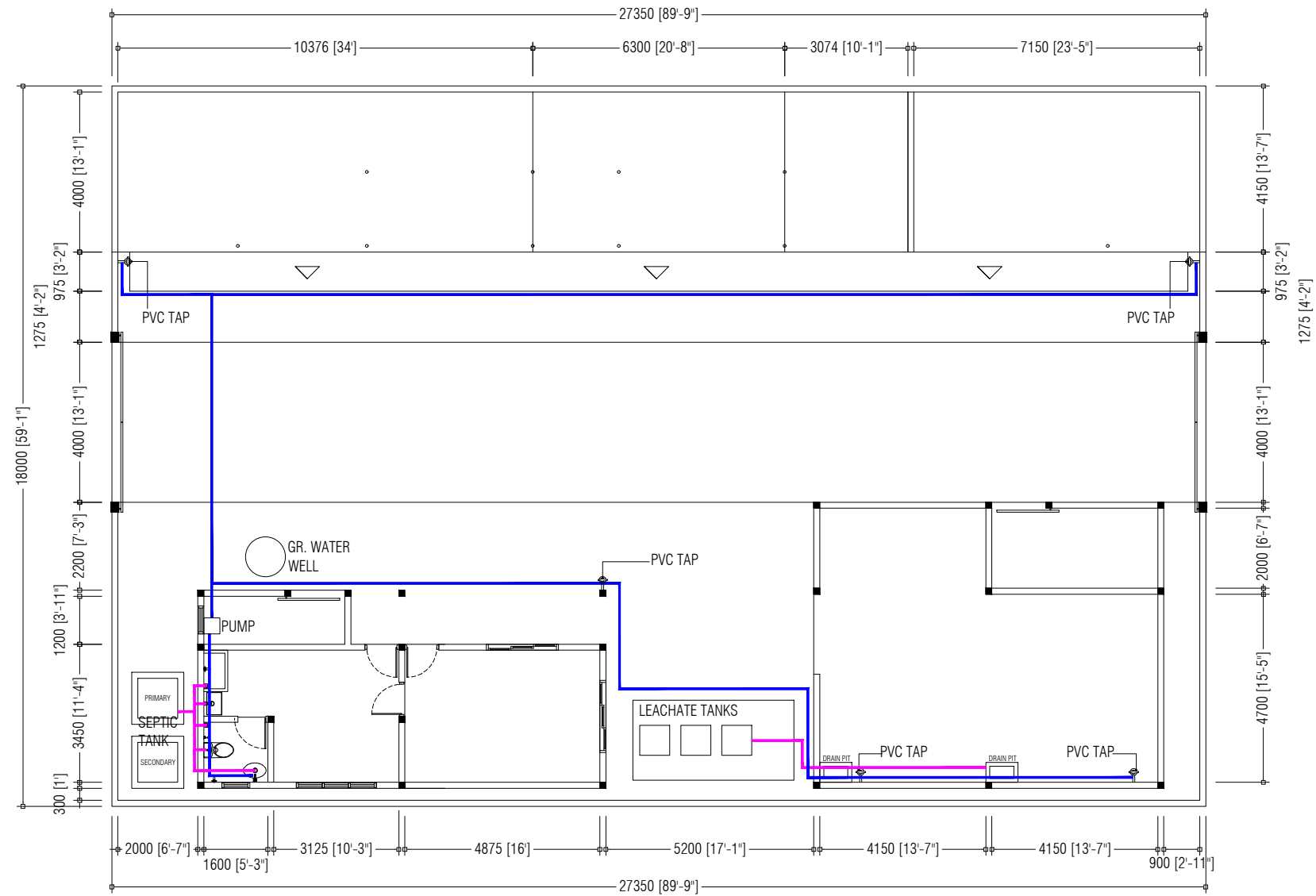
DWG NO. TVAN-A1-06

DATE 20.04.2021



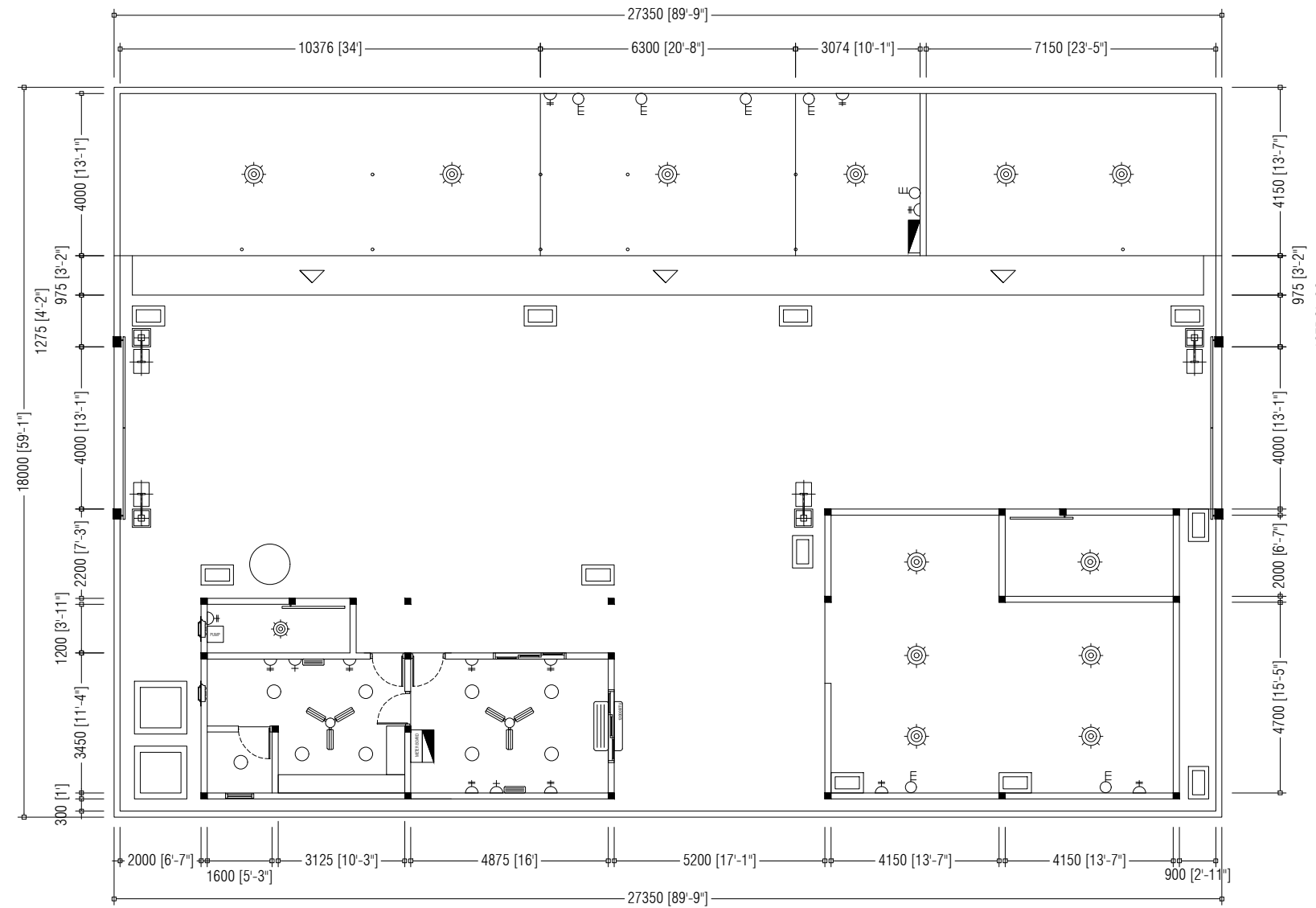
MCEP  
MINISTRY OF ENVIRONMENT  
GREEN BUILDING, HANDHUVAREE HIGUN,  
MAAFANNU, MALÉ (20392), REPUBLIC OF MALDIVES,  
TEL: +960-3018431, +960-3018300, FAX: +960-328301

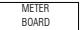



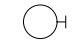







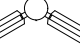





PREPARED BY	PROJECT	DESIGN BY	AMENDMENTS
	CONSTRUCTION OF IWRMC TH.VANDHOO	AFRAZ	
	TITLE PLUMBING PLAN	STRUCTURE BY AFRAZ	
	CLIENT DEPARTMENT WMPC DEPARTMENT	DRAWN BY AFRAZ	
PAPER SIZE	A3	SCALE	NTS
PAGE NO.	07	DWG NO.	TVAN-A1-07
		DATE	20.04.2021


**MCEP**  
 MINISTRY OF ENVIRONMENT  
 GREEN BUILDING, HANDHUVAREE HIGUN,  
 MAAFANNU, MALÉ (20392), REPUBLIC OF MALDIVES,  
 TEL: +960-3018431, +960-3018300, FAX: +960-328301



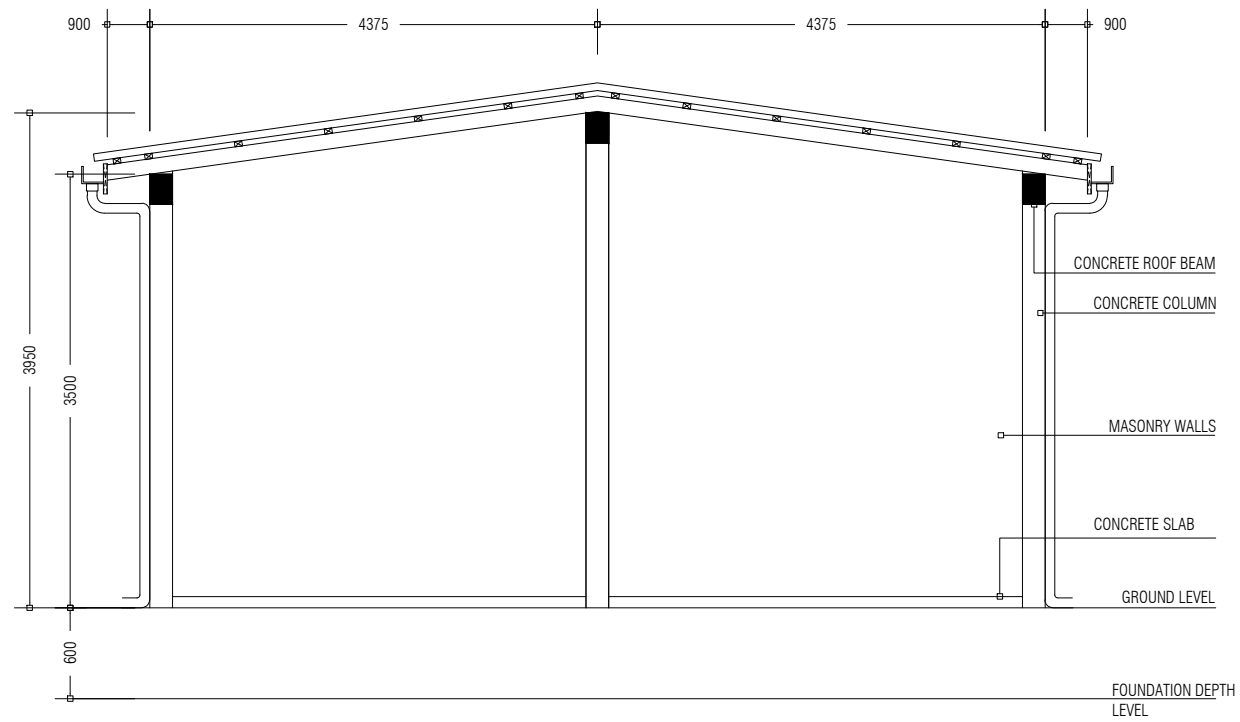
- METER BOARD 
- DISTRIBUTION BOARDS 
- 20W LED LIGHT (DAY LIGHT) 
- 20W CEILING MOUNT LED LIGHT (WARM WHITE) 
- 20W WALL MOUNT EXTERIOR LED LIGHT (WARM WHITE) 
- 25W SWIVEL LED FLOOD LIGHT (DAY LIGHT) 
- 10W WALL MOUNT LED EMERGENCY LIGHT (DAY LIGHT) 
- 13AMP DOUBLE SOCKET 
- 3 PHASE, 15A POWER POINTS (1.5m ABOVE FL. LEVEL) 
- 3 PHASE, WATERPROOF, 15A POWER POINTS (1.5m ABOVE FL. LEVEL) 
- CEILING FAN 
- EXHAUST FAN 
- AC WITH OUTLET (12,000 BTU) 
- FLOOD LIGHT 

PREPARED BY

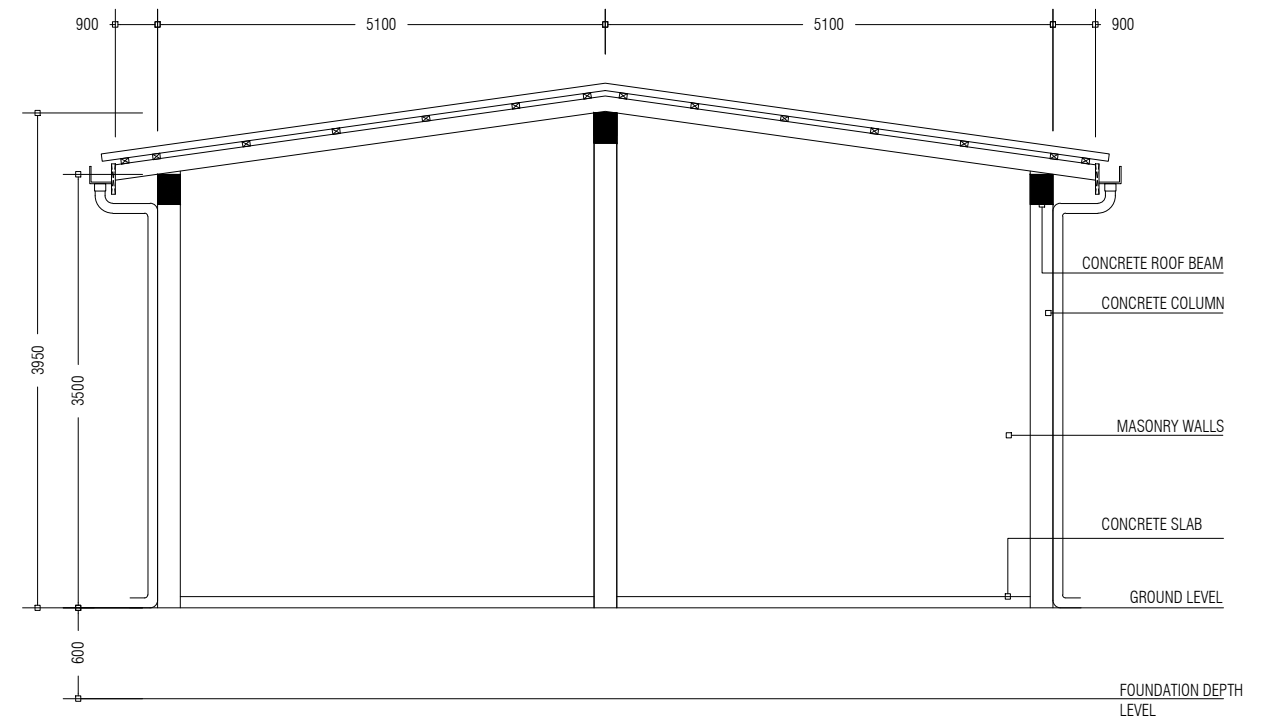


MCEP  
 MINISTRY OF ENVIRONMENT  
 GREEN BUILDING, HANDHUVAREE HIGUN,  
 MAAFANNU, MALE (20392), REPUBLIC OF MALDIVES.  
 TEL: +960-3018431, +960-3018300, FAX: +960-328301

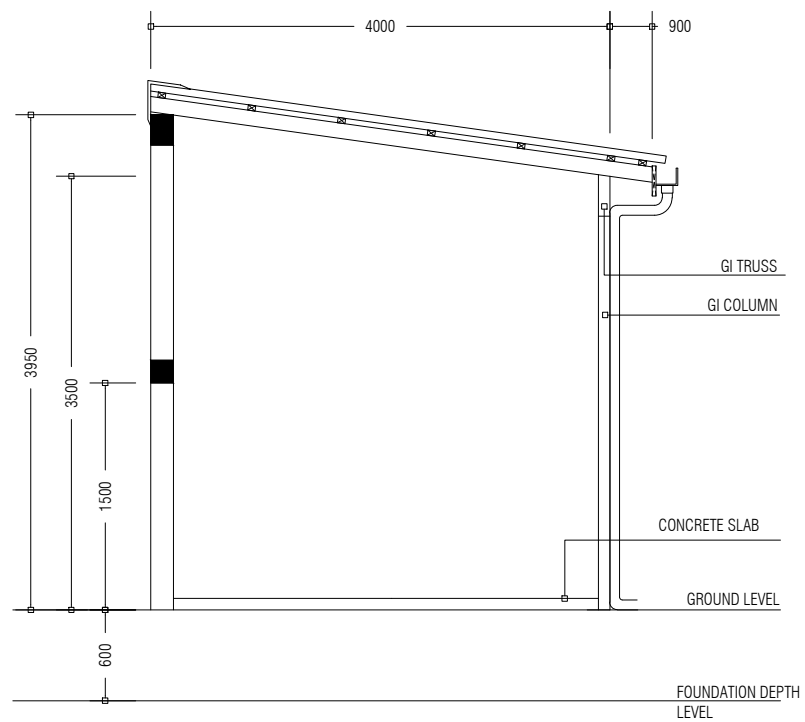
PROJECT	DESIGN BY		AMENDMENTS
CONSTRUCTION OF IWRMC TH.VANDHOO	AFRAZ		
TITLE	STRUCTURE BY		
ELECTRICAL PLAN	AFRAZ		
CLIENT DEPARTMENT	DRAWN BY		
WMPC DEPARTMENT	AFRAZ		
PAPER SIZE A3	SCALE	NTS	
PAGE NO. 08	DWG NO.	TVAN-A1-08	
	DATE	20.04.2021	



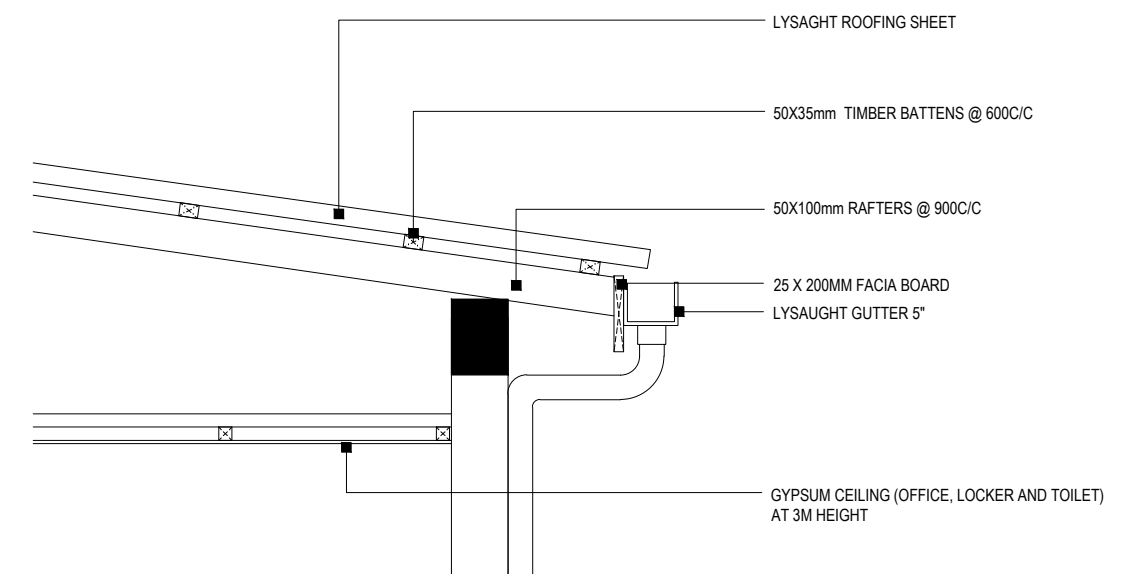
ORGANIC WASTE PROCESSING BUILDING SECTION



OFFICE / LOCKER BUILDING SECTION



INORGANIC WASTE PROCESSING BUILDING SECTION



ROOF DETAIL

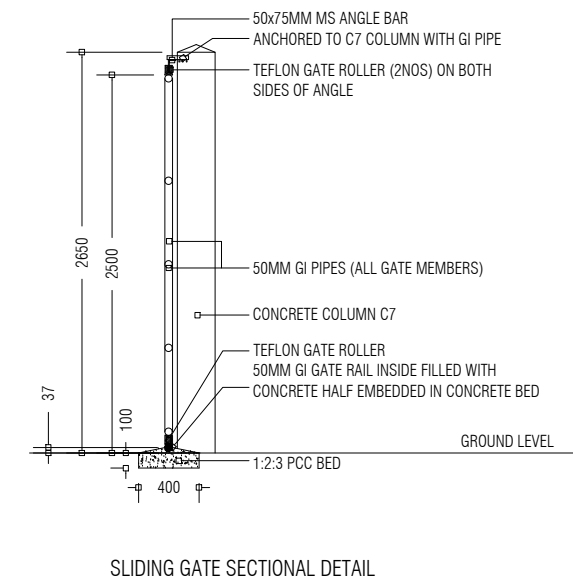
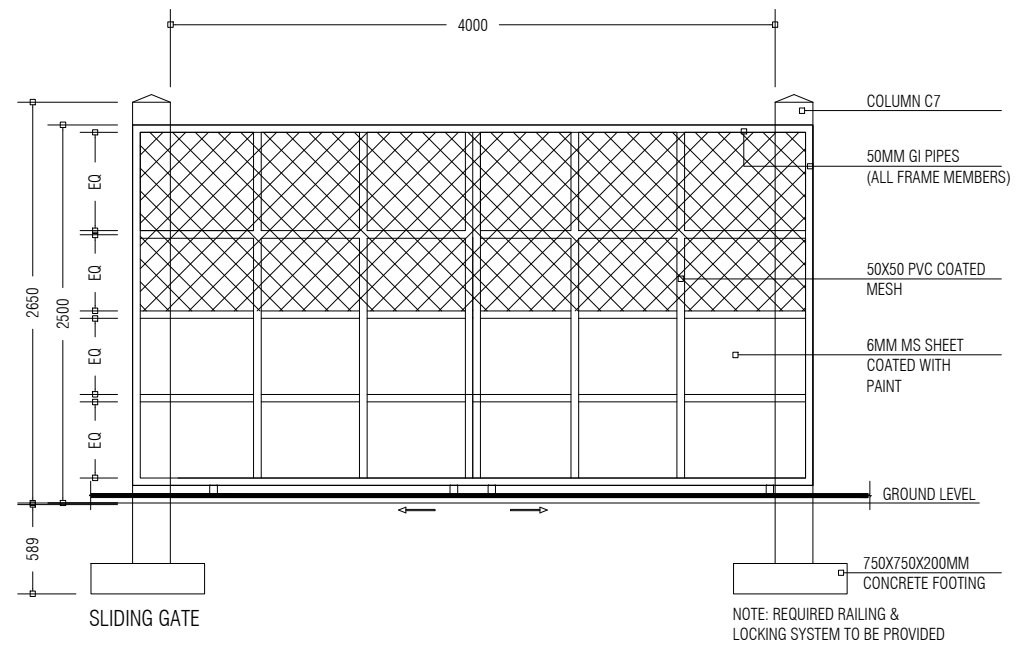
PREPARED BY



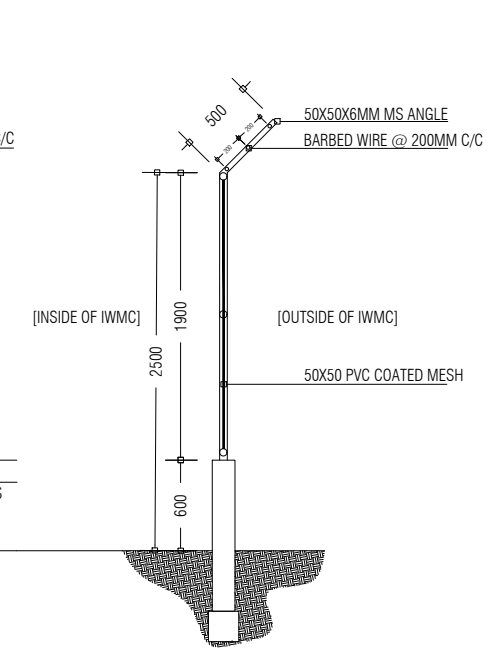
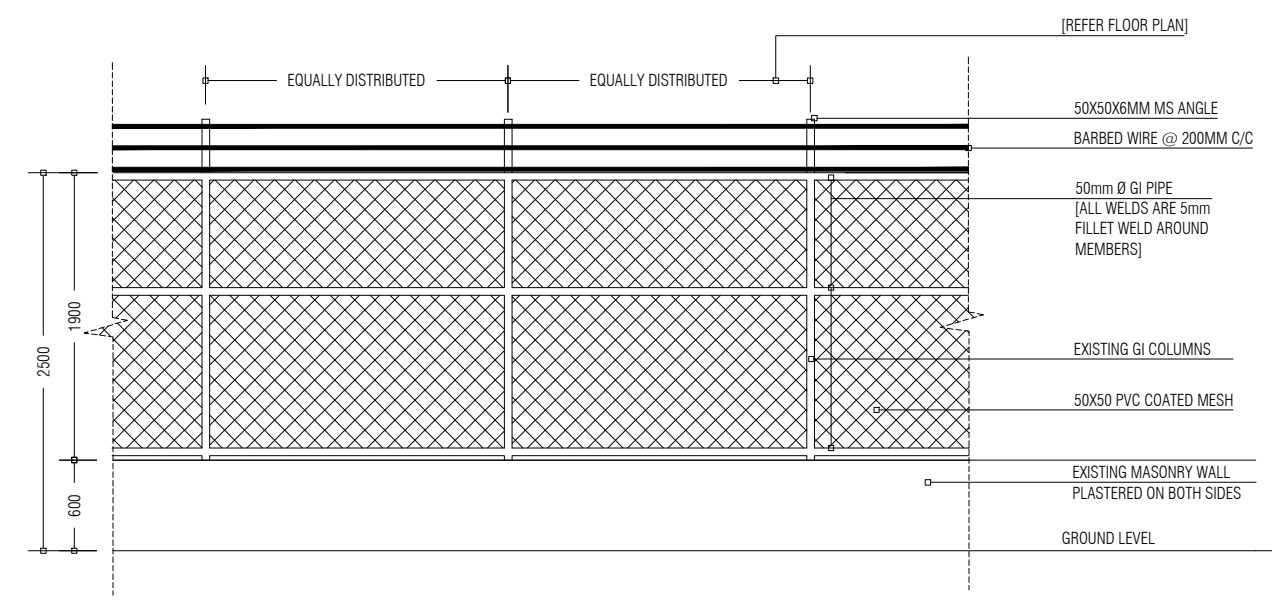
MCEP  
MINISTRY OF ENVIRONMENT  
GREEN BUILDING, HANDHUVAREE HIGUN,  
MAAFANNU, MALÉ (20392), REPUBLIC OF MALDIVES,  
TEL: +960-3018431, +960-3018300, FAX: +960-328301


PROJECT	DESIGN BY	
CONSTRUCTION OF IWRMC TH.VANDHOO	AFRAZ	
TITLE	STRUCTURE BY	
ELEVATIONS AND SECTIONS	AFRAZ	
CLIENT DEPARTMENT	DRAWN BY	
WMPC DEPARTMENT	AFRAZ	
PAPER SIZE A3	SCALE	NTS
PAGE NO. 09	DWG NO.	TVAN-A2-09
	DATE	20.04.2021

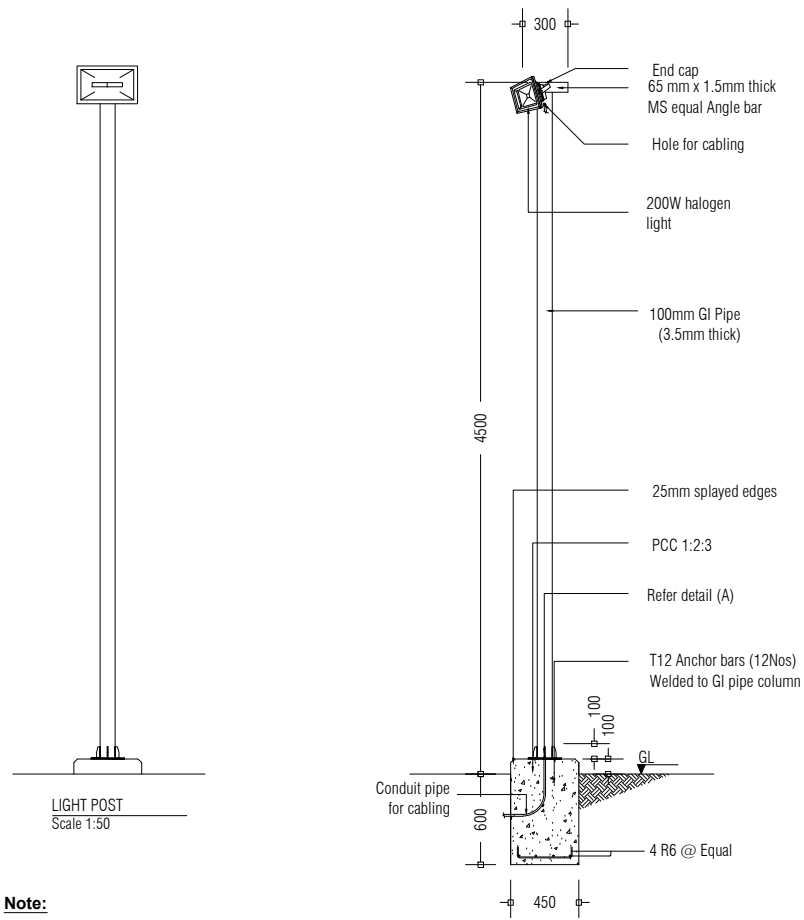
AMENDMENTS



NOTE:  
ALL WELDS FOR THE  
GI MEMBERS ARE  
5mm FILLET WELDS



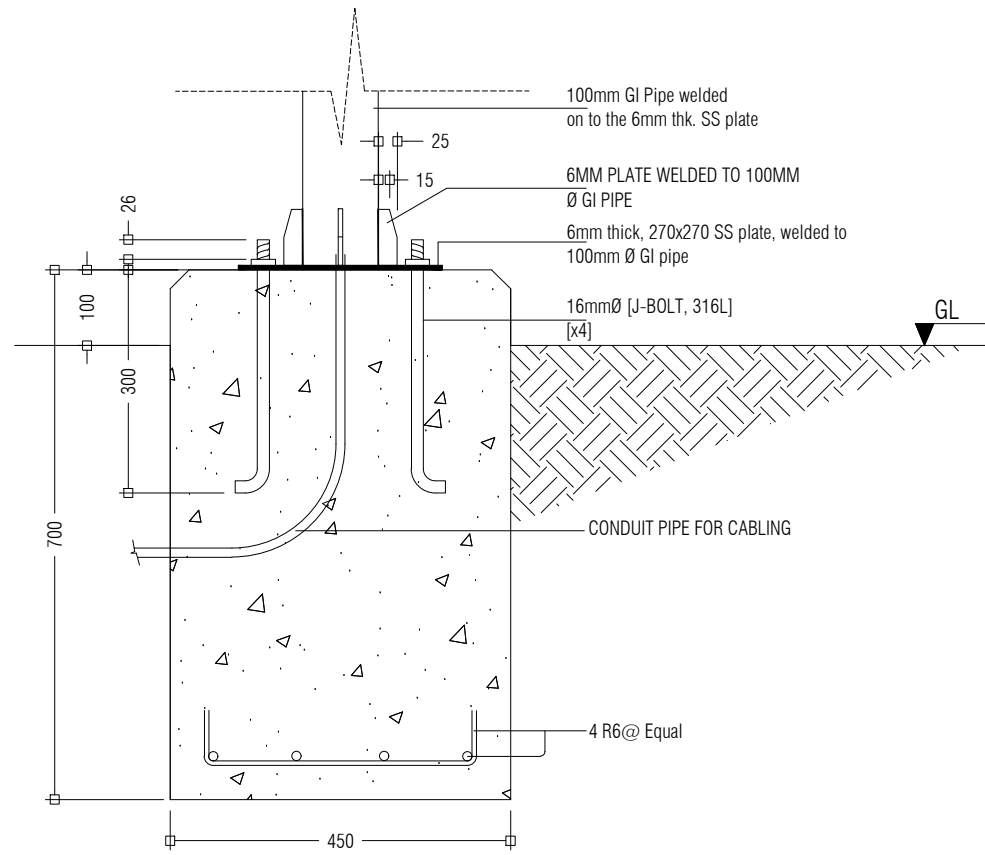
PREPARED BY	PROJECT	DESIGN BY	AMENDMENTS
 <p>MCEP MINISTRY OF ENVIRONMENT GREEN BUILDING, HANDHUVAREE HIGUN, MAAFANNU, MALÉ (20392), REPUBLIC OF MALDIVES, TEL: +960-3018431, +960-3018300, FAX: +960-328301</p>	CONSTRUCTION OF IWRMC TH.VANDHOO	AFRAZ	
	TITLE	STRUCTURE BY	
	ELEVATION AND SECTIONS: GATE DETAILS, FENCE DETAILS	AFRAZ	
	CLIENT DEPARTMENT	DRAWN BY	
	WMPC DEPARTMENT	AFRAZ	
	PAPER SIZE A3	SCALE	1:50
PAGE NO. 10	DWG NO.	TVAN-A2-10	
	DATE	20.04.2021	



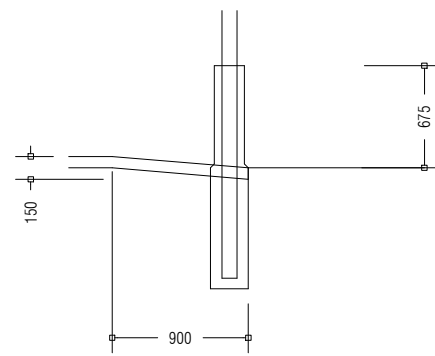
**Note:**

- \* Concrete cover: 50mm
- \* GI pipe to be painted with 1 coat of sealer & 2 coats of finishing paint. (Sigma or equivalent, maroon colour)

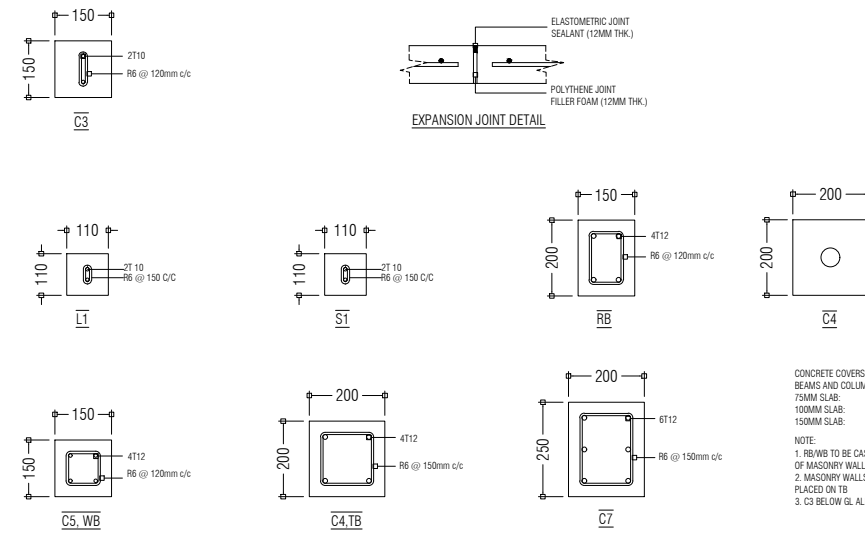
LIGHT POST DETAIL  
Scale 1:50



LIGHT POST FOUNDATION FOOTING DETAIL 1:10



DETAIL A: RAMP DETAIL 1:50



COLUMN, BEAM AND EXPANSION JOINT DETAILS 1:20

CONCRETE COVERS:  
BEAMS AND COLUMNS: 30mm  
75MM SLAB: 30mm  
100MM SLAB: 40mm  
150MM SLAB: 40mm

NOTE:  
1. RB/WB TO BE CAST ON TOP OF MASONRY WALLS  
2. MASONRY WALLS TO BE PLACED ON TB  
3. C3 BELOW GL. ALREADY CAST

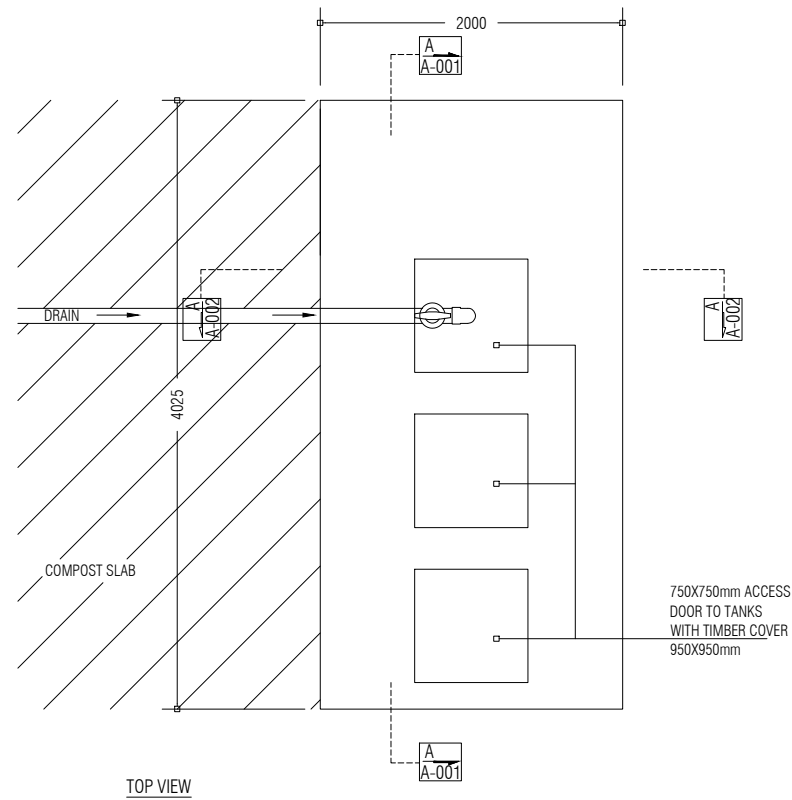
PREPARED BY

PROJECT	CONSTRUCTION OF IWRMC TH.VANDHOO
TITLE	STRUCTURAL DETAILS
CLIENT DEPARTMENT	WMPC DEPARTMENT
PAPER SIZE	A3
PAGE NO.	11

DESIGN BY	AFRAZ
STRUCTURE BY	AFRAZ
DRAWN BY	AFRAZ
SCALE	1:50, 1:20, 1:10
DWG NO.	TVAN-D1-11
DATE	20.04.2021

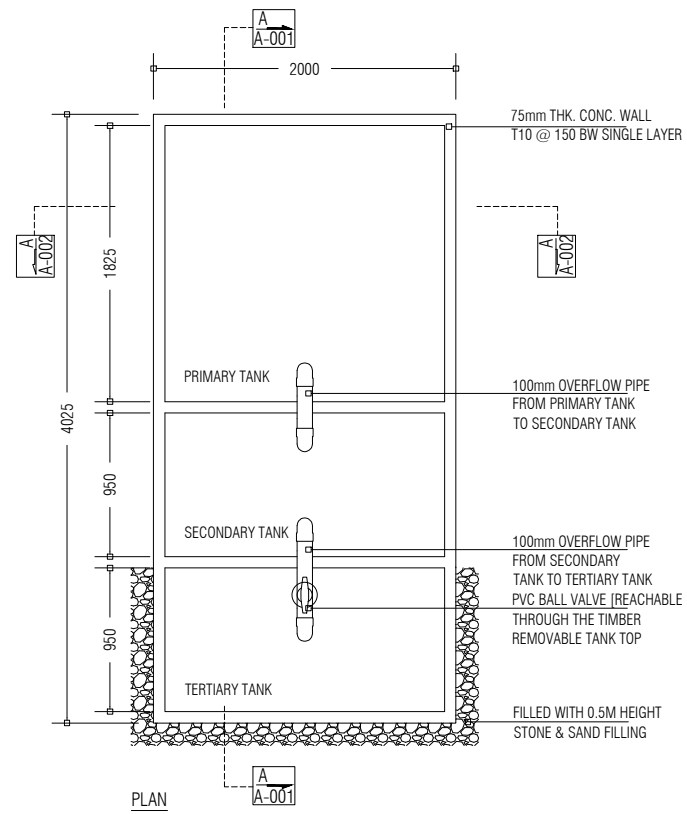
AMENDMENTS



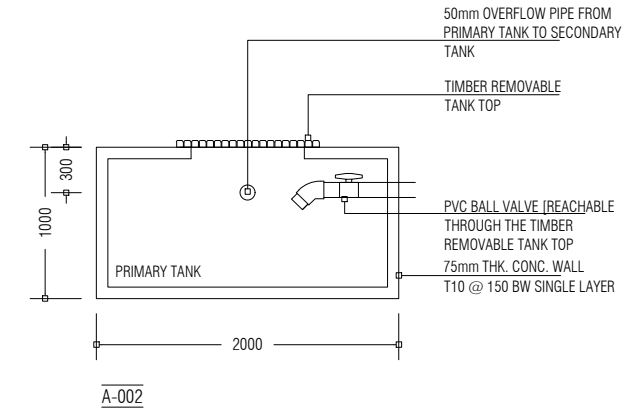


TOP VIEW

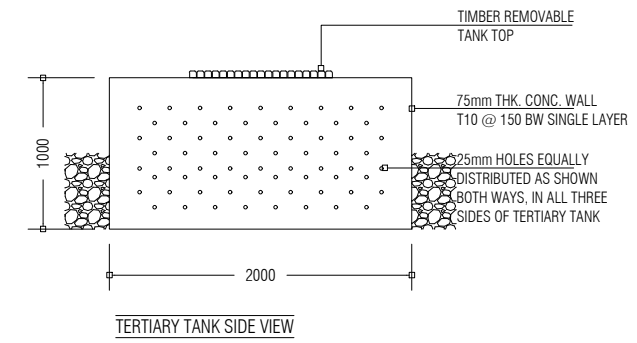
LEACHATE WELL



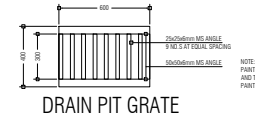
PLAN



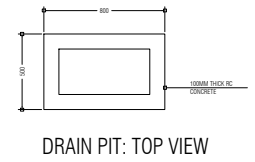
A-002



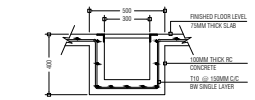
TERTIARY TANK SIDE VIEW



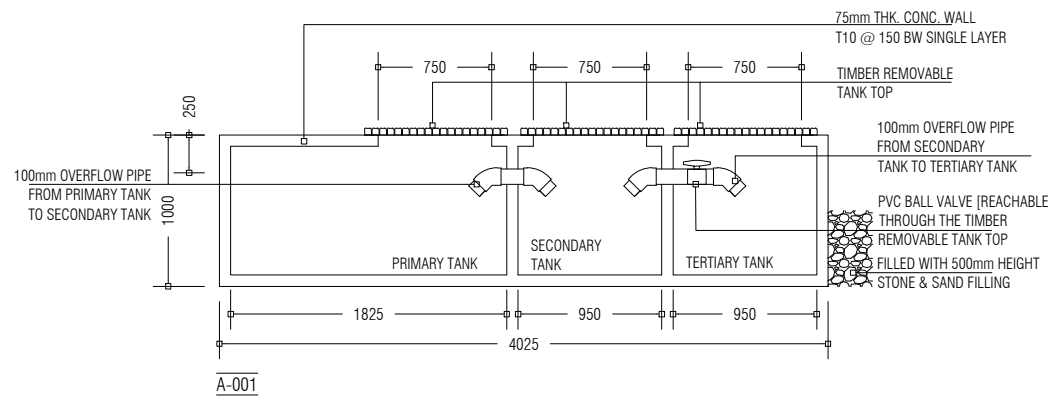
DRAIN PIT GRATE



DRAIN PIT: TOP VIEW

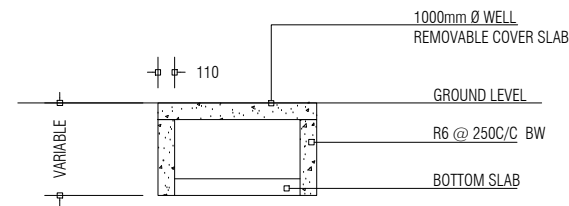


DRAIN PIT: SECTION VIEW

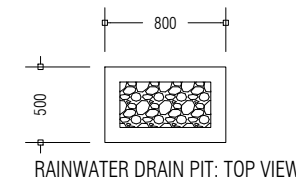


A-001

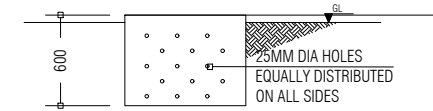
LEACHATE WELL



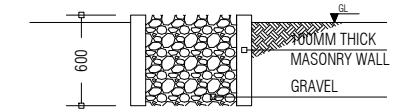
GROUND WATER WELL



RAINWATER DRAIN PIT: TOP VIEW



RAINWATER DRAIN PIT: SIDE VIEW



RAINWATER DRAIN PIT: SECTION VIEW

PREPARED BY

PROJECT

DESIGN BY

AMENDMENTS

CONSTRUCTION OF IWRMC  
TH.VANDHOO

AFRAZ

TITLE

STRUCTURE BY

LEACHATE WELL, GROUND WATER WELL, RAINWATER DRAIN PIT AND WASTE  
MANAGEMENT BUILDING DRAIN PIT DETAILS

AFRAZ

CLIENT DEPARTMENT

DRAWN BY

WMPC DEPARTMENT

AFRAZ

PAPER SIZE A3

SCALE

1:50

PAGE NO. 12

DWG NO.

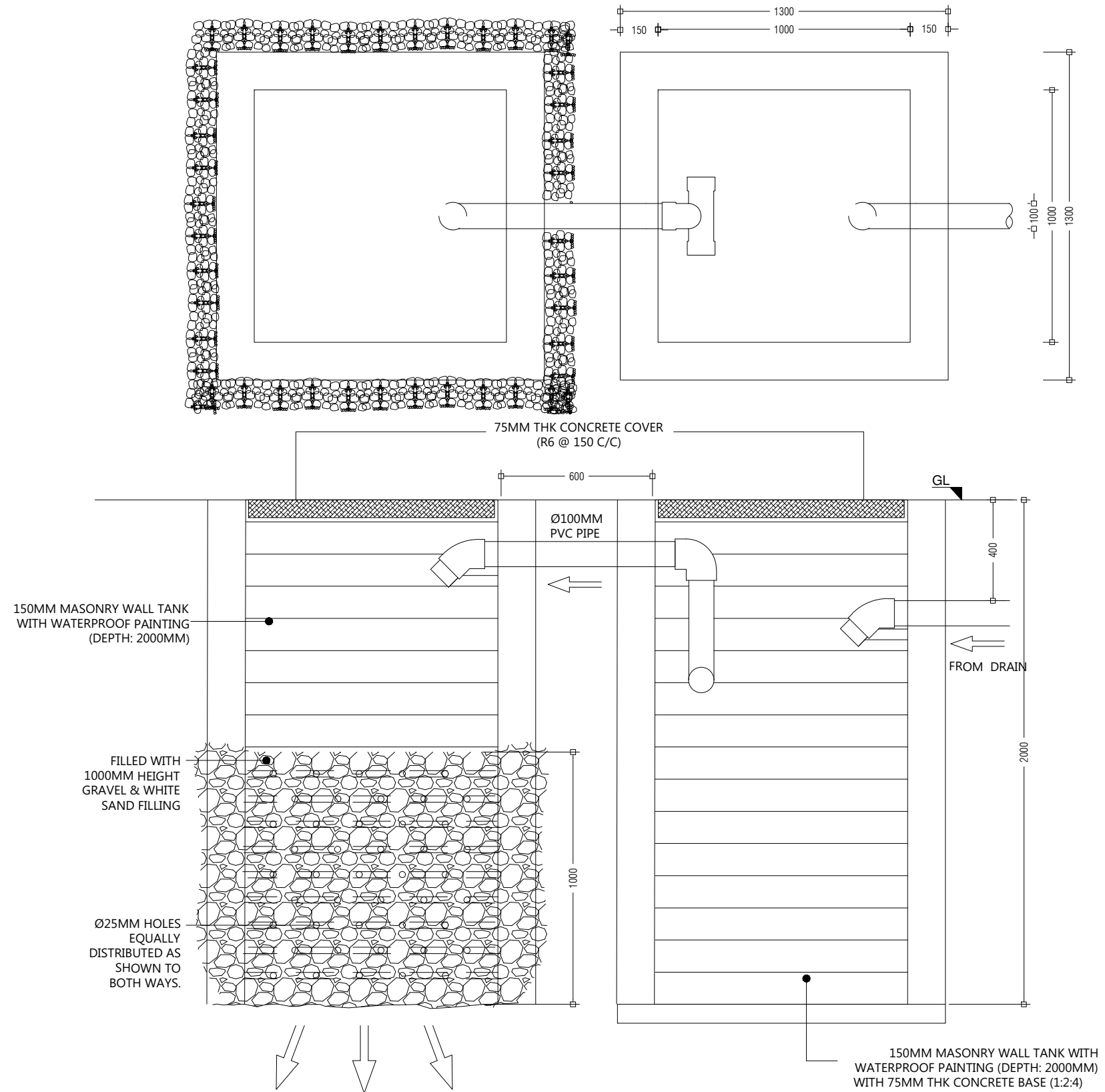
TVAN-D1-12

DATE

20.04.2021



MCEP  
MINISTRY OF ENVIRONMENT  
GREEN BUILDING, HANDHUVAREE HIGUN,  
MAAFANNU, MALE' (20392), REPUBLIC OF MALDIVES,  
TEL: +960-3018431, +960-3018300, FAX: +960-328301



PREPARED BY

PROJECT

DESIGN BY

AMENDMENTS

CONSTRUCTION OF IWRMC  
TH.VANDHOO

AFRAZ

TITLE

STRUCTURE BY

SEPTIC TANK DETAILS

AFRAZ

CLIENT DEPARTMENT

DRAWN BY

WMPC DEPARTMENT

AFRAZ

PAPER SIZE A3

SCALE

1:50

PAGE NO. 13

DWG NO.

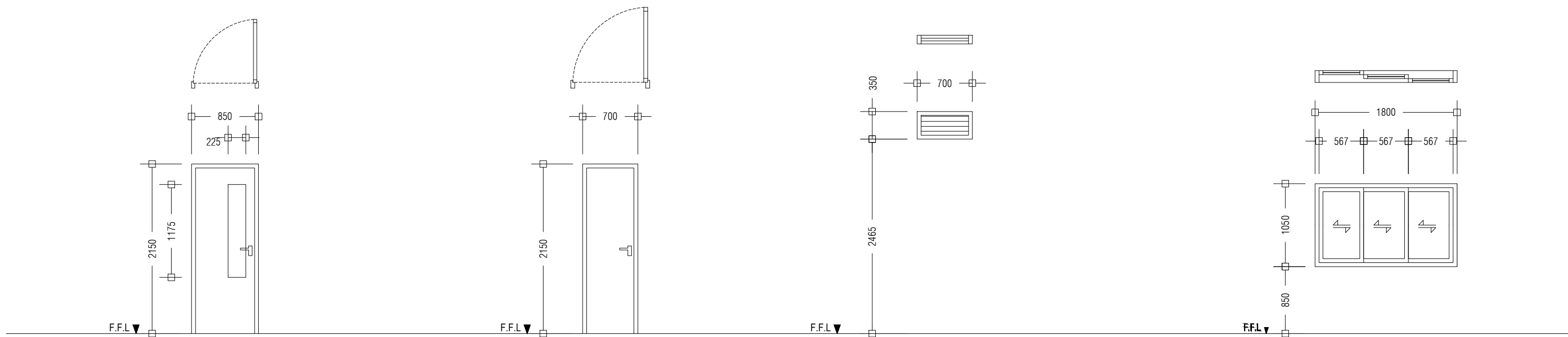
TVAN-D1-13

DATE

20.04.2021



MCEP  
MINISTRY OF ENVIRONMENT  
GREEN BUILDING, HANDHUVAREE HIGUN,  
MAAFANNU, MALÉ (20392), REPUBLIC OF MALDIVES,  
TEL: +960-3018431, +960-3018300, FAX: +960-328301

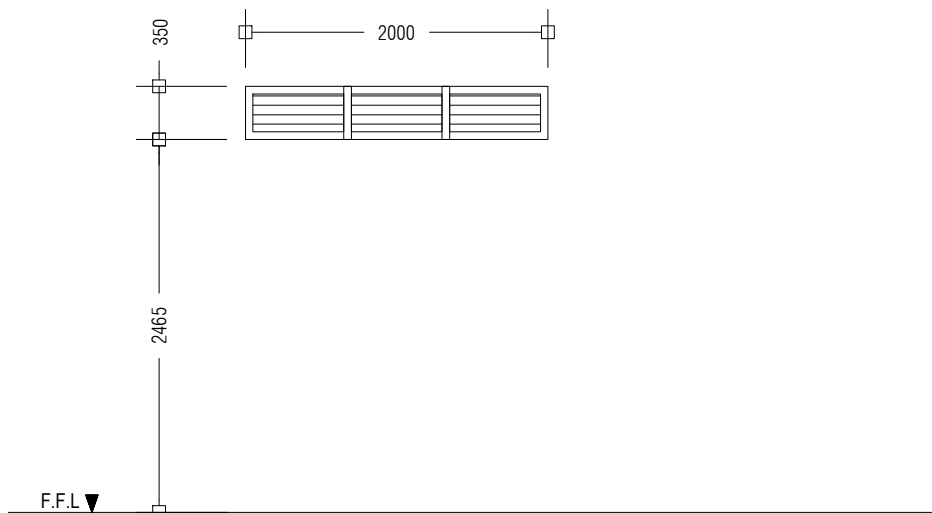


<b>D2</b>	SWING TYPE DOOR
REMARKS	ALUMINUM DOOR WITH CLEAR GLASS PANEL 01 DOOR KNOB WITH LOCK SET 04 HINGES DOOR STOPPER, FINISHED WITH WHITE COATED PAINT
LOCATION	GROUND FLOOR
QUANTITY	NO.S 04
OPEN AREA	1.83 m <sup>2</sup>

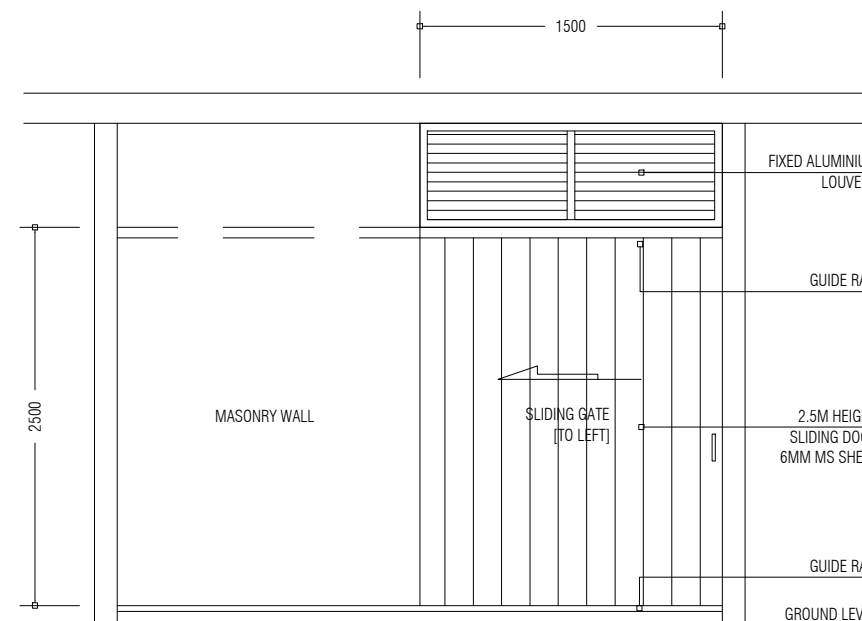
<b>D3</b>	SWING TYPE DOOR
REMARKS	ALUMINIUM DOOR WITH DOOR KNOB AND 1 LOCK SET 04 HINGES
LOCATION	GROUND FLOOR
QUANTITY	NO.S 01
OPEN AREA	1.51m <sup>2</sup>

<b>W1</b>	ALUNINIUM LOUVER WINDOW
REMARKS	ALUMINUM FRAMED, ALUMINIUM LOUVERED, FINISHED WITH WHITE COATED PAINT
LOCATION	GROUND FLOOR
QUANTITY	NO.S 2
OPEN AREA	0.25 m <sup>2</sup>

<b>W2</b>	ALUMINIUM SLIDING WINDOW
REMARKS	ALUMINUM FRAMED, TINTED BLACK GLASS, FINISHED WITH WHITE POWDER COATED PAINT
LOCATION	GROUND FLOOR
QUANTITY	NO.S 02
OPEN AREA	1.89 m <sup>2</sup>



<b>W3</b>	ALUNINIUM LOUVER WINDOW
REMARKS	ALUMINUM FRAMED, ALUMINIUM LOUVERED, FINISHED WITH WHITE COATED PAINT
LOCATION	GROUND FLOOR
QUANTITY	NO.S 1
OPEN AREA	0.75 m <sup>2</sup>



PREPARED BY

PROJECT  
CONSTRUCTION OF IWRMC  
TH.VANDHOO

DESIGN BY  
AFRAZ

AMENDMENTS



TITLE  
DOOR AND WINDOW SCHEDULE

STRUCTURE BY  
AFRAZ

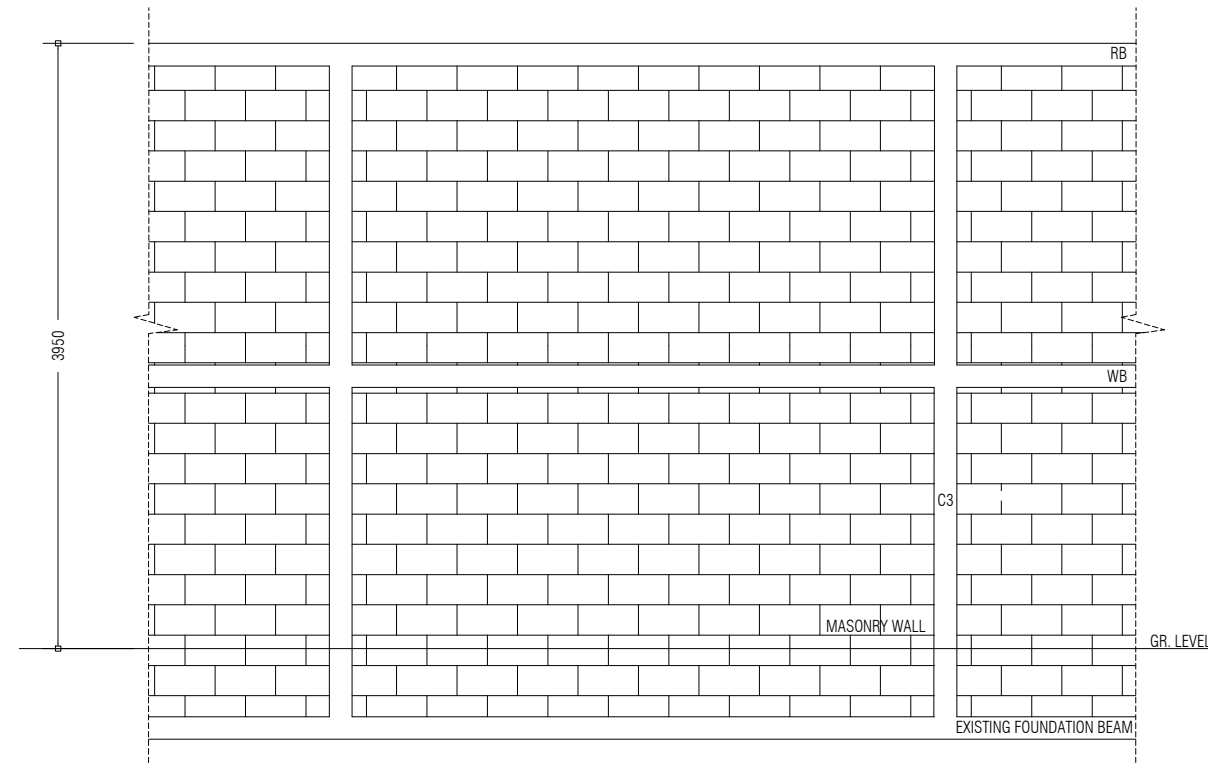
CLIENT DEPARTMENT  
WMPC DEPARTMENT

PAPER SIZE A3  
PAGE NO. 14

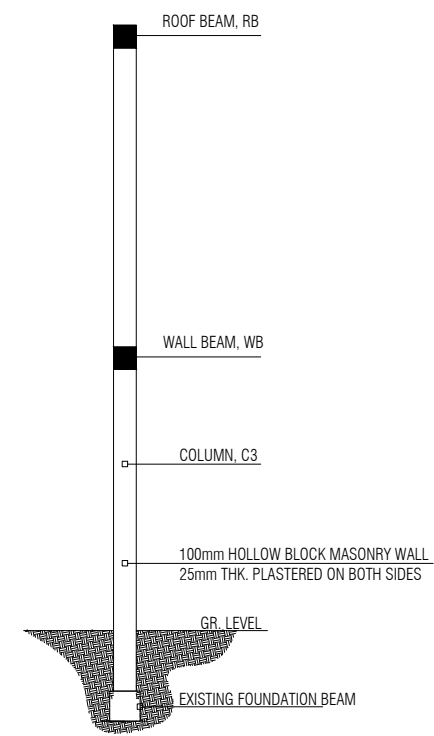
SCALE 1:50  
DWG NO. TVAN-A2-14  
DATE 20.04.2021

HAZADIOUS WASTE / STORE SD1





ORGANIC WASTE PROCESSING BUILDING: MASONRY WALL ELEVATION



WALL SECTION

PREPARED BY	PROJECT	DESIGN BY	AMENDMENTS
	CONSTRUCTION OF IWRMC TH.VANDHOO	AFRAZ	
	TITLE ELEVATION AND SECTIONS: 2.5 HIGH MASONRY WALL DETAILS	STRUCTURE BY AFRAZ	
	CLIENT DEPARTMENT WMPC DEPARTMENT	DRAWN BY AFRAZ	
	PAPER SIZE A3	SCALE 1:50	
	PAGE NO. 15	DWG NO. TVAN-A2-15	
		DATE 20.04.2021	