

# ENVIRONMENT AND SOCIAL MANAGEMENT PLAN

## Installation of 1.5 MW of Rooftop Solar Photovoltaic System at Hulhumale Island

Prepared by Development Advisory Services (DAS Pvt Ltd)  
April 4, 2016



## Table of Contents

Table of Contents .....	i
Executive Summary.....	ii
ސަބަބު ދިވެހިސަރުކާރު.....	iii
1 Project Brief .....	1
2 Introduction .....	2
3 Project Description.....	2
4 Legal requirements .....	2
5 Implementation Plan .....	3
6 Environment and Social Management Plan.....	3
6.1 Potential Impacts .....	3
6.1.1 Noise pollution .....	3
6.1.2 Chemical pollution .....	3
6.1.3 Light or heat reflection .....	4
6.1.4 Impacts on Biodiversity.....	4
6.1.5 Waste .....	4
6.1.6 Occupational Health and Safety.....	4
6.1.7 Social impacts.....	4
6.2 Management Plan.....	5
6.3 Monitoring Plan .....	9
7 Grievance Mechanism .....	10
8 Consultants Declaration.....	15
9 Community consultations .....	16
10 Implementation Plan .....	17
11 Layout Drawings.....	18
Annex A. Grievance Redress Mechanism – Dhivehi Translation.....	19
ދިވެހިސަރުކާރުގެ ސަރުކާރުގެ ސަރުކާރު.....	19

## **Executive Summary**

This environment and social management plan is established to minimize the environmental damages and social issues for the project to be carried out in Hulhumale for the installation of 1.5 MW of solar panels.

Under the policy of Maldives becoming a low emission nation, the Ministry of Environment and Energy is implementing a program "Scaling up of Renewable Energy Program" (SREP). Under the SREP one of the components is to install 4MW of renewable energy in the greater Male' region including Male', Hulhumale', Villingili and Thilafhushi. 1.5 MW of solar PV is to be installed in Hulhumale'. This 1.5 MW is planned to be installed on the rooftop of 1000 housing units. 5976 modules are planned to be installed with 250 watts each. The project will be implemented by Hulhumale Renewable Energy Company Pvt Ltd a joint venture formed by China Machinery Engineering Corporation (CEMEC) and Graess Solartechnik Schwiz.SA (Switzerland). An Implementation Agreement (IA) with Government and Power Purchasing Agreement (PPA) with STELCO has been signed. A roof lease agreement with HDC is to be signed.

The major impacts that is envisaged would be during the installation. The noise pollution during the installation period, access to the facilities, management of waste and heat up of the modules are some of the major issues which has to be dealt with during the installation. Another issues of concern are the possible structural damages which might occur in addition to the damages the building have. As mitigation measures, a proper structural assessment of the existing structure is proposed and construction works are to be carried during the daytime. To manage the waste during construction and during operation, the waste management principle of the HDC are to be strictly followed. Should there be any fault during the construction and during the operation of the system, a 3 tier grievance mechanism is proposed to find an amicable solution should there be any.

\*\*\*\*\*

1.5 MW Rooftop Solar Photovoltaic System

1.5 MW Rooftop Solar Photovoltaic System Installation in Hulhumale'.

1.5 MW Rooftop Solar Photovoltaic System Installation in Hulhumale'.

1.5 MW Rooftop Solar Photovoltaic System Installation in Hulhumale'.

1.5 MW Rooftop Solar Photovoltaic System Installation in Hulhumale'.

1.5 MW Rooftop Solar Photovoltaic System Installation in Hulhumale'.



## 1 Project Brief

**Project Name:** Installation of 1.5 MW of Rooftop Solar Photovoltaic System at Hulhumale Island

**Project Location:** Hulhumale Island

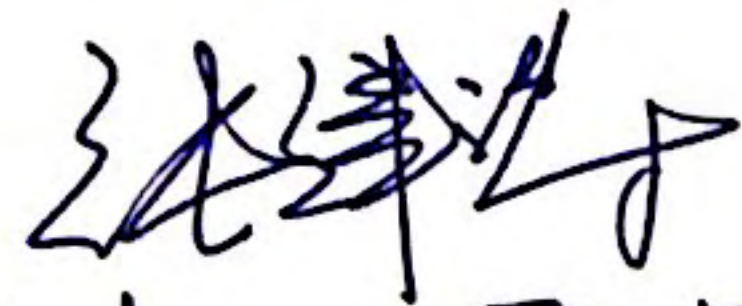
**Consultants:** Ali Shareef (EIA consultant, EIA 19/11)

Zammath Khaleel (Energy systems)

**Proponent:** Hulhumale Renewable Energy Company Pvt Ltd

**Proponent Signature:**

**Date:**



Zhang Jianta  
Managing Director

28.12.2016.

## 2 Introduction

Accelerating Sustainable Private Investment in Renewable Energy (ASPIRE) is part of the Maldives Scaling-Up Renewable Energy Program (SREP) which aims to encourage private sector involvement in the renewable energy sector of the Maldives. The first phase ASPIRE involves installations 1.5MW of rooftop PV in Hulhumale'. This phase will be implemented by Hulhumale Renewable Energy Company Pvt Ltd a joint venture formed by China Machinery Engineering Corporation (CEMEC) and Graess Solartechnik Schwiz.SA (Switzerland).

Roofs and common areas of the social housing unit in Hulhumale is owned by Hulhumale Development Corporation until tenants of individual units make the full payment. Payments to individual units are made on a monthly basis and individual units can be owned by the tenants, shortest within 10 years and longest within 25 years from the date of signing the agreement.

## 3 Project Description

Scaling up Renewable Energy Programme (SREP) is a Climate Investment funded project to transform the electricity generation sector in Maldives. SREP is implemented in two parts, one is Accelerating Sustainable Private Investments in Renewable Energy (ASPIRE) administered through World Bank and Preparing Outer Islands for Sustainable Energy Development (POISED) administered through Asian Development Bank (ADB).

ASPIRE considers to develop projects conducive of private sector investments and it aims for a 20 MWp of solar PV investment in Male' City. ASPIRE also aims to increase the private sector participation in investing in renewable energy in Maldives. ASPIRE is planned to be carried out in a phased approach. In the first phase 4 MWp solar PV is being considered on design, build, finance, own, operate and transfer (DFBOOT) model.

This sub-project involves installation of 1.5 MW rooftop solar PV on rooftop of "1000 housing" blocks in Hulhumale. This is 1.5 MW from the planned 4 MW. The government invited interested parties for proposals for this project on 12th April 2015. The proposal submitted by China Machinery Engineering Corporation (CEMEC) and Graess Solartechnik Schwiz.SA (Switzerland) was selected on 10th September 2015.

Framed glas-glas modules of 250W with Sungrow SG20KTL inverters will be used. In total, 5976 PV modules (1.494 MW) with 83 inverters will be installed. In addition, 83 electric meters and 35 monitoring units will be put in place.

## 4 Legal requirements

The project was followed by the signing of Implementation Agreement (IA) with Government and Power Purchasing Agreement (PPA) with STELCO on 15th October 2015. The project was proposed to be implemented on the rooftops of 37 social housing blocks in Hulhumale. A Roof Lease Agreement is to be signed between the contractor and Hulhumale Development Corporation (as the current owner of the roof). These three agreements (Implementation Agreement, Power Purchasing Agreement and Roof Lease Agreement) outlines the terms, conditions and rights of all the parties involved and is considered binding. Should there be any legal issues, these agreements would be referred to.

## 5 Implementation Plan

The installation of the panels is scheduled to start on 27 June 2016 and to be completed within 14 weeks. Commissioning and testing is scheduled to start on the 13 week (19 September 2016). Summary of the implementation plan is provided below.

- Detailed measurement of the roof areas and cable runs would be carried out.
- Site survey for potential interconnection between houses will be carried.
- Adjustment of planning documents as per the requirements of the ministry and the standards.
- Manufacturing of the materials
- Delivery and site setup
- Installation and site clearance
- Commissioning and testing

Details of the schedule and the implementation plan is attached in the annex.

## 6 Environment and Social Management Plan

The environment management plan is a tool used to integrate environmental safeguards into a development project. The plan described below, is tailor made to minimize the impacts from the project, based on the nature of the work and the surrounding environment.

### 6.1 Potential Impacts

The project involves installation of rooftop solar PV in an already developed urban environment. There is little to no maintenance required for solar PV and the components of the systems are mostly chemically inert ruling out the potential of it being a source of contaminant to the environment. The only foreseeable negative environmental impact would be due to the installation activities carried out. In addition to environmental impacts, as the installations are done in residential area, there is likely going to be social implication. These environment and social issues that are likely to arise are listed out below;

#### 6.1.1 Noise pollution

Although there is no noise emissions from operation of rooftop solar PV, the construction stage may involve increased noise due to the heavy machineries used. As the installation is happening in residential blocks where already people are living the impact of noise could prove disruptive for their daily life.

#### 6.1.2 Chemical pollution

Chemical pollution is generally not associated with use of solar panels. However, it is important to note that chemical like cadmium is used in manufacturing of certain photovoltaic modules (thin film solar cells). This issue has also been raised in the consultations in which one tenant raised an objection citing the harmful materials that make up solar panels (refer Annex). However, these chemicals are not used for manufacturing mono- and poly-crystalline PV. Therefore risk of contamination from these specific harmful chemicals is non-existent. However, as Solar PV installation have electronic components to it, solar PV waste is considered as hazardous E-waste. This is a concern during decommissioning and disposal of the PV.



### 6.1.3 Light or heat reflection

The surface of solar PV is smooth and reflective and can reflect light the neighboring building based on the tilt of the panel and time of day. If such a reflection affects nearby buildings and neighbors it is likely to become a source of grievance. It is also important to note that the reflection of light from the PV could also pose an issue for the airplanes that operate to the nearby Ibrahim Nasir International Airport. However this could be easily rectified by keeping the tilt of the solar PV small and providing proper information with the airport authorities.

In addition to reflection, the dark texture of solar PV increasing the heat absorption can lead to slight increase in temperature on the roof.

### 6.1.4 Impacts on Biodiversity

As this is a newly developed urban area developed on reclaimed land, there is little natural vegetation in the area. And it is envisaged that there would be no requirements to clear any vegetation for the access of machinery and installations.

### 6.1.5 Waste

Most of the waste is likely to be generated in the installation and the decommissioning of the system. During the installation process, environmentally hazardous waste such as oil, fuel and paint, are generated that needs to be taken special care of.

At decommissioning, the panels become waste. As mentioned earlier these are considered e-waste and should be treated as a hazardous waste. At present there is no special treatment or facilities for e-waste in the Maldives. Until such an option is available these waste should be contained and stored. A temporary storage facility for this e-waste should be establish with guidance from MEE.

### 6.1.6 Occupational Health and Safety

Installation works require workers to operate on the roof with heavy equipment. There is always the risk of accidents during such a work. Contractor must ensure that all workers are provided and equipped with fully functional personal protective and safety equipment. The contractor must ensure that heavy duty equipment such as cranes and winches are safe with regular inspection.

There is also risk to the pedestrians and people living in the building from the anything falling from the roofs during project. Thus, the tenant must be informed appropriately in addition to setting up safety nets. Similarly, it would be important to regularly monitor for any structural damage on the buildings during the project time frame.

As this involves electrical works, there is risk of fire during the installation and operation of solar PV. Therefore, contractor should ensure fire safety procedures and equipment are in place as well as inform the tenants of the fire safety plans.

### 6.1.7 Social impacts

Social issues are likely going to be a key issue for this sub-project. As there are people living in the sites identified, it is going to adversely impact the tenants during the installations. The tenants have already raised concern regarding the impact it would have on the structure and safety of the building. They have existing grievances regarding the quality of the building and the maintenance work done. Their grievances are likely to increase during the construction due to different impacts highlighted above. And it is

important to address this in a systematic manner and provide clear information to the tenants about the project and its work schedule.

Another issue raised was regarding the roof ownership. Although roof is owned by HDC at the moment, as per the agreement this ownership will be transferred to the tenants when all tenants of a particular block completes the payments for the apartments. This is due to happen between 10-25 years depending on the tenant agreement. The PPA with STELCO and the lease agreements with HDC should address this potential legal issue.

On the positive side, local contractors will be used during the installation. Although this will be during the construction period, this will provide temporary job opportunities.

## 6.2 Management Plan

As described above the expected environmental impact due to the project is minimal. But due to the social issues identified, it is important to manage these issues tactfully. The following management plan is to ensure that the impact remains minimal. The mitigation actions identified in this plan would need to be implemented at different stages or times. This includes ;

1. Before Construction phase
2. During the construction phase
3. Operational period phase

There are some mitigation activities identified in the plan may span for more than 1 phase, and these have been indicated in the table below.



Mitigation Action	Impact of mitigation	Responsible party	Approx. cost (USD)	Timeline	Additional Remarks
Ensure suppliers comply with ISO or other best practice standard.	Minimize emission in supply chain and provides appropriate information required for waste and pollution management	Contractor	N/A	Before construction	Completed through the bidding process
Conduct a structural assessment of buildings selected for PV installation to assess if modules can be handled on the structures	Help reduce social grievances as well as ensure safety of tenants and workers alike	Contractor	15,000	Before construction	Assessment is on going at the time of this reporting
Wide dissemination of information of the project	Help reduce social conflict and ensure positive economic and livelihood impacts	MEE/HDC/Contractor	500	Before construction	Basic information of project already provided to tenants in writing
Community Consultation with the tenants of blocks selected and brief about the work schedule and associated grievance redress mechanism before start of work	Help reduce social conflict and ensure safety	MEE/HDC/Contractor	500	Before construction	
Avoid roof slopes that could reflect light to neighbor's door, window or balcony.	Help reduce social conflict and heat and light reflection	Contractor	N/A	Before construction	This could be assessed during the structural assessment
Undertake installation activities during daytime	Minimize the impact of noise and emissions from implementation. Increases safety	Contractor	N/A	During construction	
Install screens where appropriate to prevent light reflection to neighbor's window, door and balcony	Minimize light and heat pollution.	Contractor	Included in the contract	During construction	Before the installation of the PV panels
Disseminate information about work schedule	Reduce noise, social conflict and ensure safety	MEE/HDC/Contractor	500	During construction	Before starting the installation work

*Environment and Social Management Plan for Installation of 1.5 MW Rooftop Solar Photovoltaic System in Hulhumale'*

Display on site the contact details of the focal point for the grievance redress mechanism	To reduce social conflict	Contractor	N/A	During construction	Before starting the installation work
Implement safety measures for high rise installation, which includes safety nets to prevent falling debris, appropriate warning signs (including closing off areas for public safety) and use of all necessary protective gears at all times	Ensure health and safety	Contractor	Included in the contract	During construction	Before start of any high rise work
Dispose waste generated to an approved waste management site at Hulhumale (Hulhumale Waste management site). The waste from the packaging and construction waste must be treated separately from the domestic waste generated by the workers.	Reduce waste and pollution	Contractor	Included in the contract	During construction	This should be carried at the end of each working day
Undertake maintenance activities during daytime	Minimize the impact of noise and emissions from implementation. Increases safety	Contractor	Included in the contract	During operational period	
Install screens where appropriate to prevent light reflection to neighbors window, door and balcony if a new building comes up during its operation	Minimize light and heat pollution.	Contractor		During operational period	After inspection or receipt of complaint
Disseminate information grievance redress mechanism including displaying the contact details of the focal point on site	Reduce social conflict	MEE HDC Contractor	500	During construction and operational period	Before starting the installation work

*Environment and Social Management Plan for Installation of 1.5 MW Rooftop Solar Photovoltaic System in Hulhumale'*

Implement safety measures for high rise work during maintenance, which includes safety nets to prevent falling debris, appropriate warning signs and use of all necessary protective gears at all times	Ensure health and safety	Contractor	Included in the contract	During operational period	Before start of any high rise work
Dissemination of information on project performance (e.g. electricity produced via PV and avoided emissions – preferably via visual display)	Positive impact on economy and livelihood	MEE	N/A	During operational period	This could be displayed at the housing blocks entrance or carpark
Have storage facility for decommissioned and/or damaged solar PV and establish ways to either recycle or safely dispose of the waste	Reduce waste and pollution	Contractor	Included in the contract	During construction and operational period	To be established before the installation of the PV

### 6.3 Monitoring Plan

In order to ensure the suggested management plan is undertaken and the objectives of the project is being achieved, the contractor is to devise and follow a monitoring plan. Following table is the suggested monitoring plan identifying the indicators to measure and the frequency at which monitoring activity has to be undertaken. Monitoring report shall be submitted to MEE monthly during the construction and every 6 months after project goes into operation.

<b>Impact</b>	<b>Indicator</b>	<b>Source of Information</b>	<b>Monitoring Frequency</b>
Health and safety	Structural integrity of housing blocks selected for PV installation	Contractor (structural assessment report)	Once before the mobilizing
Air Emissions	Reduction in greenhouse gas emissions caused by the project	STELCO	Monthly / Annual after commissioning
Noise Emissions	Noise intensity and duration during implementation	Contractor, Third Party Monitoring	Daily during implementation
Heat or Light reflection	Number of complaints on heat and light reflection	Contractor	On complaint basis
Chemicals	Details on the type and number of PV by manufacturer and supplier	Contractor	Once before the mobilizing
Health and safety	Reports of occupational health injuries and accidents or any infringement to on occupational health rules and regulations or policy	Contractor	Daily during implementation and whenever maintenance is under taken
Waste Management	Quantity of waste produced and taken to waste management site	Contractor	Daily during implementation
Social impacts	Number of grievances lodged	Contractor	Daily during implementation and on request-basis during operation

## 7 Grievance Mechanism

Should there be cases for grievance, a potential grievance mechanism is suggested as follows. This includes 3 tiers of addressing the grievances. Every effort shall be given to find an amicable solution before higher tiers could be engaged.

The grievance redress mechanism for first phase of ASPIRE project is based on the Environmental and Social Management Framework (ESMF) prepared for the project and the specific consultation undertaken with Housing Development Corporation (HDC). This grievance redress mechanism is prepared specifically for the first phase of the project where 1.5 MW photovoltaic panels are proposed to be installed in 37 blocks of the 1000 housing units in Hulhumale'.

Tiers of Grievance Mechanism	Nodal Person for Contact	Contacts, Communication and Other Facilitation by Project	Timeframe to address grievance
<b>First Tier: HDC</b>	HDC will be the first point of contact. Designated contact persons should be established within the HDC.	<ul style="list-style-type: none"> <li>• In HDC and the project site there will be an Information Board listing the names and contact telephones/emails.</li> <li>• Grievances can be registered by contacting HDC directed to the contact person(s) or by submitting a letter of complaint addressed to the Managing Director of HDC or by filling a Tier I Complaint Form. For those who cannot properly write, the HDC staff will fill a Complaint Form and get it signed by the aggrieved party.</li> <li>• The form must be available online on the MEE website and from the website of HDC. A copy of the form must be provided as a receipt to the aggrieved person at the time of submission. The form will be prepared, produced and supplied to HDC by MEE.</li> <li>• HDC must screen the grievance to determine if the issues and concerns raised in the complaint falls within the mandate of the ASPIRE program. HDC staff should inspect the site to determine what the issue is and to determine whether the complaint is directly related to ASPIRE project. This investigation and immediate action should be taken, within a maximum of 24 hours of reporting for emergency issues related to the project. For the purpose of this project, incidents of fire and water leakages from the roof are considered as emergency issues. And within a maximum of 02 working days for all other issues.</li> </ul>	Maximum 12 working days

Tiers of Grievance Mechanism	Nodal Person for Contact	Contacts, Communication and Other Facilitation by Project	Timeframe to address grievance
		<ul style="list-style-type: none"> <li>• If it is related to ASPIRE project HDC should inform the aggrieved party in writing how the case will be processed as per this grievance mechanism. This communication should occur verbally within 03 working days of receiving the complaint.</li> <li>• Alternatively, if it is not related to ASPIRE project HDC should inform the aggrieved party that it is not related to ASPIRE project in writing and should inform how the case will be handled. This communication should occur within 03 working days of receiving the complaint.</li> <li>• Where the grievance is related to ASPIRE project and where it involves repair. A joint site inspection involving HDC and the Lessee should be undertaken to confirm and verify if the issue is related to ASPIRE project or not.</li> <li>• Where it is confirmed that the issue is related to ASPIRE project through the joint inspection, HDC should inform Lessee to attend the issue and undertake repair immediately.</li> <li>• If issues are not attended within 24 hours for emergency issues and within 02 working days for all other issues, HDC will undertake the repair themselves and will bill to Lessee for the works that they have undertaken.</li> <li>• If the repairs are to be undertaken inside an apartment, details of how and when the repairs will be undertaken shall be communicated to the aggrieved party.</li> <li>• Where the grievance is related to ASPIRE project but is not related to repair/damage issues, HDC should come up with a solution either by (i) discussing internally; (ii) joint problem solving with the aggrieved parties and the Lessee or; (iii) a combination of both options.</li> <li>• HDC should communicate the final decision, in terms how the grievance was handled to the aggrieved party within 12 working days of receiving the complaint.</li> </ul>	



Tiers of Grievance Mechanism	Nodal Person for Contact	Contacts, Communication and Other Facilitation by Project	Timeframe to address grievance
		<ul style="list-style-type: none"> <li>The aggrieved party must acknowledge the receipt of decision and submit their agreement or disagreement with the decision within 10 days.</li> <li>If no acknowledgement is submitted from the aggrieved party then the decision will be considered as accepted.</li> </ul>	
<p><b>Second Tier:</b> Ministry of Environment and Energy</p>	<p>For ASPIRE Projects, MEE will forward the grievance to the Project Management Unit (PMU) of the Ministry.  Environment and Social Safeguards officer at the PMU will be the contact person in processing a grievance through the Second Tier</p>	<ul style="list-style-type: none"> <li>Where the aggrieved party is not happy with the outcome of the decision by HDC or where the grievance is not resolved within 12 working days the grievance can be upgraded to tier 2.</li> <li>Grievances can be registered by contacting MEE (directed to the contact person(s) or by submitting a letter of complaint addressed to the Minister of Environment or by filling a Tier 2 complaint form. For those who cannot properly write, the MEE staff will fill a complaint form and get it signed by the aggrieved party</li> <li>Grievances can be registered by contacting MEE (directed to the contact person(s) or by submitting a letter of complaint addressed to the Minister of Environment or by filling a Tier 2 complaint form. For those who cannot properly write, the MEE staff will fill a complaint form and get it signed by the aggrieved party</li> <li>Ministry will forward all the grievances related to ASPIRE to the Project Management Unit</li> <li>The aggrieved party must submit a copy of the decision from HDC and the letter submitted to HDC raising their disagreement to decision or where a decision was not made within 12 working days a copy (letter or form) of the initial complaint made to HDC. The grievance will be processed only once these documents are submitted</li> <li>Ministry will forward all the grievances related to ASPIRE to the Project Management Unit.</li> </ul>	<p>Maximum 15 Working Days</p>

Tiers of Grievance Mechanism	Nodal Person for Contact	Contacts, Communication and Other Facilitation by Project	Timeframe to address grievance
		<ul style="list-style-type: none"> <li>• PMU will screen the grievance to determine if it is related to the ASPIRE project. If it is unrelated, the aggrieved party must be notified within 07 working days in writing and the way forwarded must be outlined to them including the necessary government institutions to follow up.</li> <li>• Environment and Social Safeguards officer at the PMU will be the contact person in processing a grievance through the Second Tier.</li> <li>• If required, the MEE must arrange a public meeting to address the tier 2 grievance and notify the nature of the grievance and the meeting venue to the aggrieved party.</li> <li>• MEE may also visit the site and hold onsite discussions and meetings.</li> <li>• The PMU will be responsible to ensure that there is no cost imposed on the aggrieved person, due to the grievance mechanism at the second tier.</li> <li>• If the complaint is resolved within 15 working days the PMU must communicate the decision to the aggrieved party in writing.</li> <li>• The aggrieved party must acknowledge the receipt of decision and submit their agreement or disagreement with the decision within 10 days.</li> <li>• If no acknowledgement is submitted from the aggrieved party then the decision will be considered as accepted.</li> <li>• If the grievance is not resolved to the satisfaction of the aggrieved party within 15 working days of submission of the grievance to tier 2 then the aggrieved party may notify the MEE, in writing, of the intention to move to tier 3.</li> </ul>	

Tiers of Grievance Mechanism	Nodal Person for Contact	Contacts, Communication and Other Facilitation by Project	Timeframe to address grievance
<b>Third Tier:</b> Judiciary Power / Assistance to Vulnerable Persons beyond the Project's Grievance Redress Mechanism	An individual has the option of going to established judiciary system of the country	<ul style="list-style-type: none"> <li>• The legal system is accessible to all aggrieved persons.</li> <li>• Assistance from the ASPIRE project is available only for vulnerable person(s)<sup>1</sup> as per this grievance mechanism.</li> <li>• In cases where vulnerable person(s) are unable to access the legal system, the Attorney General's office will provide legal support to the vulnerable person(s). The PMU must assist the vulnerable person(s) in getting this support from Attorney General's Office. PMU must also ensure that there is no cost imposed on the aggrieved person if the person belongs to the vulnerable groups. The list of vulnerable groups is as defined in the footnote but may be further defined by MEE.</li> <li>• The verdict of the Courts will be final.</li> </ul>	As per established judicial procedures in Maldives

Note that Dhivehi translation of the above is included in the Annex A

---

<sup>1</sup> A vulnerable person(s) for the purpose of this project is a person who is poor, physically or mentally disabled/handicapped, destitute, disadvantaged for ethnic or social reasons, an orphan, a widow, a person above sixty years of age, or a woman heading a household.

## 8 Consultants Declaration

I hereby certify that the information provided in this Environment and Social Management Plan (ESMP) are true, complete and correct to the best of my knowledge.

Name: Ali Shareef (EIA consultant 19/11)

Signature: 

Date: 25 December 2016

## 9 Community consultations

A community consultation was carried out by the MEE, the project management unit and the HDC. Letters were sent out to all the tenants asking to lodge any complaints they have. Among the letters received, 9 letters were for objection. Individual consultations were carried with the tenants who objected to clear out their concerns and explain in detail of the benefits of the project. Most of the concerns were due to the existing situation of the building (cracks in some of the places) and on the promptness of attendance to maintenance. Some of them had concerns that the existing problem might get worse if the issues are not addressed before the project begins. This indicates that a proper grievance mechanism must be in place should there be a case.

A summary of complains received by the tenants are as below.

Tenant Block Number	Complaint
105	Building is of low quality and extra PV modules might cause exacerbate the problems.
108, 122	Asked for additional detailed information.
123	The project might cause extra damage and did not get an opportunity to install own PV system.
	Concerned about having allergies. Got medical information that modules used in PV systems have substances harmful to health.
126	Had bad experiences with the HDC regarding maintenance of the building and reluctant to give approval for the project.
90	Previously had bad experiences with maintenance and repair and cannot give time for extra maintenance such as ceiling cracks.
101	If the contractor or anyone else is liable for any damages then willing to give no objection.
101	Concerned about who will be responsible for any damages to furniture of electronics or any damage to property.



## 10 Implementation Plan



## Method statement – Substructure and module mounting

### Technical description

- PV modules will be mounted on substructure in portrait orientation (bottom side of the module facing towards lower edge of the roof) using mounting clamps.
- Substructure crossbars will be made of aluminium and will have a height of ~60 mm in order to allow ventilation of PV modules (see figure 1).
- Mounting clamps (see figure 2 and 3) will be made of aluminium and will have a height matching requirements due to module frame dimensions.
- Substructure crossbars will be mounted on raised bead of tin roofs using rubber buffers and sealing rivets in order to prevent corrosion of existing tin roofs and water seepage (see figures 1, 4 and 5).
- Each substructure crossbar will be mounted on two raised bead of the tin roofs only. This will avoid damages to tin roofs or substructure due to different expansion coefficients of steel plate tin roof and aluminium substructure crossbars. Resulting length of substructure crossbars is ~460 mm each, which equals distance between two raised beads plus 50 mm on each end as additional mounting space (see figure 6).
- All cables will be attached to substructure crossbars cable ties in order to prevent sags into deep corrugation spaces as well as contact with tin roof sheets in general. Wherever potentially exposed to sunlight/UV radiation, cables will be guided and covered using cable ducts or protective and UV resistant pipes.
- Installed PV unit will look similar to example PV installations as per figures 6 and 7.

### Illustrative pictures

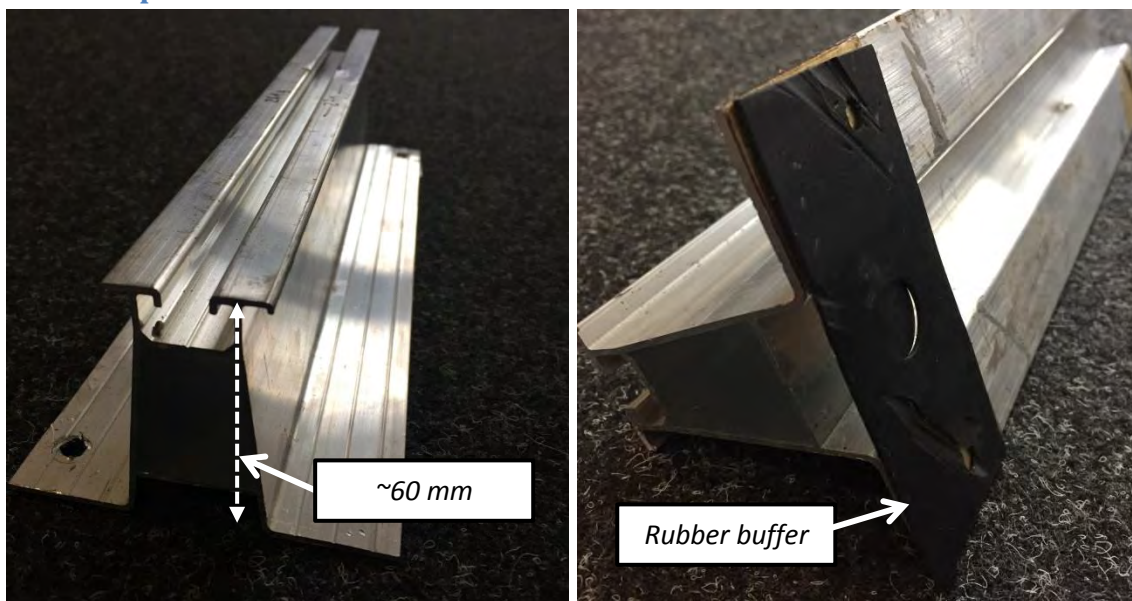


Figure 1: Substructure crossbar with rubber buffer

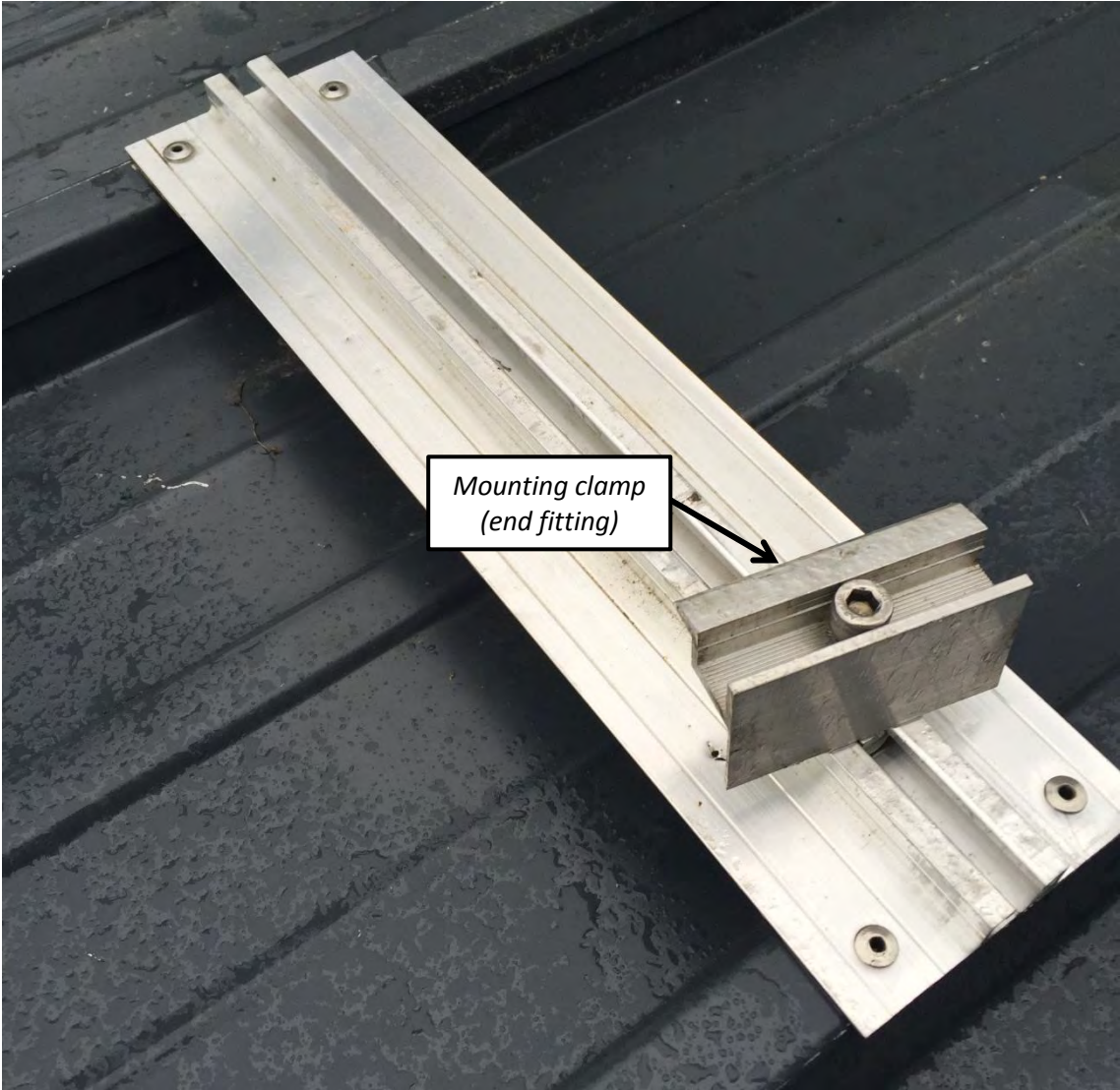


Figure 2: Example substructure crossbar with mounting clamp (end fitting)

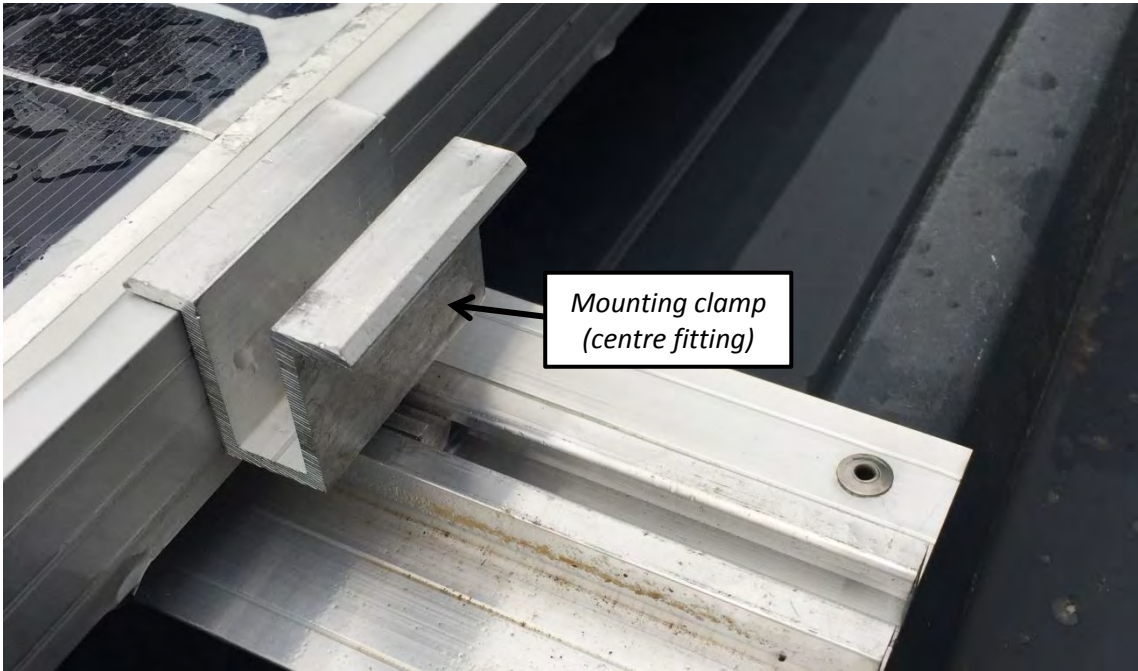


Figure 3: Example substructure crossbar with mounting clamp (centre fitting) and PV module



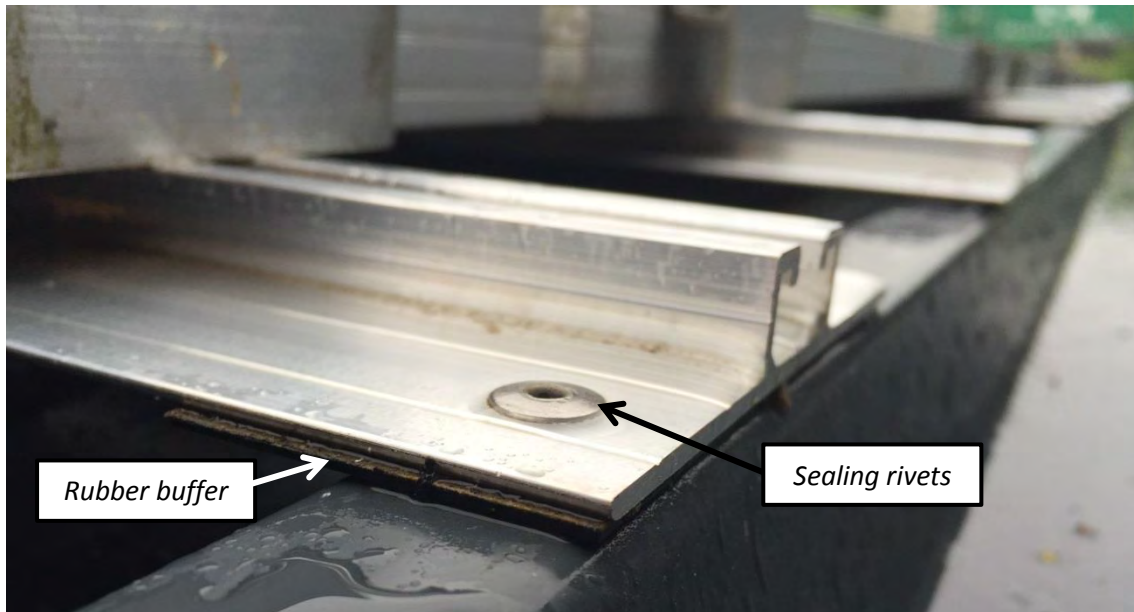


Figure 4: Example substructure crossbar with rubber buffers and sealing rivets

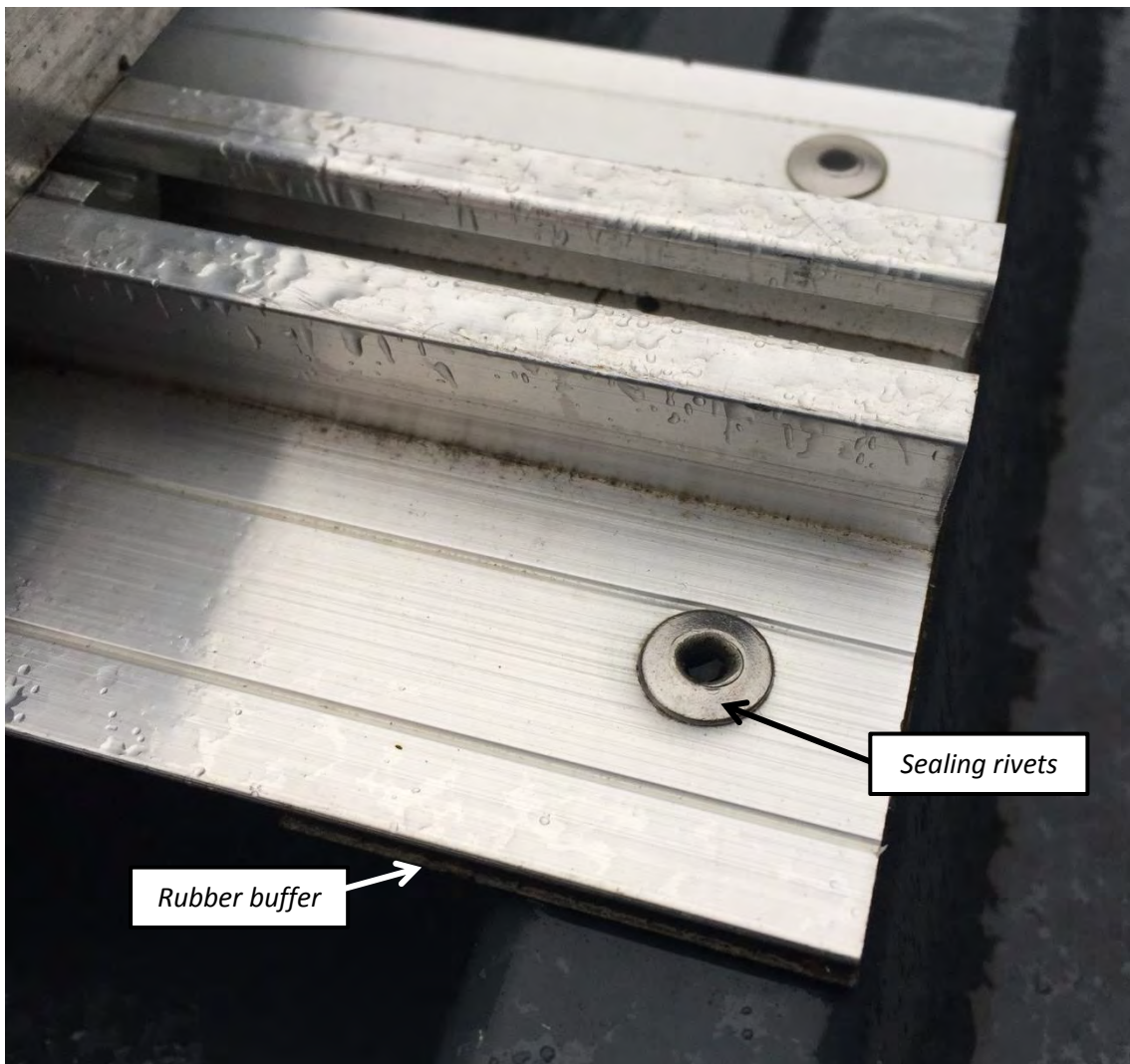


Figure 5: Example substructure crossbar with rubber buffers and sealing rivets



Figure 6: Example substructure crossbar with mounting clamp (centre fitting) and PV module

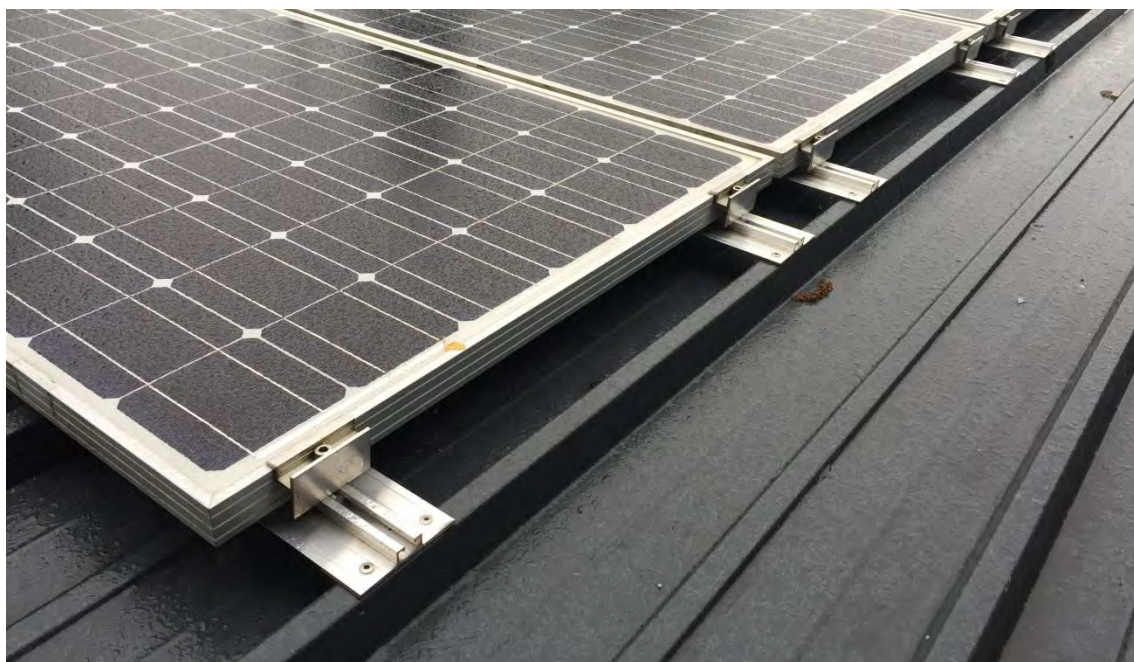


Figure 7: Example substructure crossbar with mounting clamp (end fitting) and PV modules



Figure 8: Substructure crossbar with PV modules

## Steps of procedure

### Preparation and Planning

1. Exact measuring of roof area
2. Measuring of cable runs and connection point
3. Planning and preparation of layouts

### Site setup and equipment

4. Setup of construction site incl. arranging of temporary service and storage area
5. Establishing of roof access
6. Setup of guard rail
7. Documentation of existing roof damages

### Roof-top construction works

8. Measuring of positions on the roof
9. Preparation of substructure
10. Installation of substructure
11. Installation of DC cables to inverter
12. Installation of connectors to the DC cabling
13. Installation of solar panels

### Ground floor construction works

14. Installation of Inverters
15. Connection of DC cables to inverters
16. Installation of AC cables

### Tests and commissioning

17. Testing and preparation of measuring protocols
18. Installation, connection, and implementation of monitoring system
19. Commissioning of the solar power system
20. Final acceptance

## Technical description and method statement

### Technical description

- PV power plant parts will be installed on '1000 housings' '2 and 3 unit type' buildings only
- PV power plant facilities will be planned and built in standardised, equally sized units
- One PV power plant unit ('PV unit') will be installed per housing unit (2 PV units for '2 unit type' houses, 3 PV units for '3 unit type' houses)
- Preliminary components and sizing
  - Module 250W; framed glas-glas modules
  - Inverter Sungrow SG20KTL
  - PV unit 3 strings; 24 modules per string; nominal DC power: 18 kW
- Inverters and metering equipment will be installed in entrance areas of '1000 housing' buildings
- Grid connection will be conducted at building connection lines for each individual unit.  
Building connection lines are connected to substations 19 and 28, which provide a total power of 1630 kVA.

### PV power plant equipment

- 83 PV units (1,494 kW DC) installed on 13 '3 unit type' and 22 '2 unit type' buildings
- 5976 modules (72 per PV unit)
- 83 inverters (one per PV unit)
- 83 electric meters (one per PV unit)
- 35 monitoring units incl. modems (one per building)

### Installation procedure

- Detailed measuring of roof areas Gräss, MV
- Detailed measuring of cable runs for DC, AC, monitoring, and grounding cables Gräss, MV
- Survey of site conditions regarding potential interconnection between houses with CAT7 or fibre optic cables. If interconnection would be possible with reasonable effort, number of monitoring units and modems could be reduced Gräss, MV
- Detailed planning of PV units, cable runs, etc. Gräss, CH
- Inspection of planning documents and layout; adjustment of planning documents according to Maldives requirements, if required; pre-approval of planning documents; forwarding of planning documents to governmental agencies local contractor, MV
- Manufacturing and preparation of substructure (cutting to length, application of adhesive sealing tape, pre-assembly, etc.) Gräss, CH
- Delivery of substructure, cables, mounting equipment (e.g. module clamps), small parts, etc. Gräss, CH to MV
- Delivery of required machinery and power tools Gräss, CH to MV
- Delivery of security equipment (e.g. anti-fall guard) Gräss, CH to MV
- Set-up of sites incl. temporary power service, secure storage area, waste management, etc. Gräss, MV
- Delivery of modules CMEC, CN to MV
- Delivery of inverters Sungrow, CN to MV
- Delivery of monitoring units and further electrical equipment Gräss, CH to MV
- Delivery of protective equipment (steel frame with perforated sheets; for inverters, electric metering, and monitoring equipment) Gräss, MV



- Individual installation per building/PV unit *as described below*
- Teardown and clearing of temporary construction compounds Gräss, MV

### Installation procedure per building/PV unit

- Set-up of stair tower and skip hoist for roof access Gräss, MV
- Set-up of anti-fall guard Gräss, MV
- Preparation of report of previous/existing roof damages (incl. photo documentation) Gräss, MV
- Measuring of positions for substructure installation Gräss, MV
- Installation of substructure Gräss, MV
- Installation of cable ducts (roof to inverters) Gräss, MV
- Installation of DC cables (roof to inverters) incl. mounting of cable connectors Gräss, MV
- Installation of monitoring cables (inverter to inverter via roof) Gräss, MV
- Installation of grounding cables (roof to ground, inverters, to ground) and ground rod Gräss, MV
- Installation of PV modules (mounting, installation of DC connections) Gräss, MV
- Installation of inverters (mounting, DC connection) Gräss, MV
- Installation of protective equipment (for inverters etc.) Gräss, MV
- Installation of metering equipment (mounting, inverter connection, grid connection) Gräss, MV
- Preparation of measuring reports/test records for each PV unit as well as for the whole plant Gräss, MV
- Installation of monitoring units (mounting, cable connections, initial operation) Gräss, MV
- Initial operation of PV unit Gräss, MV
- Final inspection and acceptance of PV units Gräss and local contractor, MV

Maldives Tender (1.5 MW Hulhumalé)  
**Preliminary construction schedule**

Date	week 26 27.06.2016	week 27 04.07.2016	week 28 11.07.2016	week 29 18.07.2016	week 30 25.07.2016	week 31 01.08.2016	week 32 08.08.2016	week 33 15.08.2016
<b>Construction supervisor</b>								
<b>Team 1</b>	3 unit type	3 unit type	3 unit type	3 unit type	3 unit type	3 unit type	2 unit type	2 u.
<b>Team 2</b>	3 unit type	3 unit type	3 unit type	3 unit type	3 unit type	2 unit type	2 unit type	2 unit
<b>Team 3</b>	3 unit type	3 unit type	3 unit type	3 unit type	3 unit type	2 unit type	2 unit type	2 unit

Date	week 34 22.08.2016	week 35 29.08.2016	week 36 05.09.2016	week 37 12.09.2016	week 38 19.09.2016	week 39 26.09.2016
<b>Construction supervisor</b>						
<b>Team 1</b>	2 unit	2 unit type	2 unit type	2 unit type	2 unit type	Comissioning and tests
<b>Team 2</b>	2 u.	2 unit type	2 unit type	2 unit type	2 unit type	
<b>Team 3</b>	2 u.	2 unit type	2 unit type	2 unit type	2 unit type	

Construction supervisor will be Gräss personnel.  
 Each team will consist of one foreman and two workers. Foreman will be Gräss personnel, workers will be local employees.

## 11 Layout Drawings



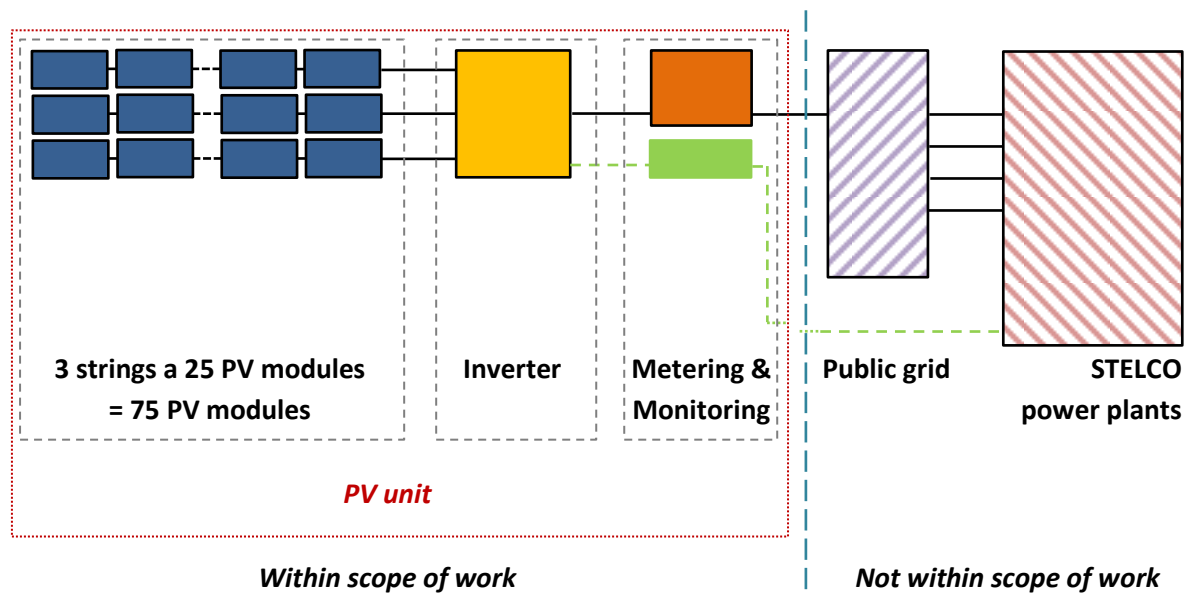
## Description of system layout/operational principle

### Main PV power plant equipment

- 82 PV units installed on 8 '3 unit type' and 29 '2 unit type' buildings
- 6,150 PV modules (75 per PV unit)
- 82 inverters (one per PV unit)
- 82 electric meters (one per PV unit)
- 37 monitoring units incl. modems (one per building)

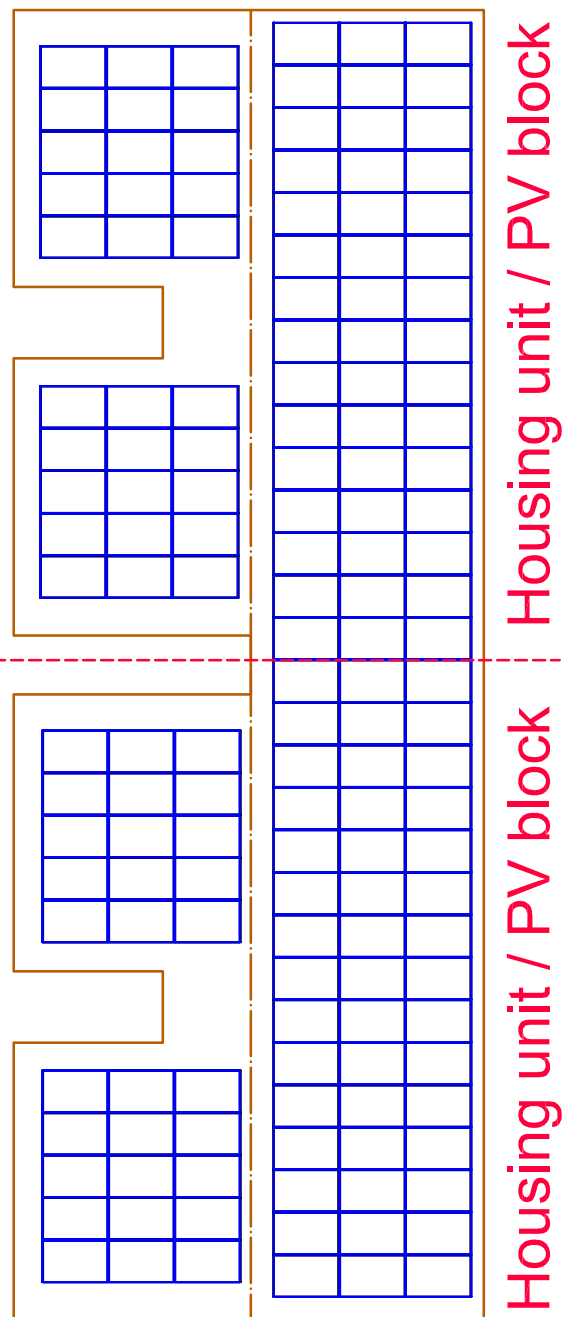
### Main components for one PV unit

- 75 PV modules will be installed on roof
- 25 PV modules will be connected to form one strings (done three times)
- 3 strings will be connected to one inverter
- One inverter will be connected to public grid via one electric meter, which measures energy feed into public grid
- All inverters within one building will be connected to one Monitoring unit incl. modem
- Monitoring units are connected to the internet to enable supervision by any authorised person or authority such as STELCO offices and/or power plants.

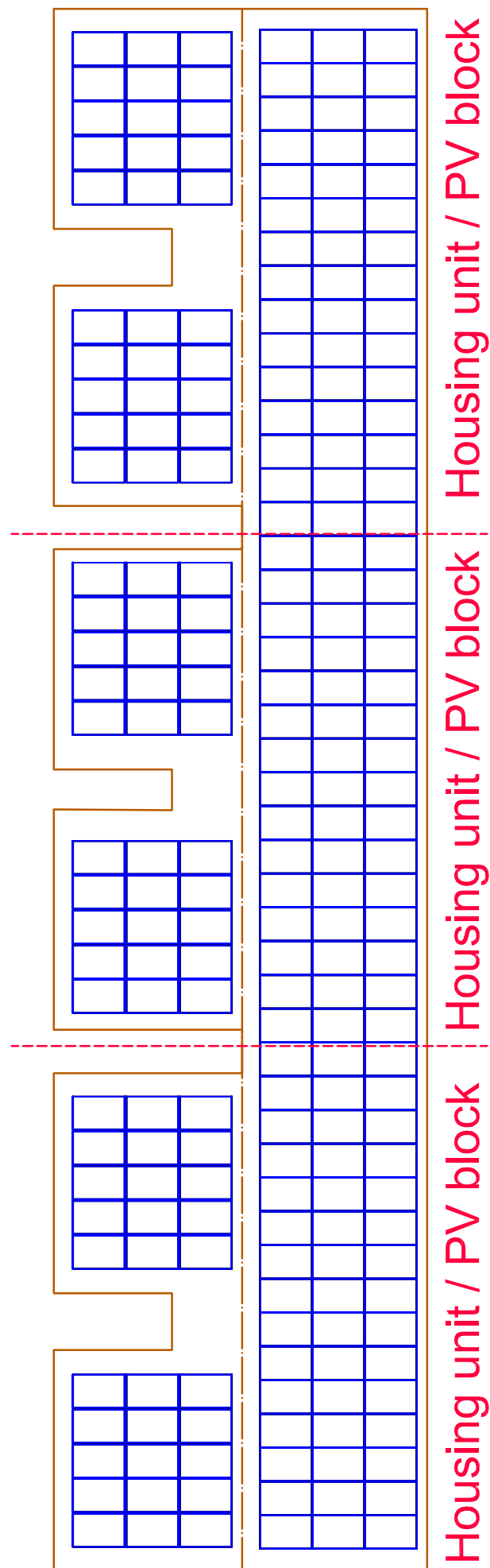


## Roof space

	2 unit type	3 unit type
Available roof space	~330 m <sup>2</sup>	~493 m <sup>2</sup>
Used roof space	~238 m <sup>2</sup>	~357 m <sup>2</sup>
Roof consumption	~72%	~72%



2 unit type house



3 unit type house

## Housing unit / PV block


- 75 PV modules
- One PV inverter
- Monitoring equipment
- Electric meter
- Backup meter

## PV inverter

- Make: Sungrow
- Model: SG20KTL
- Type: String inverter; transformerless
- Power: 20.0 kW
- Origin: China

## PV modules

- Type: Glass-glass laminated
- Power: 260 Wp

2015			 we build energy.	
changed:	date	name	Project: Hulhumale Tender	
changed:	03.03.16	ME	Hulhumale, Maldives	
drawer:	14.12.12	ME	Designation: Roof layout	
Scale: none			1000 housing 2/3 unit type	
Total Power			Status	
1,599.00 kWp			drawing number	
Hulhumale_roofs_new.dwg			paper size	
03.03.2016			Draft	
			16-02-HUMA-002	
			A3	

# PV rooftop installations

Unit type	Amount	Rated power
-----------	--------	-------------

## Northern section

2 unit	4	156.0 kWp
3 unit	6	351.0 kWp

## Central section

2 unit	7	273.0 kWp
--------	---	-----------

## Southern section

2 unit	18	702.0 kWp
3 unit	2	117.0 kWp

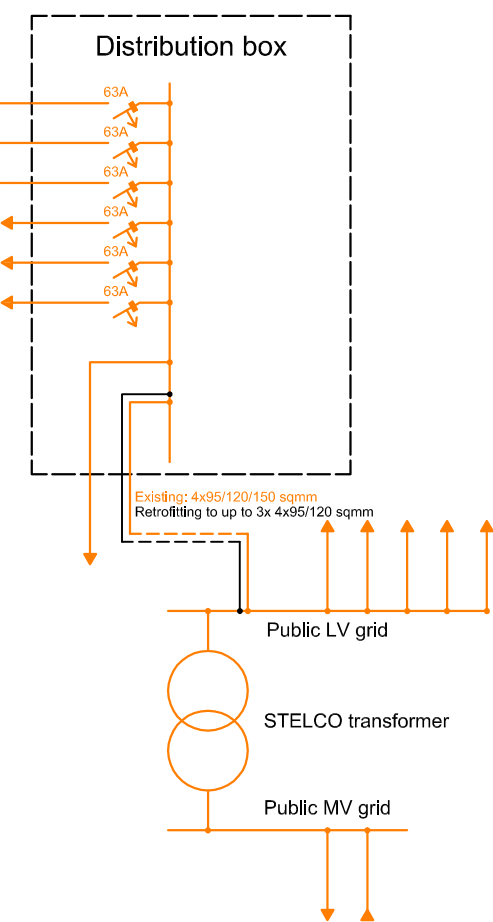
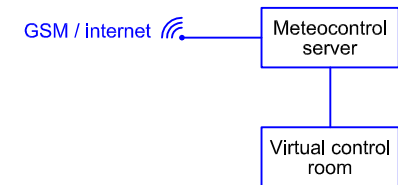
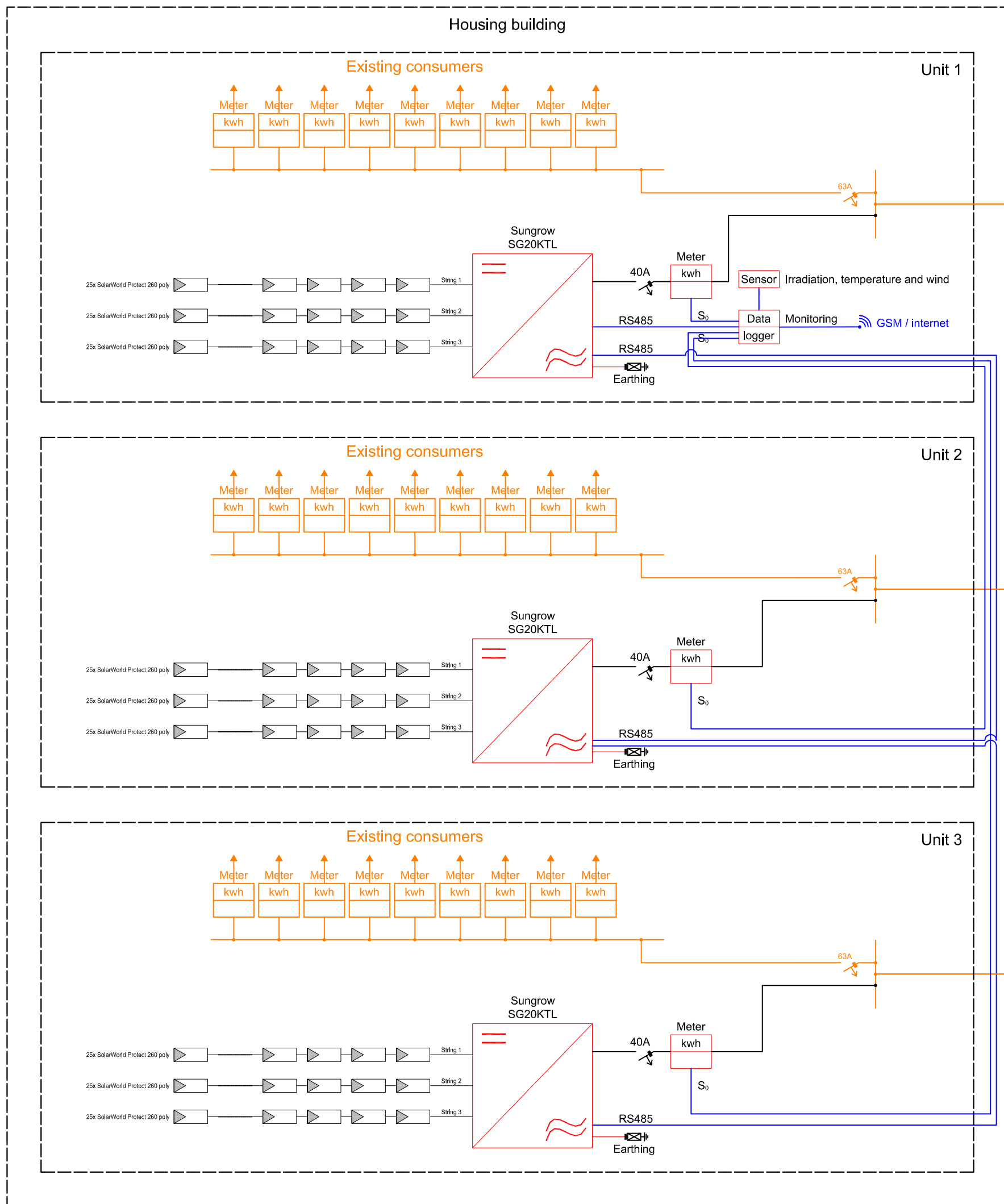
## Total

2 unit	29	1,131.0 kWp
3 unit	8	468.0 kWp
<b>Total</b>		<b>1,599.0 kWp</b>




2016	date	name	Project: <b>Hulhumale Tender</b> Hulhumale, Maldives
changed:	31.03.16	ME	
changed:	26.01.16	ME	
drawer:	14.12.15	ME	Designation: <b>General layout</b> Use of 1000 housing units
Scale:	none		
Total Power <b>1,599.00 kWp</b>			Status: <b>Draft</b>
Hulhumale_distribution_network.dwg 31.03.2016			drawing number: <b>16-02-HUMA-001</b>
			paper size: <b>A3</b>

# 1000 housing buildings, 3 unit type



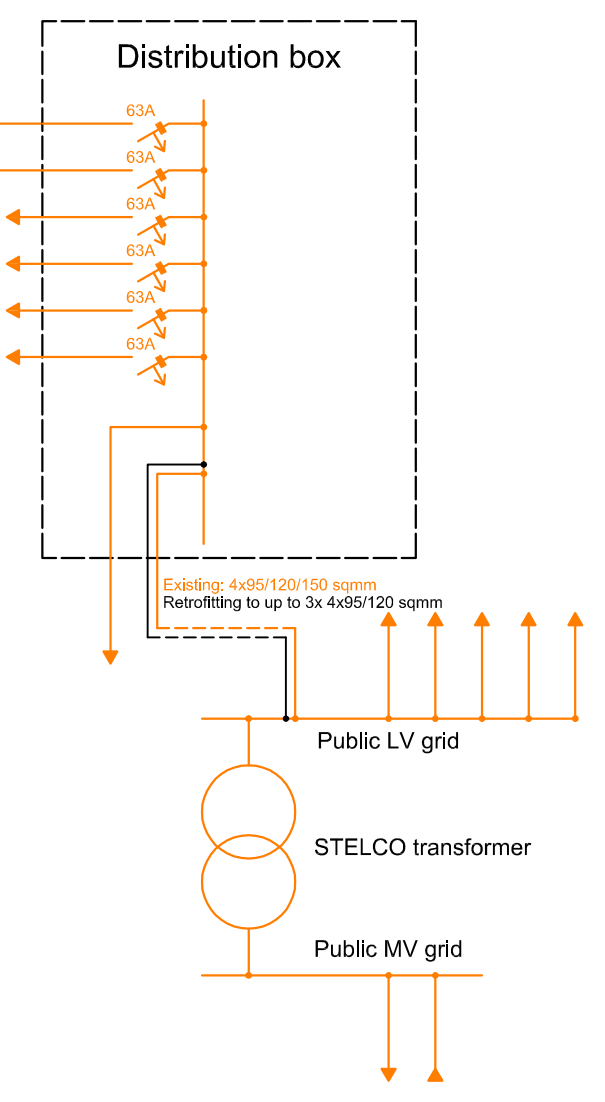
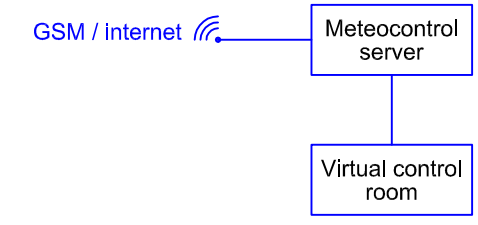
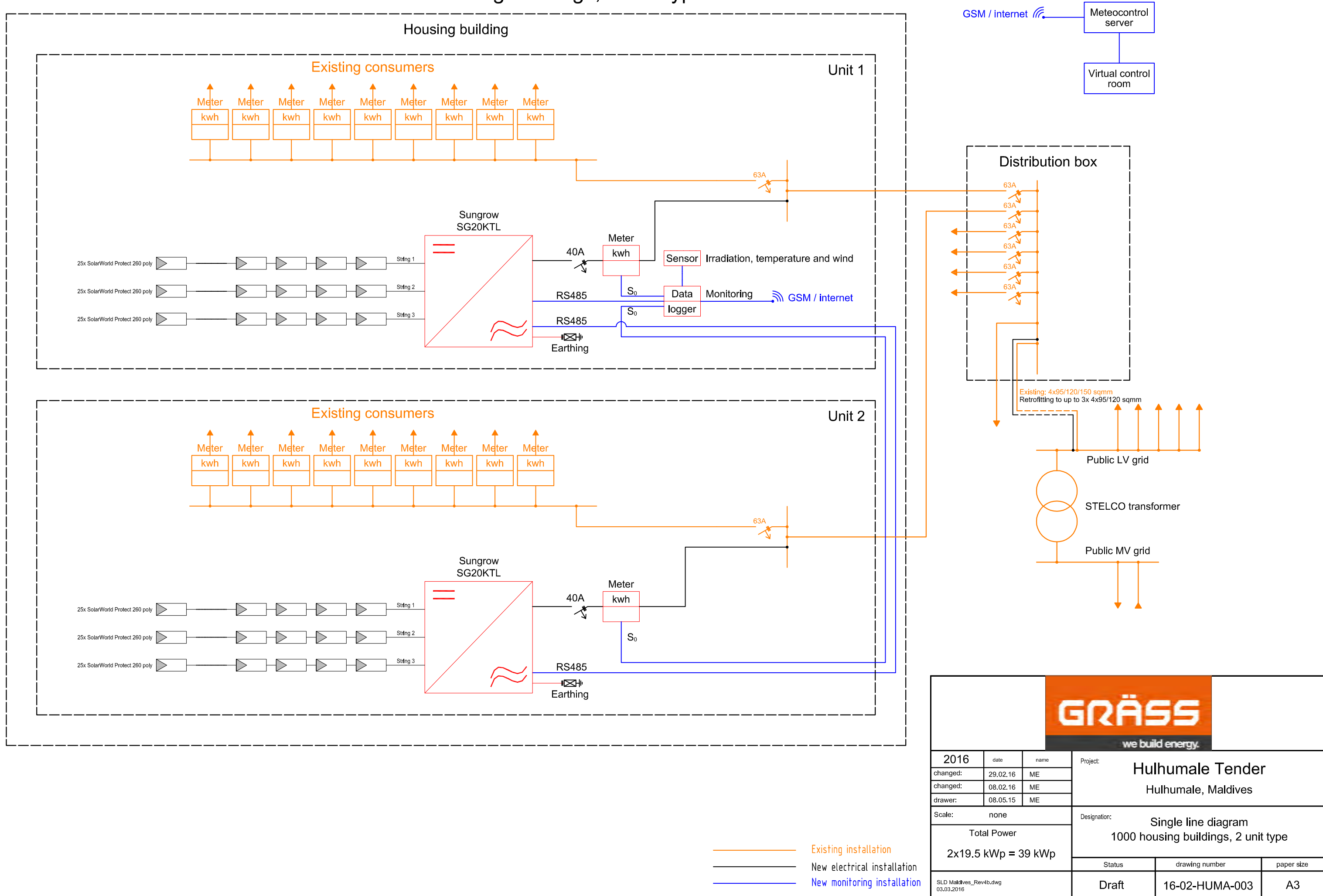
— Existing installation  
— New electrical installation  
— New monitoring installation




**GRÄSS**  
we build energy.

2016	date	name	Project: <b>Hulhumale Tender</b> Hulhumale, Maldives						
changed:	29.02.16	ME							
changed:	08.02.16	ME							
drawer:	08.05.15	ME	Designation: <b>Single line diagram</b> 1000 housing buildings, 3 unit type						
Scale:	none								
Total Power <b>3x19.5 kWp = 58.5 kWp</b>			<table border="1" style="width: 100%; border-collapse: collapse;"> <tr> <td style="width: 33%;">Status</td> <td style="width: 33%;">drawing number</td> <td style="width: 33%;">paper size</td> </tr> <tr> <td>Draft</td> <td>16-02-HUMA-008</td> <td>A3</td> </tr> </table>	Status	drawing number	paper size	Draft	16-02-HUMA-008	A3
Status	drawing number	paper size							
Draft	16-02-HUMA-008	A3							
SLD Maldives_Rev4b.dwg 03.03.2016									

# 1000 housing buildings, 2 unit type



 we build energy.			Project: <b>Hulhumale Tender</b>		
			Hulhumale, Maldives		
2016	date	name	Designation: <b>Single line diagram</b>		
changed:	29.02.16	ME	1000 housing buildings, 2 unit type		
changed:	08.02.16	ME	Status	drawing number	paper size
drawer:	08.05.15	ME	Draft	16-02-HUMA-003	A3
Scale: none			Total Power		
2x19.5 kWp = 39 kWp			SLD Maldives_Rev4b.dwg 03.03.2016		

- Existing installation
- New electrical installation
- New monitoring installation











