

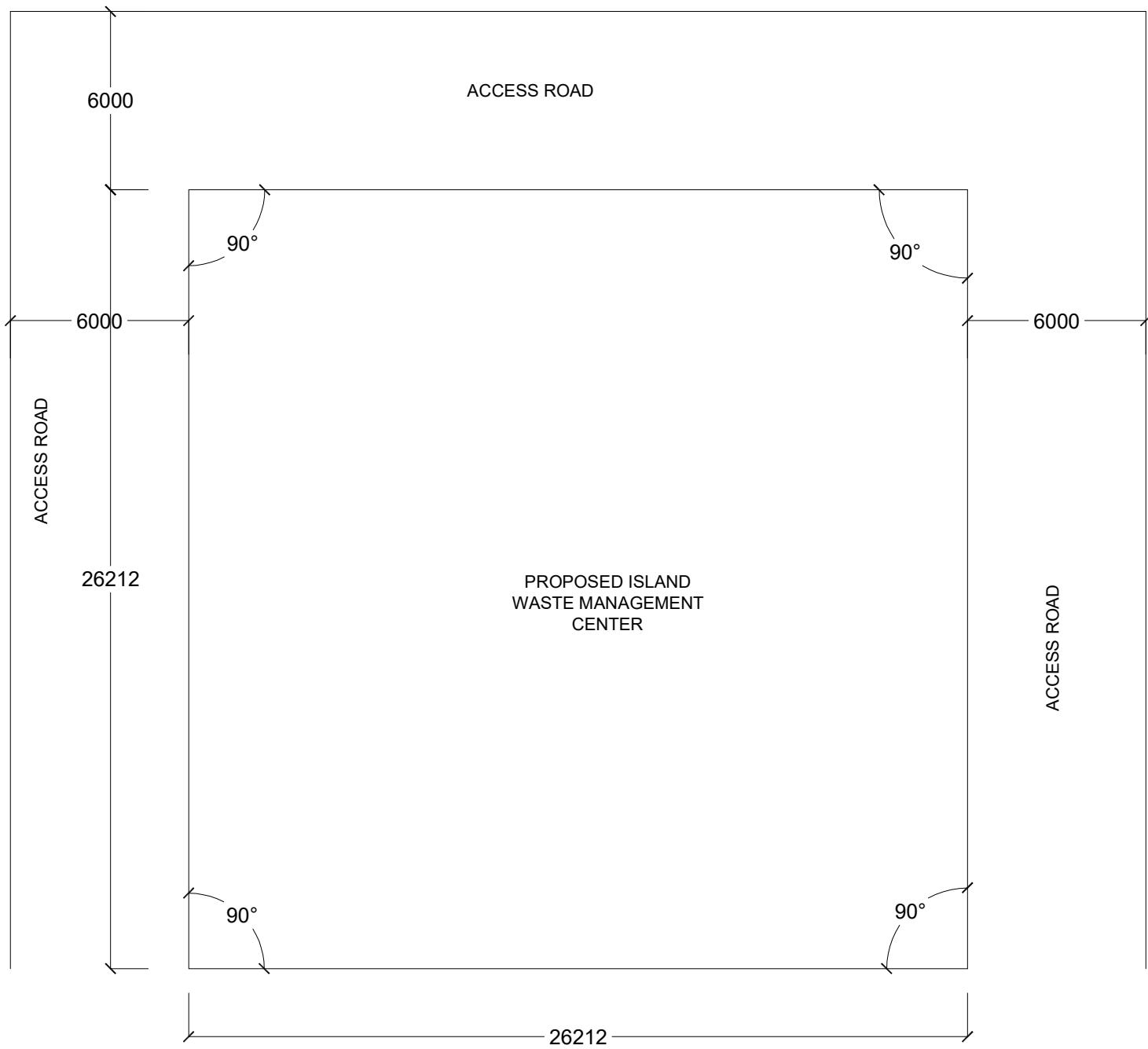
PROVISION OF WATER SUPPLY SANITATION AND SOLID WASTE MANAGEMENT PROJECT

SH. MAROSHI ISLAND WASTE MANAGEMENT CENTER

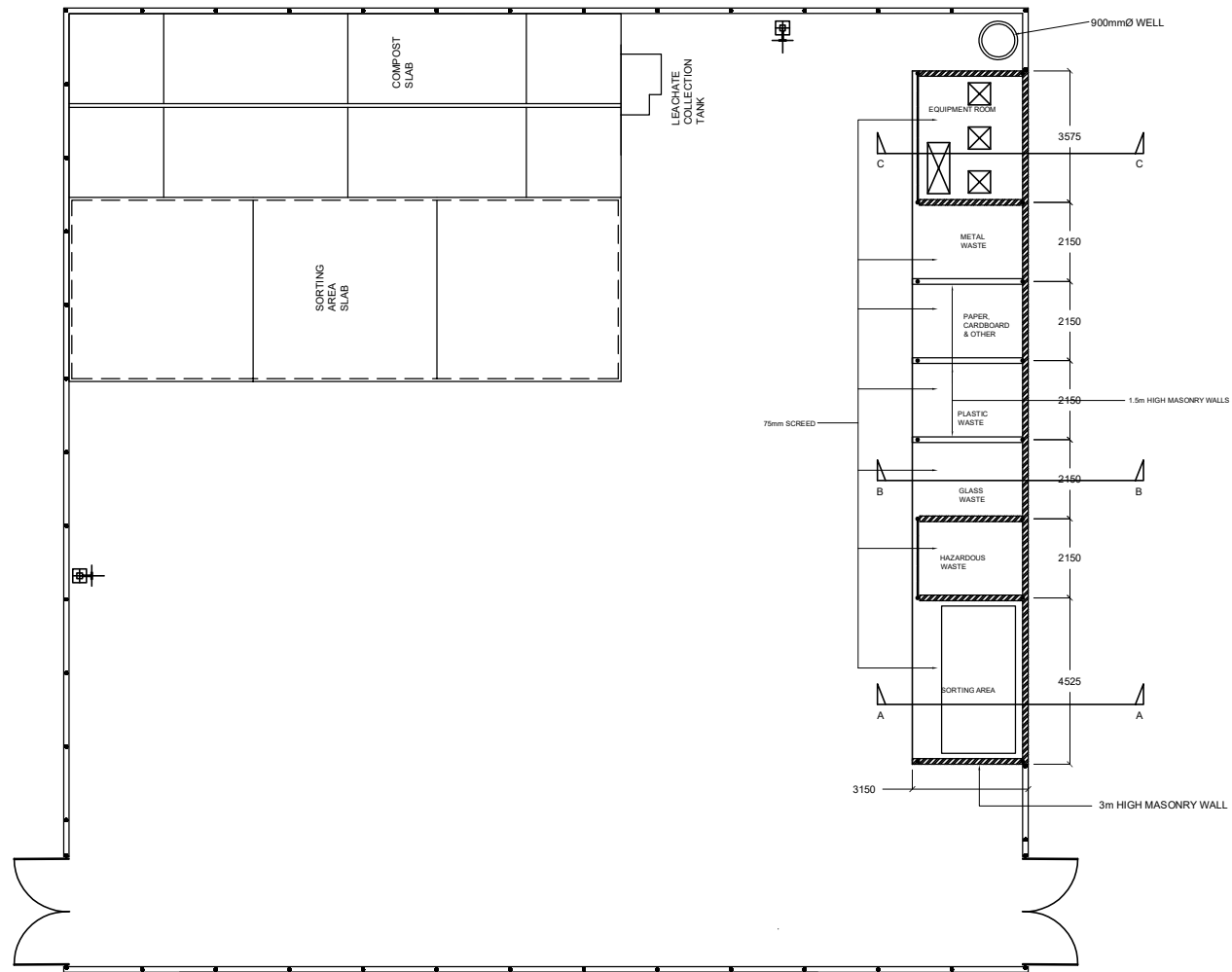


SOLID WASTE MANAGEMENT COMPONENT
OFID PROJECT
MINISTRY OF ENVIRONMENT AND ENERGY

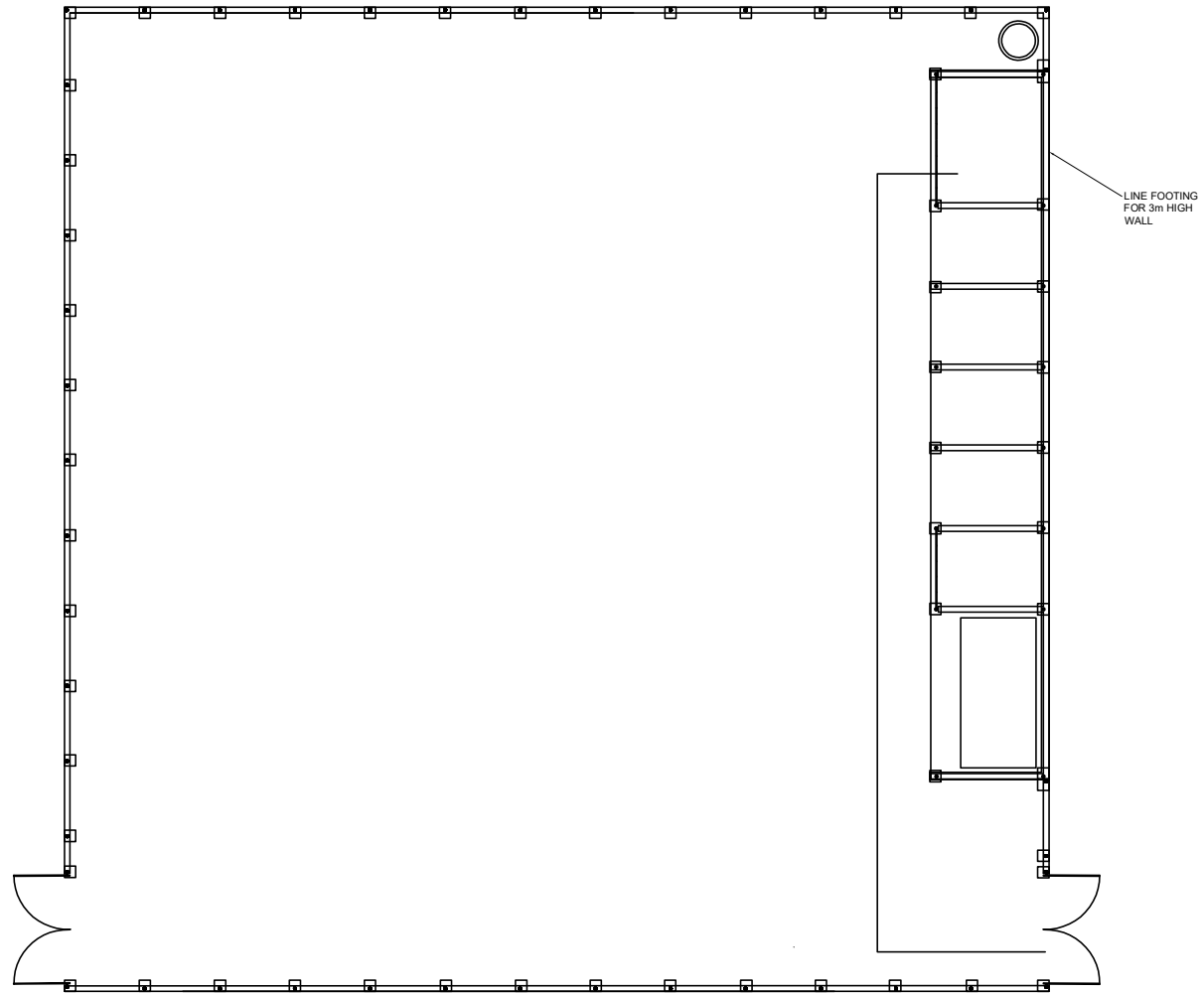
HANDHUVAREE HINGUN MALE' 20-01
REPUBLIC OF MALDIVES



SITE PLAN
1:200

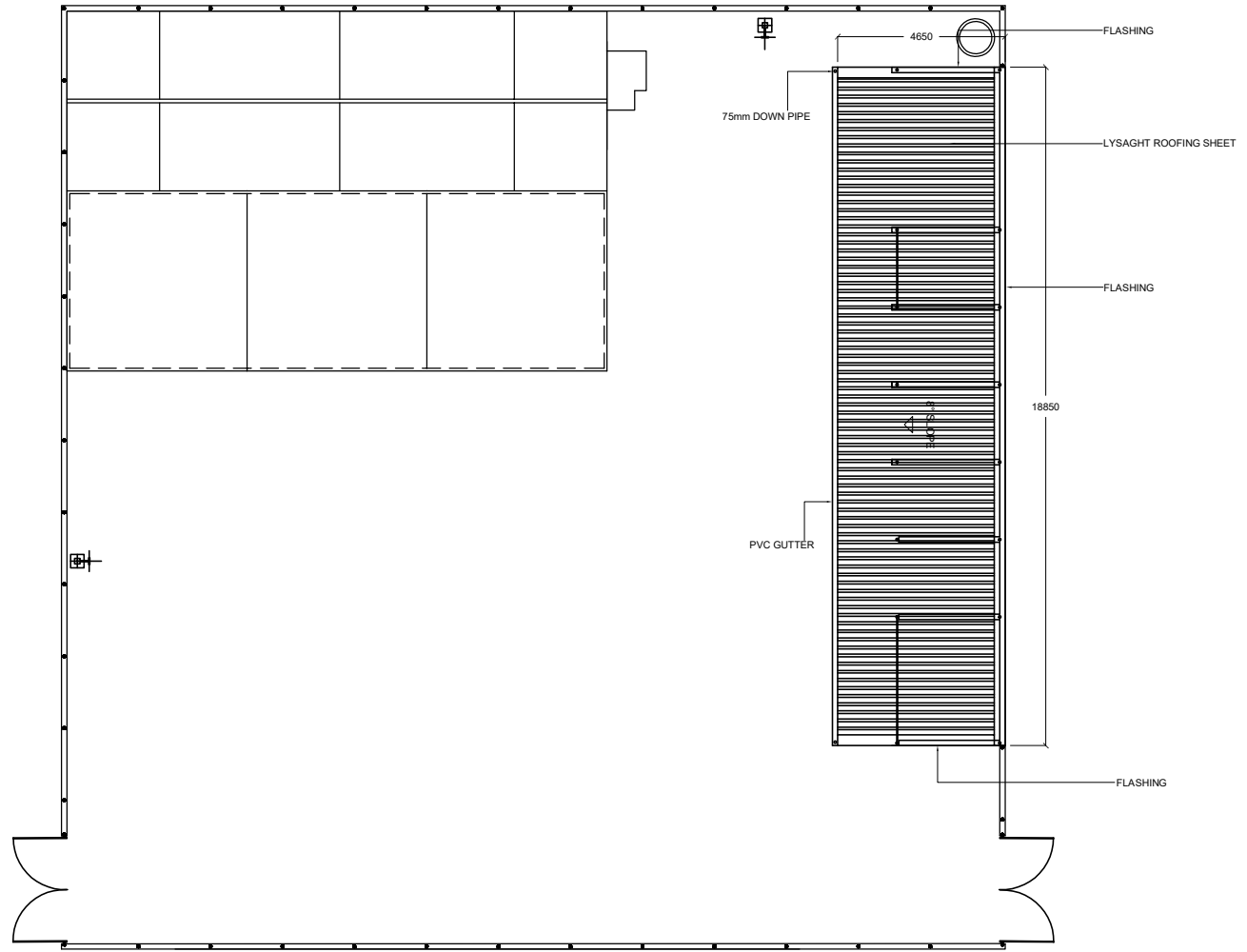


IWMC LAYOUT
1:200

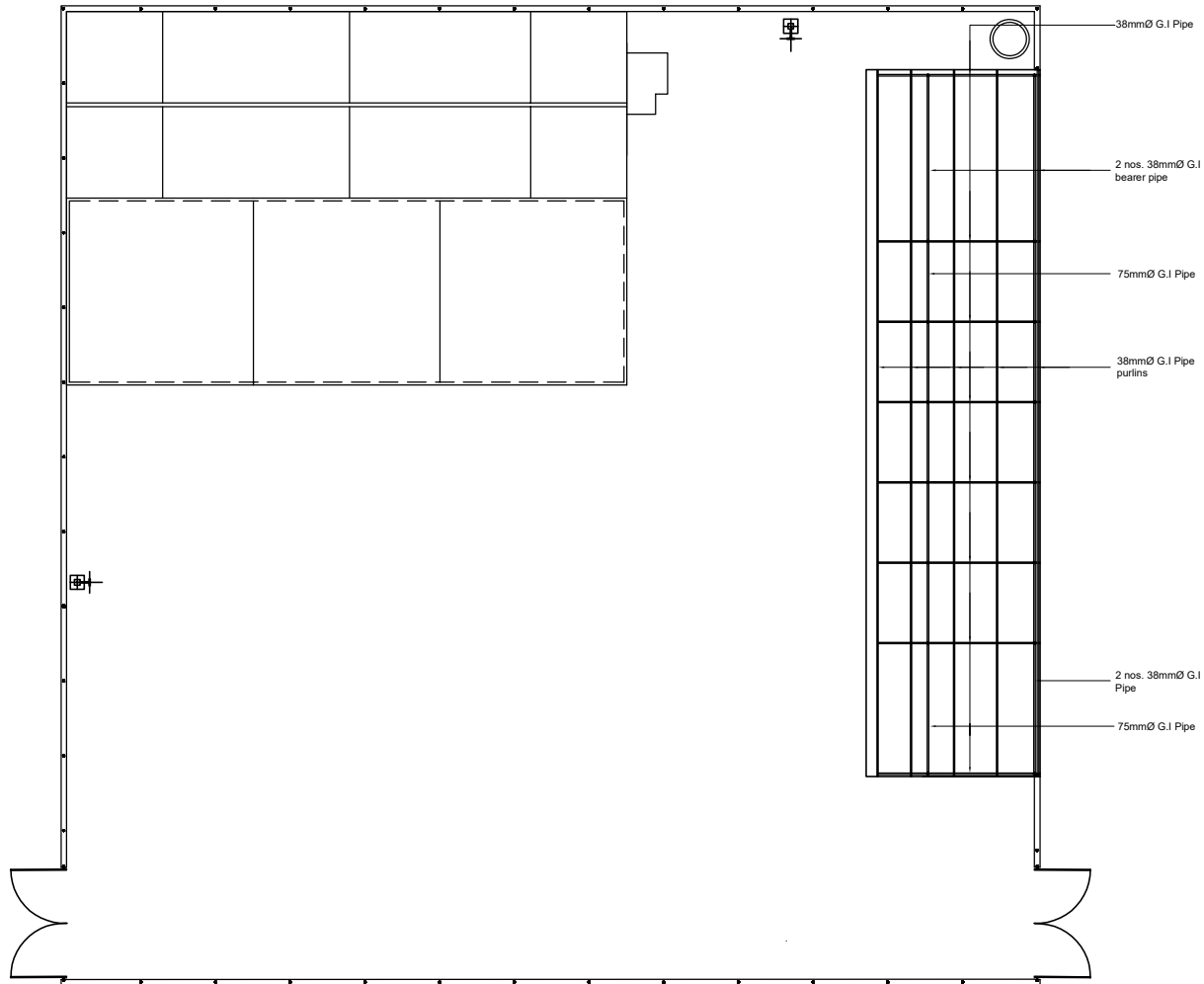


FENCE FOUNDATION AND COLLECTION
AREA FOUNDATION

1:200

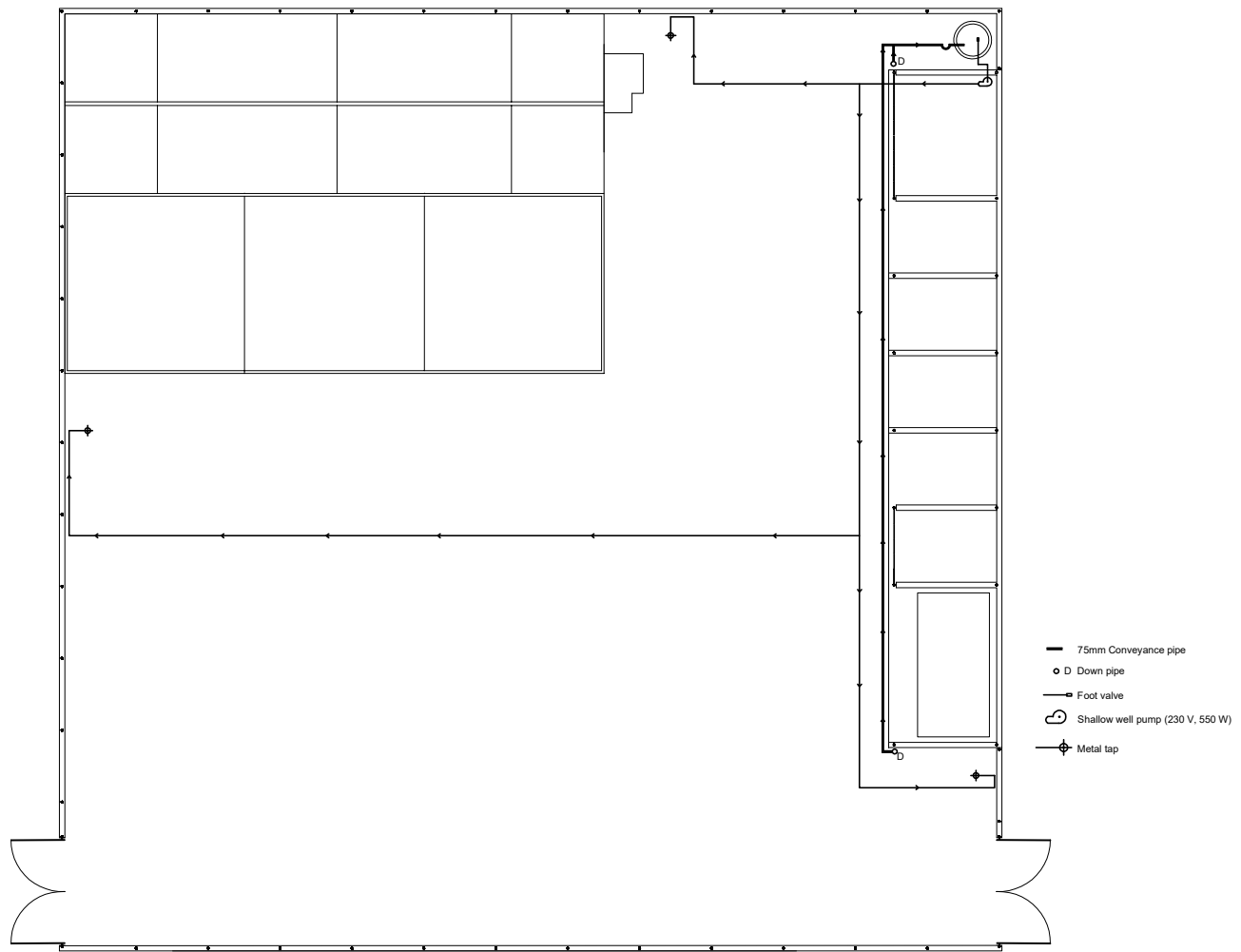


ROOF PLAN
1:200



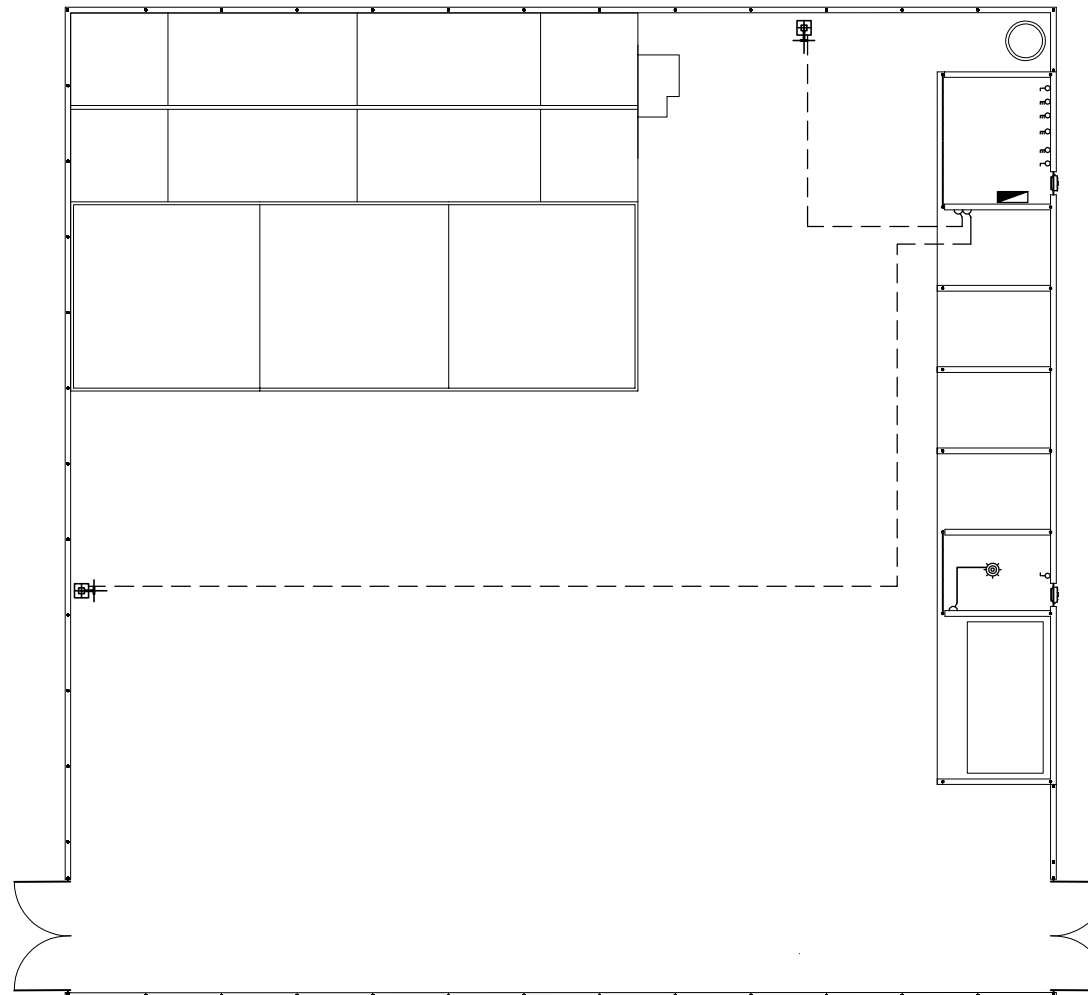
ROOF FRAMING LAYOUT

1:200



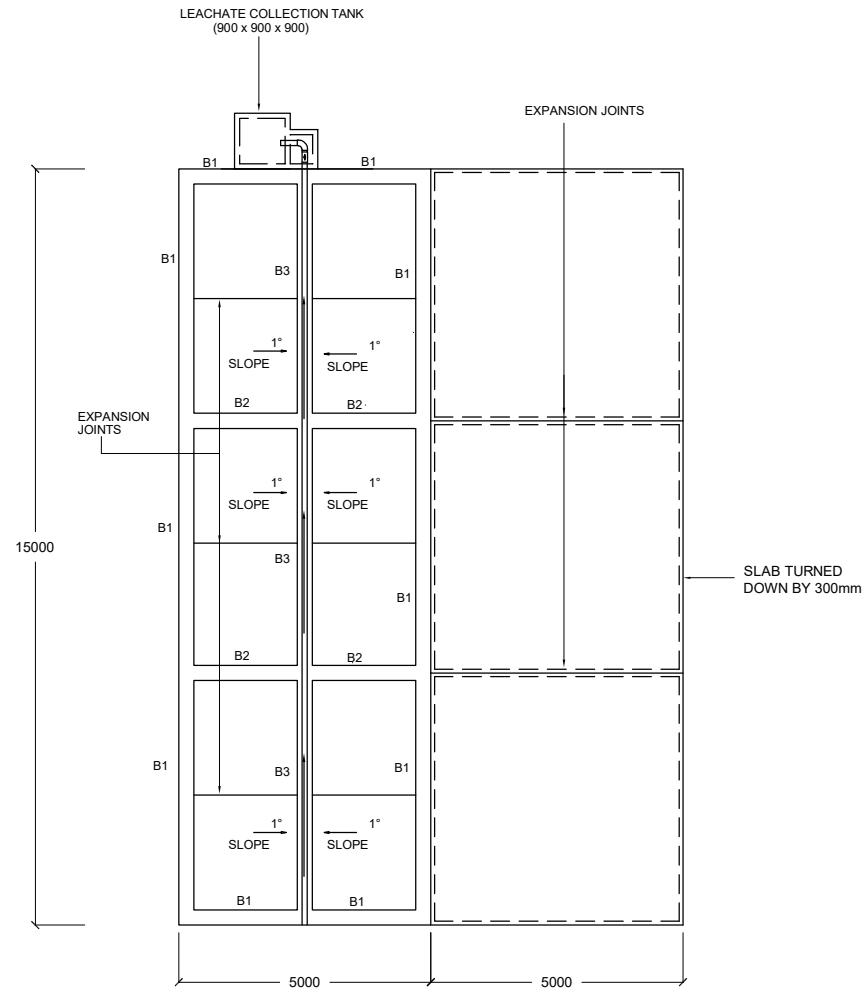
PLUMBING LAYOUT

1:200

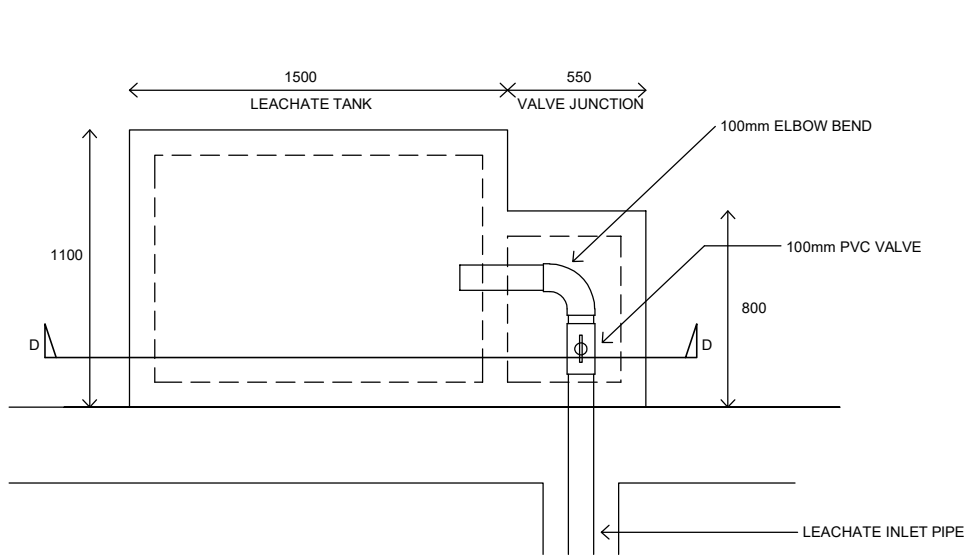


- DISTRIBUTION BOARD
- 100W ENERGY SAVING LIGHT
- 3 PHASE POWER POINTS [1.5m ABOVE GROUND]
- 1 PHASE POWER POINTS [1.5m ABOVE GROUND]
- WEATHER PROOF SWITCH
- EXHAUST FAN (14" blade diameter, 230 V, 250 W)

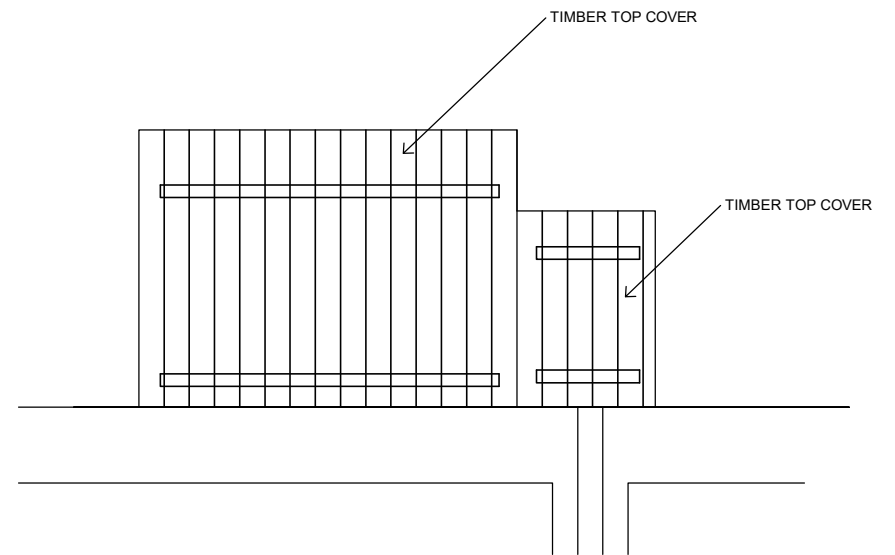
ELECTRICAL LAYOUT
1:200



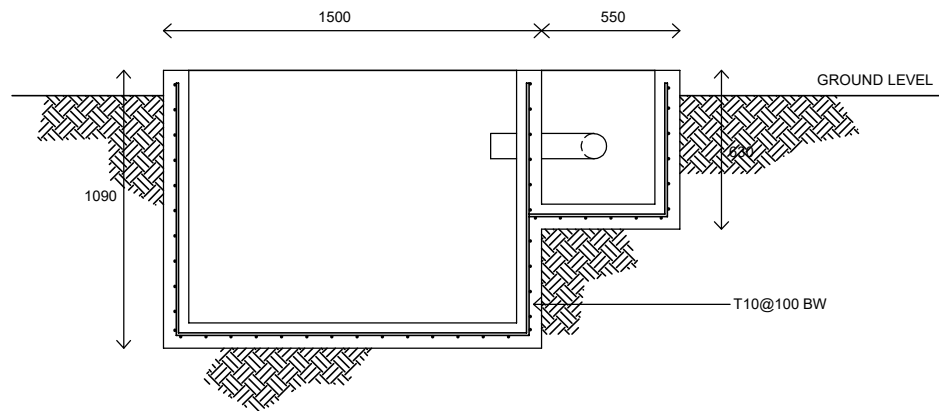
COMPOST SLAB AND SORTING AREA SLAB
1:150



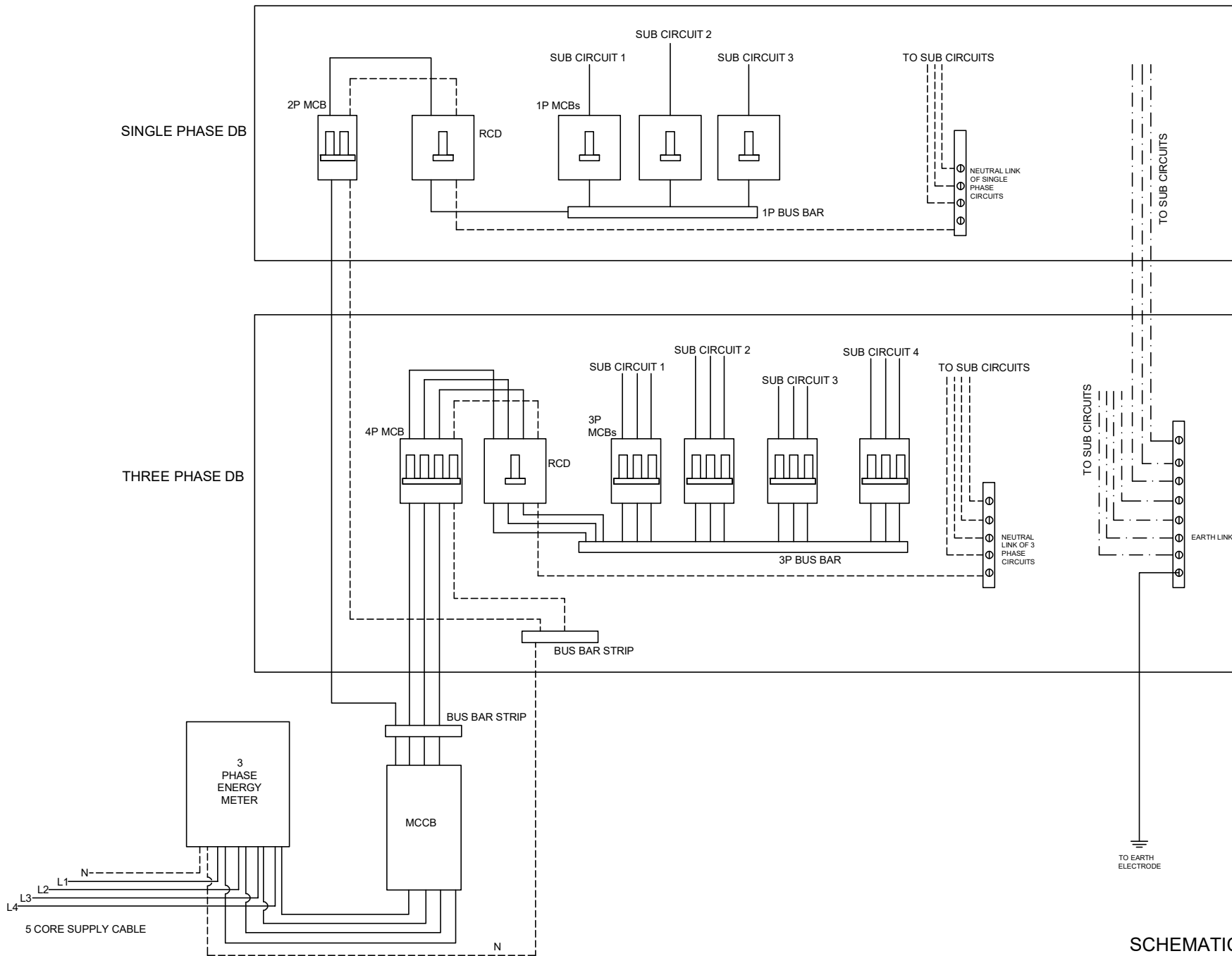
LEACHATE TANK DETAIL
1:30



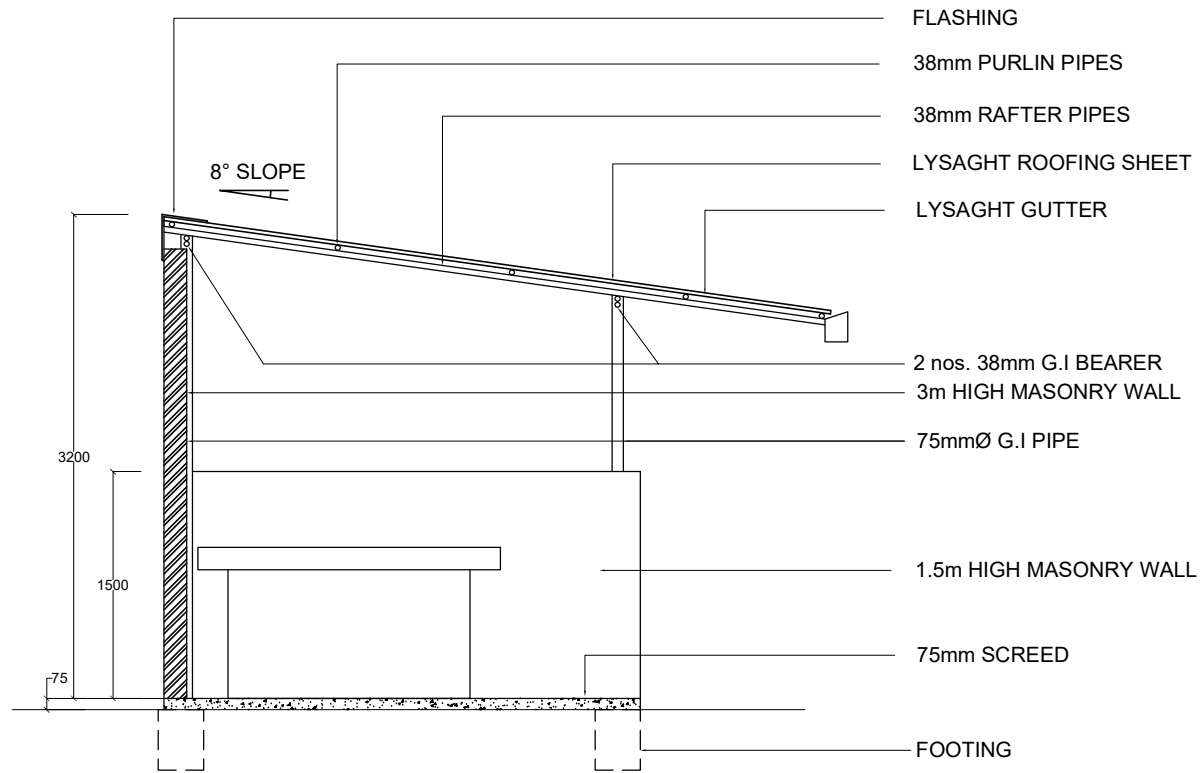
LEACHATE TANK COVER
1:30



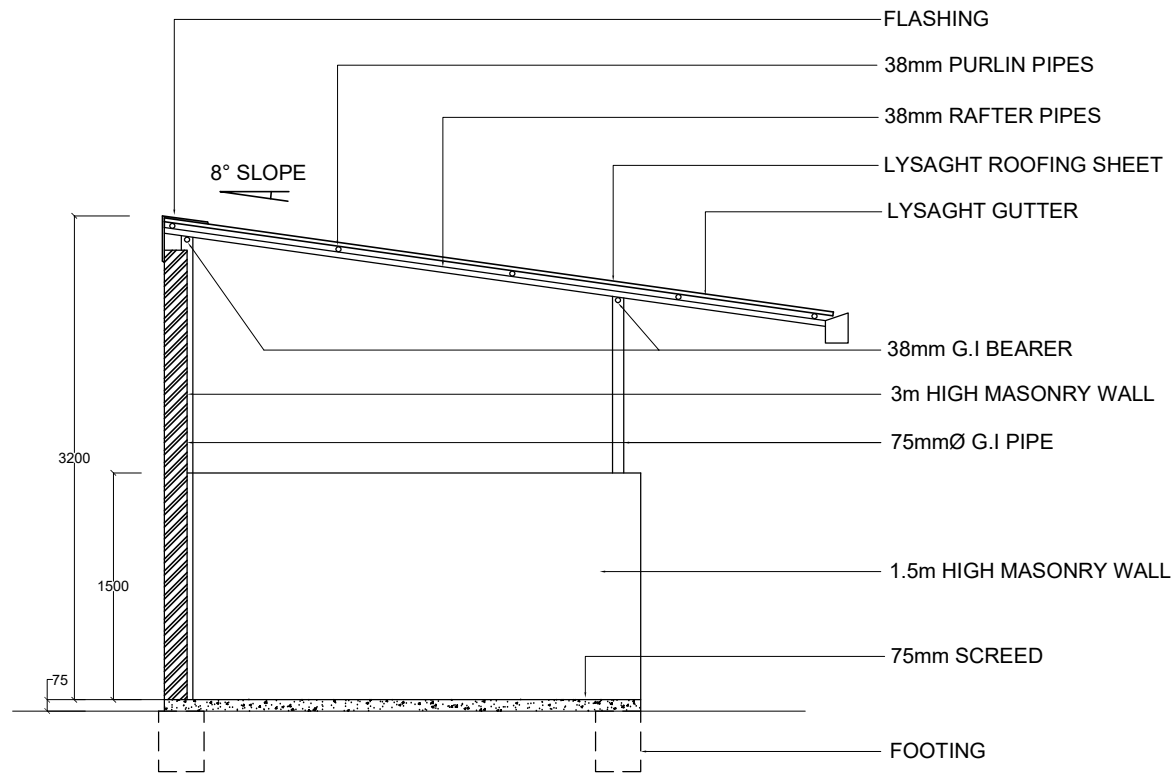
SECTION D
1:30



SCHEMATIC WIRING DIAGRAM

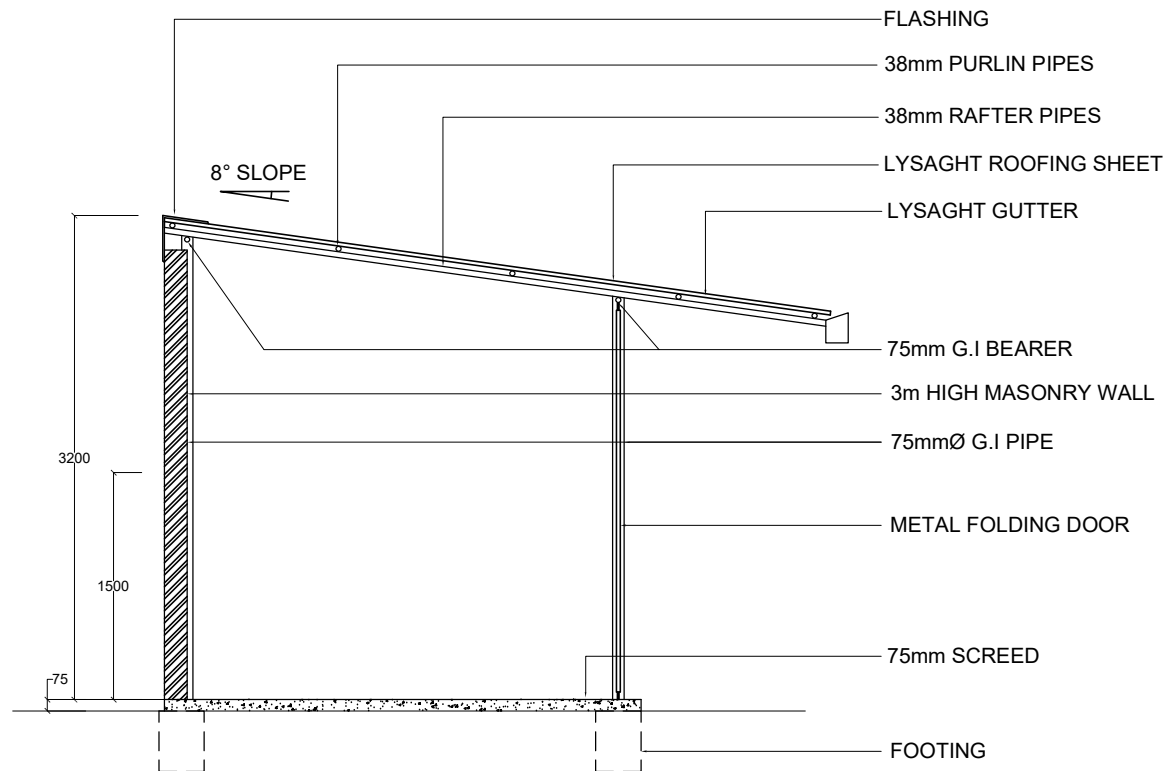


SECTION A
1:50



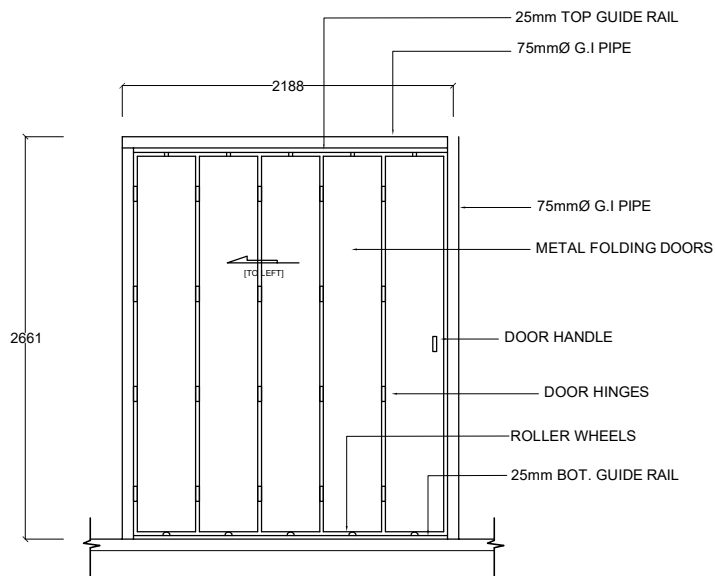
SECTION B
1:50

SECTION C
1:50



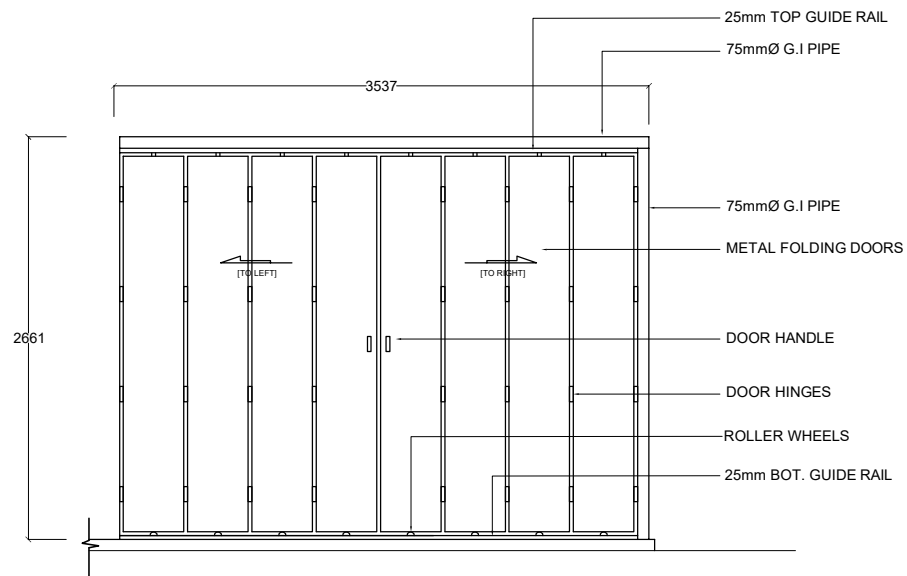
SECTION C

1:50



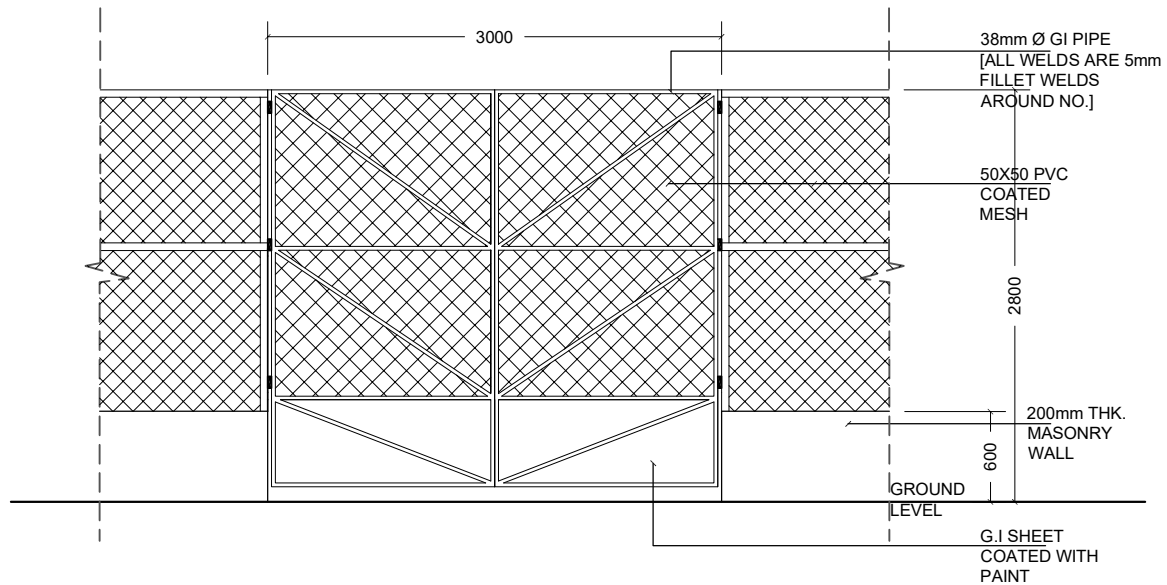
HAZARDOUS WASTE AREA
FOLDING DOOR DETAIL

1:50

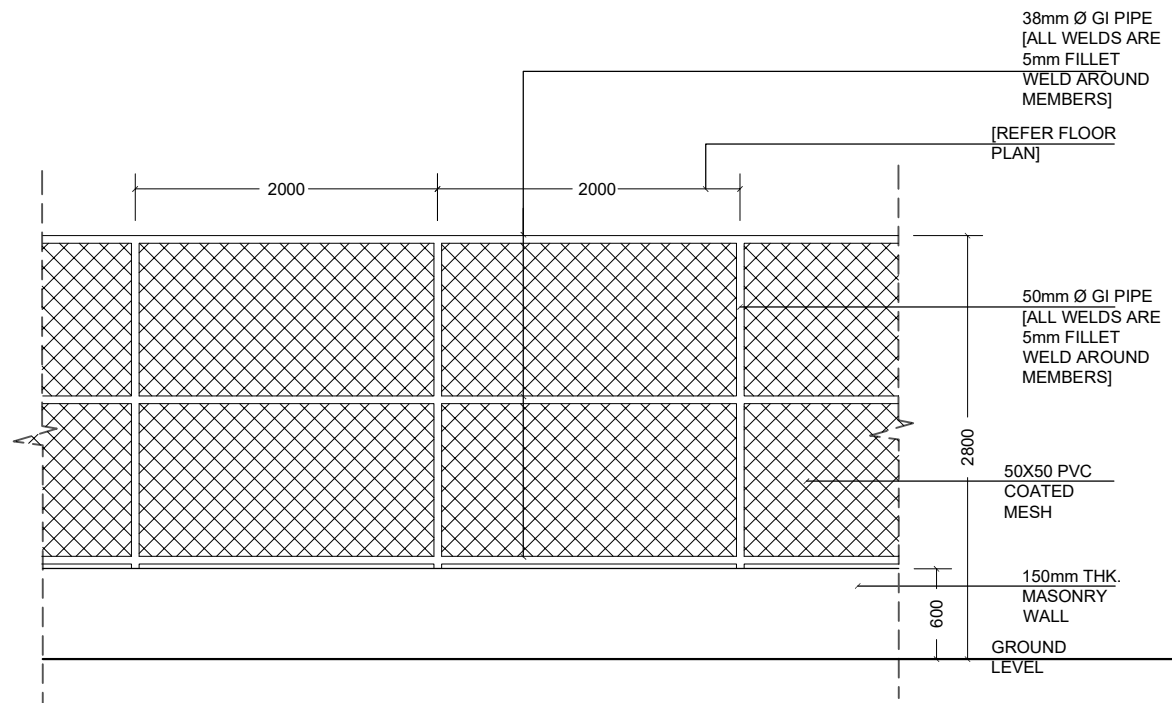


EQUIPMENT ROOM
FOLDING DOOR DETAIL

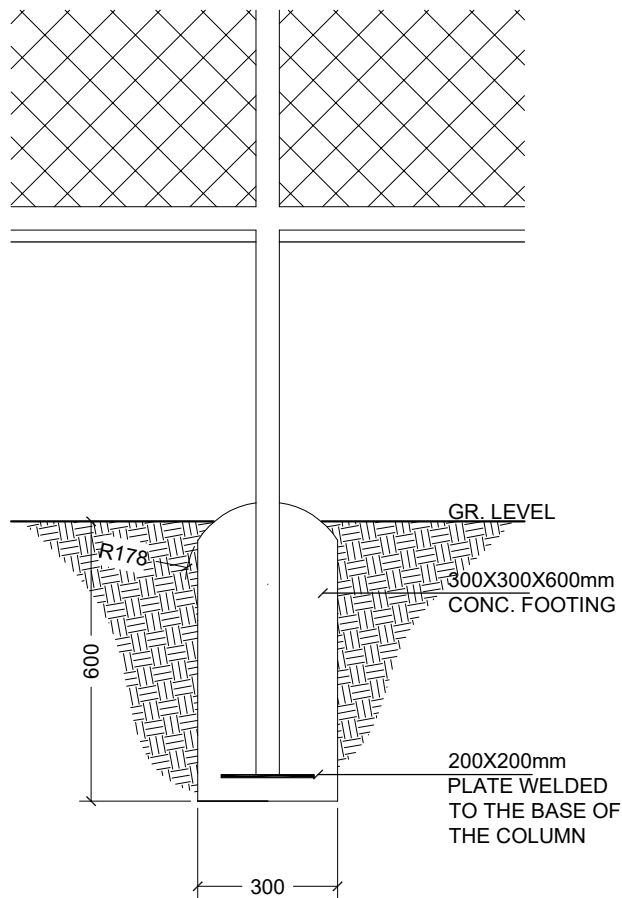
1:50



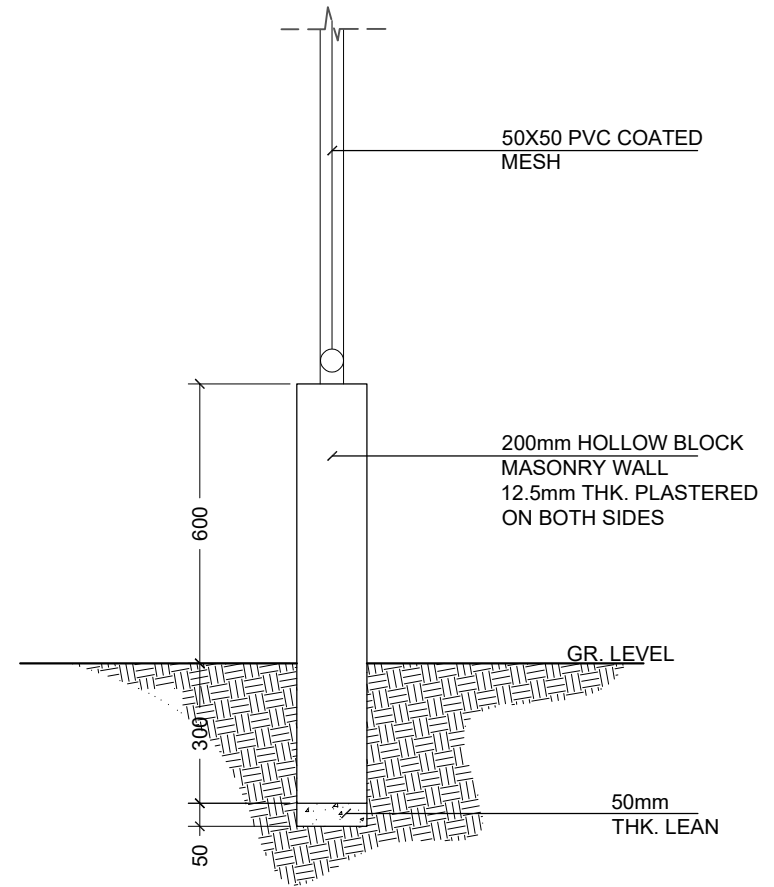
ENTRANCE / EXIT GATE
1:50



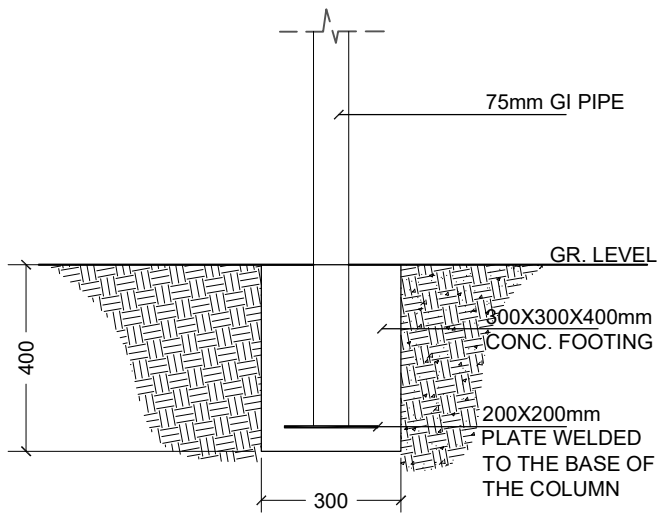
PERIMETER FENCE
1:50



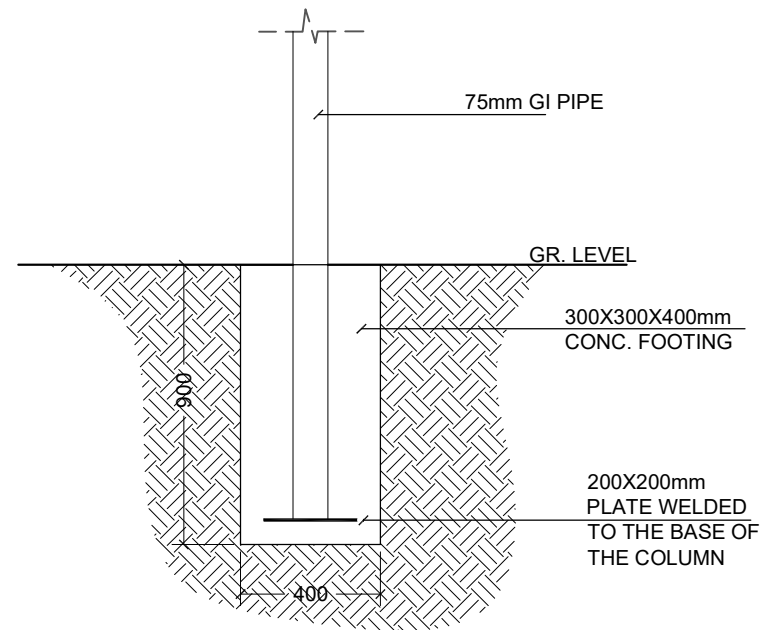
FENCE FOUNDATION DETAIL



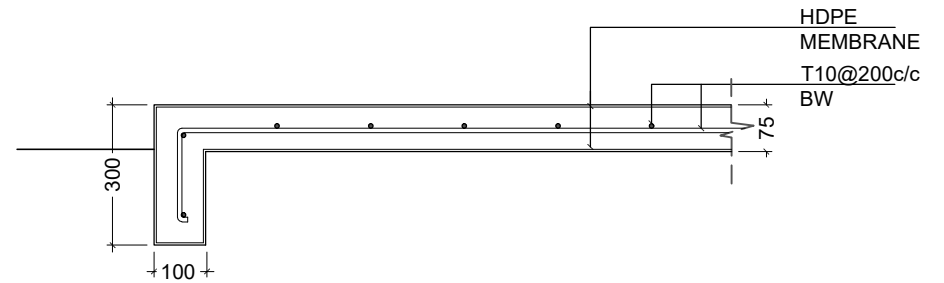
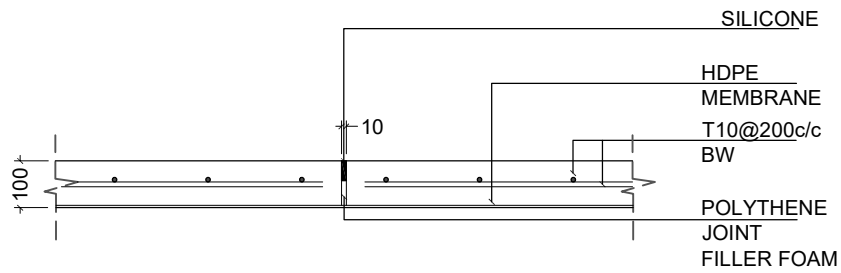
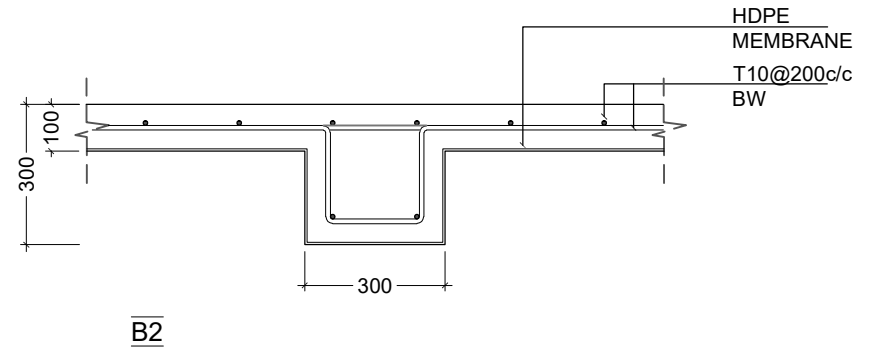
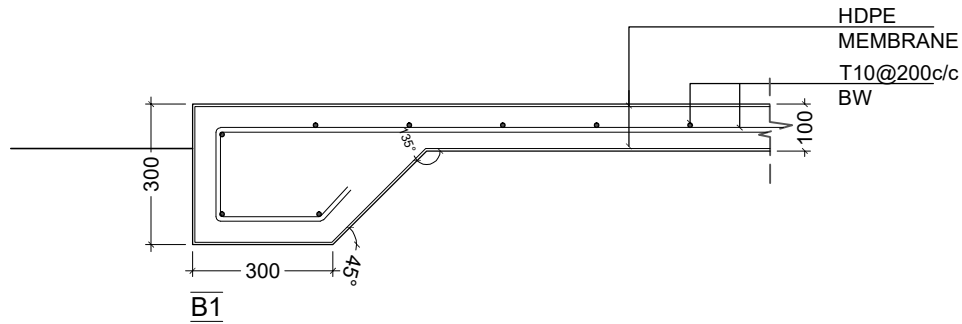
PERIMETER WALL FOUNDATION DETAIL

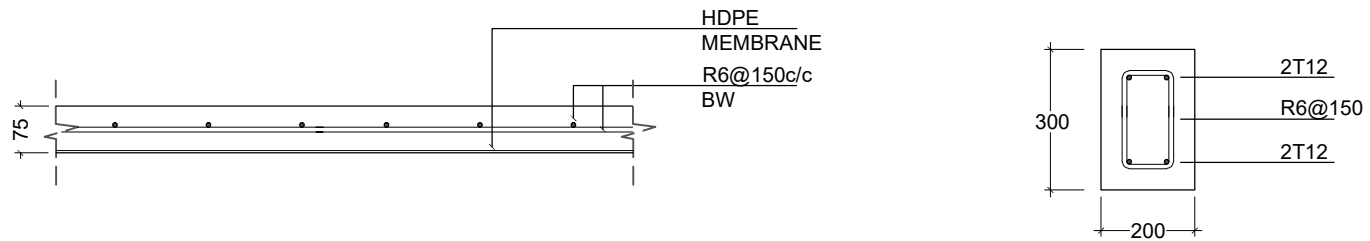
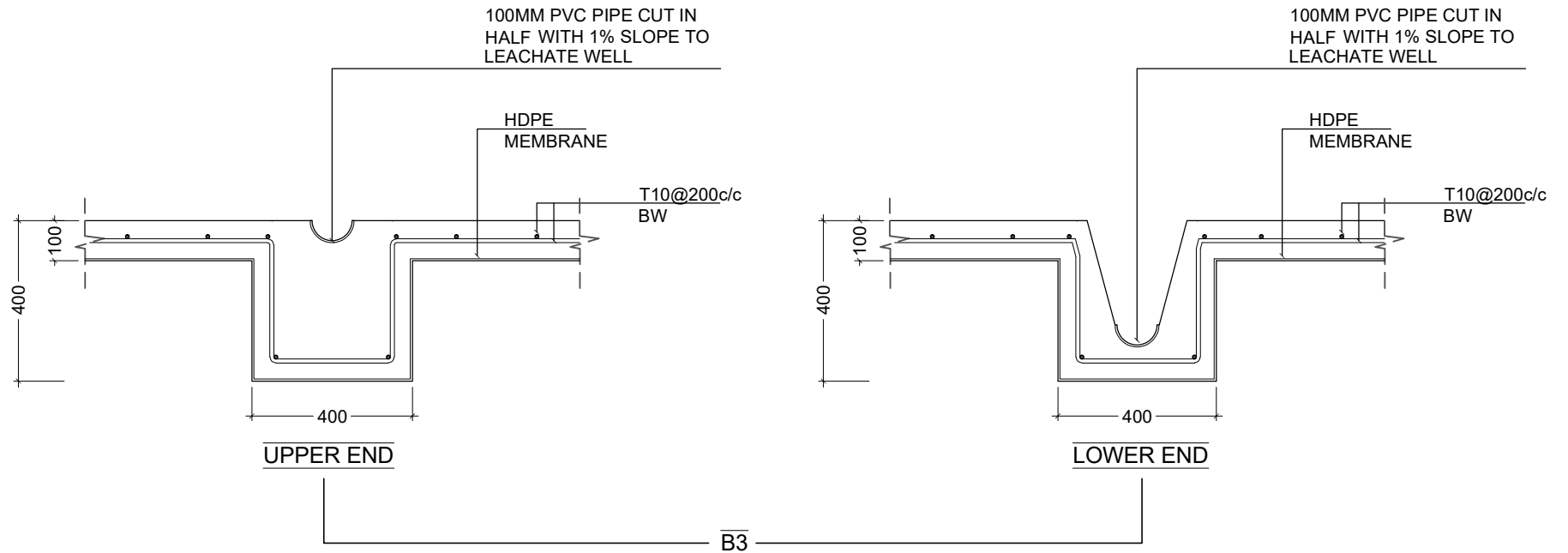


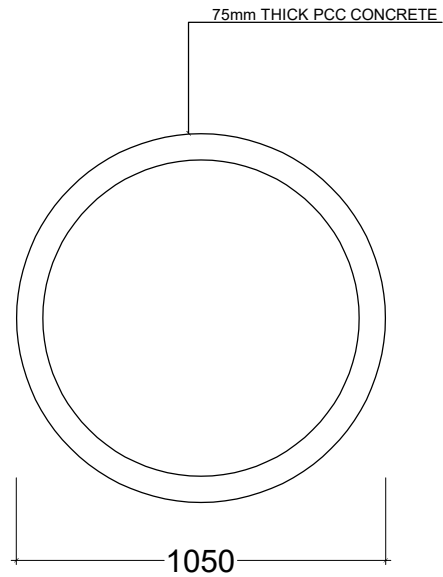
WASTE SORTING AREA
COLUMN FOUNDATION DETAIL



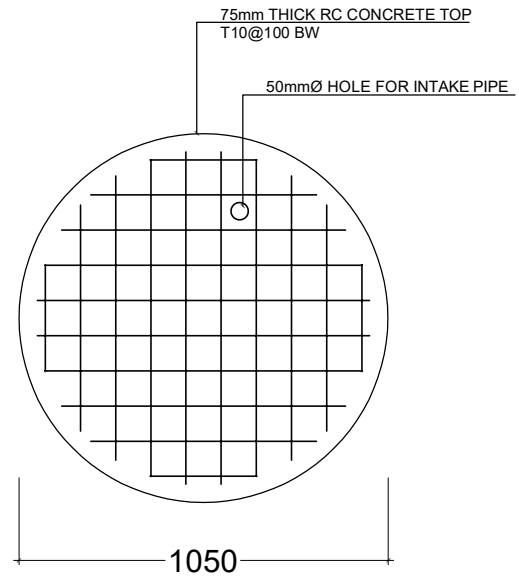
LIGHT POST FOUNDATION



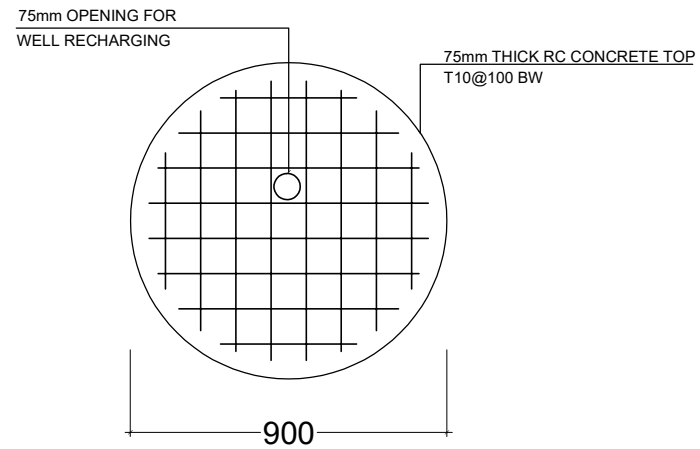




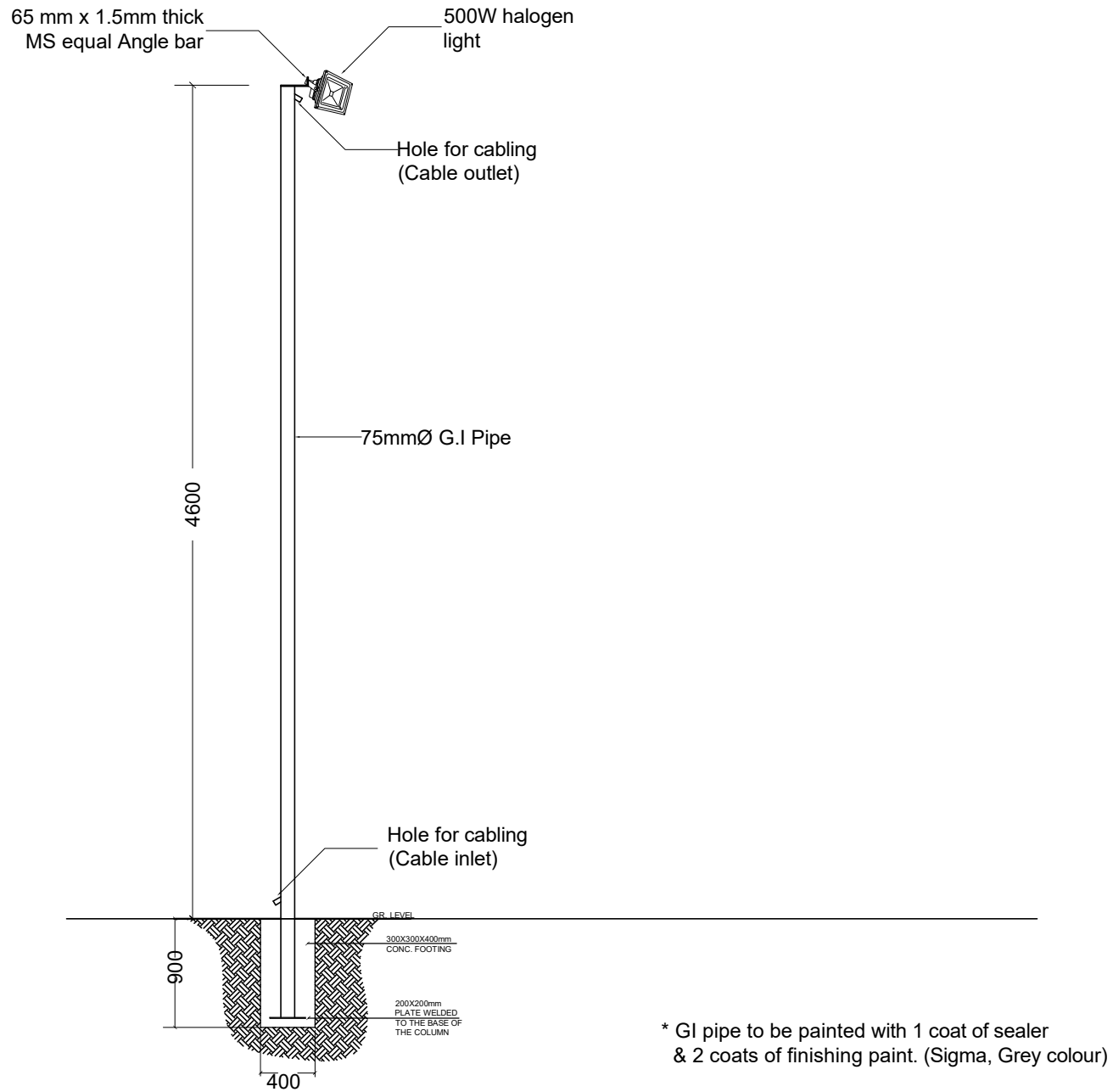
GROUND WATER WELL



GROUND WATER WELL - TOP



GROUND WATER WELL - BASE



LIGHT POST DETAIL