



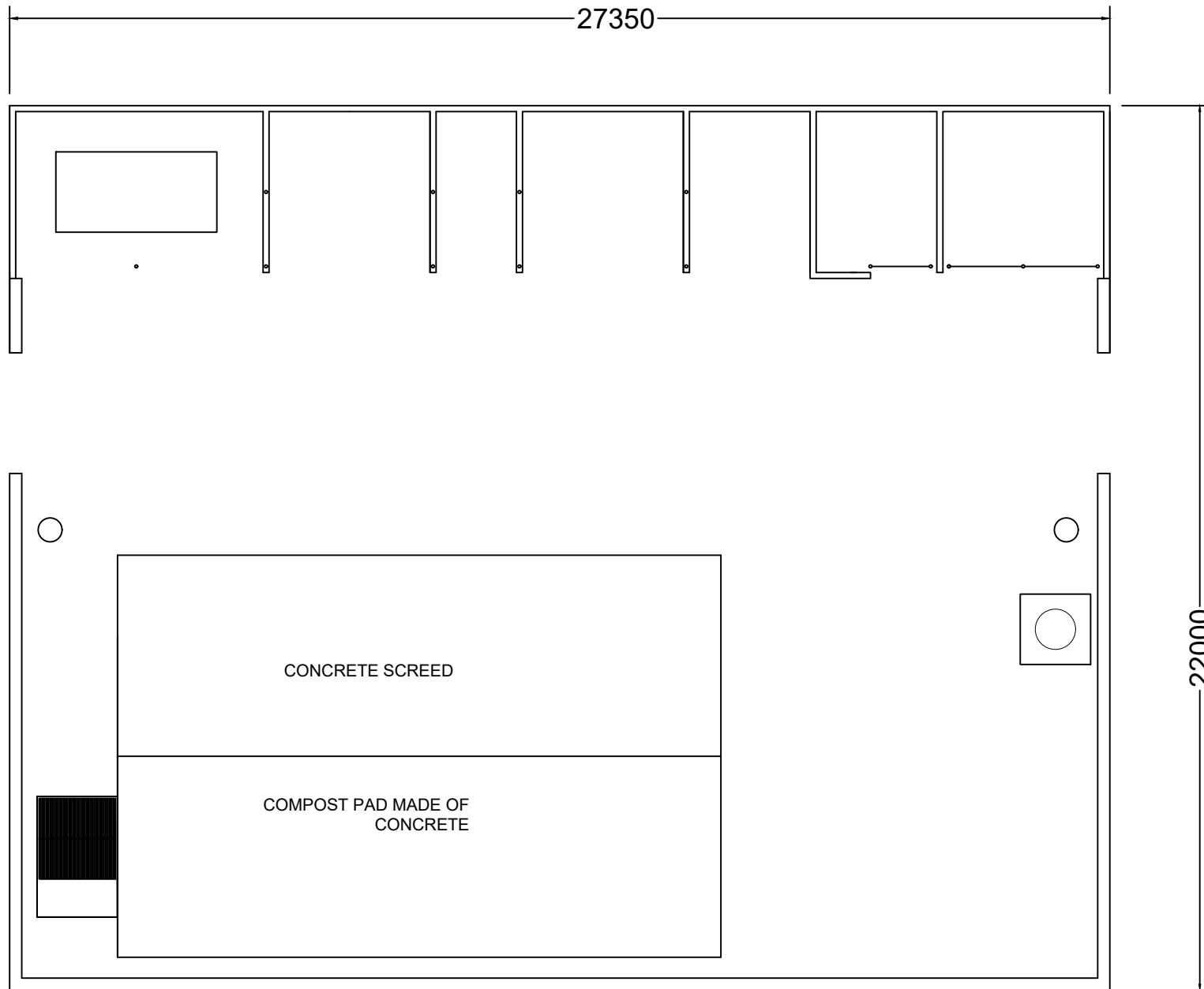
PROJECT:

**CONSTRUCTION OF
AN ISLAND WASTE MANAGEMENT CENTRE
at GA. Kanduhulhudhoo**

PREPARED BY:

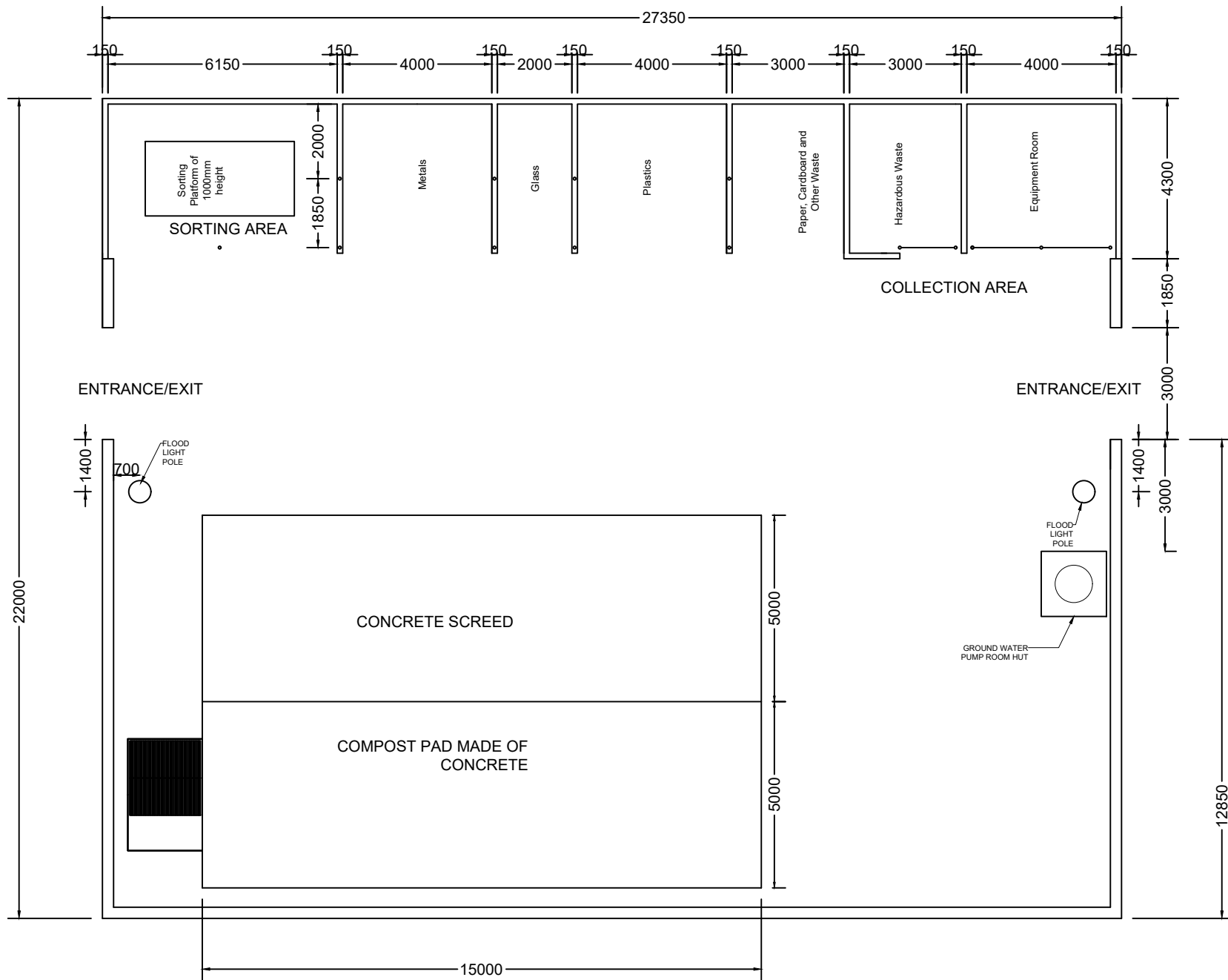
WASTE MANAGEMENT AND POLLUTION CONTROL DEPARTMENT
MINISTRY OF ENVIRONMENT AND ENERGY

JUNE 2017



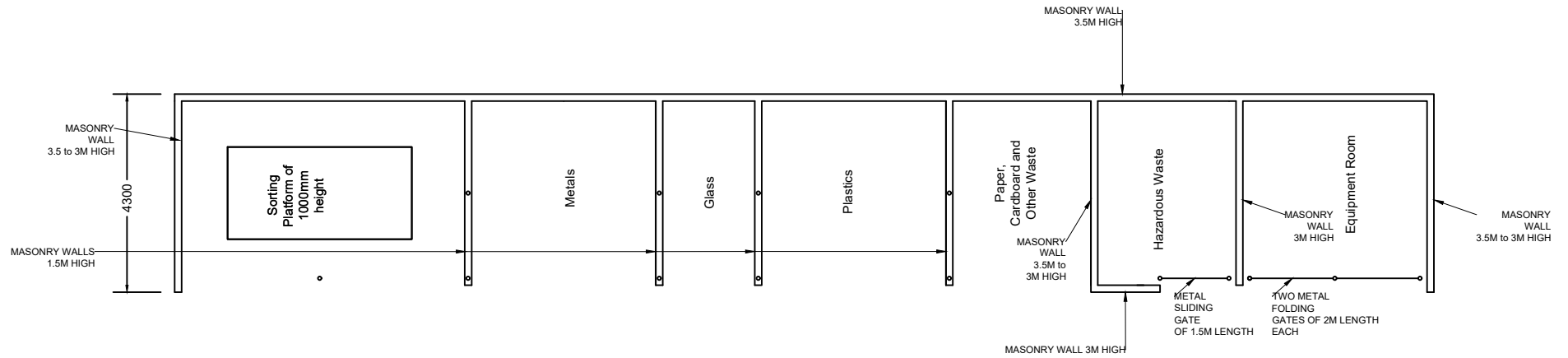
SITE LAYOUT





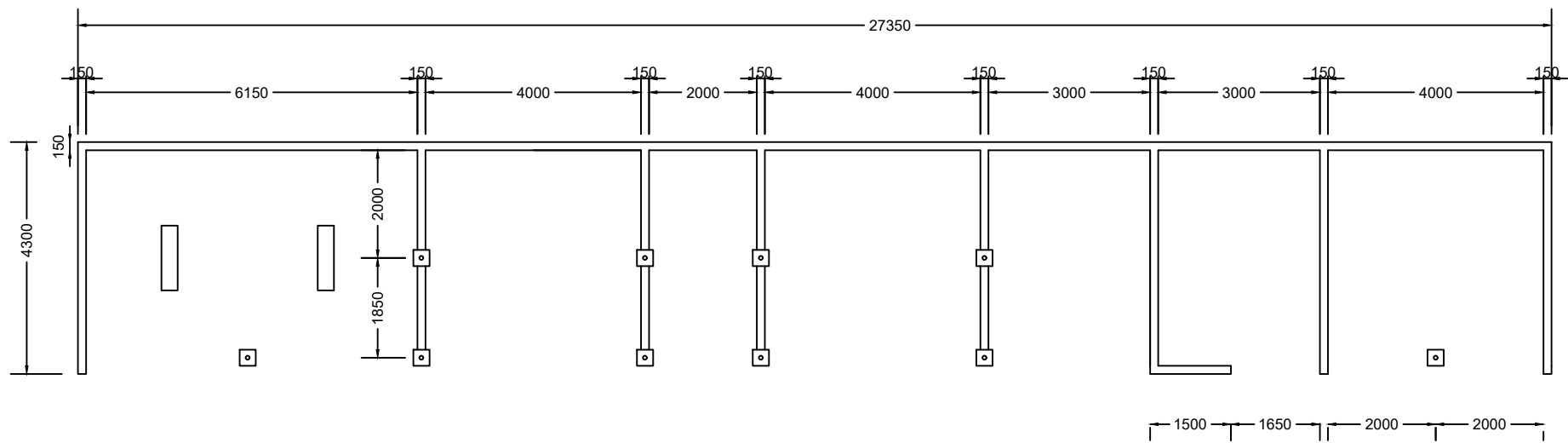
SITE LAYOUT





COLLECTION BAY - PLANS

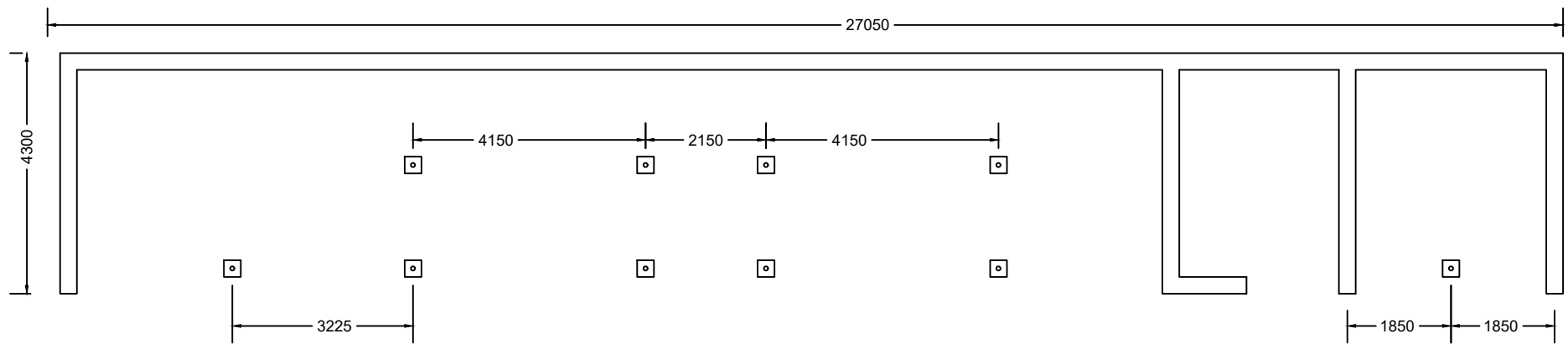




FLOOR PLAN

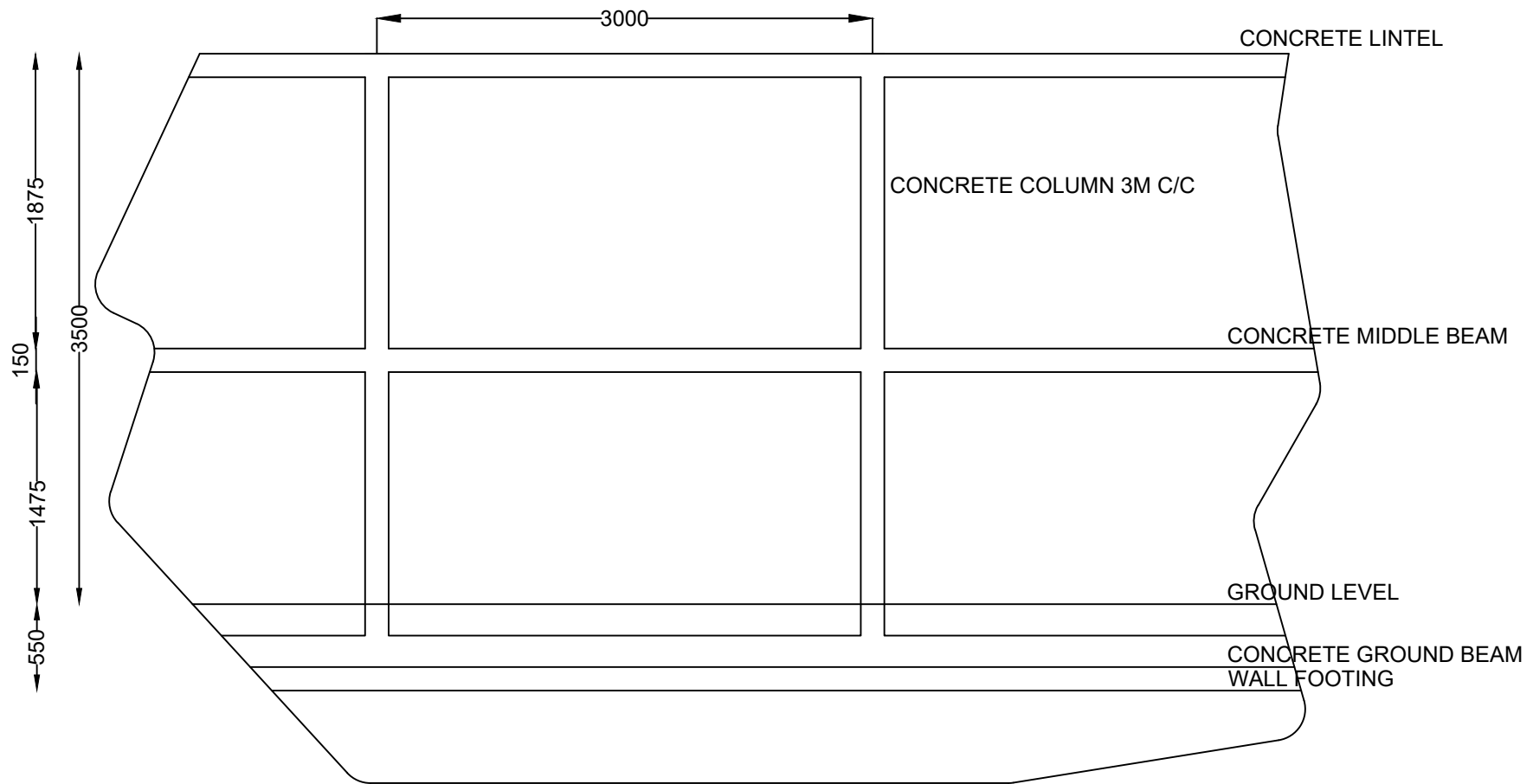
COLLECTION BAY - FLOOR PLAN





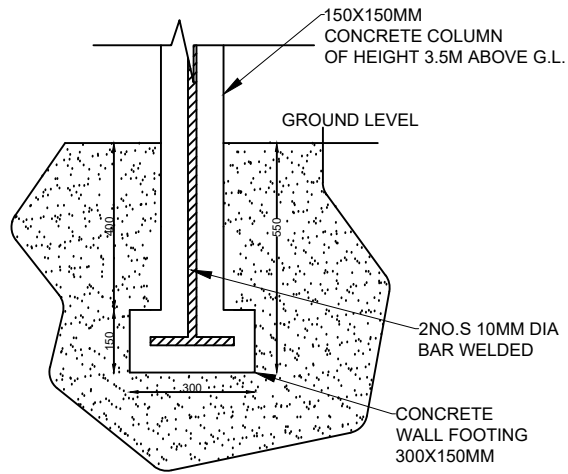
COLLECTION BAY - FOUNDATION PLAN



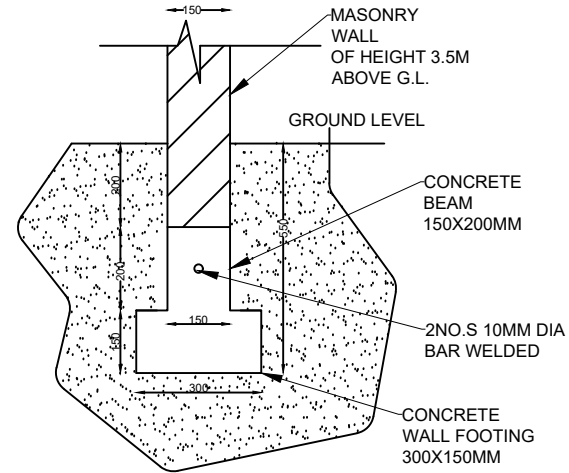


COLLECTION BAY - WALL

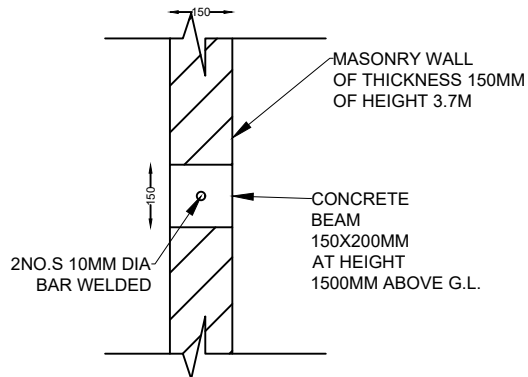




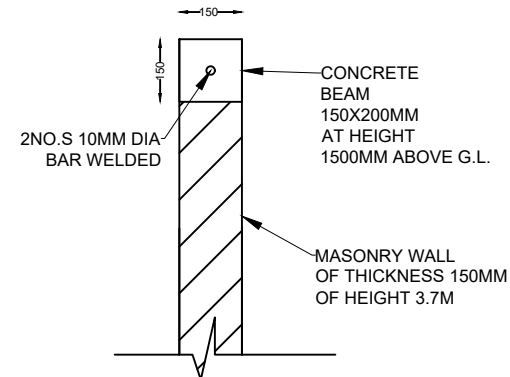
COLUMN DETAILS



BEAM AND WALL FOOTING DETAILS

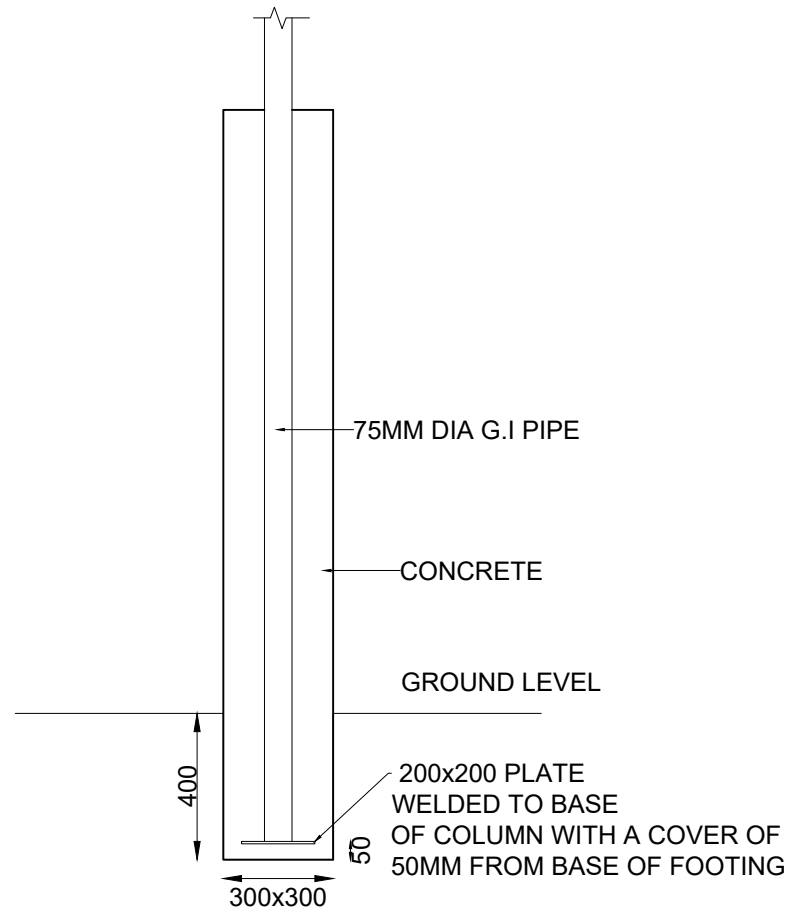


MIDDLE BEAM DETAILS



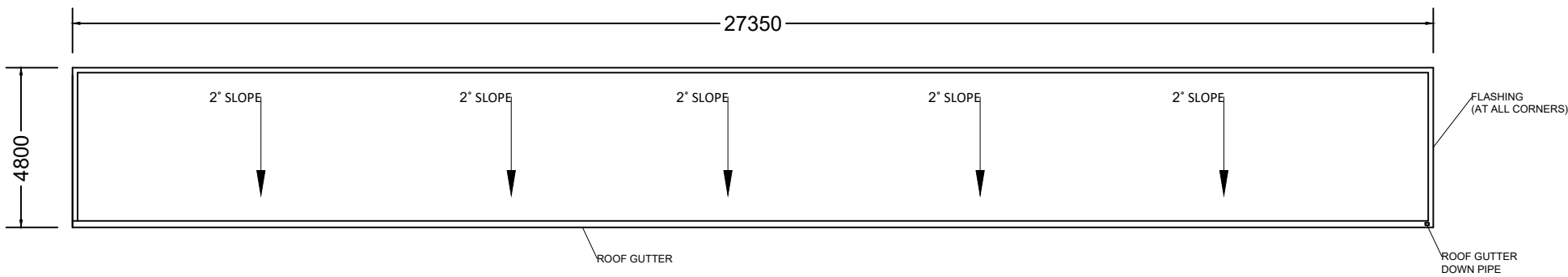
LINTEL DETAILS

COLLECTION BAY - WALL DETAILS



COLLECTION BAY
G.I. PIPE COLUMN FOUNDATION

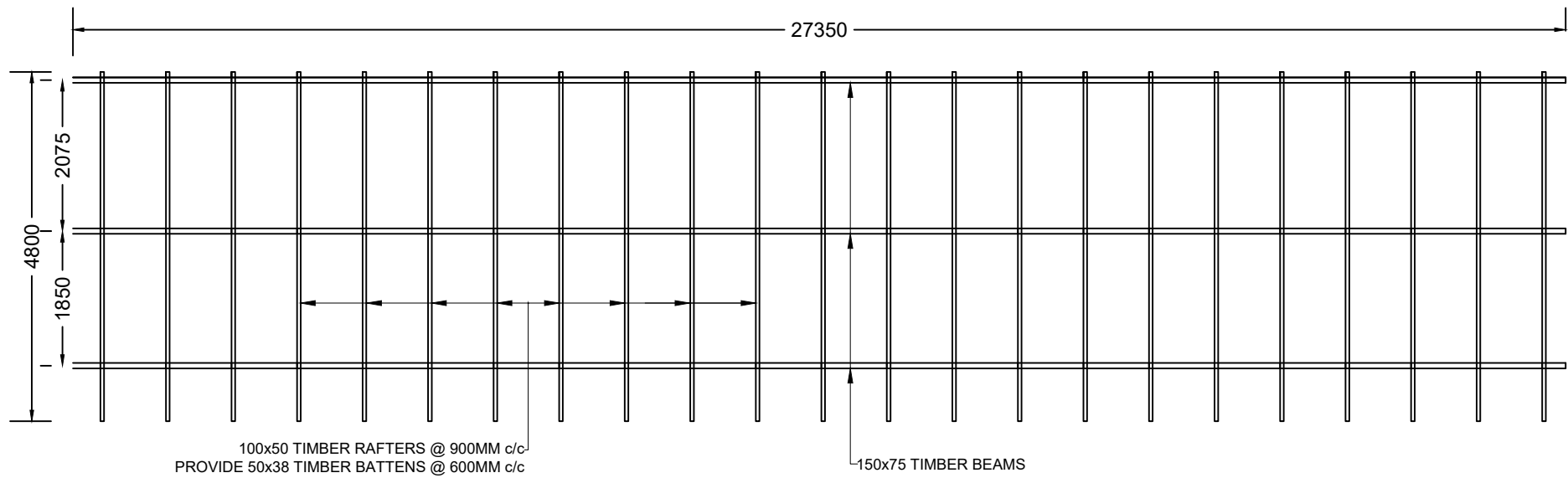
COLLECTION BAY - G.I PIPE COLUMN FOUNDATION DETAILS



ROOF PLAN

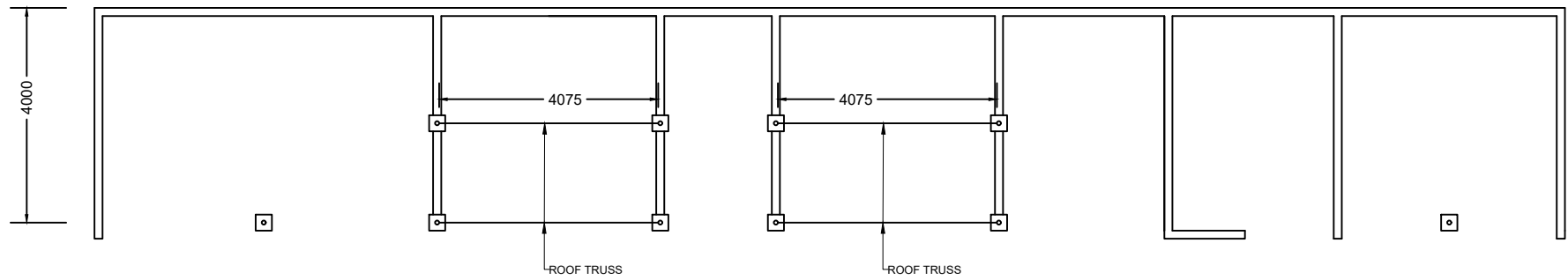
COLLECTION BAY - ROOF PLAN





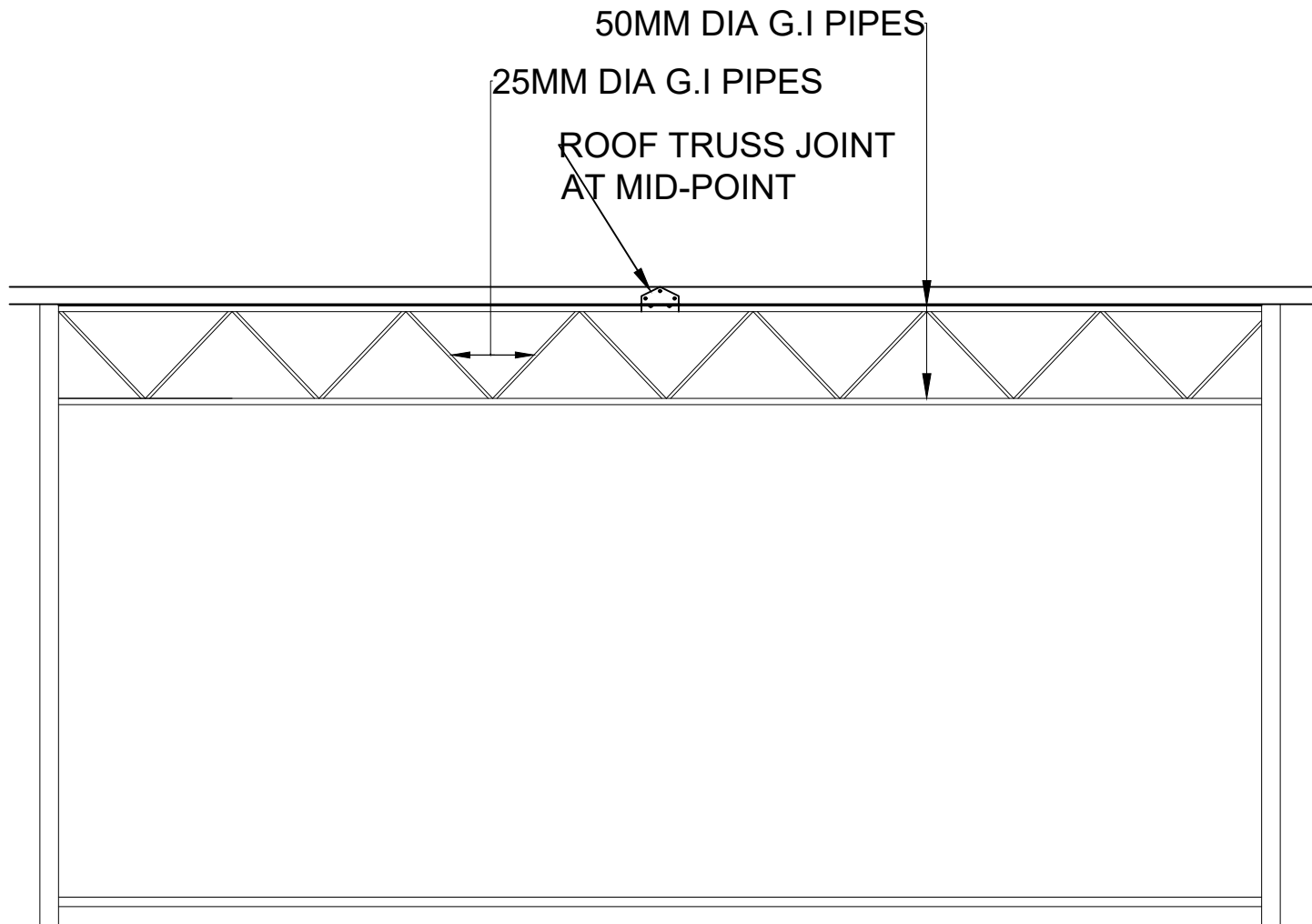
COLLECTION BAY - ROOF FRAMING PLANS



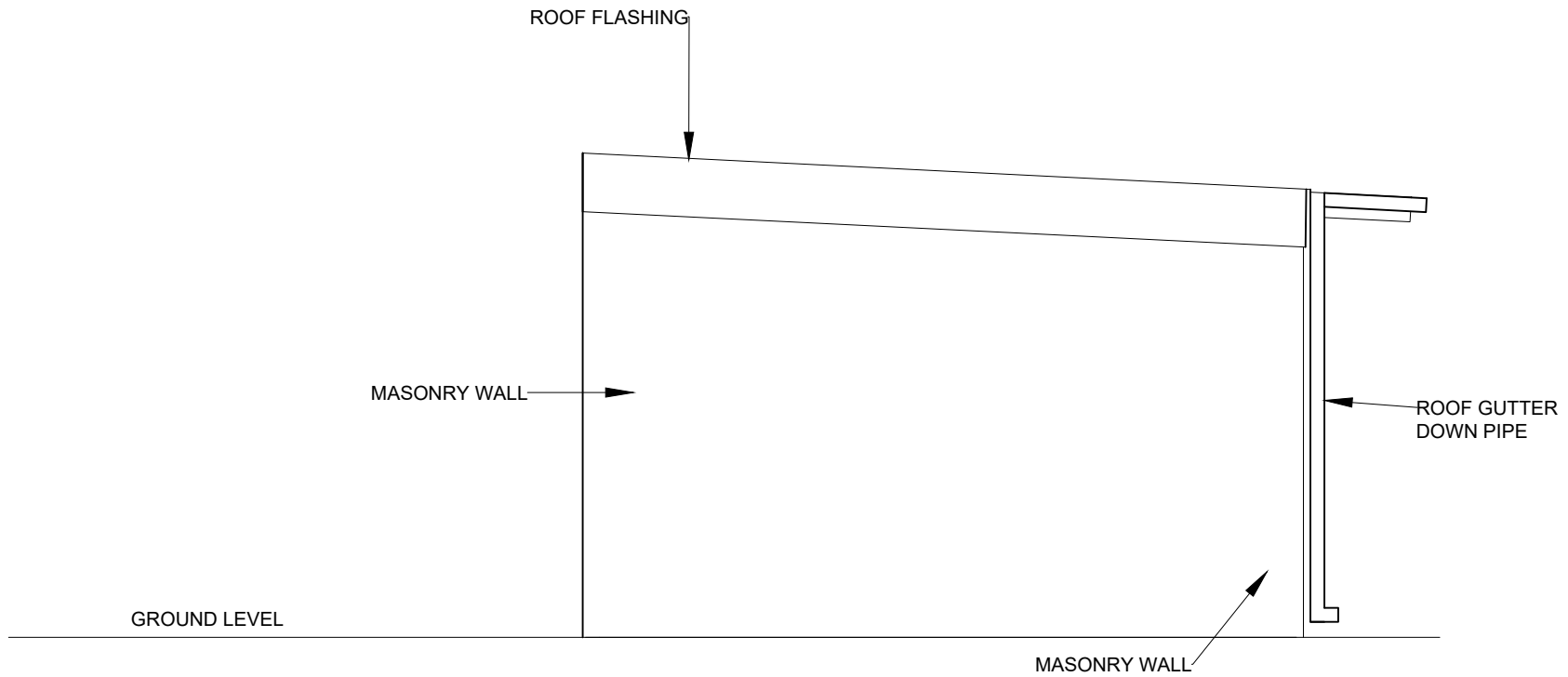


COLLECTION BAY - ROOF TRUSS PLAN

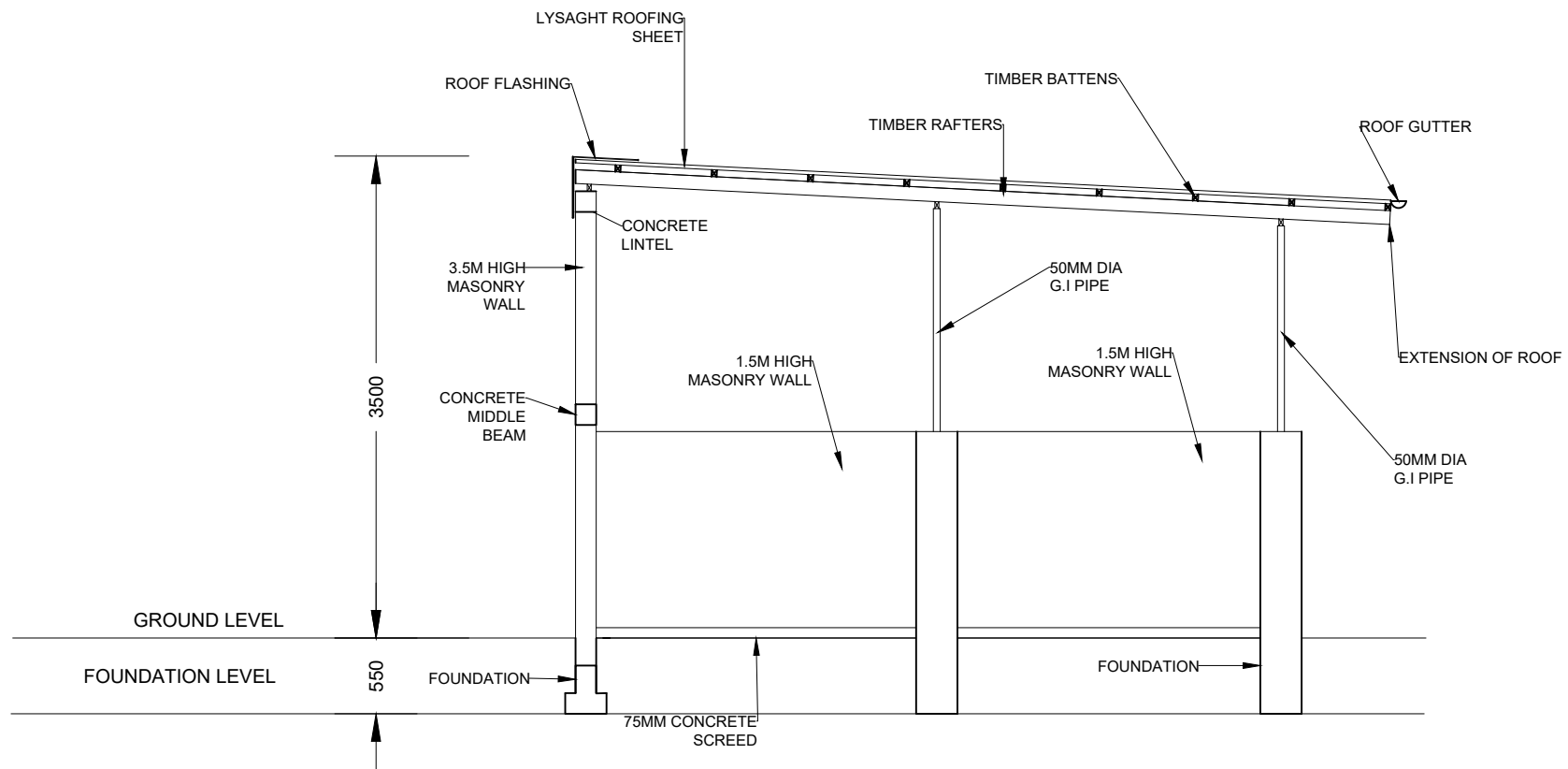




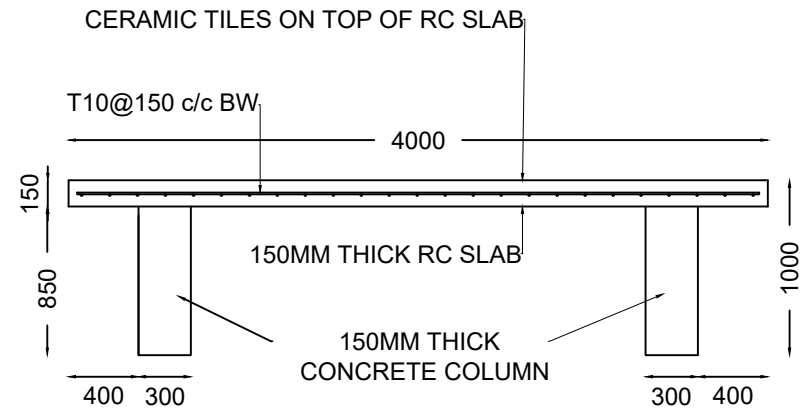
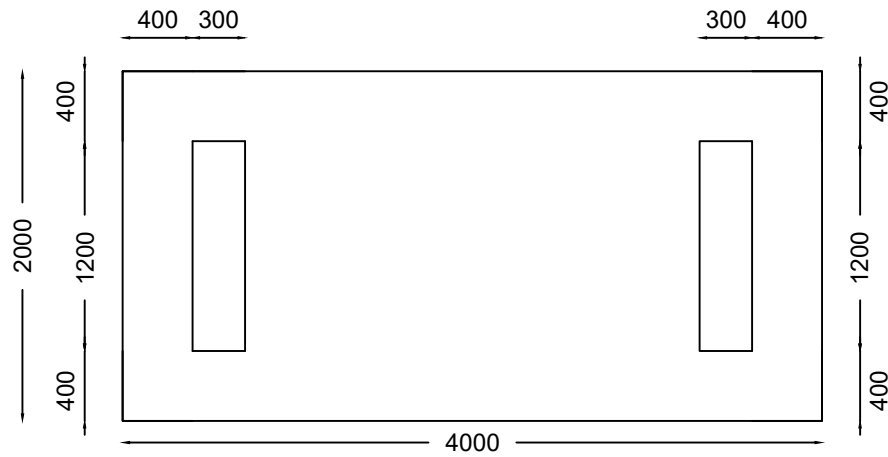
COLLECTION BAY - TRUSS DETAILS



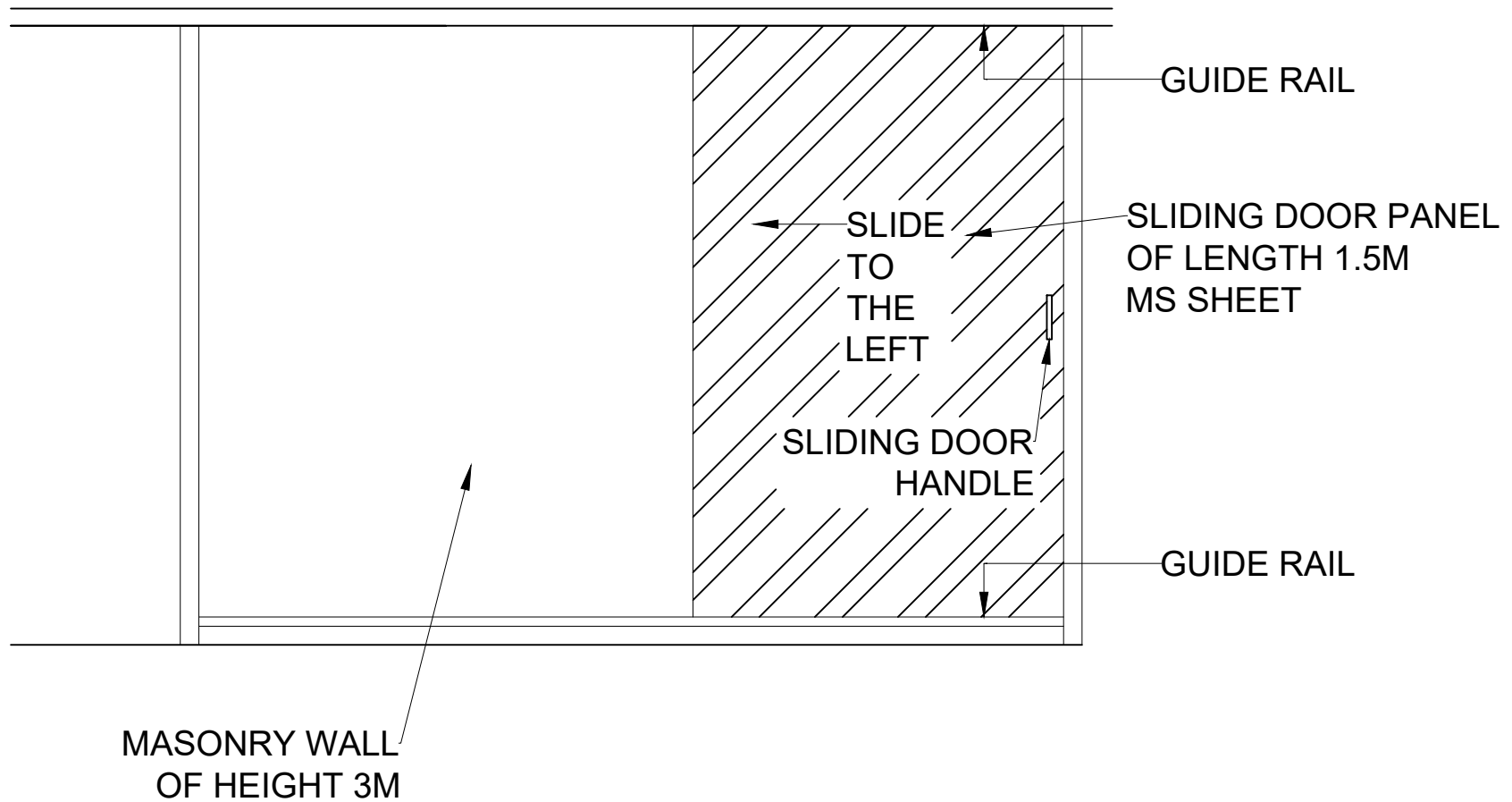
COLLECTION BAY - SIDE ELEVATION



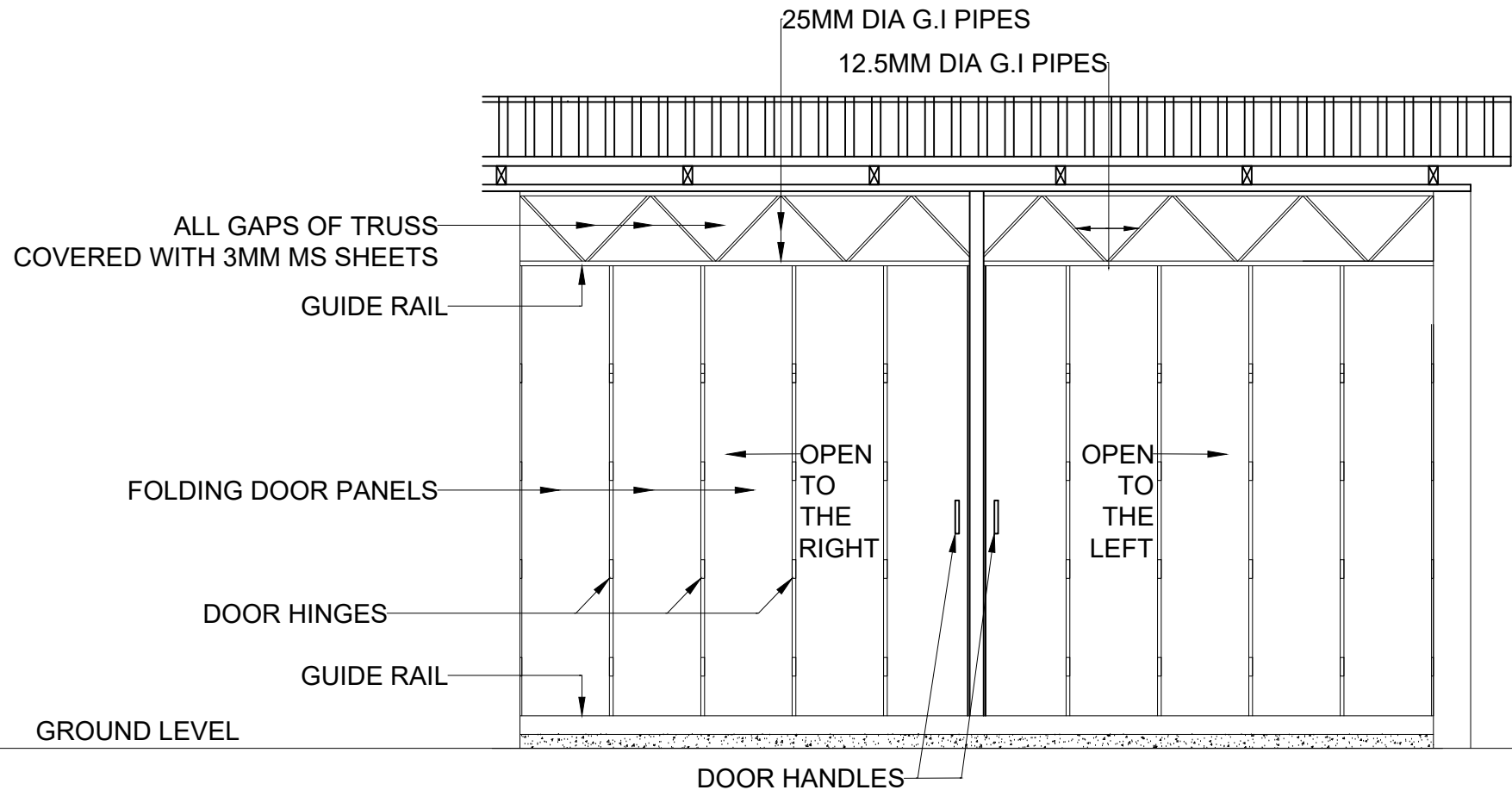
COLLECTION BAY - CROSS SECTION



SORTING AREA - SORTING PLATFORM DETAILS

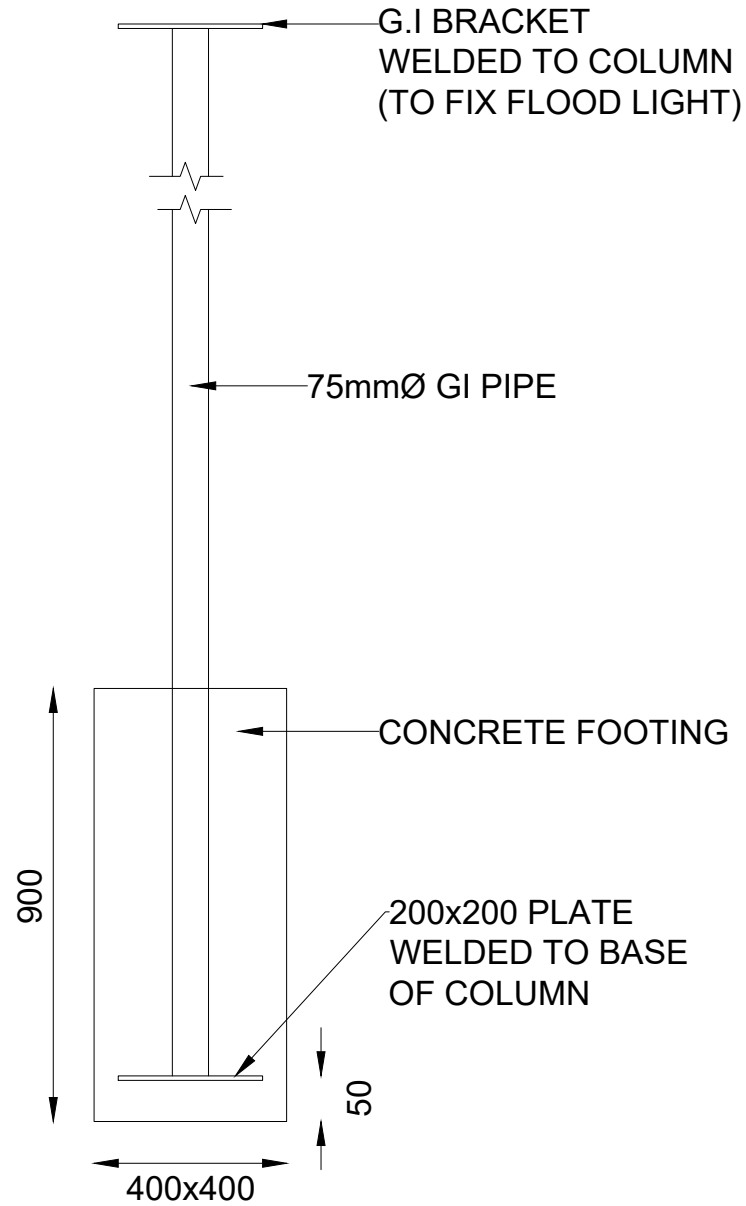


HAZARDOUS WASTE STORAGE ROOM - METAL SLIDING DOOR DETAIL

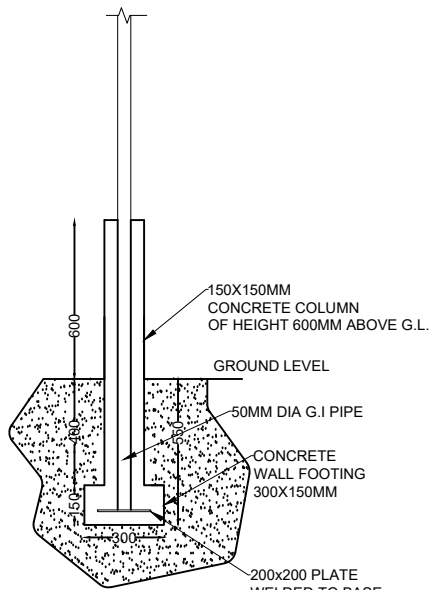


NOTE: ALL WELDS FOR TRUSS MEMBERS
ARE 5MM FILLET WELDS

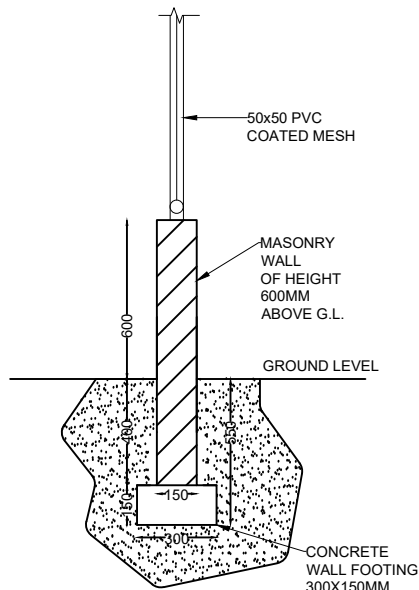
EQUIPMENT ROOM - METAL SLIDING DOOR DETAIL



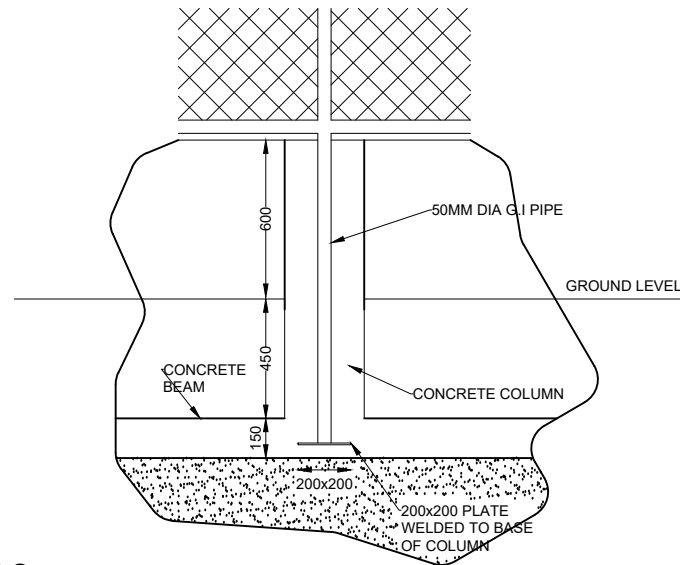
FLOOD LIGHT FOUNDATION DETAILS



PERIMETER WALL
COLUMN DETAILS

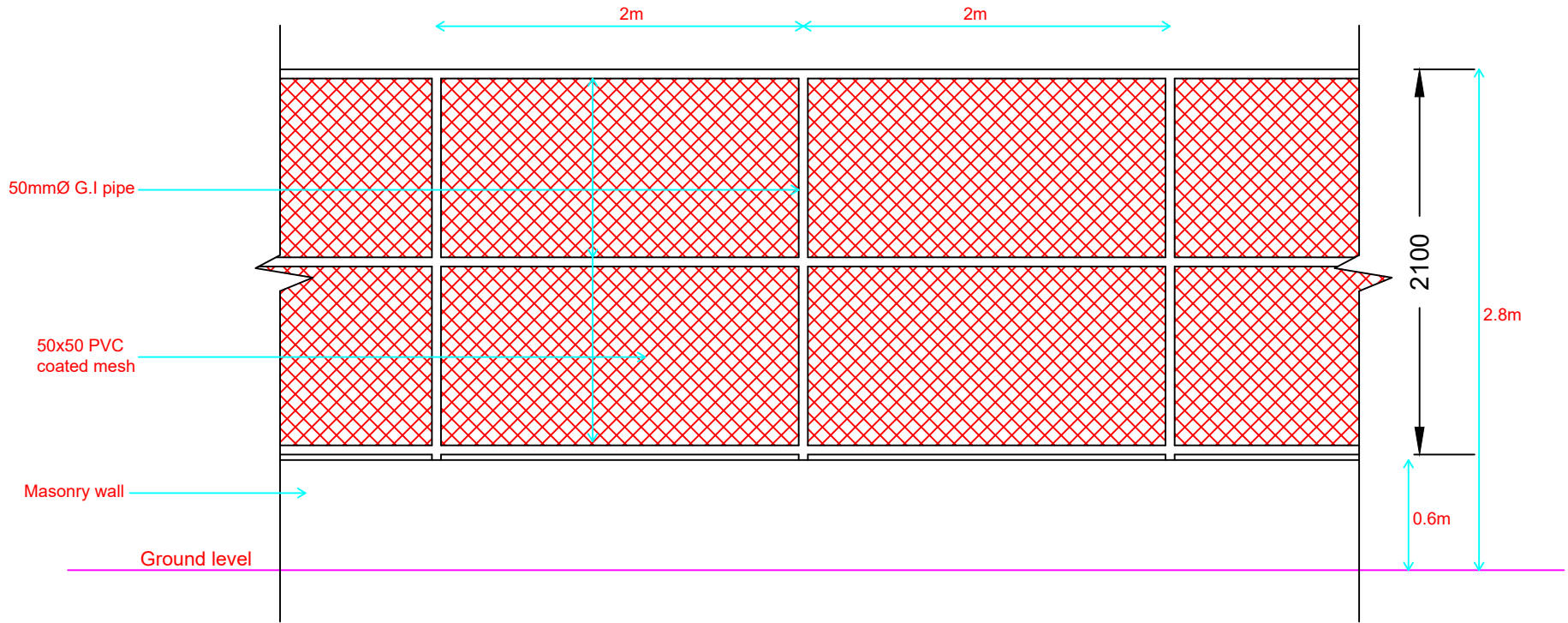


PERIMETER WALL
BEAM AND WALL FOOTING DETAILS



PERIMETER FENCE
FOUNDATION DETAIL

BOUNDARY WALL - BEAM AND COLUMN DETAILS

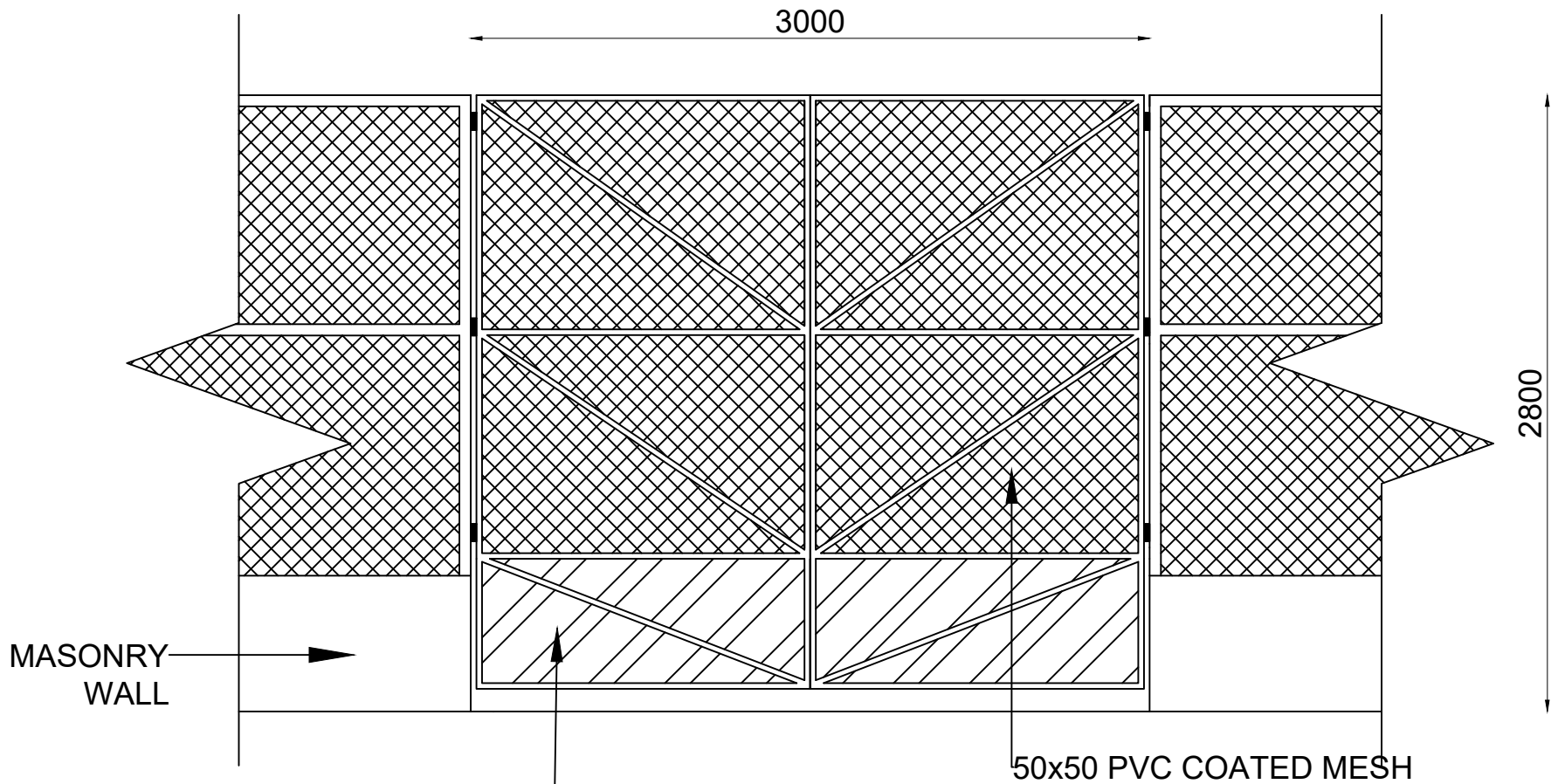


PERIMETER FENCE

NOTE: ALL WELDS
ARE 5mm FILLET
WELD AROUND
MEMBER

FENCE DETAILS

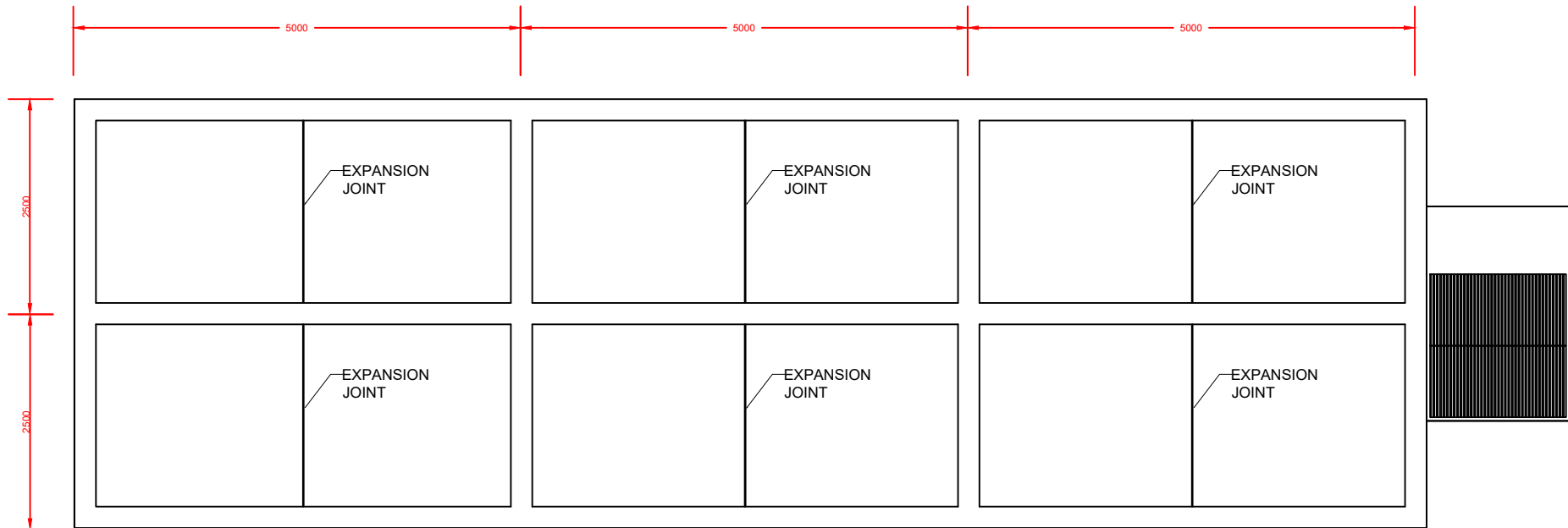




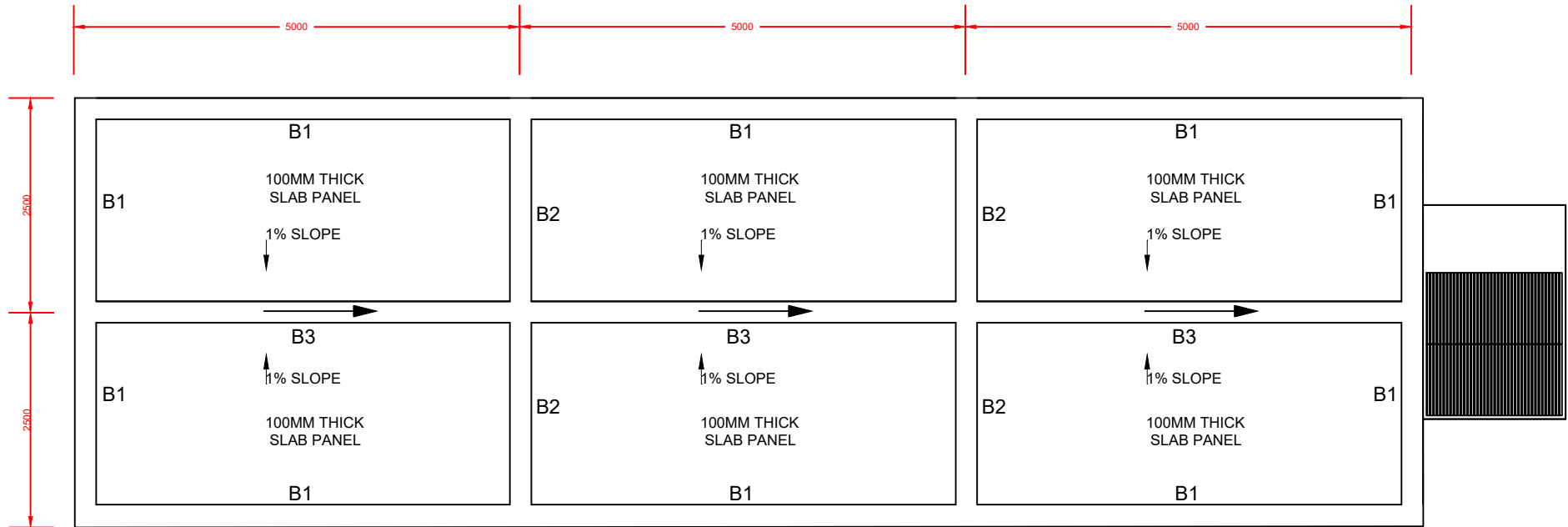
NOTE:
 - DOOR IS MADE FROM 25MM DIA GI PIPE
 - ALL WELDS ARE 5MM FILLET WELDS AROUND MEMBER

MAIN GATE

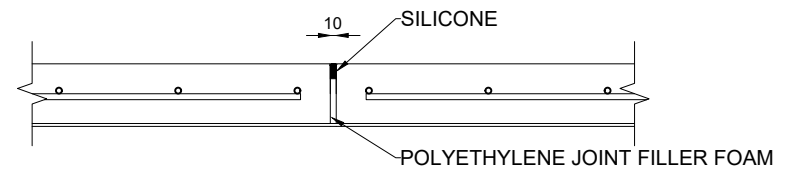
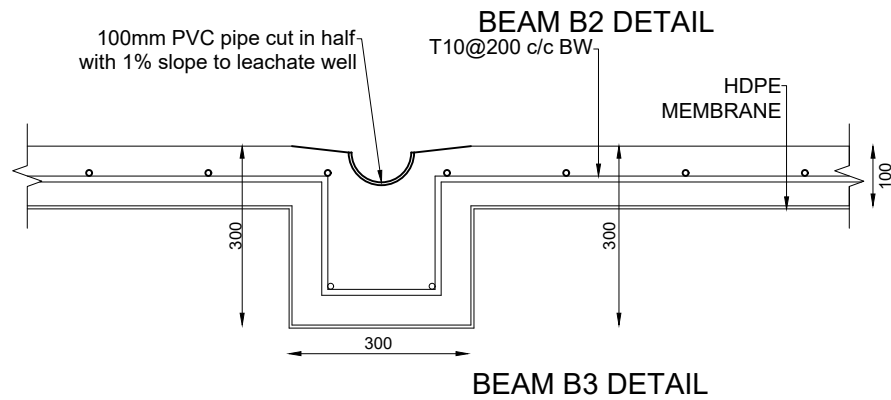
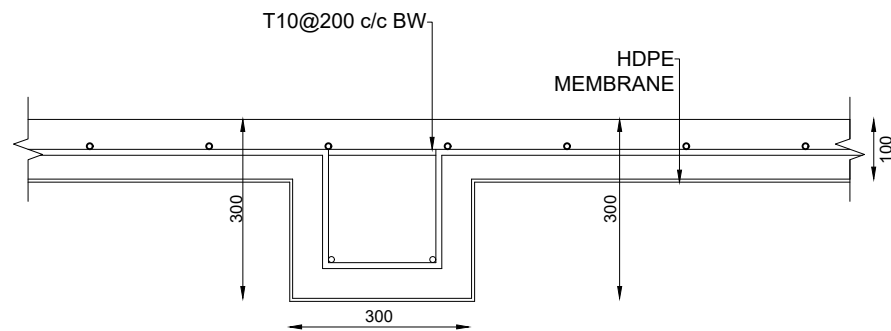
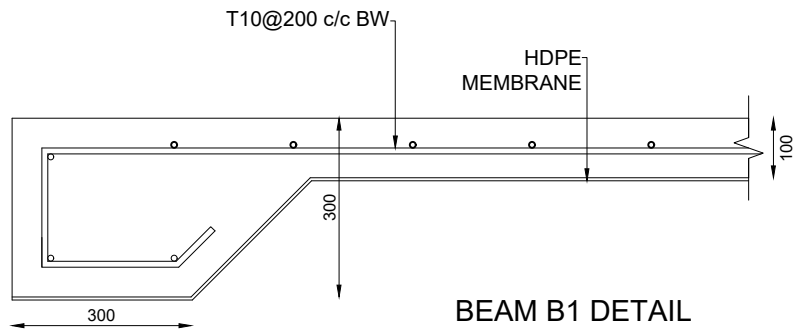




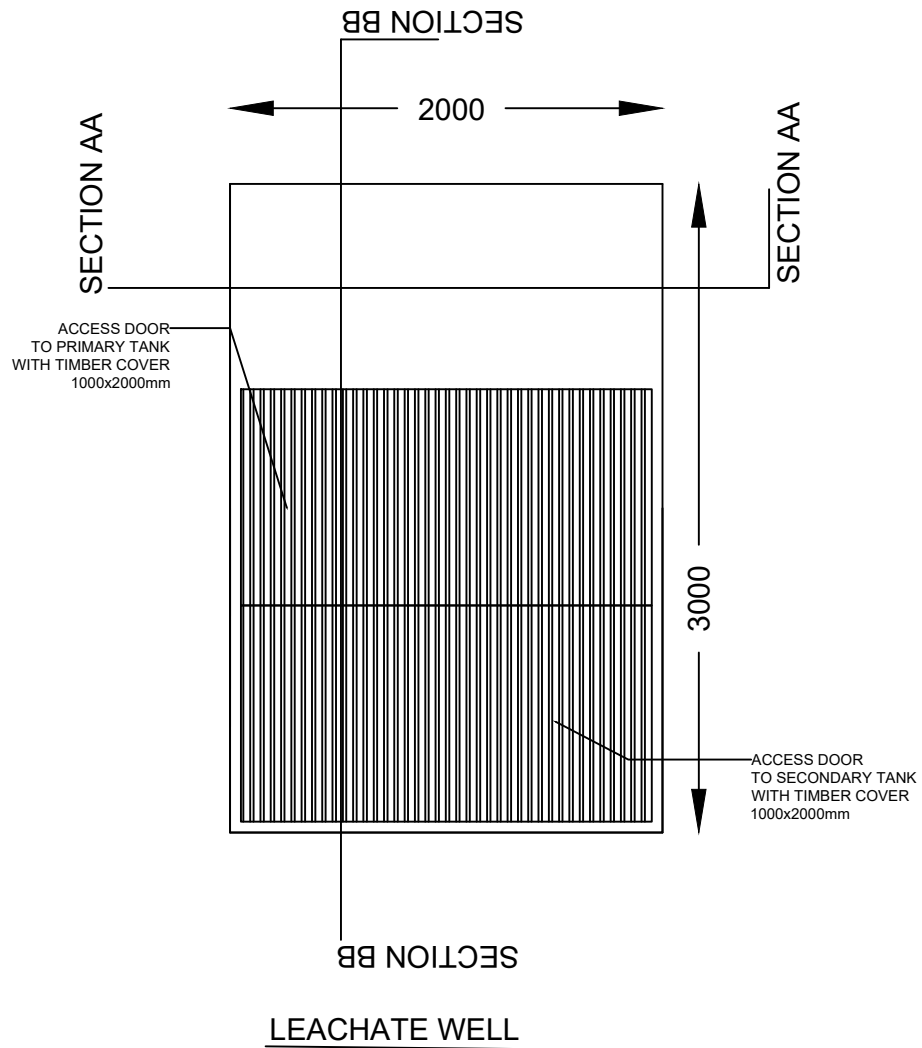
COMPOST SLAB - JOINTS AND SPACINGS



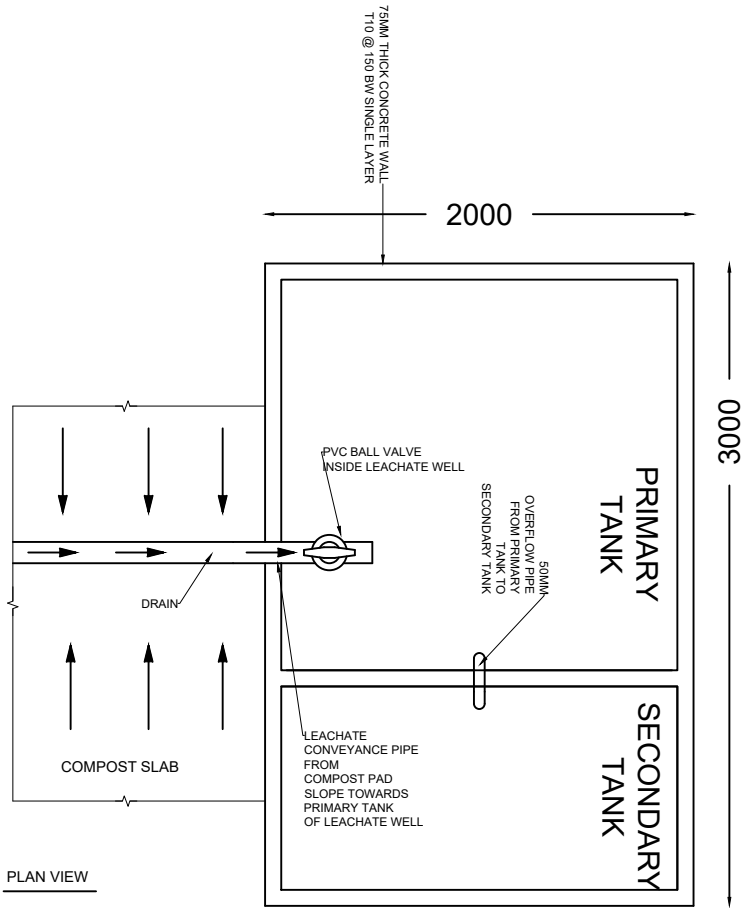
COMPOST SLAB - PLAN



COMPOST SLAB BEAM DETAILS

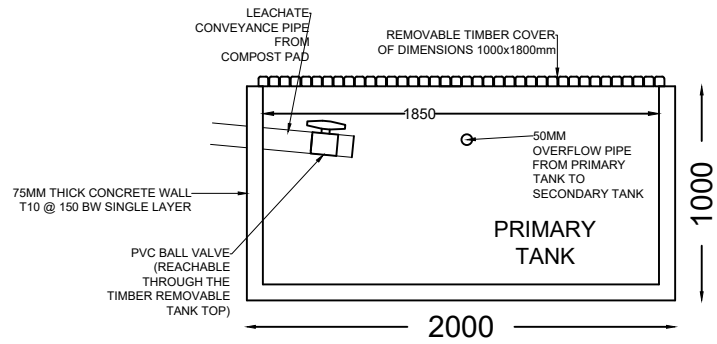


LEACHATE COLLECTION TANK

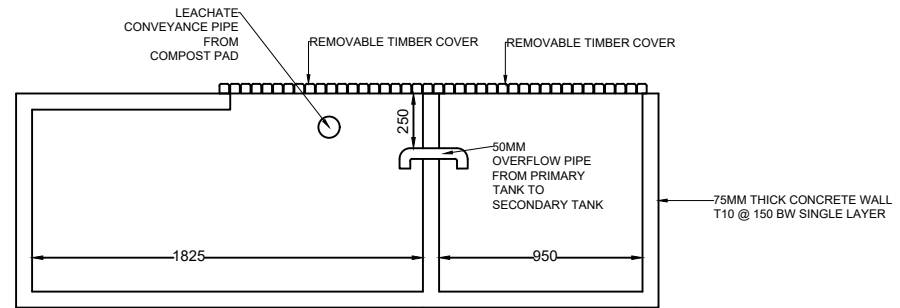


PLAN

LEACHATE WELL DETAILS

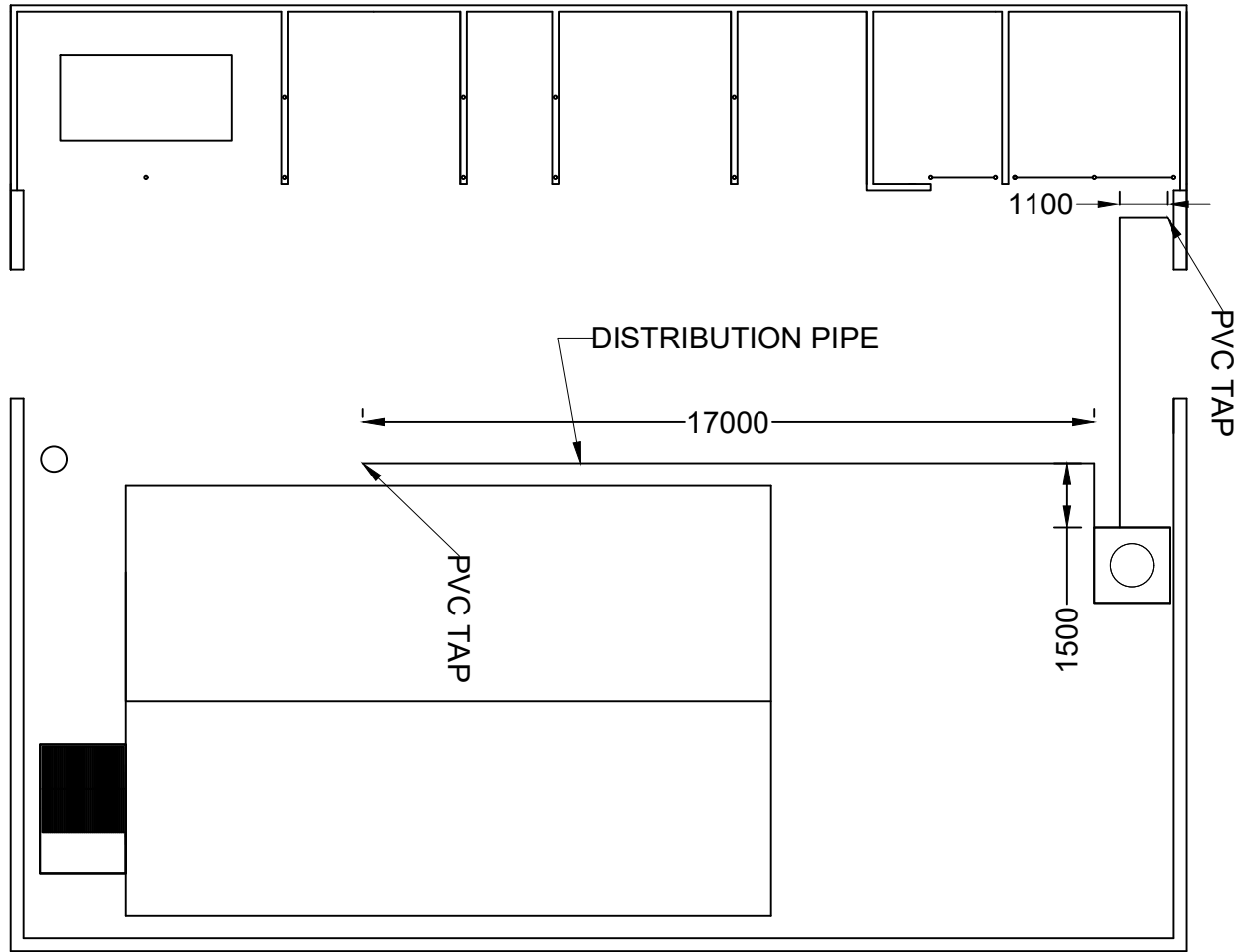


SECTION AA



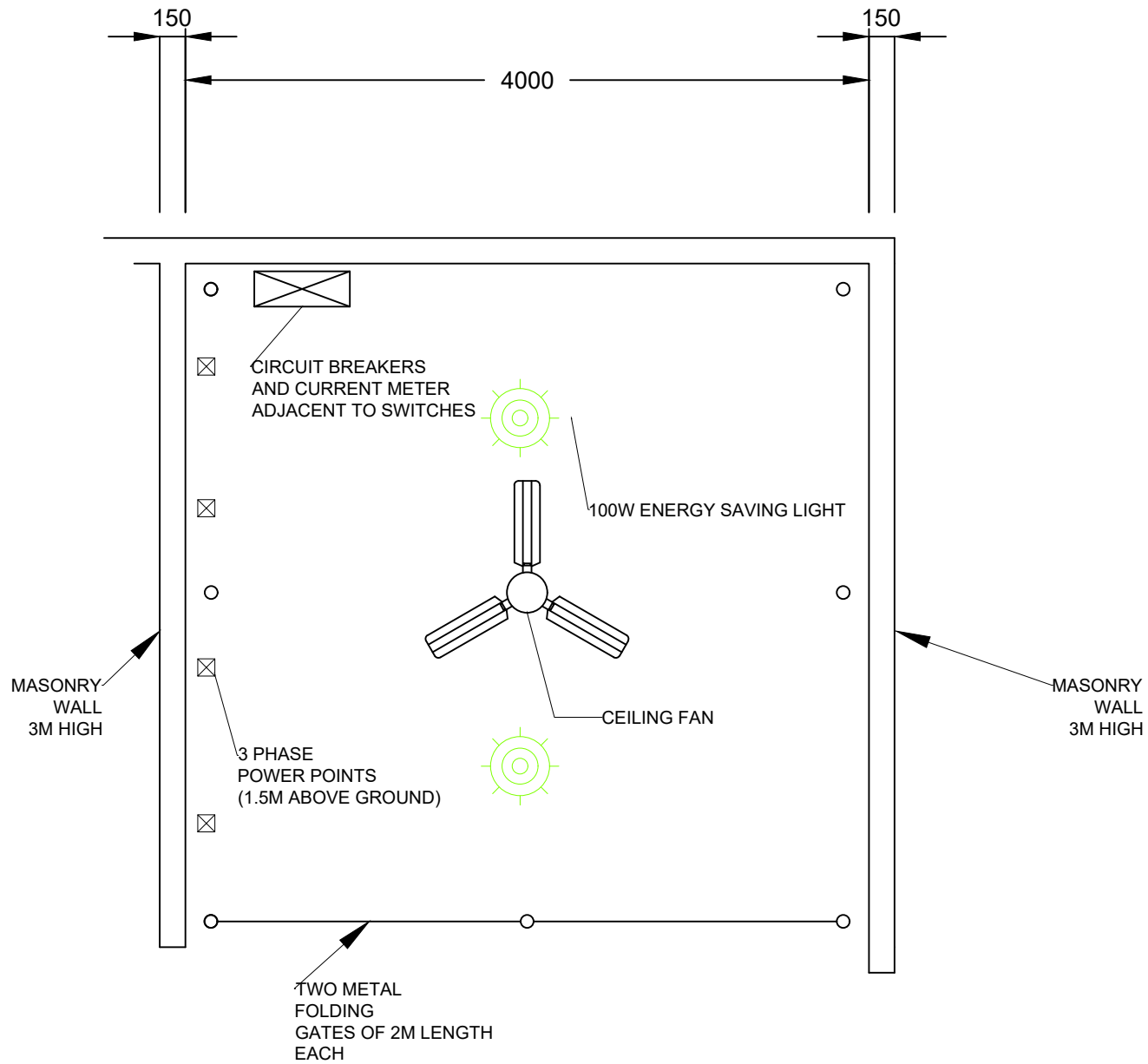
SECTION BB

LEACHATE COLLECTION TANK - DETAILS

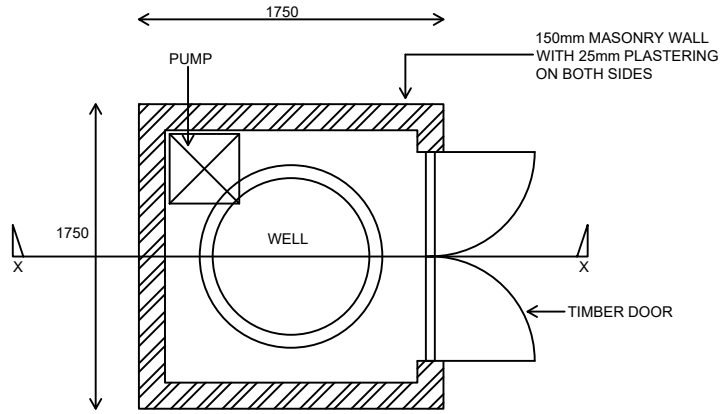


PLUMBING LAYOUT

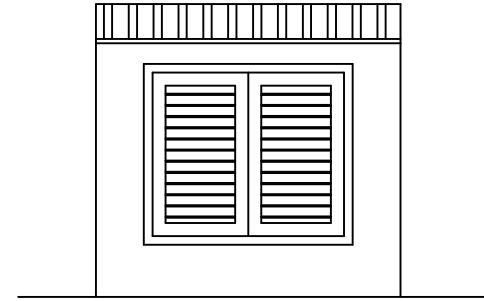




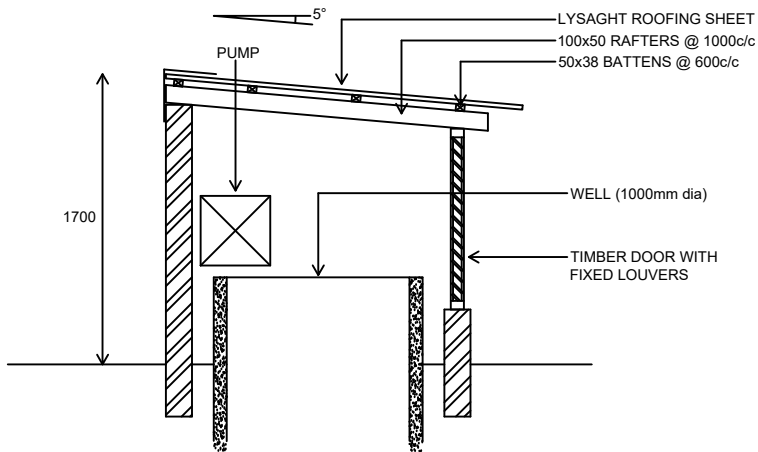
ELECTRICAL LAYOUT - EQUIPMENT ROOM



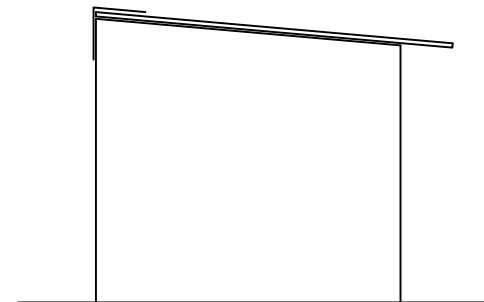
PUMP ROOM HUT



FRONT ELEVATION



SECTION X-X



SIDE ELEVATION

GROUND WATER PUMP ROOM HUT DETAILS





3 : دسره لاجوري صوبه "خاسراو" سويو لاجوري

Working Site

The site should be kept clean during the construction work period and should be thoroughly cleaned once the works are completed. Works should be carried out on site in a safe manner to all the workers on site and the people living in the vicinity of site. Disturbance to the neighborhood should be kept to a minimum. Electricity and water supply to the site, during construction period, should be provided by the contractor

Concrete

Cement conforming to BS12 standards should be used for all concrete, masonry and plastering works. The cement intended for use should be fresh and should not have any traces of hardened cement in the bag.

1. All concrete works should be done using one brand of cement
2. Sand and aggregate used for concrete works should be well graded.
3. Concrete should be mixed in the ratio 1:2:3 which are 1 part cement, 2 parts sand and 3 parts aggregate.
4. All foundations should be cast on a lean concrete layer. The lean concrete should be placed on well compacted ground.
5. Concrete should be mixed using a concrete mixer. Concrete should not be mixed by hand. When pouring concrete into the formwork, the mix should be compacted using a mechanical vibrator.
6. Aggregate used for concrete works should not be larger than 20mm.
7. Sand and aggregate used for concrete works should be clear from dust, mud and other debris.
8. All reinforcement bars used for the concrete works should be free from rust and grease that could weaken the bonding between the reinforcement bar and the concrete. Care should be taken to use continuous bars rather than short segments joined by laps.

Masonry Works

1. All masonry work should be done using Cement confirming to BS12 standards.
2. Masonry blocks should be made from imported sand or local white sand sourced from a permitted sand borrow area. The sand should be free from organic matter and other debris.
3. Masonry blocks should be made from mortar mixed at 1:5 ratio with 1 part cement to 5 part sand.
4. Average size of sand particles should not exceed 5mm.

Plastering Works

1. All plastering work should be done using Cement confirming to BS12 standards.
2. Plaster mix should be made from imported or local sand white sand sourced from a permitted borrow area. The sand should be free from organic matter and other debris.
3. Plaster mix should be made by mixing Cement and Sand at a ratio of 1:3 with 1 part Cement to 3 part Sand.
4. Average size of sand particles should not exceed 5mm.

Structural Steel work

1. All steel pipes obtained for the work should be new pipes and free from rust.
2. Thickness of pipes should not be less than 2.5mm

Electrical works

1. All materials used for electrical wiring should comply with MEA standards.

Roofing works

1. All materials used for roofing work should be newly purchased for the project.
2. All screws or bolts used for roof fixing should be G.I or Zinc finish screws.

تصویر 4 : دسیر نامہ نامی سہولتیں درستی اور درستگی

