

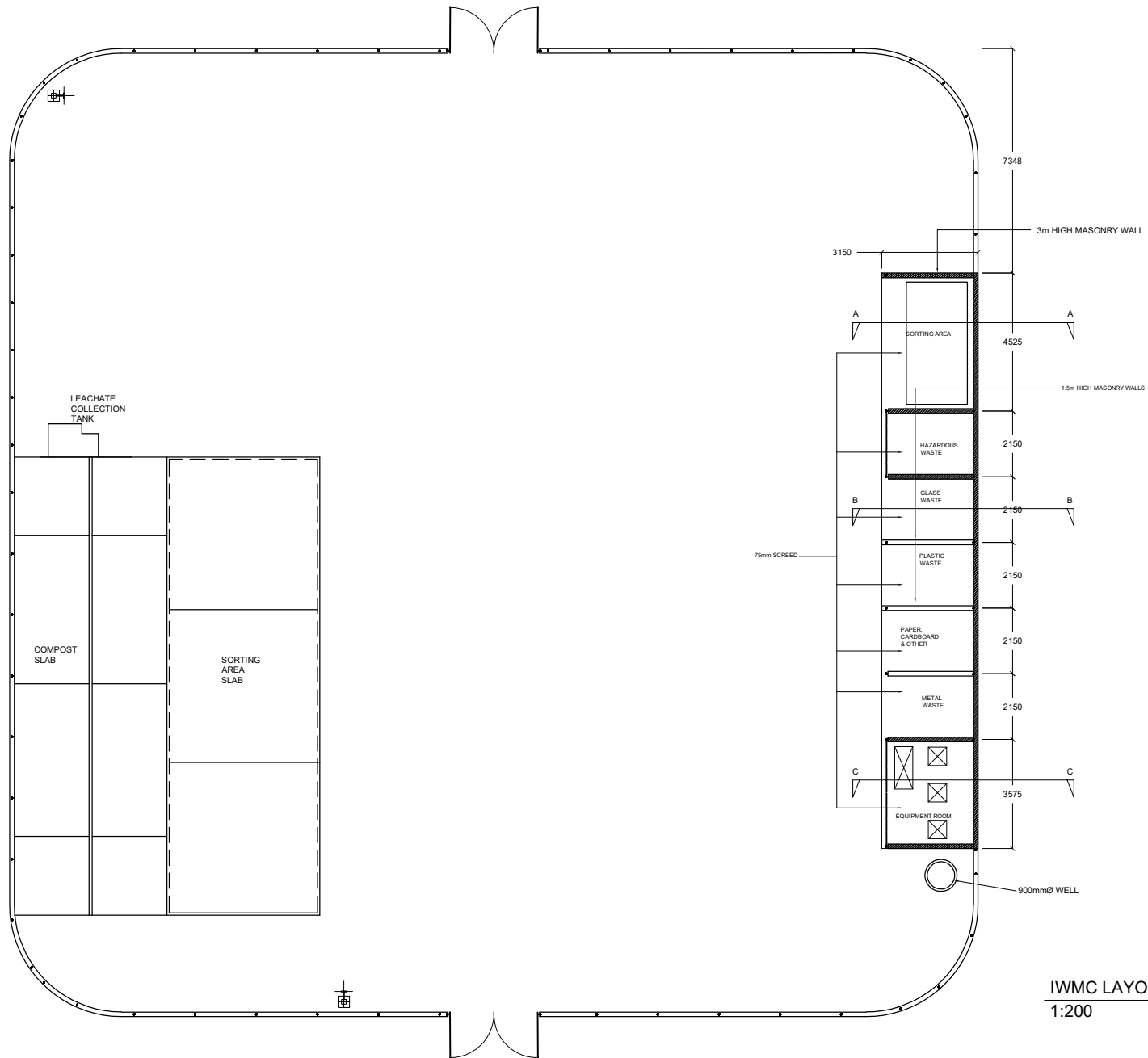
PROVISION OF WATER SUPPLY SANITATION AND SOLID WASTE MANAGEMENT PROJECT

HA. HOARAFUSHI ISLAND WASTE MANAGEMENT CENTER

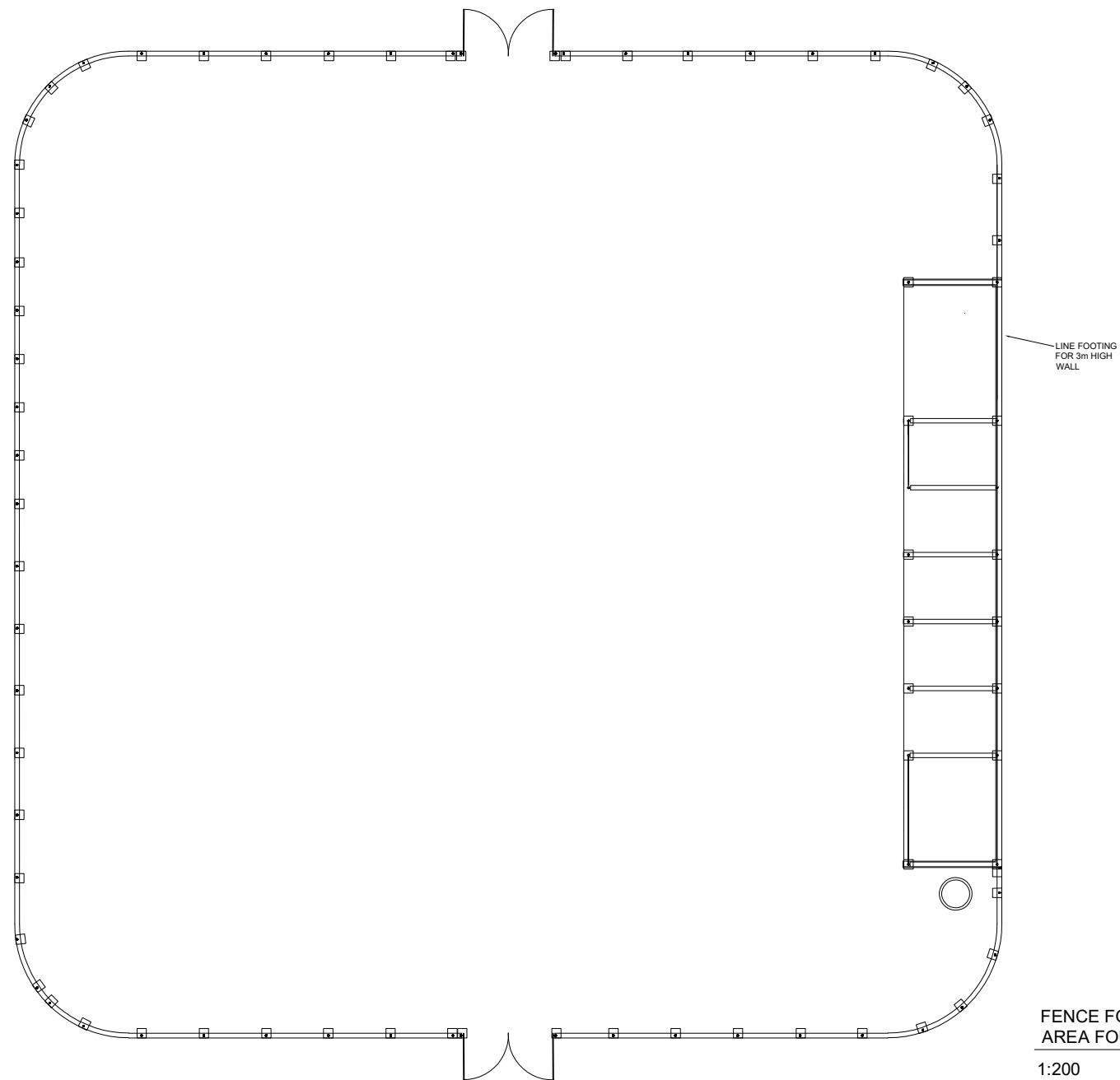


SOLID WASTE MANAGEMENT COMPONENT
OFID PROJECT
MINISTRY OF ENVIRONMENT AND ENERGY

HANDHUVAREE HINGUN MALE' 20-01
REPUBLIC OF MALDIVES



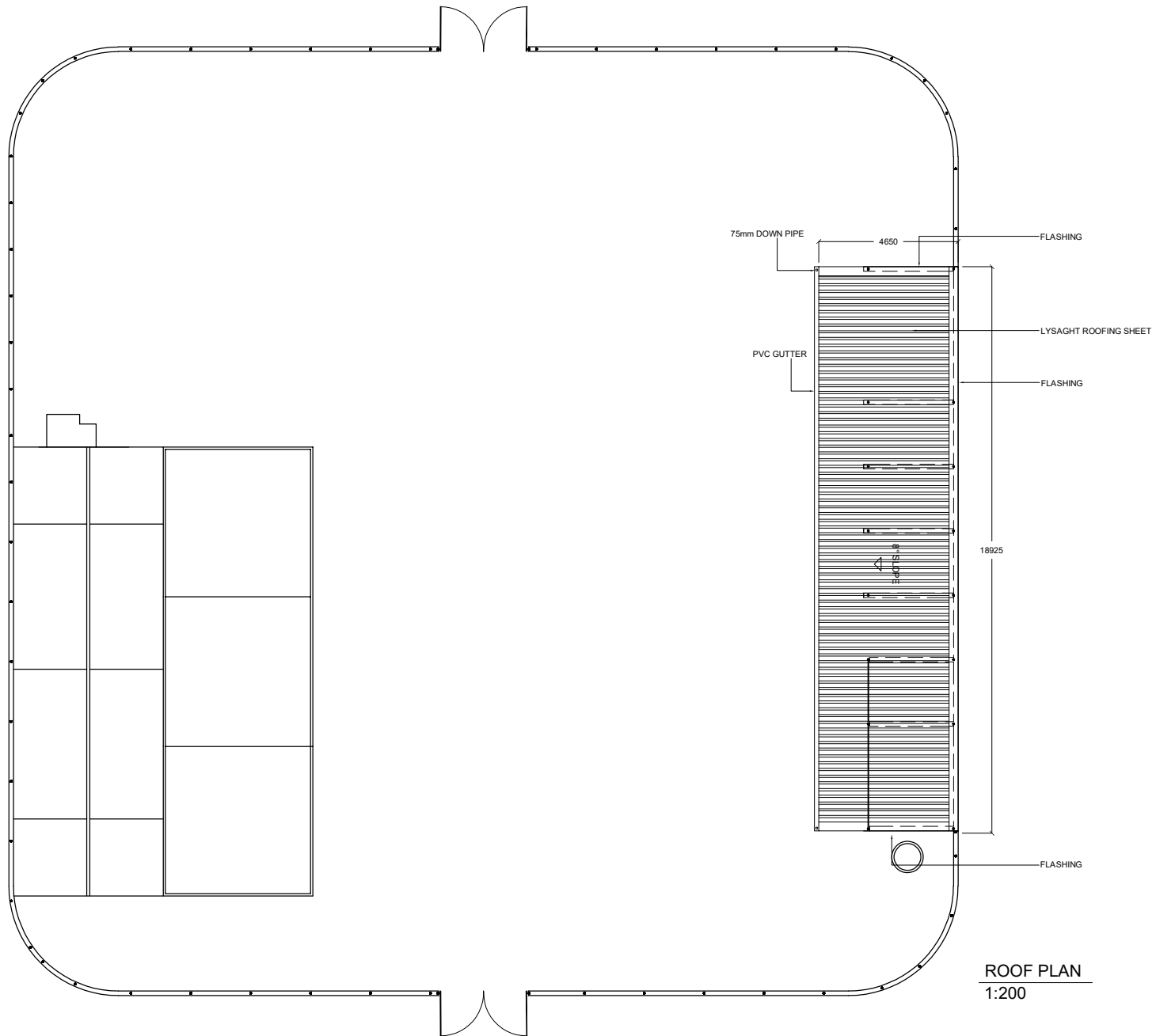
IWMC LAYOUT
1:200

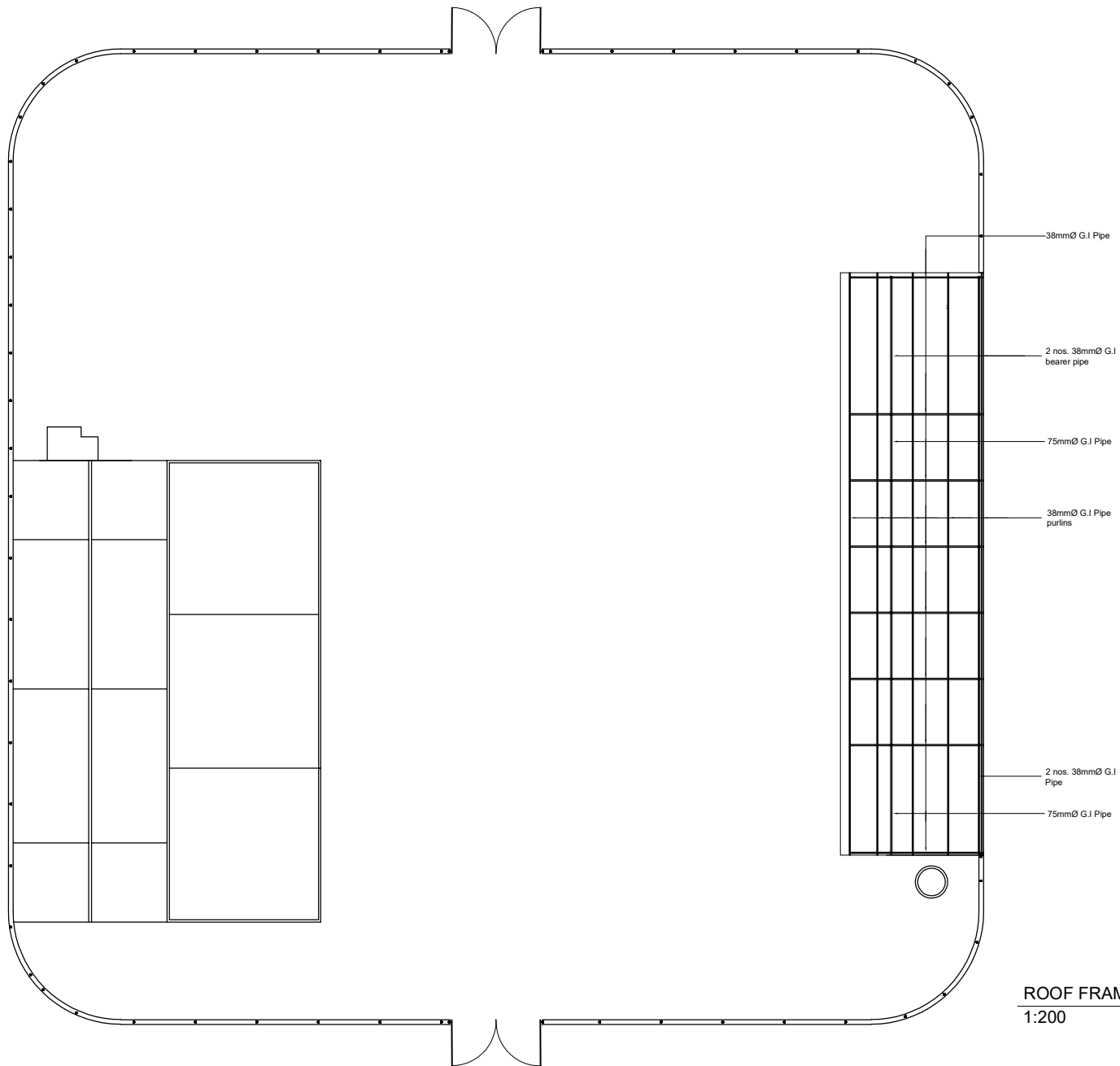


LINE FOOTING
FOR 3m HIGH
WALL

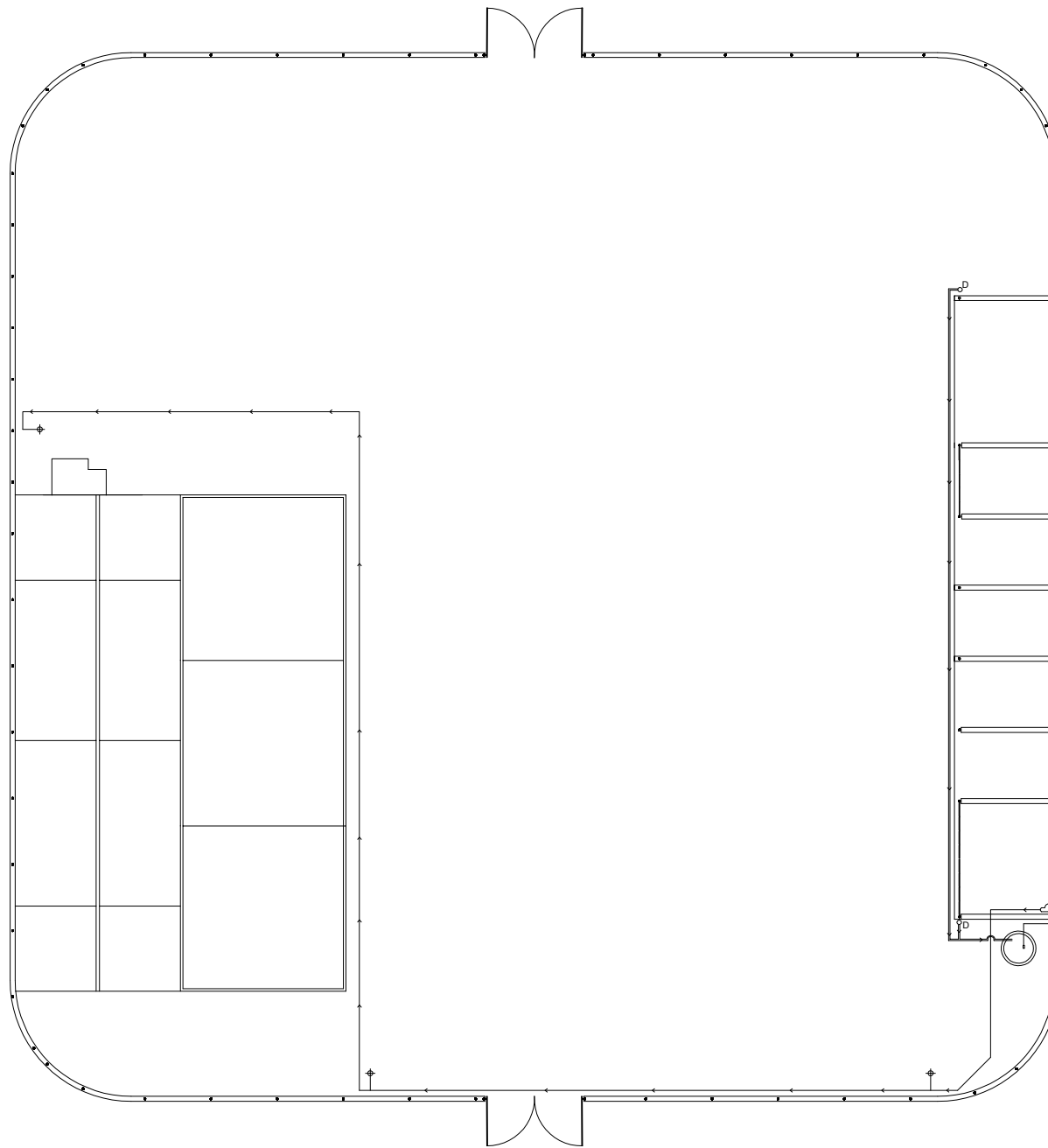
FENCE FOUNDATION AND COLLECTION
AREA FOUNDATION

1:200





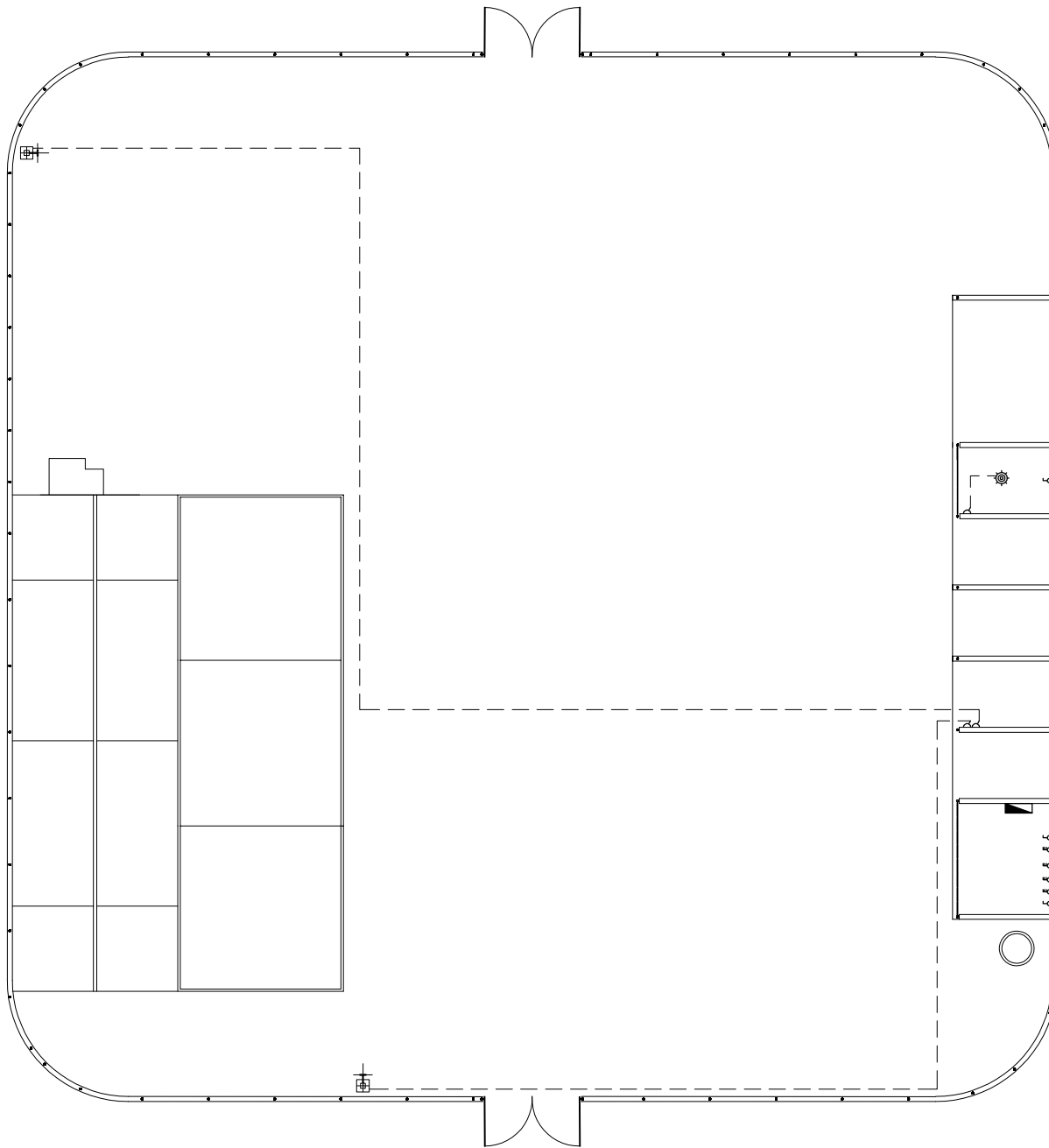
ROOF FRAMING LAYOUT
1:200









- 75mm Conveyance pipe
- o D Down pipe
- Foot valve
- ☁ Shallow well pump (230 V, 550 W)
- ⊕ Metal tap

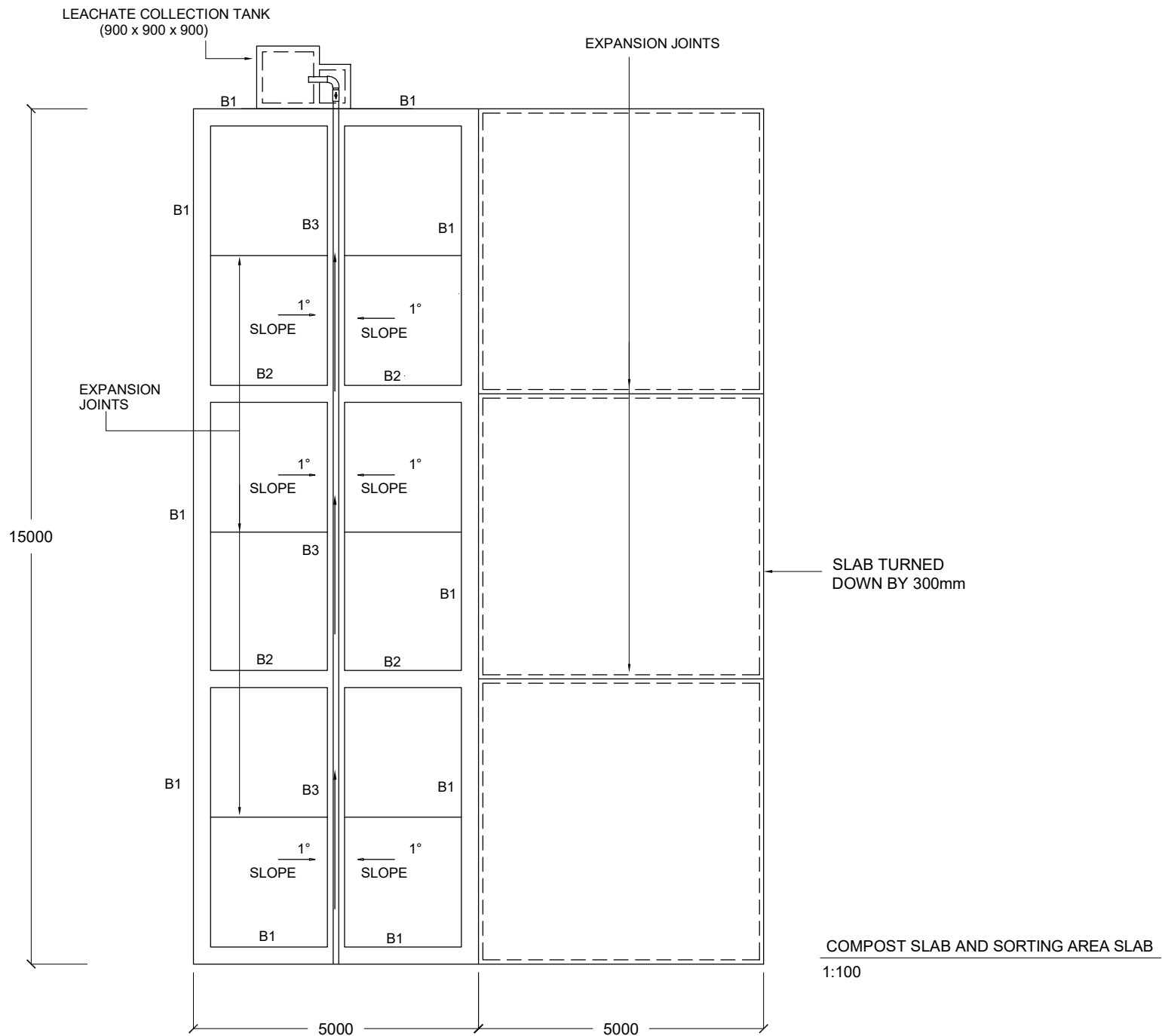
PLUMBING LAYOUT

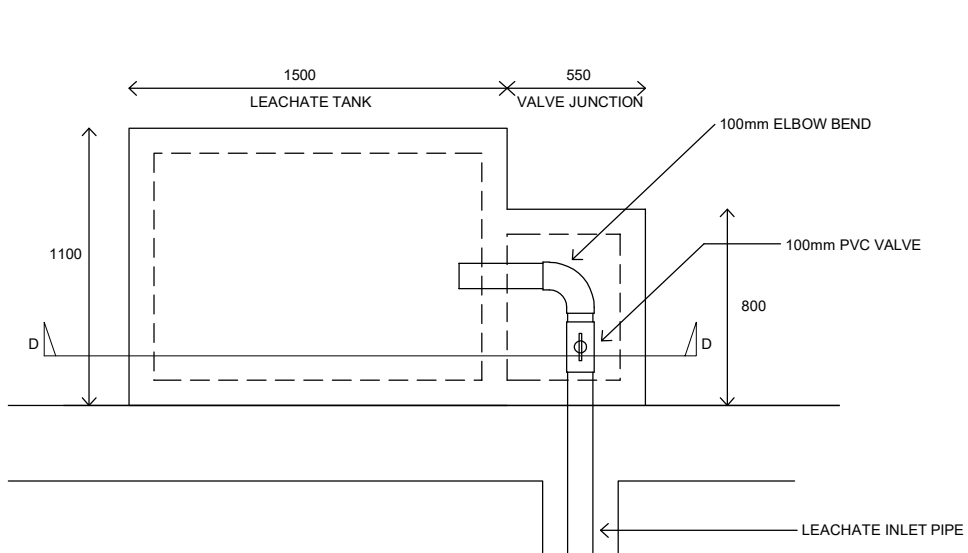
1:200



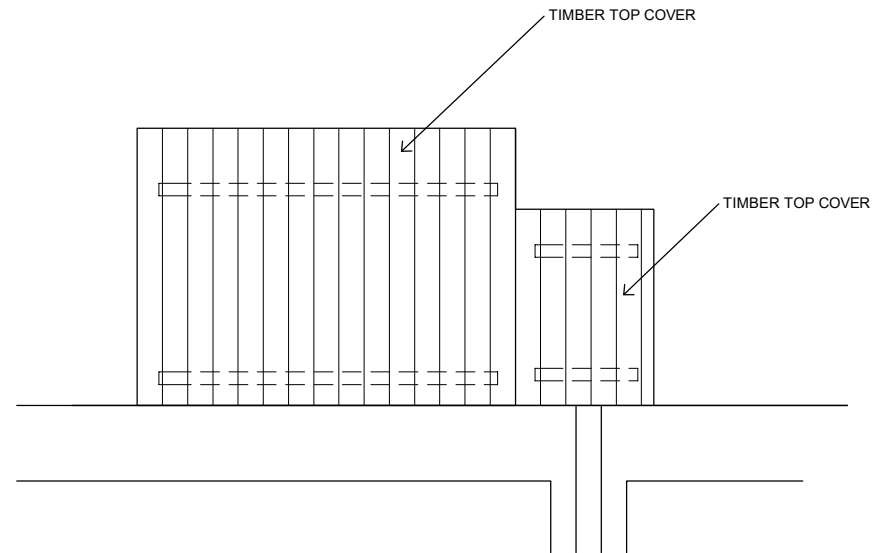
- DISTRIBUTION BOARD 
- 100W ENERGY SAVING LIGHT 
- 3 PHASE POWER POINTS
[1.5m ABOVE GROUND] 
- 1 PHASE POWER POINTS
[1.5m ABOVE GROUND] 
- WEATHER PROOF SWITCH 
- EXHAUST FAN
(14" blade diameter,
230 V, 250 W) 

ELECTRICAL LAYOUT
1:200

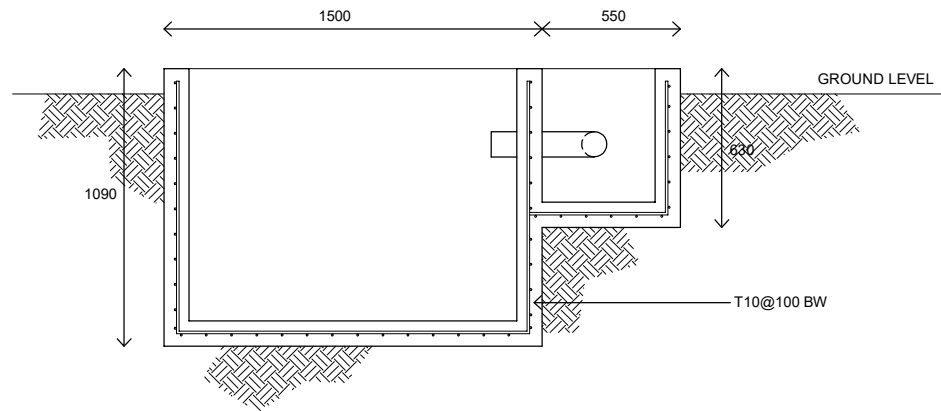




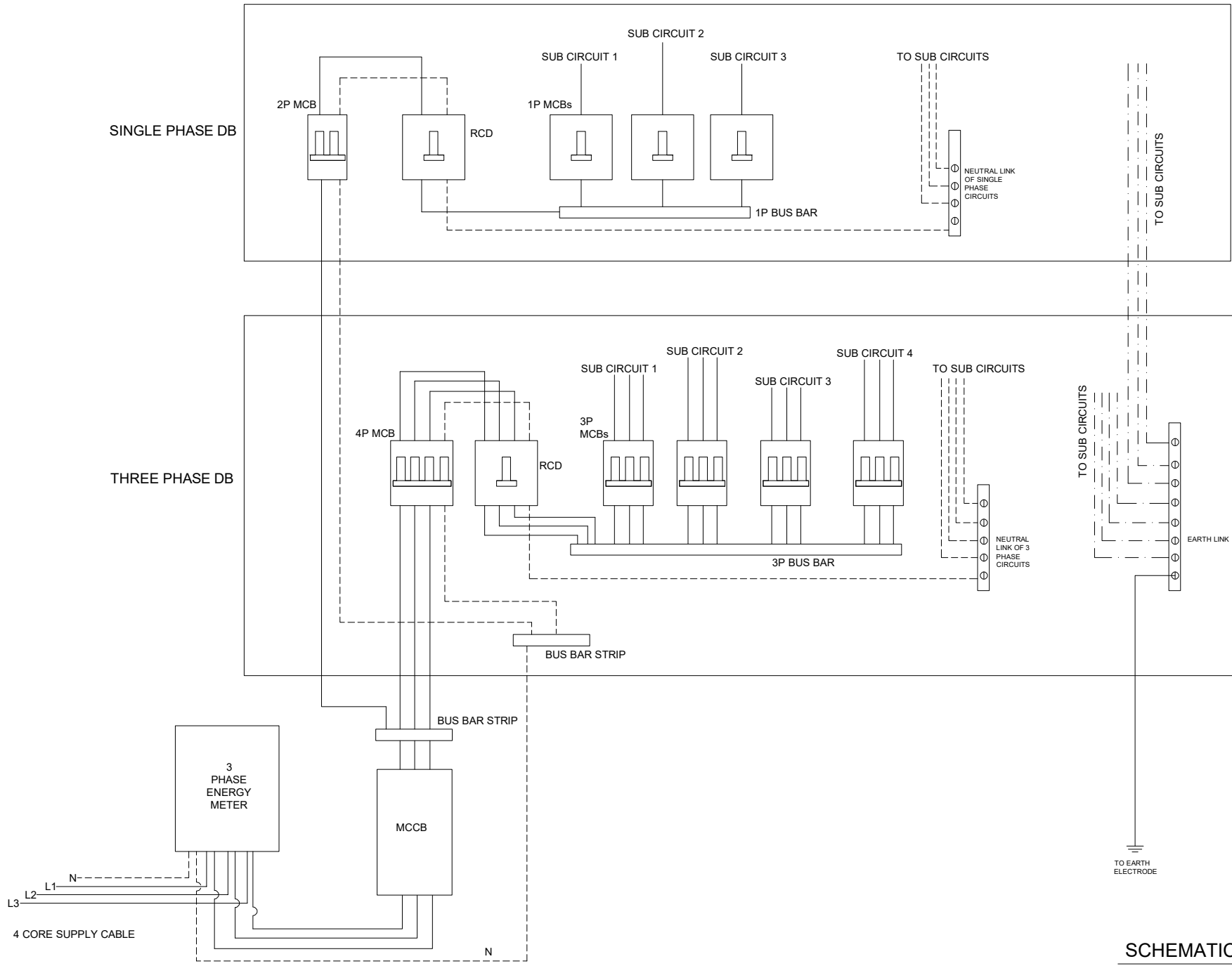
LEACHATE TANK DETAIL
1:30



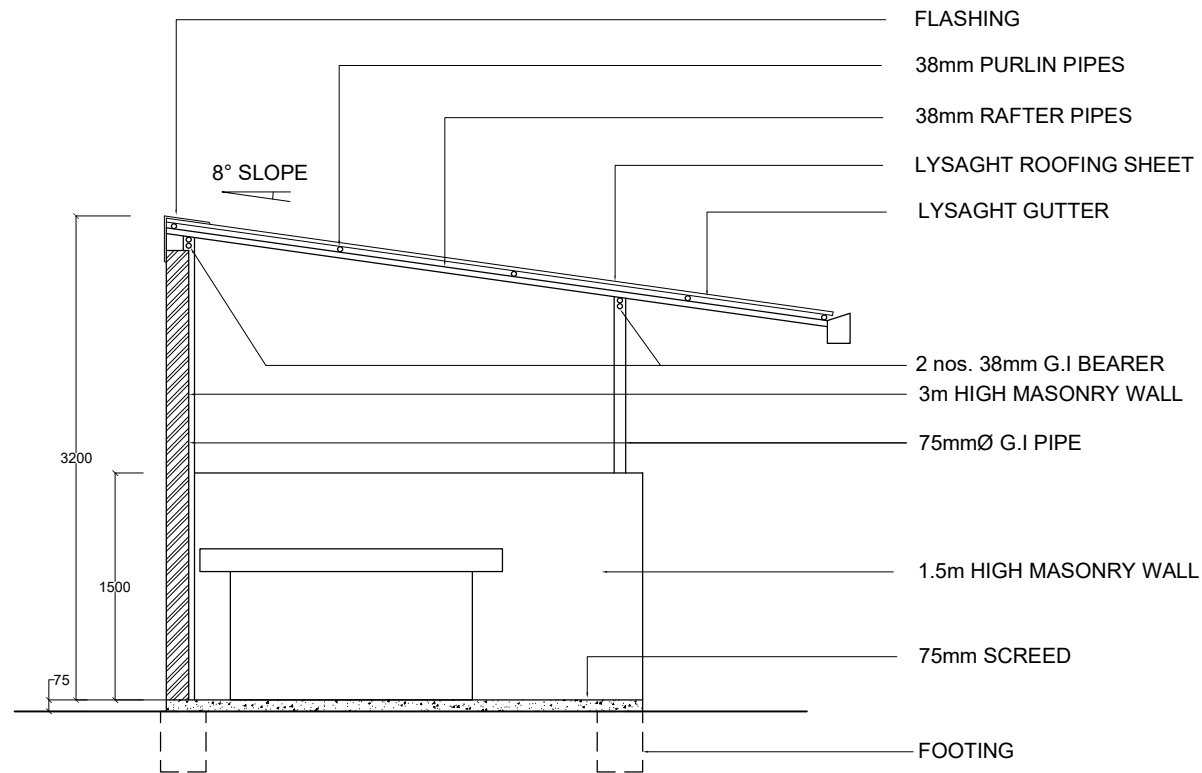
LEACHATE TANK COVER
1:30



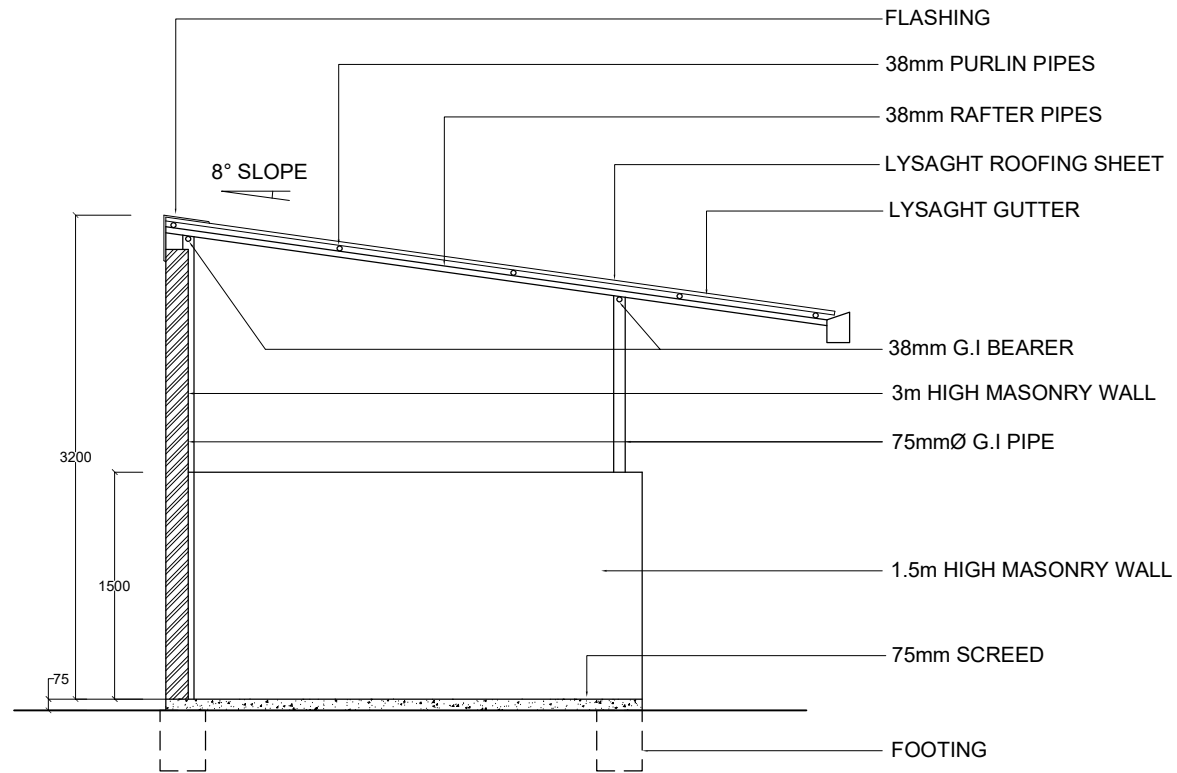
SECTION D
1:30



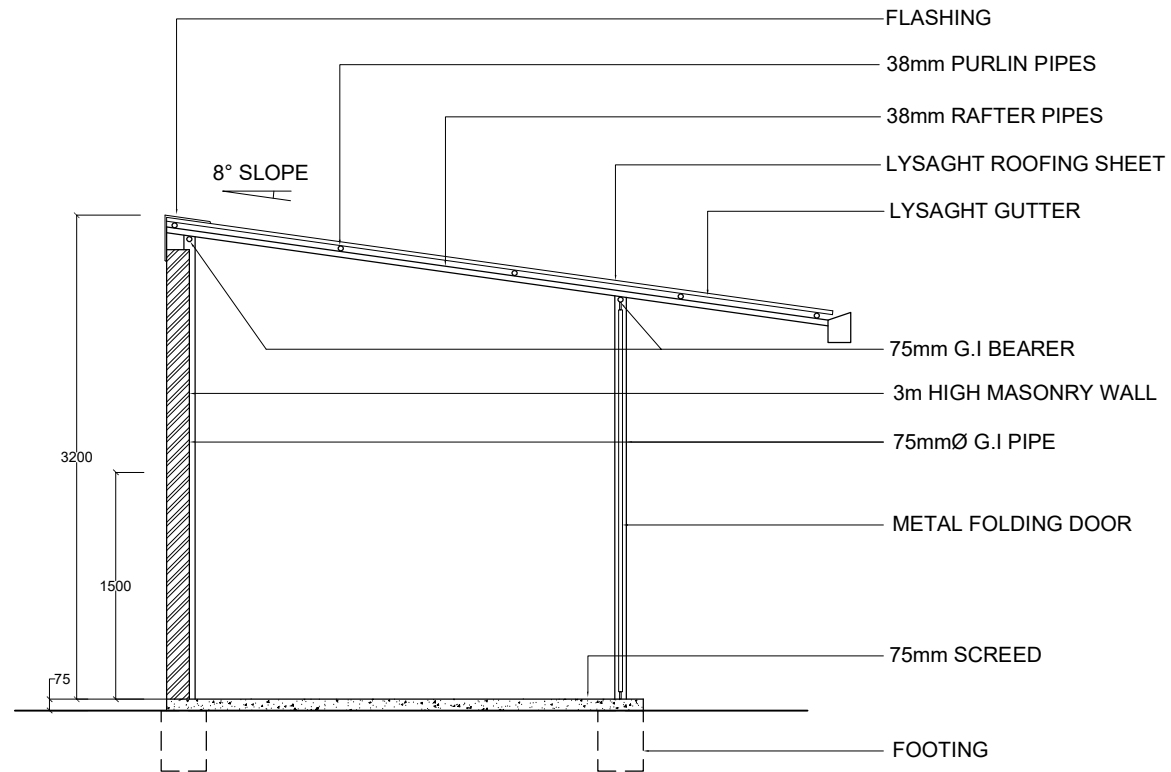
SCHEMATIC WIRING DIAGRAM



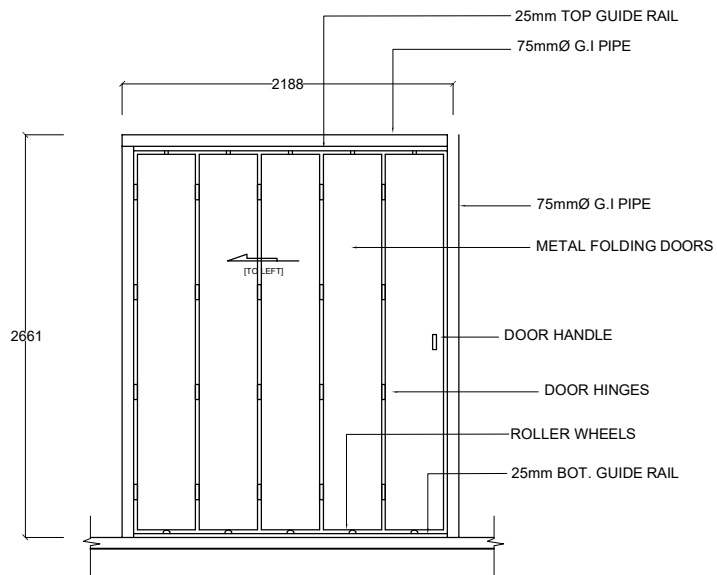
SECTION A
1:50



SECTION B
1:50

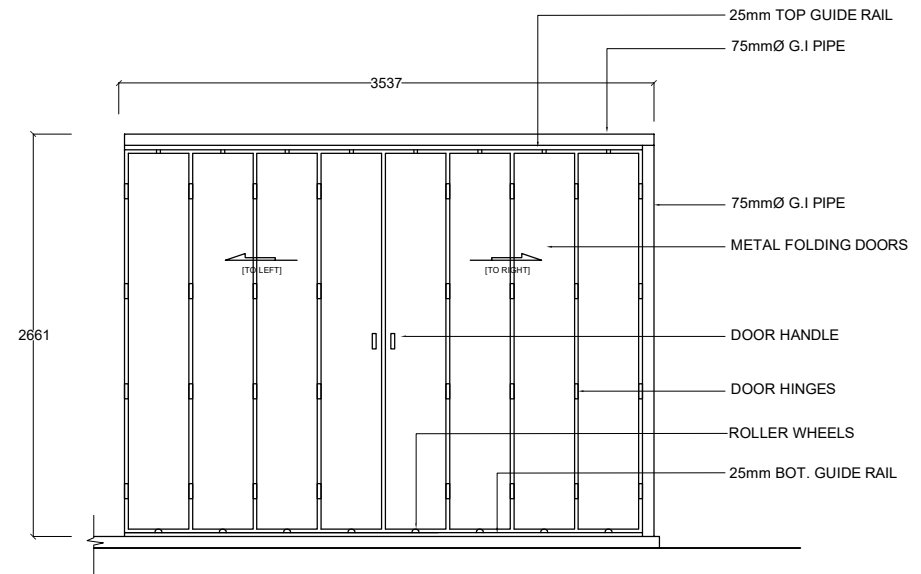


SECTION C
1:50



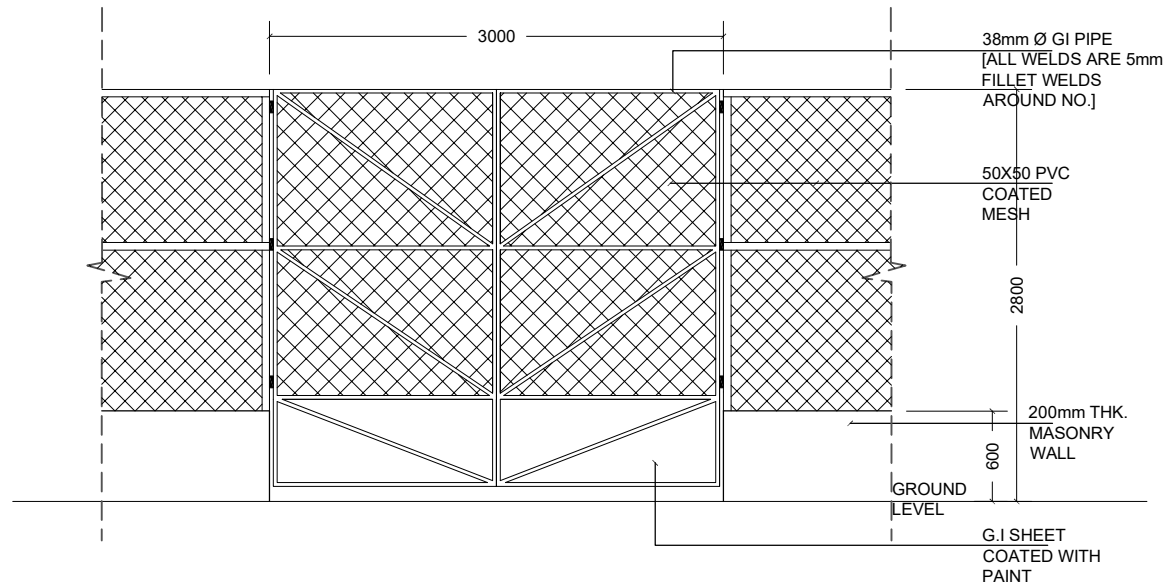
HAZARDOUS WASTE AREA
FOLDING DOOR DETAIL

1:50

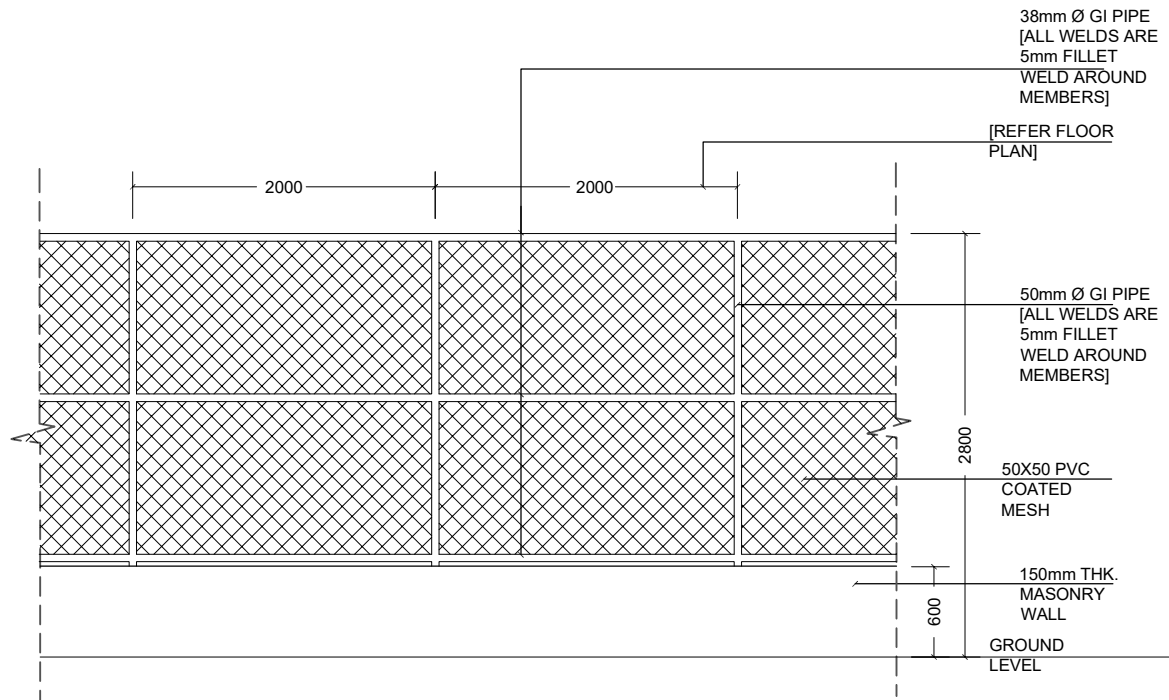


EQUIPMENT ROOM
FOLDING DOOR DETAIL

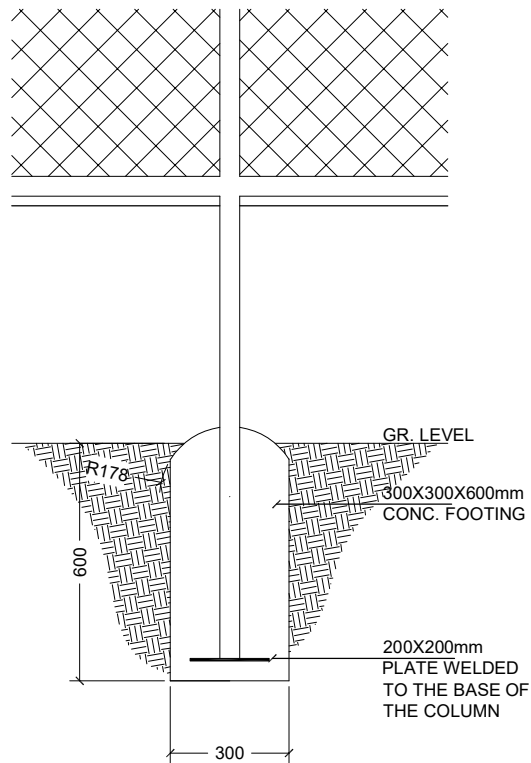
1:50



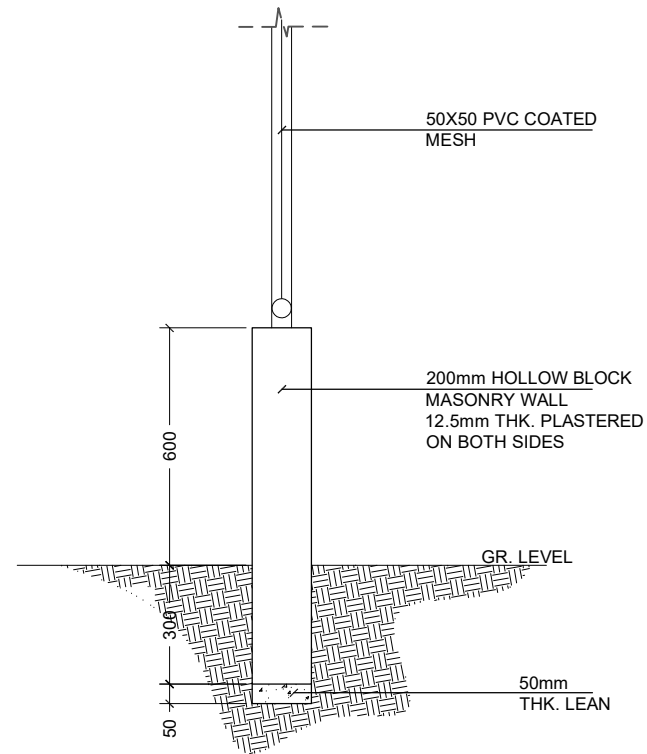
ENTRANCE / EXIT GATE
1:50



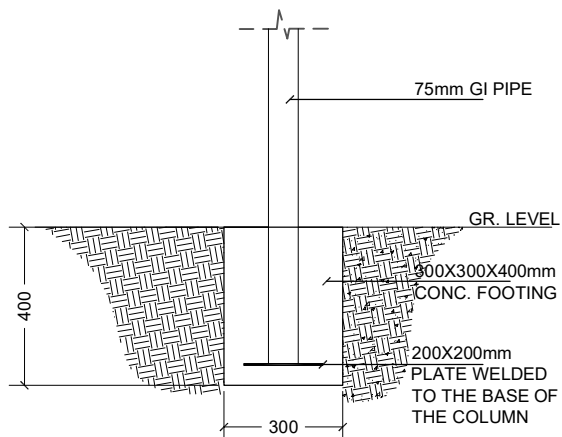
PERIMETER FENCE
1:50



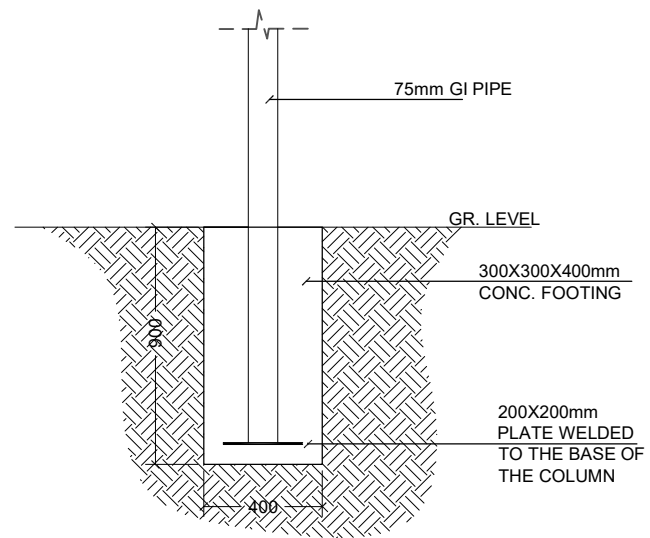
FENCE FOUNDATION DETAIL



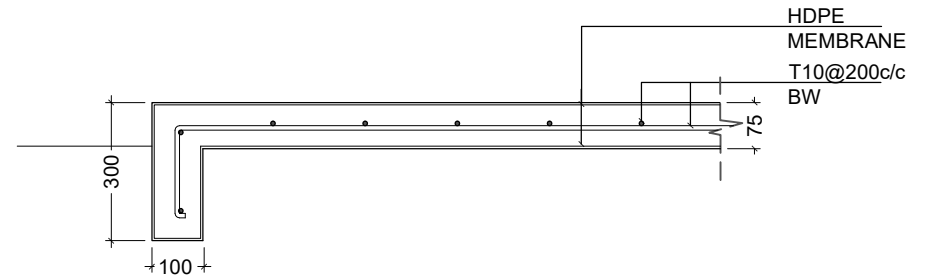
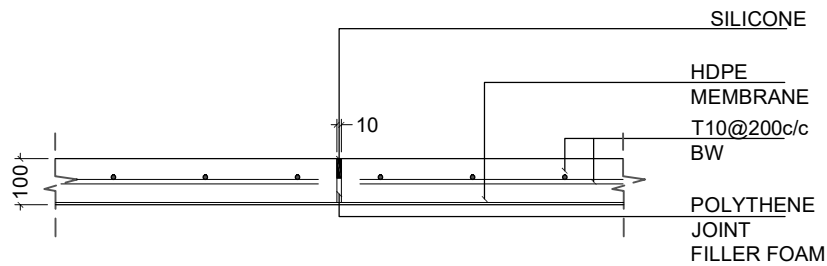
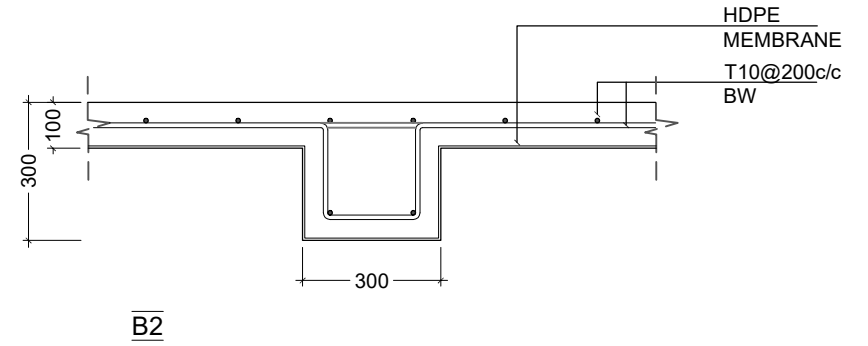
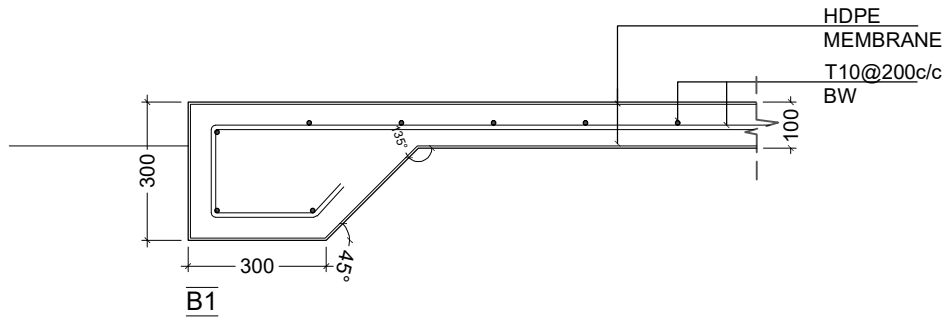
PERIMETER WALL
FOUNDATION DETAIL

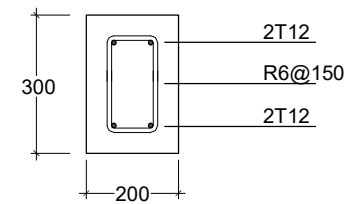
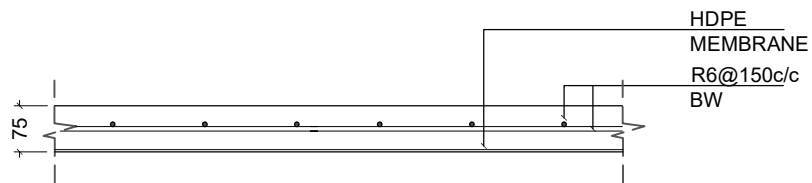
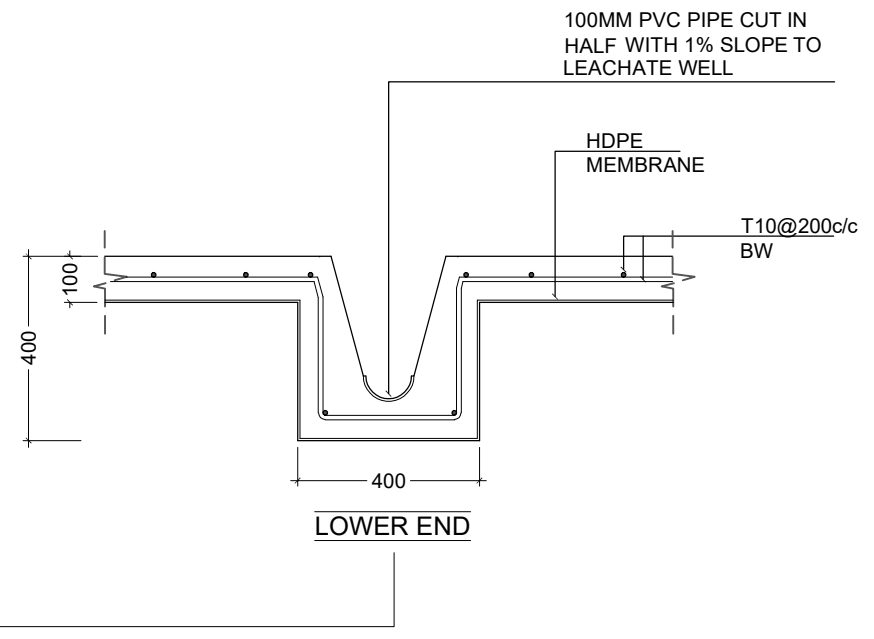
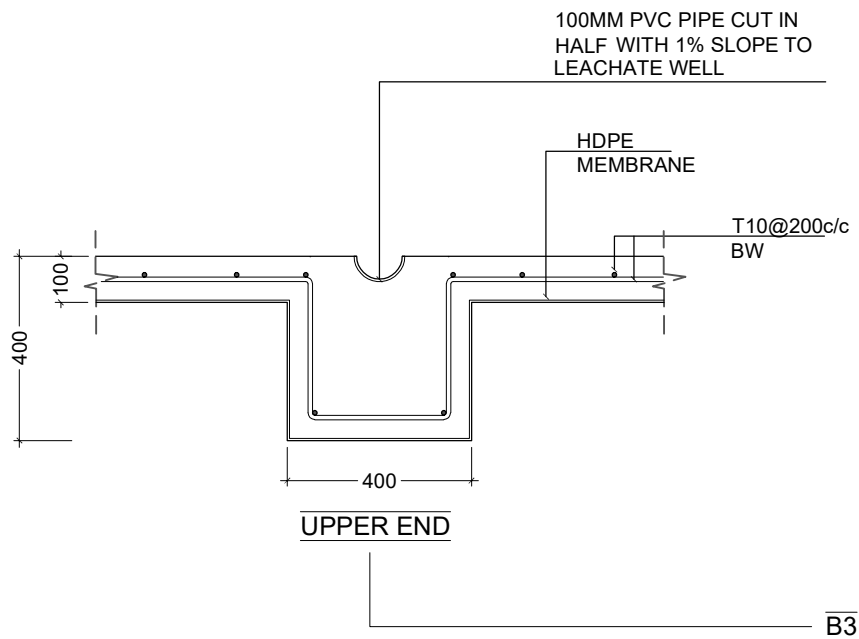


WASTE SORTING AREA
COLUMN FOUNDATION DETAIL

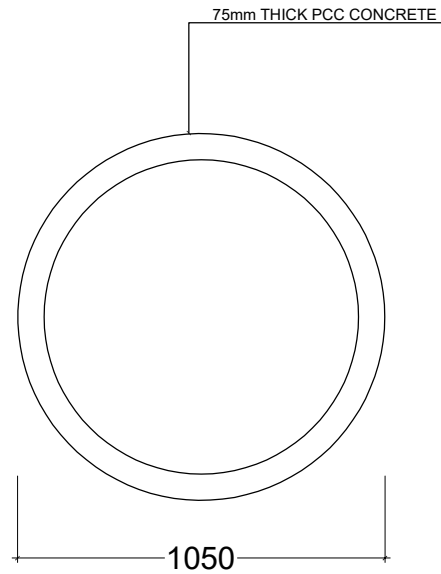


LIGHT POST FOUNDATION

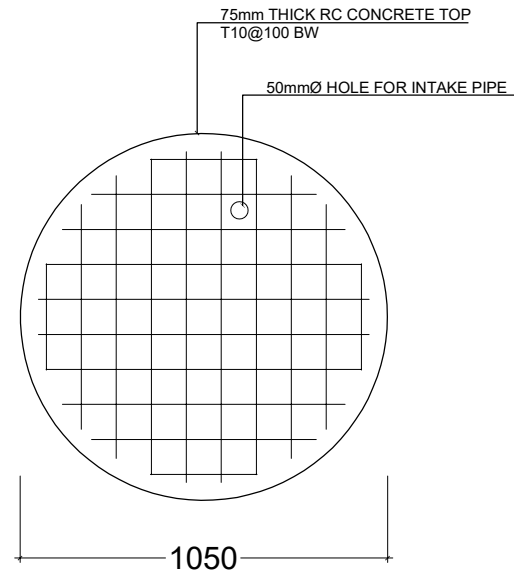




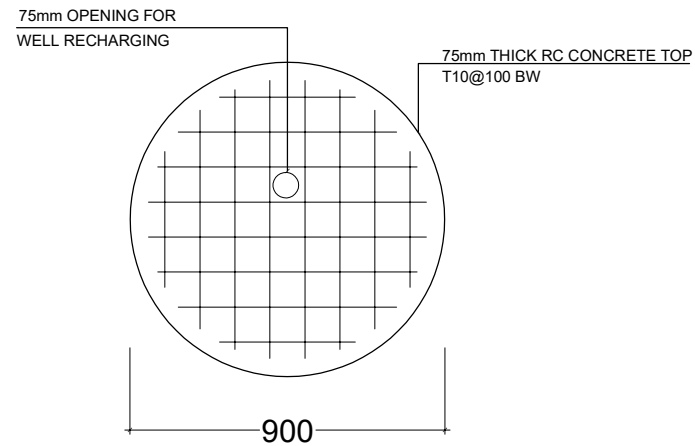
B3



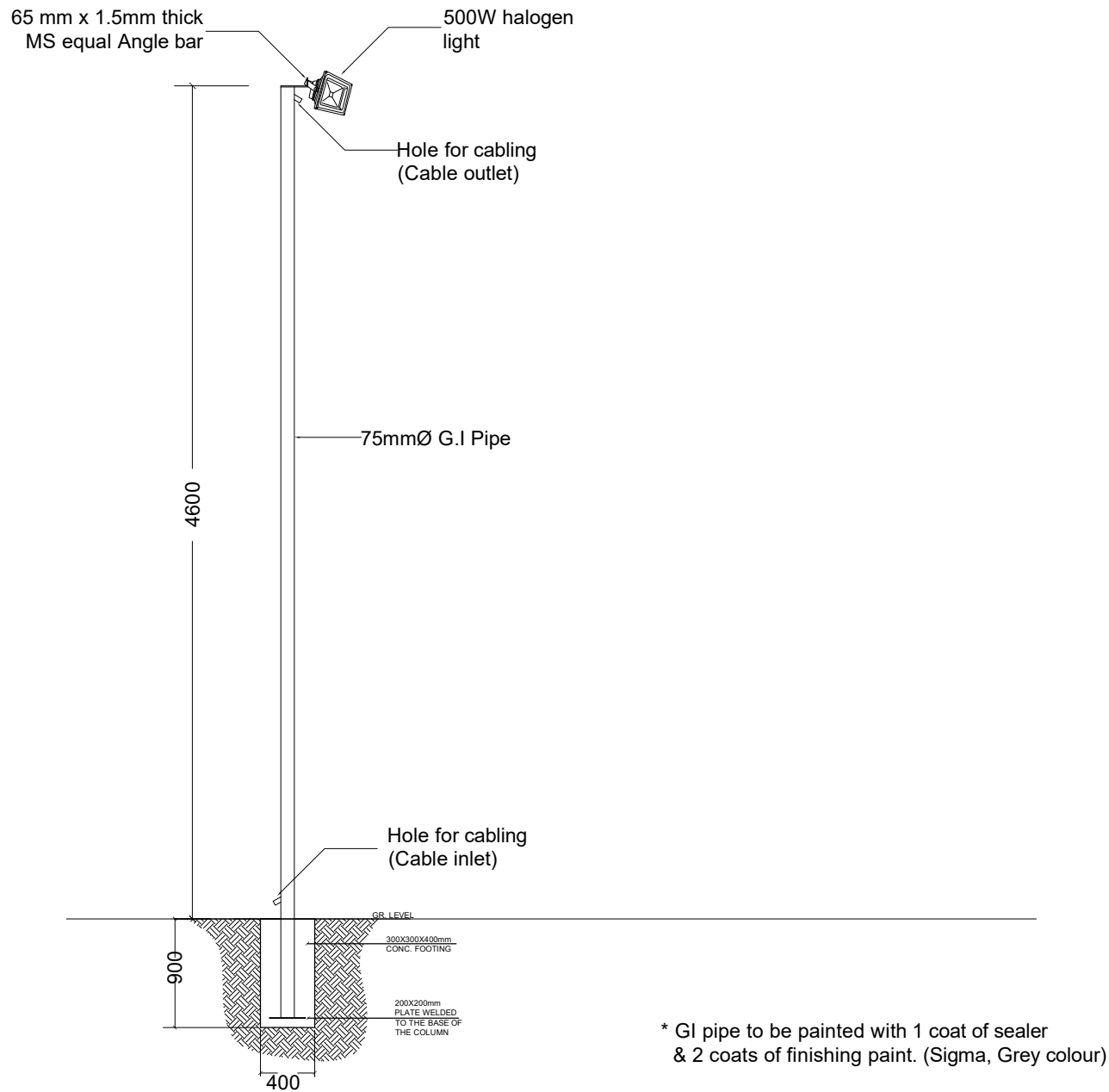
GROUND WATER WELL



GROUND WATER WELL - TOP



GROUND WATER WELL - BASE



LIGHT POST DETAIL

