

سوال 1: تاسیسات بهداشتی و رفاهی

| | |
|--|--|
| | <p>سوال: (تاسیسات بهداشتی و رفاهی) در مورد ... این تاسیسات ... (تاسیسات)</p> |
| | <p>این تاسیسات ...</p> |

1. این تاسیسات ...

2. تاسیسات ...

3. سوال: (تاسیسات بهداشتی و رفاهی) در مورد ...

- تاسیسات بهداشتی
- تاسیسات رفاهی
- تاسیسات ...
- تاسیسات ...
- تاسیسات ...

(این تاسیسات ...)

قۇرۇق 2: دىئامېتىرلارنىڭ مۇناسىۋىتى

دىئامېتىرلارنىڭ ئۆزئارا مۇناسىۋىتىنى تەكشۈرۈڭ.

| سېلىنىش نۇمۇرى | ئۆلچەم نۇمۇرى | رەقەم | | | | | | | | | | ئۆلچەم (مىللىمېتىر) | دىئامېتىرلارنىڭ مۇناسىۋىتى |
|----------------|---------------|-------|---|---|---|---|---|---|---|---|---|---------------------|----------------------------|
| | | 10 | 9 | 8 | 7 | 6 | 5 | 4 | 3 | 2 | 1 | | |
| | | | | | | | | | | | | | سېلىنىش نۇمۇرى |
| | | | | | | | | | | | | | ئۆلچەم نۇمۇرى |
| | | | | | | | | | | | | | سېلىنىش نۇمۇرى |
| | | | | | | | | | | | | | ئۆلچەم نۇمۇرى |
| | | | | | | | | | | | | | سېلىنىش نۇمۇرى |
| | | | | | | | | | | | | | ئۆلچەم نۇمۇرى |
| | | | | | | | | | | | | | سېلىنىش نۇمۇرى |
| | | | | | | | | | | | | | ئۆلچەم نۇمۇرى |
| | | | | | | | | | | | | | سېلىنىش نۇمۇرى |
| | | | | | | | | | | | | | ئۆلچەم نۇمۇرى |

| | | | | | | | | | | | | | |
|--|--|--|--|--|--|--|--|--|--|--|--|--|---------------------------|
| | | | | | | | | | | | | | موقوفات بر مبنای آیین |
| | | | | | | | | | | | | | نوع خود، تفاوت خود و سایر |
| | | | | | | | | | | | | | سازمان و سایر |
| | | | | | | | | | | | | | تفاوت بر مبنای سایر |
| | | | | | | | | | | | | | تفاوت خود، تفاوت سایر |

توضیح: تفاوت خود، تفاوت بر مبنای سایر تفاوت خود، تفاوت سایر تفاوت خود.

3: دسہائی رتی - وسیع سائبر

BILL OF QUANTITIES FOR CONSTRUCTION OF A WASTE BURNER IN GA. KOLAMAAFUSHI

| No | Item | Unit | Quantity | Rate | Amount |
|----------|---|------|----------|------|--------|
| 1 | Preliminaries | | | | |
| 1.1 | Mobilization to site | LS | 1 | | |
| 1.2 | Allow for all site clean-up work including relocation of existing waste to a temporary location identified by island council | LS | 1 | | |
| 2 | Earth Works | | | | |
| 2.1 | Ground levelling works for ground slabs | m2 | 1.94 | | |
| 3 | Concrete Slab Works | | | | |
| 3.1 | Concrete ground slab works for burner | m3 | 1.94 | | |
| 3.2 | Concrete ground slab works fan stand | m3 | 0.05 | | |
| 4 | Steel works. Rate shall include all associated cutting, bending and welding works. | | | | |
| | Main Body of Burner | | | | |
| 4.1 | 10mm Base plate (200mm wide) and bolting base plate to ground slab using 10mm bolts | m2 | 2.24 | | |
| 4.2 | 6mm MS sheet for main chamber | m2 | 35.84 | | |
| 4.3 | 6mm MS sheet for frustum | m2 | 9.11 | | |
| 4.4 | 6mm MS sheet for stack | m2 | 14.13 | | |
| 4.5 | Construction of a metal cap for the top of the burner as shown in the drawing. Rates shall include all necessary welding, frames and seals. | LS | 1 | | |
| | Main Body Frames | | | | |
| 4.6 | Welding of 50mm dia ring pipe for frustum frame with intermediate support members of 50mm dia as shown in the drawing. | m | 23.98 | | |
| 4.7 | Welding of 50mm dia ring pipe for main chamber frame as shown in the drawing. | m | 38.40 | | |
| 4.8 | Welding of 50mm dia ring pipe for support frame of fire bricks at top of the main chamber as shown in the drawing. | m | 24.14 | | |
| 4.9 | 16mm non deformed bars welded to the top of the support frame of fire bricks at the top of the main chamber as shown in the drawing. | m2 | 9.51 | | |
| | Doors and Openings | | | | |
| 4.10 | Fixing charging / discharging door of dimensions 1000 x 1000mm at a height of 800mm from bottom of burner. Rate shall include 50mm diameter frame pipe around opening and high temperature air-tight seal | Nos | 1 | | |
| 4.11 | Construction of metal sliding hatch doors that slide up and down. Each door should be 700 x 150 mm at a height 300mm from the bottom of the burner. Rates shall include all necessary frames and seals | Nos | 4 | | |
| | Combustion Net and Frames | | | | |
| 4.12 | 50 x 50 x 6 Equal Angle for combustion net frame as specified in the drawing. | m | 24.32 | | |

| | | | | | |
|----------------------------------|--|-----|------|--|--|
| 4.13 | 16mm non deformed bars at 100mm c/c BW for combustion net as specified in the drawing. | m2 | 7.06 | | |
| Ash Collection | | | | | |
| 4.14 | Construction of pull out trays for collecting ash from 3mm MS Sheet with dimensions 1700 x 1190 x 200mm with handles made out of 10mm dia ring pipe and four wheels along each side of the length of the tray as specified. Rates shall include all necessary welding, frames and seals | Nos | 2 | | |
| 4.15 | Construction of pull out trays for collecting ash from 3mm MS Sheet with dimensions 1145 x 1190 x 200mm with handles made out of 10mm dia ring pipe and three wheels along each side of the length of the tray as specified. Rates shall include all necessary welding, frames and seals | Nos | 2 | | |
| 4.16 | Construction of slopes using 3mm MS Sheet for the four corners of the ash collection trays as specified in the drawing. Rates shall include all necessary welding, frames and seals | LS | 1 | | |
| Axial Fan Ducts and Cover | | | | | |
| 4.17 | Fabricate and install 300mm diameter ducts from fan to main chamber and stack using 3mm MS Sheet and 25mm Dia G.I Pipe Welded at the 4 quadrants of the Duct as specified in the drawings. Rates shall include all G.I Clips, G.I pipes, welding, frames and seals. | LS | 1 | | |
| 4.18 | Provide cover for axial fan using 3mm MS Sheet and 25mm dia G.I. pipes as specified. Rates shall include all welding, frames and seals. | LS | 1 | | |
| 5 | Construction of fire wall using fire bricks that can withstand heat of at least 400 Degree Celsius around the main chamber and at the top of the main chamber as indicated in the drawing | LS | 1 | | |
| 6 | Applying refractory lining on top of ground slab | LS | 1 | | |
| 7 | Marine Grade High temperature paint on all steel members including ring pipes for support frames (Paint that can withstand heat of at least 400 Degree Celsius) | LS | 1 | | |
| 8 | Electrical Works and Accessories | | | | |
| 8.1 | Supply and install 550w, 3000 rpm, 300mm diameter axial flow fan for blowing air into the main chamber and stack. Rate shall include connection to circuit breaker using 10sqmm power supply cable and all necessary accessories | LS | 1 | | |
| 9 | Demobilization Works | | | | |
| 9.1 | Clean up site upon completion of works | LS | 1 | | |
| 9.2 | Demobilization | LS | 1 | | |

Sub total

GST 6%

Grand total

4: دسوارنامہ نمدونہ نمرانہ رڈی برٹوسہ - وسوج فاسرٹس

BILL OF QUANTITIES FOR BURNER CONSTRUCTION IN GA. KOLAMAAFUSHI

| No | Item | Amount |
|----|--|--------|
| 1 | Preliminaries | |
| 2 | Earth Works | |
| 3 | Concrete Slab Works | |
| 4 | Steel works | |
| 5 | Construction of fire wall | |
| 6 | Applying refractory lining on top of ground slab | |
| 7 | Marine Grade High temperature paint on all steel members | |
| 8 | Electrical Works and Accessories | |
| 9 | Demobilization Works | |

Sub total

GST 6%

Grand total

අංක 5: කොළඹ නගර සභාවේ ප්‍රධාන කළමනාකරණ මධ්‍යස්ථානයේ - නව නිර්මාණය

නිර්මාණය කිරීමේ මිල පිටපත

UPGRADE OF WASTE MANAGEMENT CENTRE - GA. KOLAMAAFUSHI

Bill of Quantities

| No | Item | Unit | Quantity | Rate | Amount |
|----------|--|------|----------|------|--------|
| 1 | Preliminaries | | | | |
| 1.1 | Mobilization to site | LS | 1 | | |
| 1.2 | Site management cost including set up of temporary services for contractor's services as maybe necessary | LS | 1 | | |
| | | | | | |
| 2 | Site Clearance and Demolition/Removal | | | | |
| 2.1 | Allow for all site clean-up work including relocation of existing waste to a temporary location identified by island council | LS | 1 | | |
| | <i>Demolition</i> | | | | |
| 2.2 | Concrete column foundation 450x450mm of height 400mm | LS | 26 | | |
| | <i>Removal</i> | | | | |
| 2.3 | G.I Pipe fence of height 2000mm with 50mm Mesh as shown in the drawing | m | 78 | | |
| | | | | | |
| 3 | Earth works | | | | |
| | <i>Allow for all excavation work for foundations as follows</i> | | | | |
| 3.1 | Collection bay foundation | m3 | 3.99 | | |
| 3.2 | Perimeter wall | m3 | 8.20 | | |
| 3.3 | Flood light pole | m3 | 0.13 | | |
| 3.4 | Ground levelling works for ground slab works | m2 | 72.67 | | |
| 3.5 | Setting up a ground water well in the location shown | LS | 1 | | |
| | | | | | |
| 4 | Concrete works | | | | |
| | <i>Collection Bay Area</i> | | | | |
| 4.1 | Provide 100mm concrete floor screed for collection bay area according to the slope shown in drawing with a drain at the Sorting Area. Reinforcement for the slab shall be R6@150 BW single layer | m3 | 7.27 | | |
| 4.2 | Wall Footing of Collection Bay Area walls cast according to drawing. Reinforcement shall be as shown on drawing | m3 | 2.54 | | |
| 4.3 | Middle Beams of Collection Bay Area walls cast according to drawing. Reinforcement shall be as shown on drawing. | m3 | 0.76 | | |

| | | | | | |
|----------|--|-----|-------|--|--|
| 4.4 | Lintel for Collection Bay Area walls cast according to drawing. Reinforcement shall be as shown on drawing. | m3 | 0.76 | | |
| 4.5 | Columns for Collection Bay Area walls cast according to drawing. Reinforcement shall be as shown on drawing. | m3 | 1.12 | | |
| | <i>Perimeter Wall</i> | | | | |
| 4.6 | Perimeter wall column | m3 | 2.28 | | |
| 4.7 | Perimeter wall beam | m3 | 2.99 | | |
| 4.8 | <i>Other</i> | | | | |
| 4.90 | Foundation for flood light pole | m3 | 0.29 | | |
| 4.10 | Ground water well casting work | LS | 1 | | |
| | | | | | |
| 5 | Structural steel works | | | | |
| | <i>Collection Bay Area</i> | | | | |
| 5.1 | Provide 75mm G.I pipe as structural columns for collection bay area. Rate shall include all fixings at both ends of the pipe for necessary connections as shown on drawing | Nos | 5.00 | | |
| 5.2 | Provide truss as shown on the drawing. Rate shall include all cuttings, weldings, applying of protective coating for welded joints, and setting up the truss | m | 6.15 | | |
| | <i>Perimeter Wall</i> | | | | |
| 5.3 | Perimeter fence using 50mm G.I pipe as shown on drawing. Rate shall include all cuttings, weldings, applying of protective coating for welded joints, and, setting up the fence. | m | 78.10 | | |
| | <i>Other</i> | | | | |
| 5.4 | Perimeter fence using 50mm G.I pipe as shown on drawing. Rate shall include all cuttings, weldings, applying of protective coating for welded joints, and, setting up the fence. | m | 78.10 | | |
| 5.5 | Provide 75mm G.I pipe as flood light fixing poles. Rate shall include installation charges as shown on drawing. | Nos | 2 | | |
| | | | | | |
| 6 | Masonry works | | | | |
| | <i>Collection Bay Area walls of thickness 150mm</i> | | | | |
| 6.1 | 3500mm high walls for Collection Bay Walls | m3 | 17.17 | | |
| 6.2 | 1500mm high walls for Collection Bay section separation | m3 | 2.40 | | |
| | <i>Perimeter walls of thickness 150mm</i> | | | | |
| 6.3 | 1000mm high wall for perimeter wall | m3 | 9.96 | | |
| | <i>Other</i> | | | | |

| | | | | | |
|----------|---|----|--------|--|--|
| 6.4 | 2000mm high walls of thickness 150mm for Pump House (1700mm high wall above ground level with 300mm below ground level) | m3 | 1.76 | | |
| 7 | Plastering works | | | | |
| | <i>Collection Bay Area</i> | | | | |
| 7.1 | 25mm plastering on 3500mm high walls for Collection Bay Outer Walls | m2 | 271.56 | | |
| 7.2 | 25mm plastering on 1500mm high walls for Collection Bay section separation | m2 | 26.10 | | |
| | <i>Perimeter Wall</i> | | | | |
| 7.3 | 25mm plastering on 1000mm wall for perimeter wall | m2 | 168.82 | | |
| | <i>Other</i> | | | | |
| 7.4 | 2000mm high walls of thickness 150mm for Pump House (1700mm high wall above ground level with 300mm below ground level) | m2 | 12.58 | | |
| 8 | Painting works | | | | |
| | <i>Collection Bay Area Walls</i> | | | | |
| 8.1 | Apply emulsion paint coating on 3500mm high walls for Collection Bay Outer Walls | m2 | 271.56 | | |
| 8.2 | Apply emulsion paint coating on 1500mm high walls for Collection Bay section separation | m2 | 26.10 | | |
| | <i>Collection Bay Area Steel Members</i> | | | | |
| 8.3 | Apply emulsion paint coating on G.I columns of collection bay | LS | 1 | | |
| 8.4 | Apply emulsion paint coating on the roof trusses | LS | 1 | | |
| 8.5 | Apply paint coating on the metal sliding door of the Hazardous waste storage room | LS | 1 | | |
| 8.6 | Apply paint coating on the two metal folding doors of the equipment room | LS | 2 | | |
| | <i>Perimeter Wall</i> | | | | |
| 8.7 | Apply emulsion paint coating on 1000mm high wall for perimeter fence | m2 | 168.82 | | |
| | <i>Perimeter Wall Steel members</i> | | | | |
| 8.8 | Apply emulsion paint coating on G.I members of perimeter fence | LS | 1 | | |
| 8.9 | Apply emulsion paint coating on G.I members and MS Sheets of gates | LS | 1 | | |
| | <i>Other</i> | | | | |
| 8.10 | Apply paint coating on flood light pole | LS | 2 | | |
| 8.11 | Apply emulsion paint coating on the removable timber covers of the leachate collection tanks | LS | 2 | | |

| | | | | | |
|-----------|---|-----|-------|--|--|
| 8.12 | Apply emulsion paint coating on 2000mm high walls of thickness 150mm for Pump House (1700mm high wall above ground level with 300mm below ground level) | m2 | 12.58 | | |
| | <i>Existing Structure</i> | | | | |
| 8.13 | Apply emulsion paint coating on G.I columns of existing structure | LS | 1.00 | | |
| 8.14 | Apply emulsion paint coating on 2m high walls of the existing structure | m2 | 87.50 | | |
| | | | | | |
| 9 | Roofing works | | | | |
| | <i>Collection Bay Area</i> | | | | |
| 9.1 | Lysaght roofing sheet for collection bay area. Rate shall include all necessary laps, fastening, fixtures and sealing of joints | m2 | 81.12 | | |
| 9.2 | Roof flashing. Rate shall include fastening and sealing of joints | m | 25.50 | | |
| 9.3 | Timber beams - 150 x 75mm. Rate shall include for all fixing and joints. | m | 50.70 | | |
| 9.4 | Timber rafters - 100 x 50mm. Rate shall include for all fixing and joints | m | 18.78 | | |
| 9.5 | Timber battens - 50 x 38mm. Rate shall include for all fixing and joints. | m | 28.17 | | |
| | <i>Other</i> | | | | |
| 9.6 | Lysaght roofing sheet for Pump House. Rate shall include all necessary laps, fastening, fixtures and sealing of joints | m2 | 4.00 | | |
| 9.7 | Pump House Timber rafters - 100 x 50mm. Rate shall include for all fixing and joints | m | 4.00 | | |
| 9.8 | Pump House Timber battens - 50 x 38mm. Rate shall include for all fixing and joints. | m | 6.67 | | |
| | | | | | |
| 10 | Electrical works | | | | |
| | <i>Collection Bay Area</i> | | | | |
| 10.1 | Provide 3 phase 13 A power sockets in equipment room. Rate shall include connection to circuit breaker and all necessary accessories | Nos | 4 | | |
| 10.2 | Provide 100W ceiling mount energy saving light in equipment room, provide the switches near circuit breaker inside the equipment room. Rate shall include connection to circuit breaker | Nos | 1 | | |
| 10.3 | Provide 100W ceiling mount energy saving light in hazardous waste storage room, provide the switches near circuit breaker inside the equipment room. Rate shall include connection to circuit breaker | Nos | 1 | | |

| | | | | | |
|-----------|--|-----|------|--|--|
| 10.4 | Provide and mount a Ceiling fan inside the Equipment Room as indicated. Rate shall include provision of switch near the circuit breaker inside the equipment room, connection to circuit breaker and all necessary accessories | Nos | 1 | | |
| 10.5 | Supply and fix electric meter, 4 pole MCCB, Single Phase distribution board and 3 Phase distribution board as shown on drawing. Earth link and connection to earth rod with proper earth pit should be provided as well | LS | 1 | | |
| 10.6 | Provide and mount a exhaust fan inside the Equipment Room and Hazardous Waste Storage Room. Rate shall include provision of switch near the circuit breaker inside the equipment room, connection to circuit breaker and all necessary accessories | LS | 2 | | |
| 10.7 | Provide weather proof switch for all lights | LS | 1 | | |
| 10.8 | Provide 25 sqmm 4 core power supply cable from nearest distribution box to waste yard distribution board | m | 150 | | |
| | <i>Other</i> | | | | |
| 10.9 | Provide 13 A power socket for well water pump inside the Pump House, provide the switch for the pump near circuit breaker inside the equipment room. Rate shall include connection to circuit breaker. | Nos | 1 | | |
| 10.10 | Provide 200 W flood light for illuminating the waste yard. Rate shall include connecting each light to a switch near circuit breaker inside the equipment room and providing power to the switch | Nos | 2 | | |
| 10.11 | Provide well water pump. Rate shall include its fixing inside the Pump House | Nos | 1 | | |
| | | | | | |
| 11 | Plumbing works | | | | |
| 11.1 | Provide connection from pump to ground water well. Rate shall include all necessary pipes, bends, fittings and footvalve and others as maybe required. | LS | 1 | | |
| 11.2 | Provide outlet pipes as shown on drawing. Rate shall include connection to pump, bends, fittings and others as maybe necessary. | LS | 1 | | |
| 11.3 | Provide PVC taps at ends of outlet pipes. | Nos | 2 | | |
| 11.4 | Supply 25mm diameter flexible hose | m | 25.0 | | |
| | | | | | |
| 12 | Doors and windows | | | | |

| | | | | | |
|-----------|--|-----|--------|--|--|
| | <i>Metal Doors</i> | | | | |
| 12.1 | Provide lockable metal sliding gates for entrance to hazardous waste storage room. Rate shall include all cuts, welds, applying protective coating to welded joints, painting the door and proper fixing of the door. Rate shall include fabrication and fixing of guide rails and wheels as well. | Nos | 1 | | |
| 12.2 | Provide lockable metal folding gates for entrance to Equipment room. Rate shall include all cuts, welds, applying protective coating to welded joints, painting the door and proper fixing of the door. Rate shall include fabrication and fixing of guide rails and wheels as well. | Nos | 2 | | |
| 12.3 | Provide lockable metal gates for entrance to waste yard as specified in the drawing. Rate shall include all cuts, welds, applying protective coating to welded joints, painting the frame and properly fixing the door to the fence. | Nos | 1 | | |
| | <i>Timber Doors</i> | | | | |
| 12.4 | Provide a lockable timber door of dimensions 1000mm x 1000mm with double door frames and fixed timber louvers for the ground water pump room hut. Rates shall include all materials, hinges and fixings. | Nos | 1 | | |
| | | | | | |
| 13 | Other Works | | | | |
| | <i>Collection Bay Area</i> | | | | |
| 13.1 | Provide a 5" vinyl roof gutter with 2" x 3" downspout. Rates shall include all materials and fastenings. | LS | 1 | | |
| | <i>Perimeter Wall</i> | | | | |
| 13.2 | 50 x 50 PVC coated mesh. Rate shall include properly securing the mesh to G.I steel frame | m2 | 164.01 | | |
| | | | | | |
| 14 | Demobilization Works | | | | |
| 14.1 | Setup sign boards on site as specified | LS | 1 | | |
| 14.2 | Clean up site upon completion of works | LS | 1 | | |
| 14.3 | Demobilization | LS | 1 | | |

TOTAL

6: دسورنامہ لائڈنگ ڈسٹریکٹ برٹو - ڈسٹرکٹ ڈسٹریکٹ

ڈسٹریکٹ ڈسٹریکٹ ڈسٹریکٹ

UPGRADE OF WASTEMANAGEMENT CENTRE - GA. KOLAMAFUSHI

Bill of Quantities

SUMMARY SHEET

| Bill No | Item | Amount |
|---------|-----------------------------------|--------|
| 1 | Preliminaries | |
| 2 | Site clearance/Demolition/Removal | |
| 3 | Earth works | |
| 4 | Concrete works | |
| 5 | Structural steel works | |
| 6 | Masonry works | |
| 7 | Plastering works | |
| 8 | Painting works | |
| 9 | Roofing works | |
| 10 | Electrical works | |
| 11 | Plumbing works | |
| 12 | Doors and windows | |
| 13 | Other Works | |
| 14 | Demobilization | |
| | Sub Total | |
| | GST 6% | |

تَجَرُّوهُ 1 : نَسْتَوِيهِ مَرَجٍ مَّسْحُورٍ رَكْرَكٍ زَسْبَجٍ نَجْرِيٍّ سَجَّ مَسْحُورٍ

سَجَّ مَرَجٍ / مَرَجٍ مَسْحُورٍ مَرَجٍ مَسْحُورٍ مَرَجٍ مَسْحُورٍ مَرَجٍ مَسْحُورٍ مَرَجٍ مَسْحُورٍ

خاتمه 2 : وسیع مہترہ دے نامزد ہو



PROJECT:

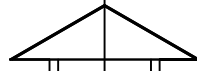
**CONSTRUCTION OF WASTE BURNER
AT GA. KOLMAAFUSHI**

PREPARED BY:

WASTE MANAGEMENT AND POLLUTION CONTROL DEPARTMENT
MINISTRY OF ENVIRONMENT AND ENERGY

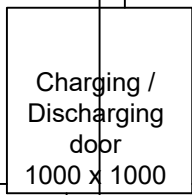
JULY 2017

SECTION AA



Exterior and interior surface painted using marine grade high temperature paint

Exterior and interior surface painted using marine grade high temperature paint



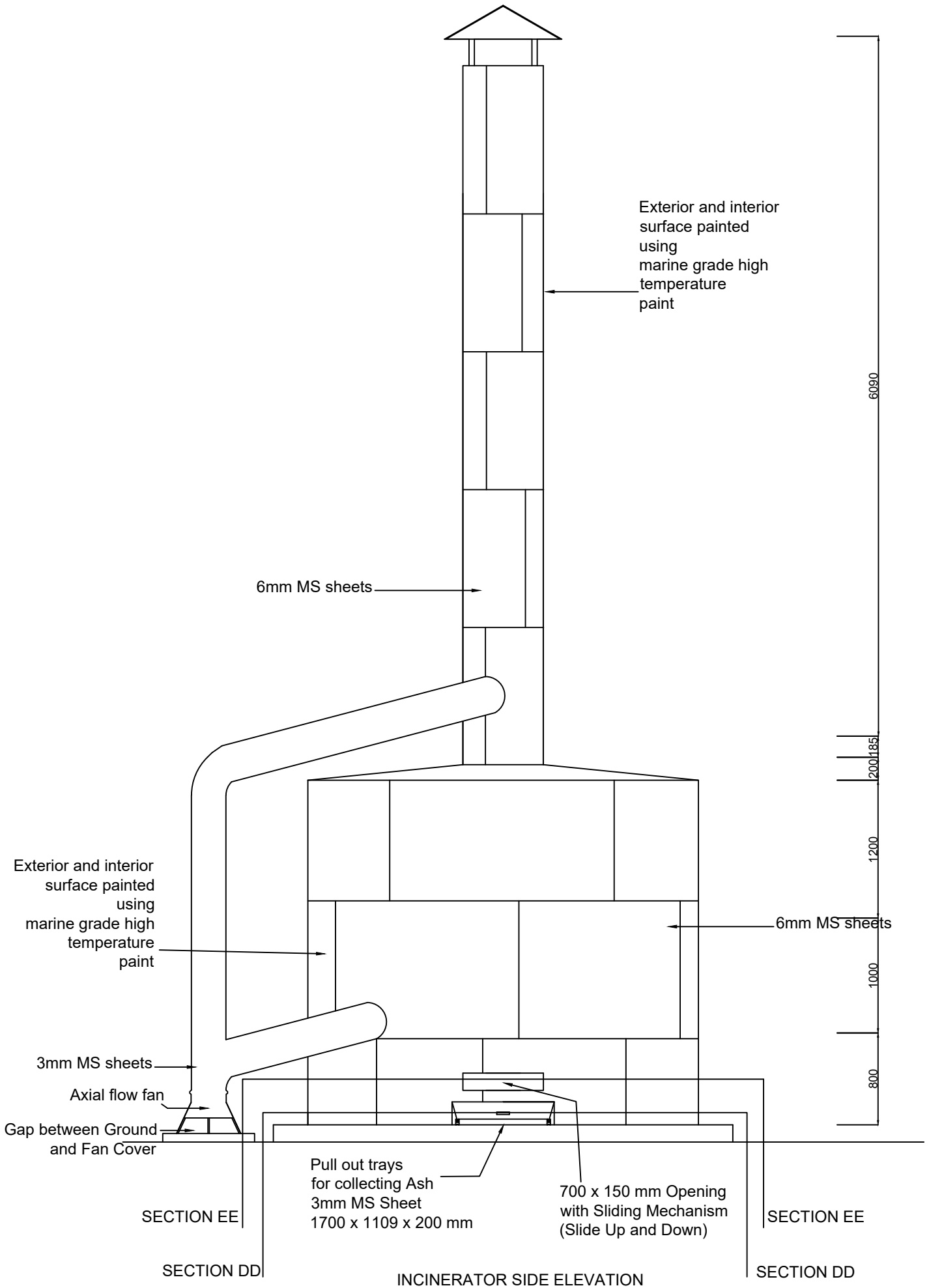
700 x 150 mm Opening with Sliding Mechanism (Slide Sideways) 300mm from the bottom of the incinerator

Pull out trays for collecting Ash
3mm MS Sheet
1700 x 1190 x 200 mm

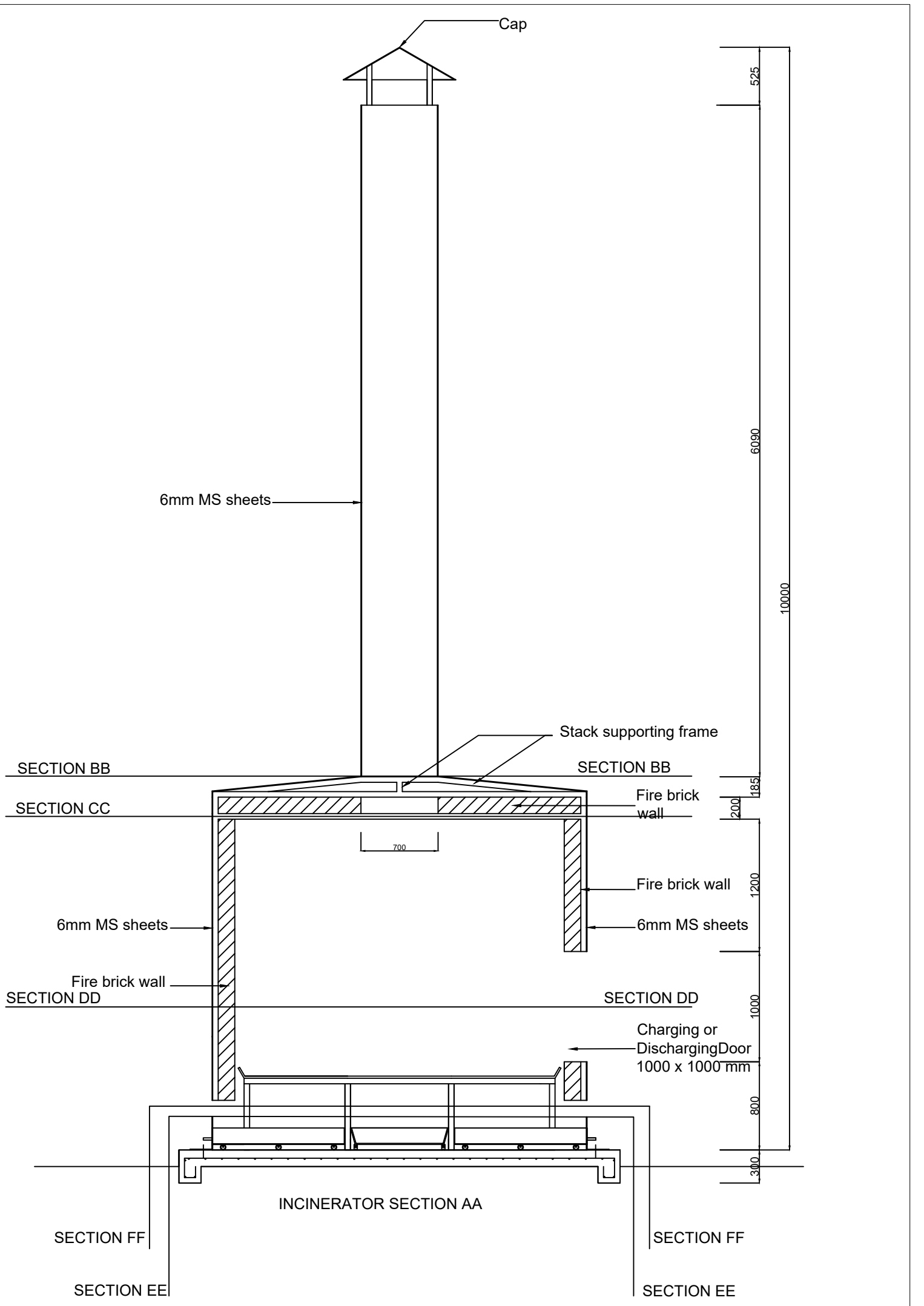
Pull out trays for collecting Ash
3mm MS Sheet
1145 x 1109 x 200 mm

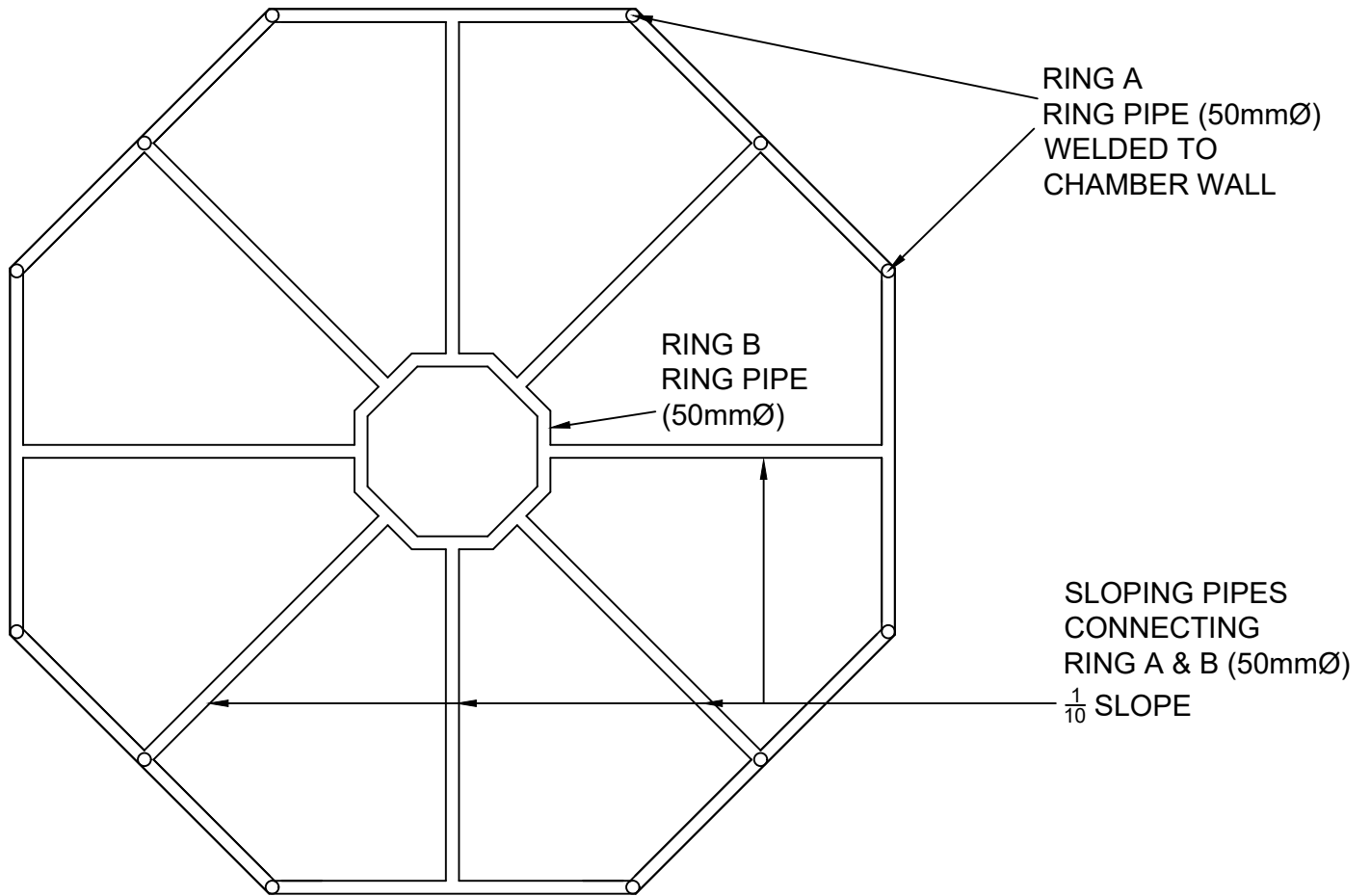
SECTION AA



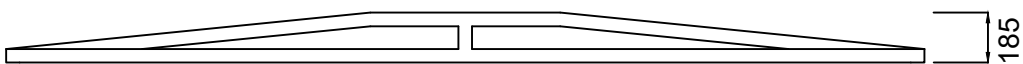


INCINERATOR SIDE ELEVATION

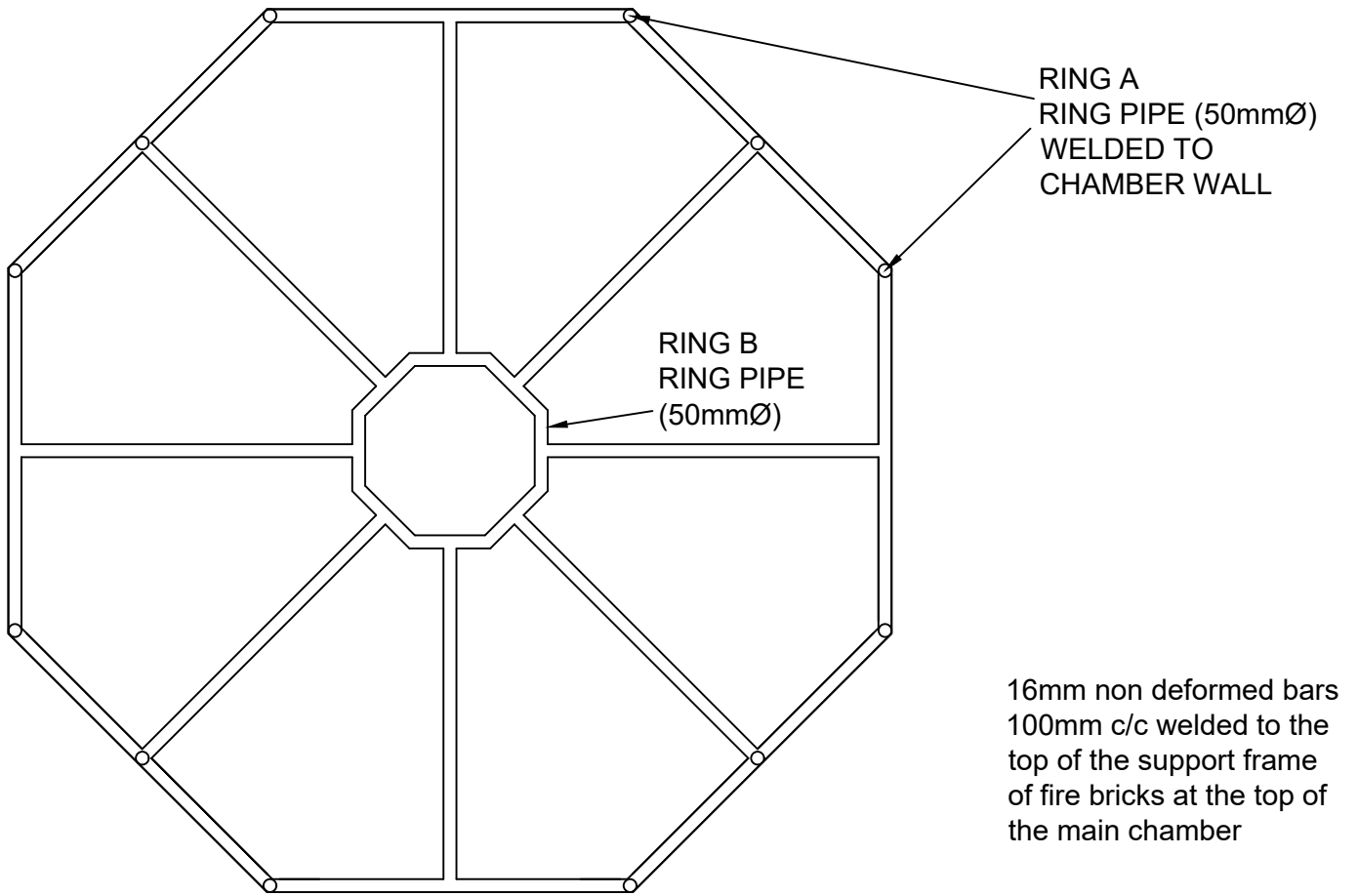




PLAN OF INCINERATOR SECTION BB
STACK SUPPORTING FRAME



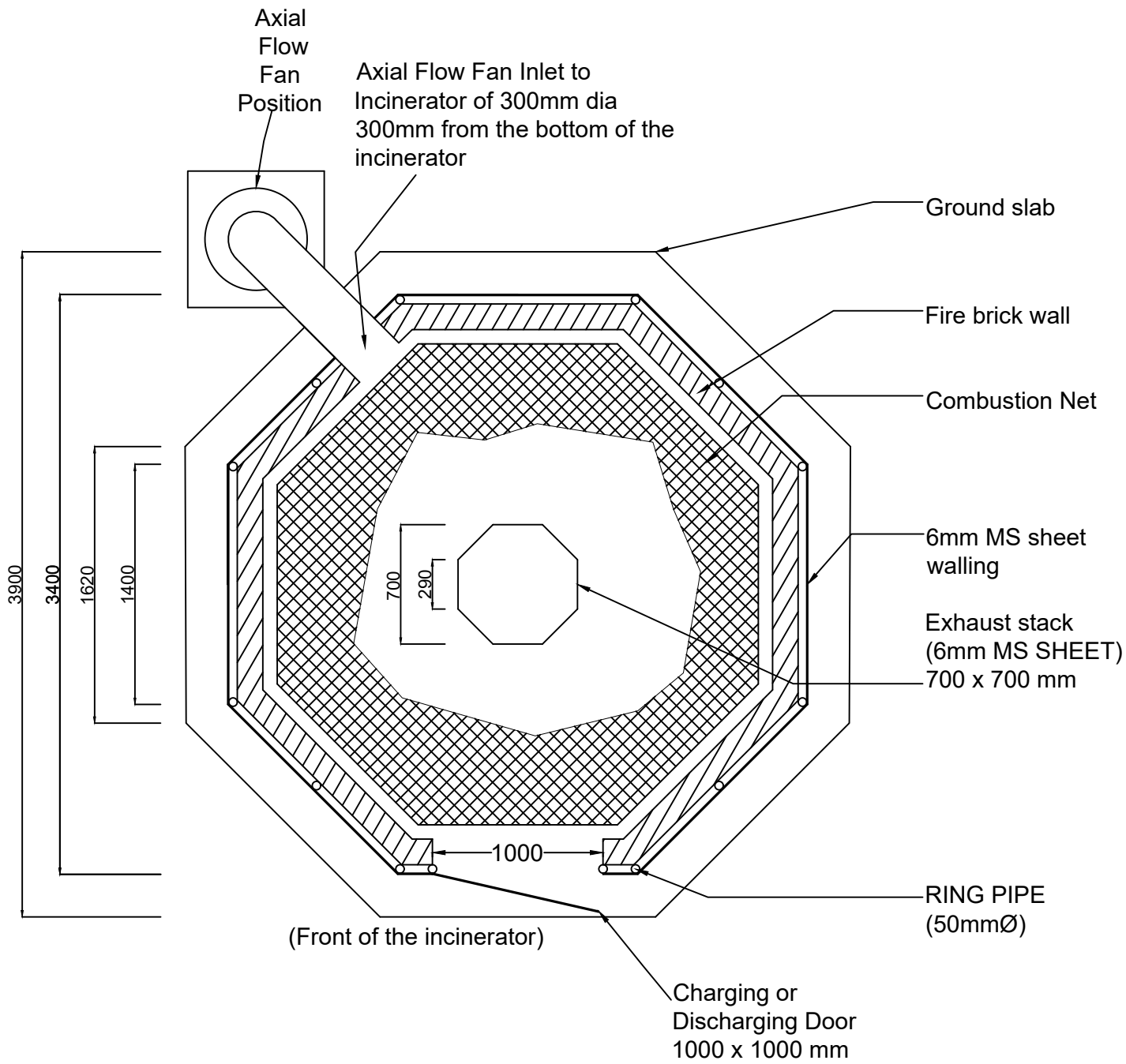
ELEVATION OF INCINERATOR SECTION BB
STACK SUPPORTING FRAME



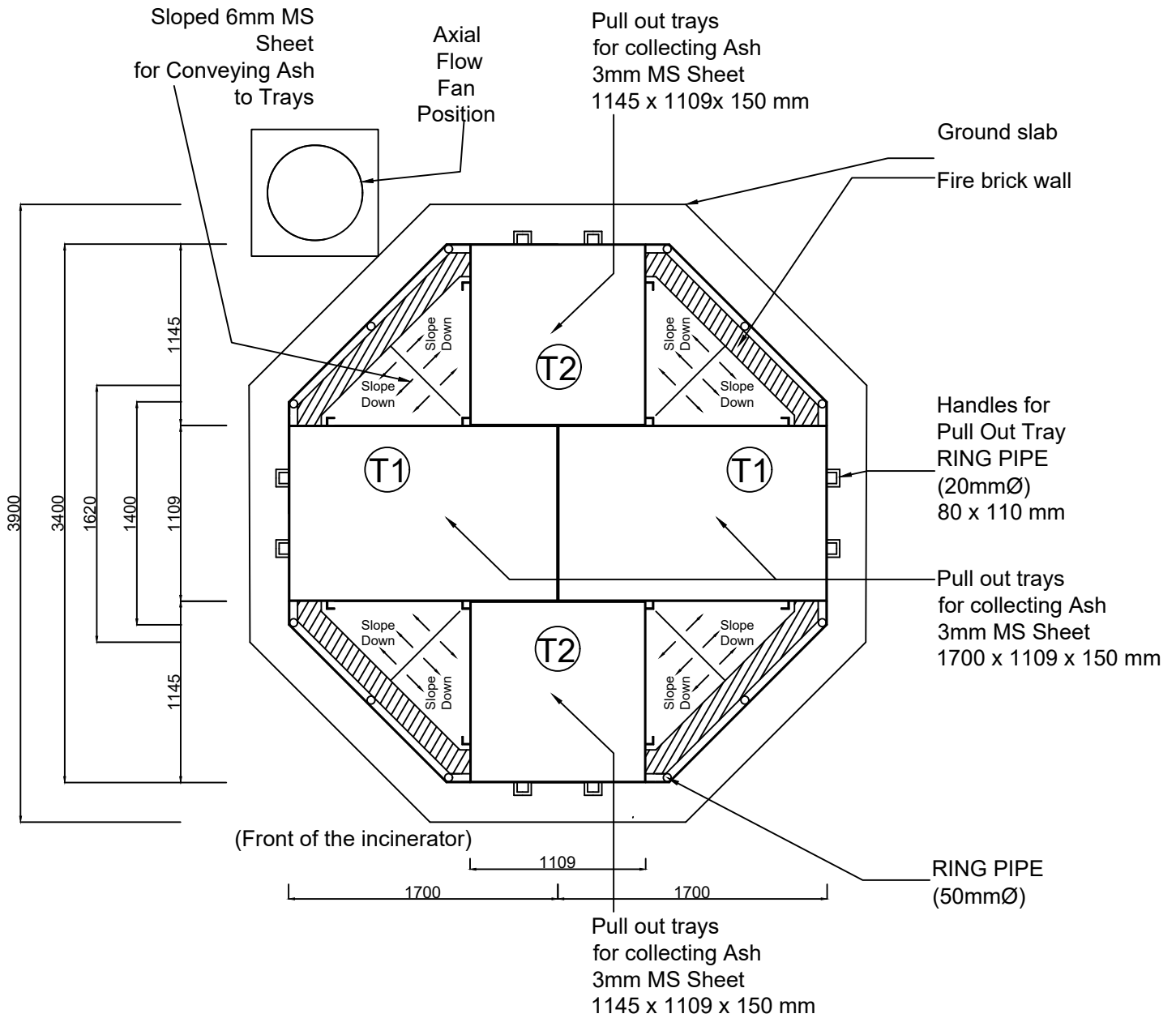
PLAN OF INCINERATOR SECTION CC
MAIN CHAMBER TOP FIRE BRICKS SUPPORTING FRAME



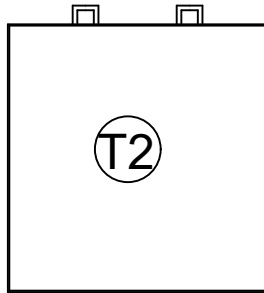
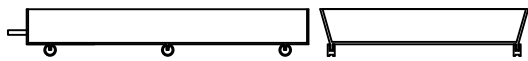
ELEVATION OF INCINERATOR SECTION CC
MAIN CHAMBER TOP FIRE BRICKS SUPPORTING FRAME



INCINERATOR SECTION DD

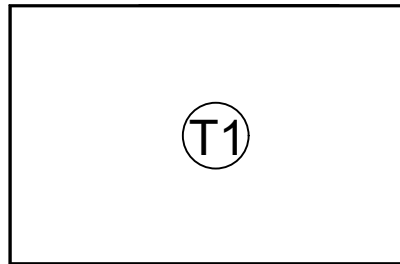
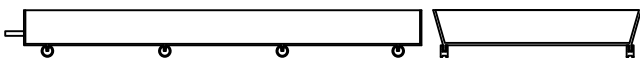


INCINERATOR SECTION EE
 ASH COLLECTION



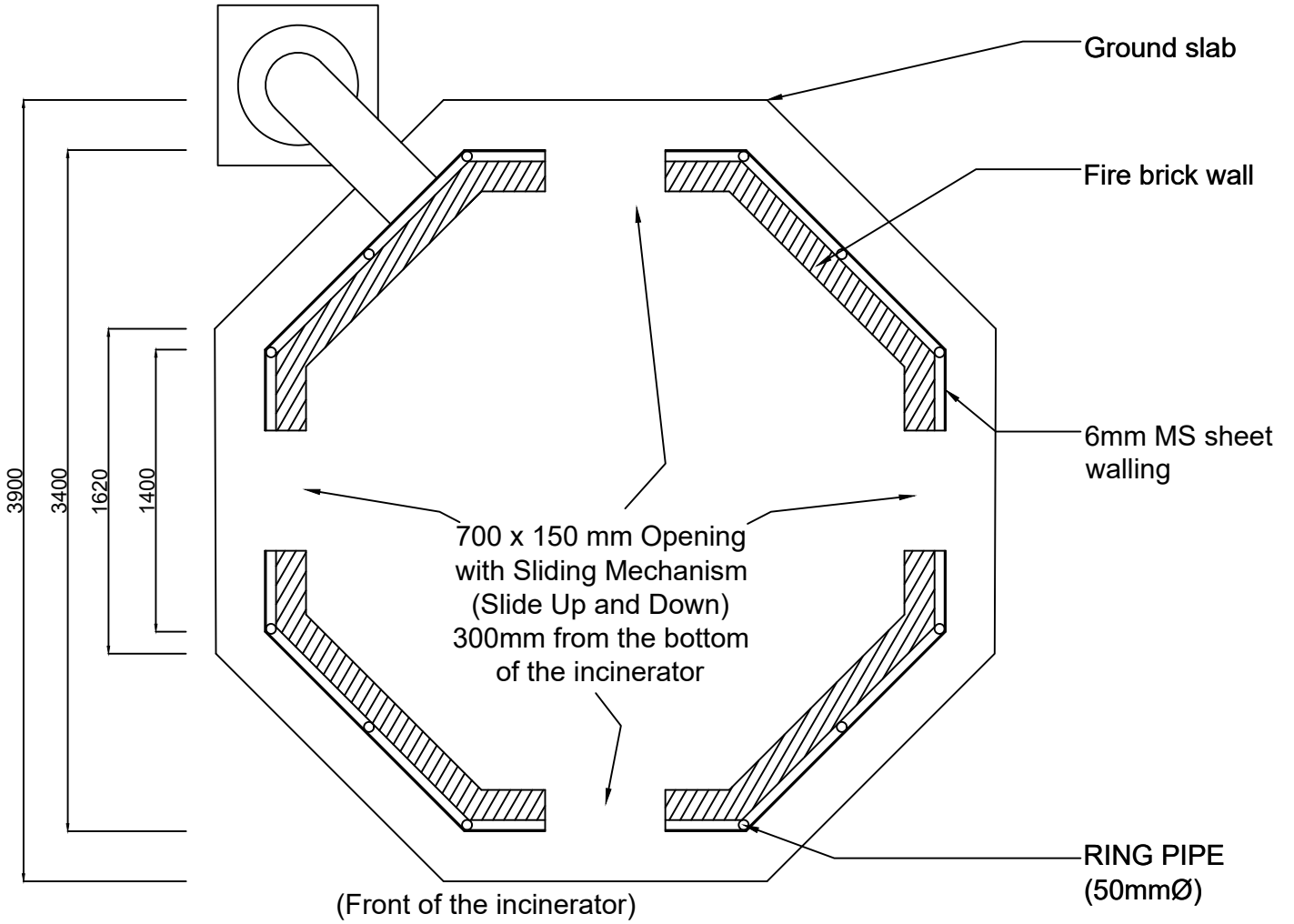
TRAY 2

*Pull out trays
for collecting Ash
3mm MS Sheet
1145 x 1109x 150 mm
*Three wheels along
length of two sides

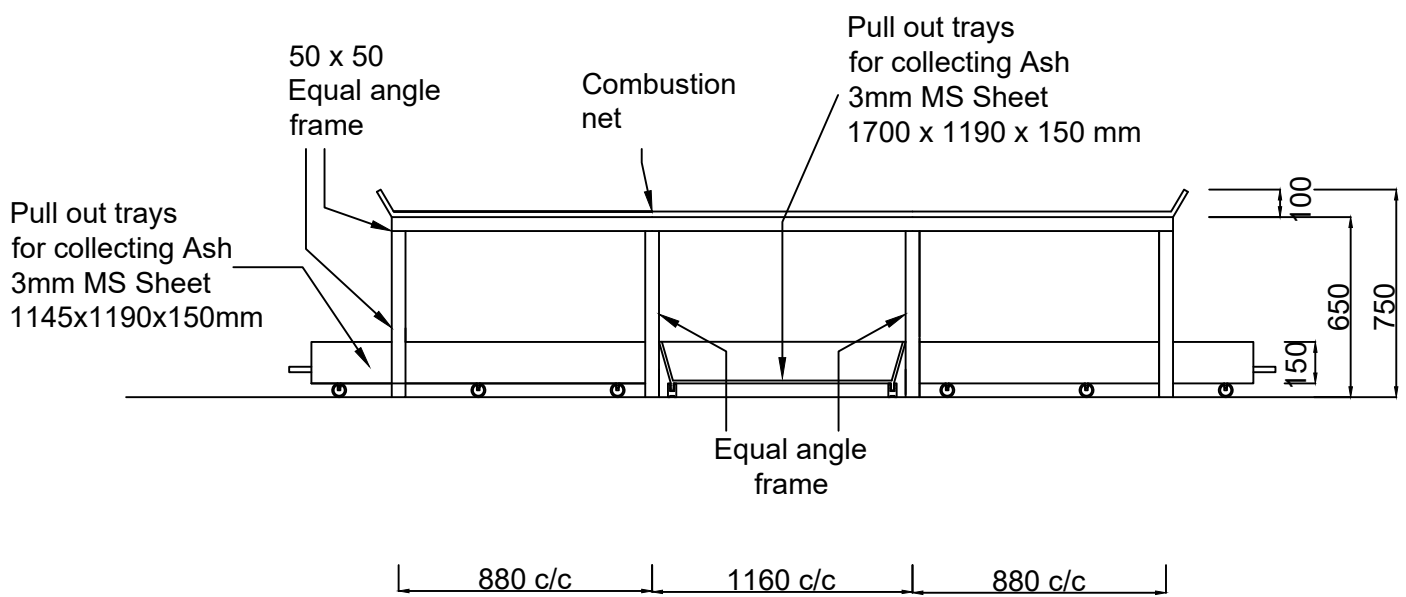


TRAY 1

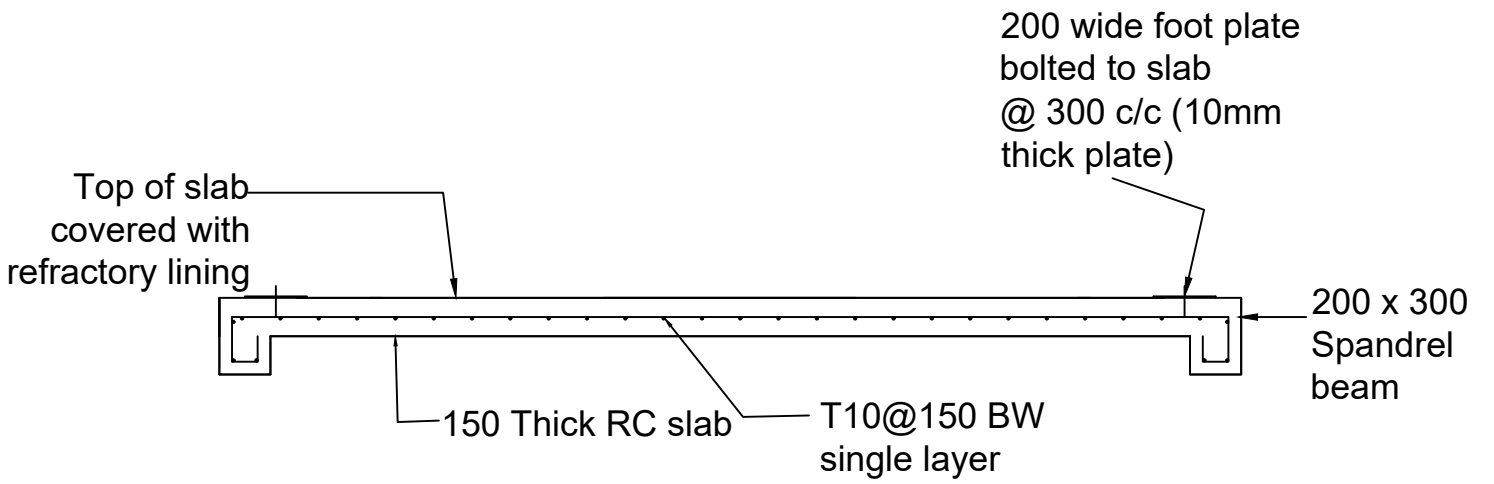
*Pull out trays
for collecting Ash
3mm MS Sheet
1700 x 1109 x 150 mm
*Four wheels along
length of two sides



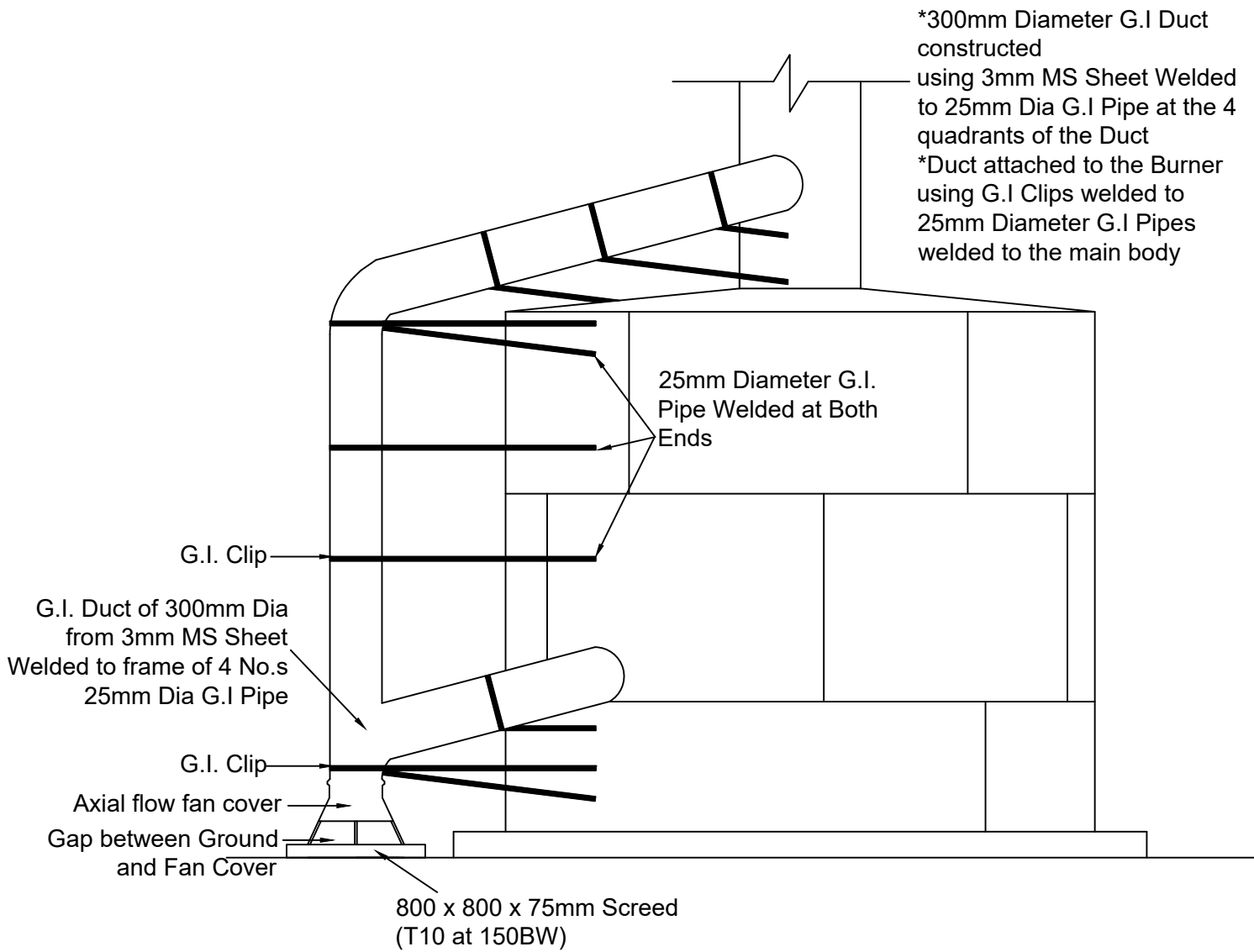
INCINERATOR SECTION FF
 SLIDING OPENINGS



INCINERATOR COMBUSTION NET SUPPORT
FRAME AND ASH COLLECTION SECTION
(From the front of the incinerator)

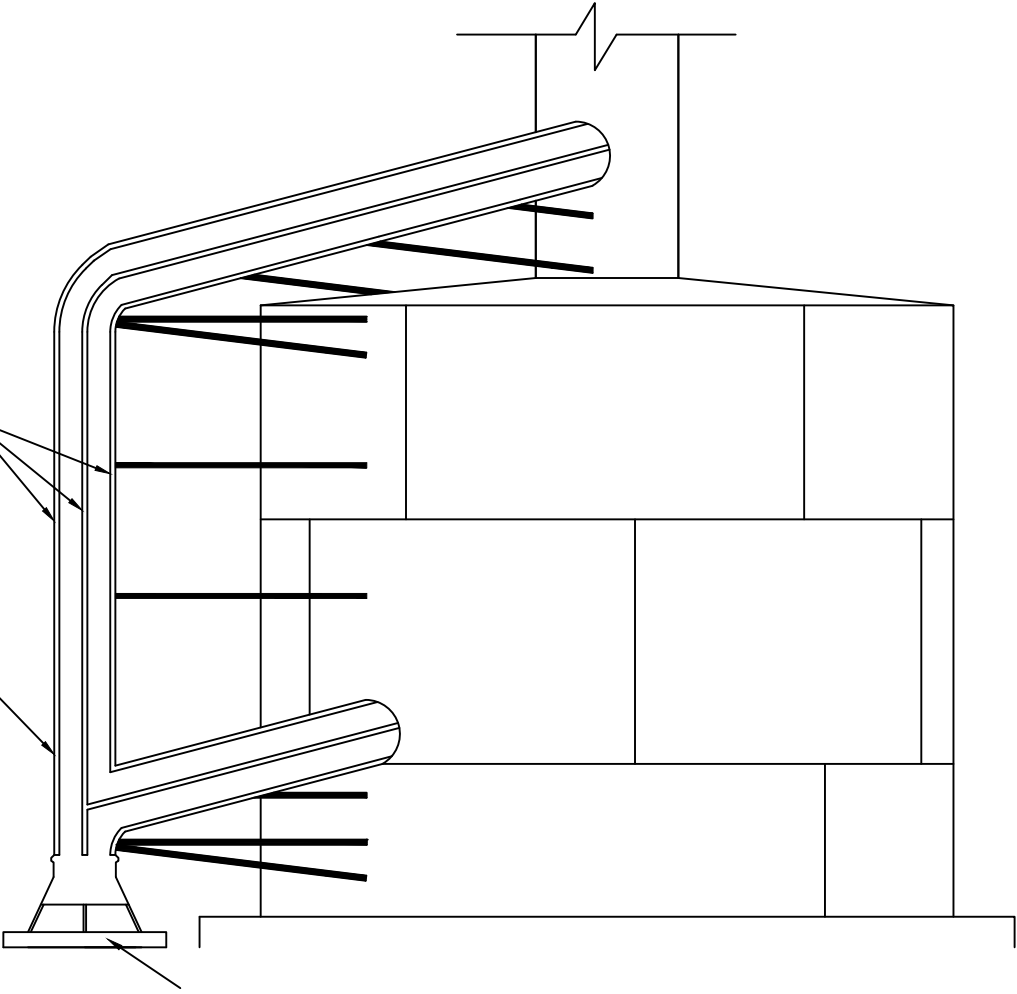


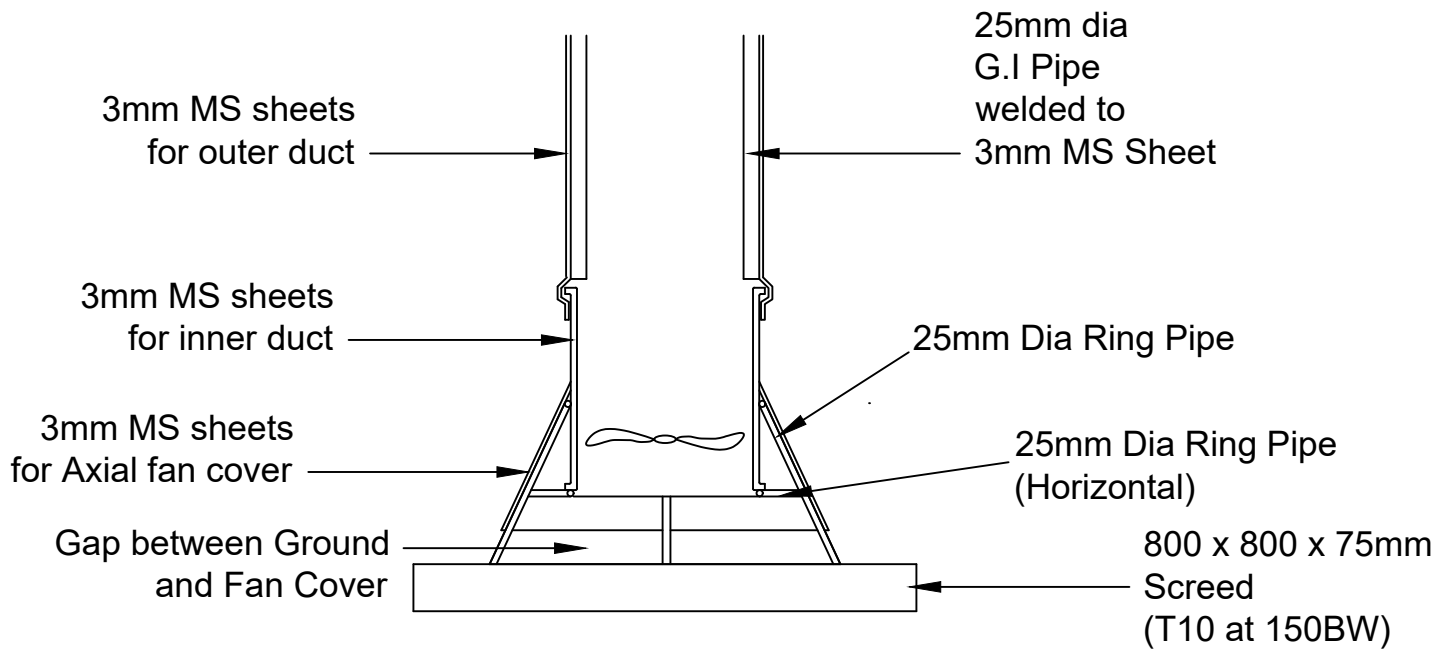
INCINERATOR CONCRETE SLAB



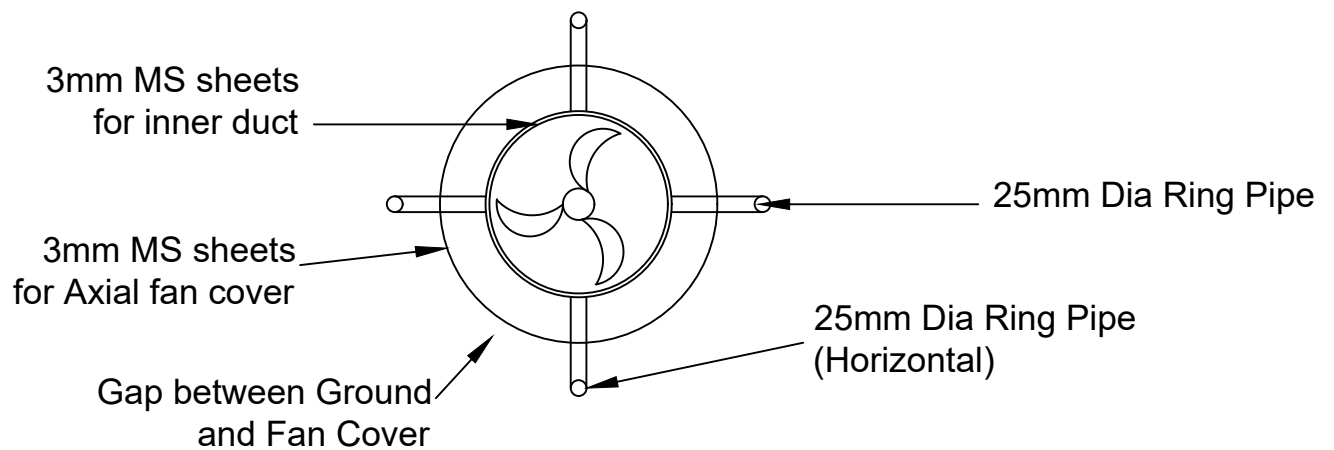
25mm Dia G.I Pipe
Welded at the 4 quadrants
of the Duct

G.I. Duct of 300mm Dia
from 3mm MS Sheet

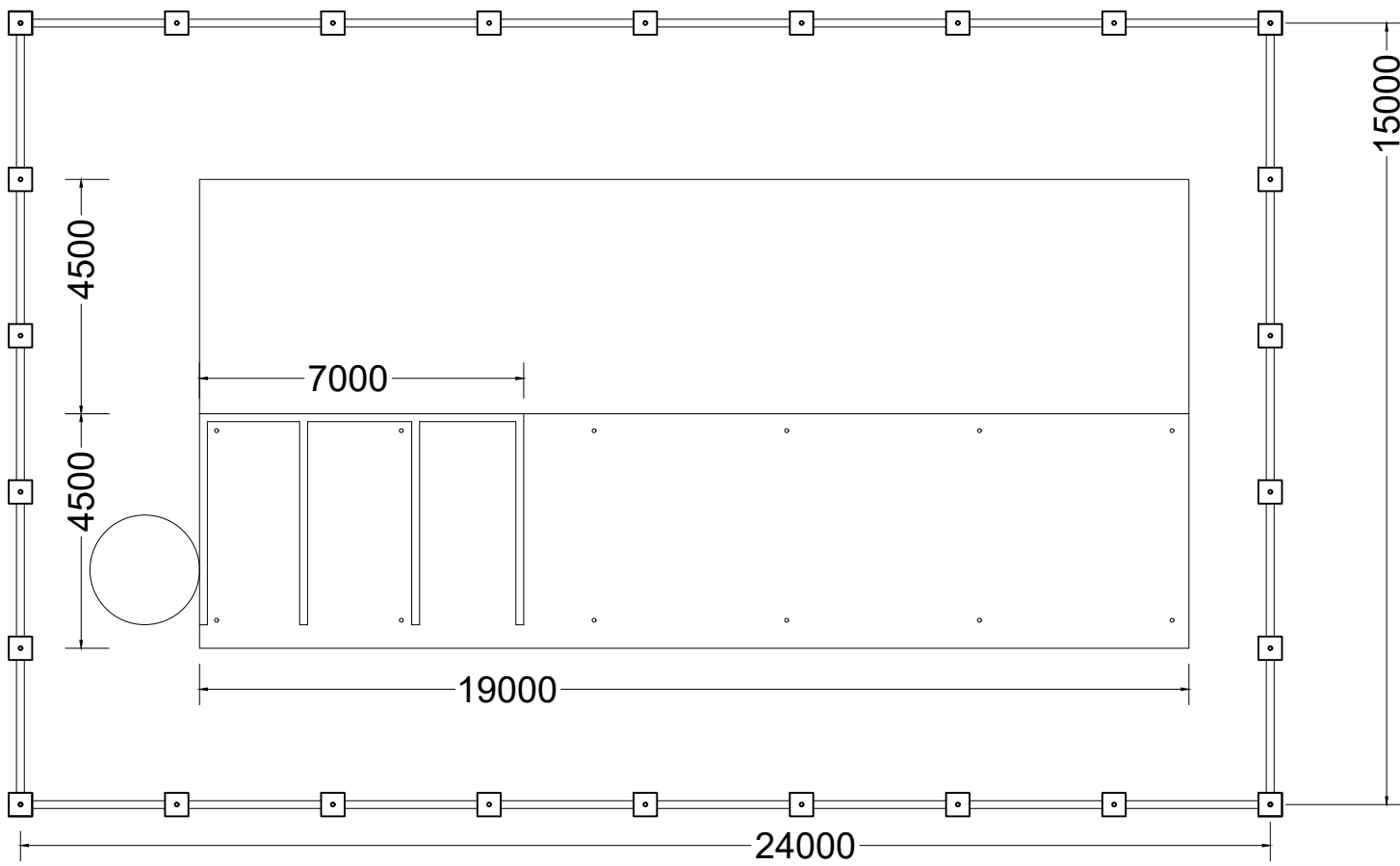




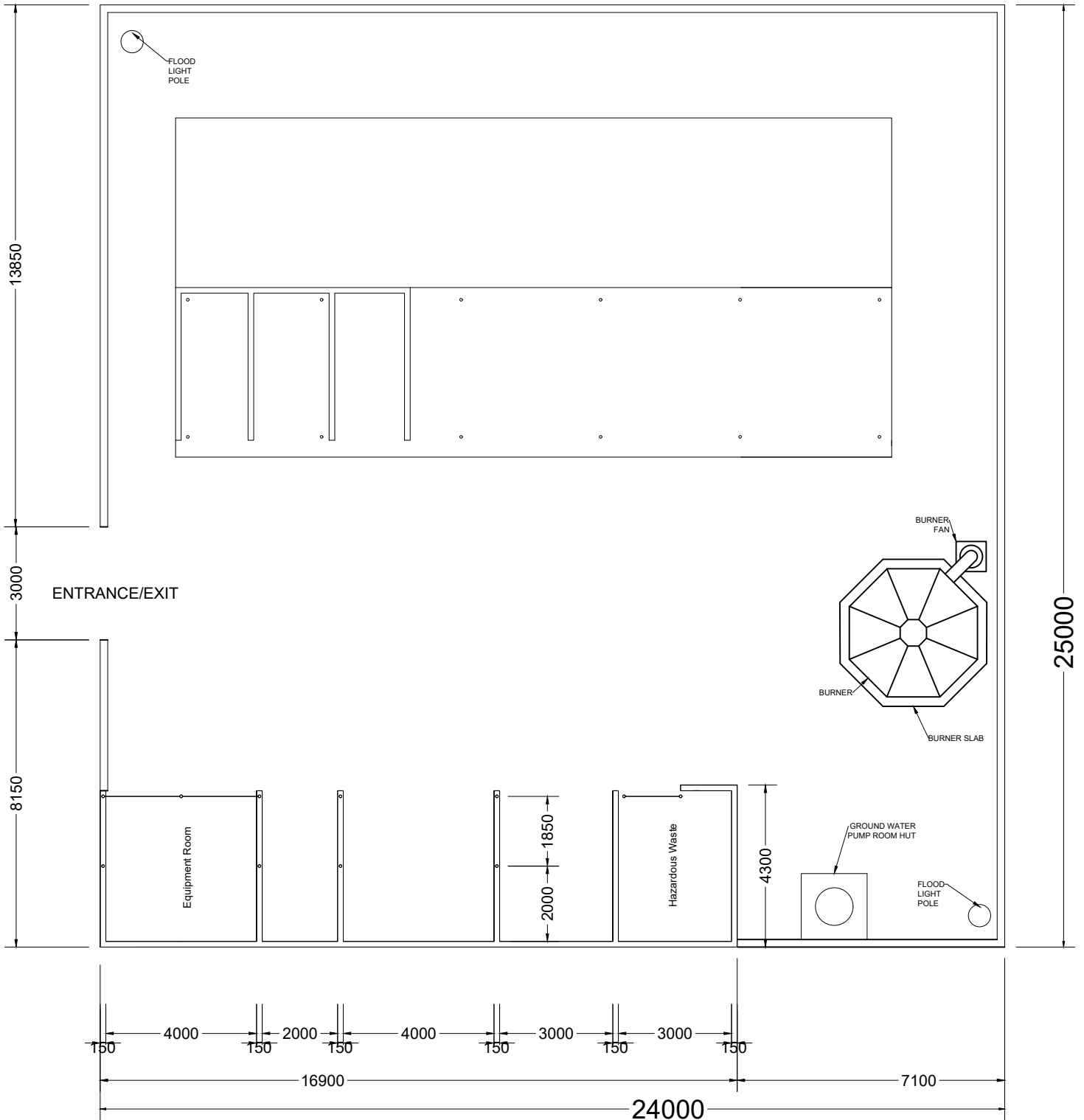
AXIAL FLOW FAN SIDE ELEVATION



AXIAL FLOW FAN HOUSING TOP VIEW



EXISTING SITE



PROPOSED EXTENSION OF EXISTING SITE



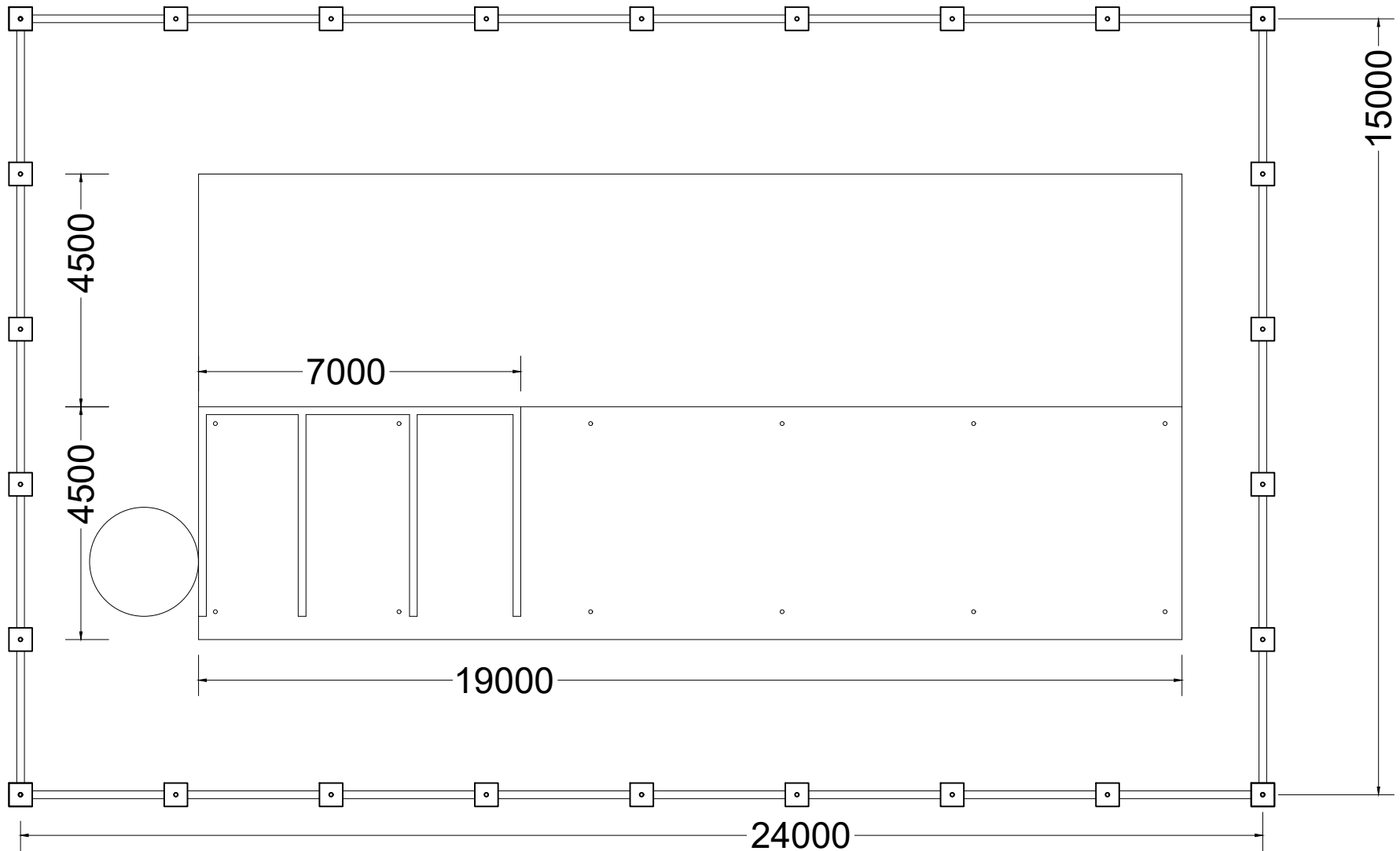
PROJECT:

**CONSTRUCTION OF
AN ISLAND WASTE MANAGEMENT CENTRE
For GA. KOLAMAAFUSHI**

PREPARED BY:

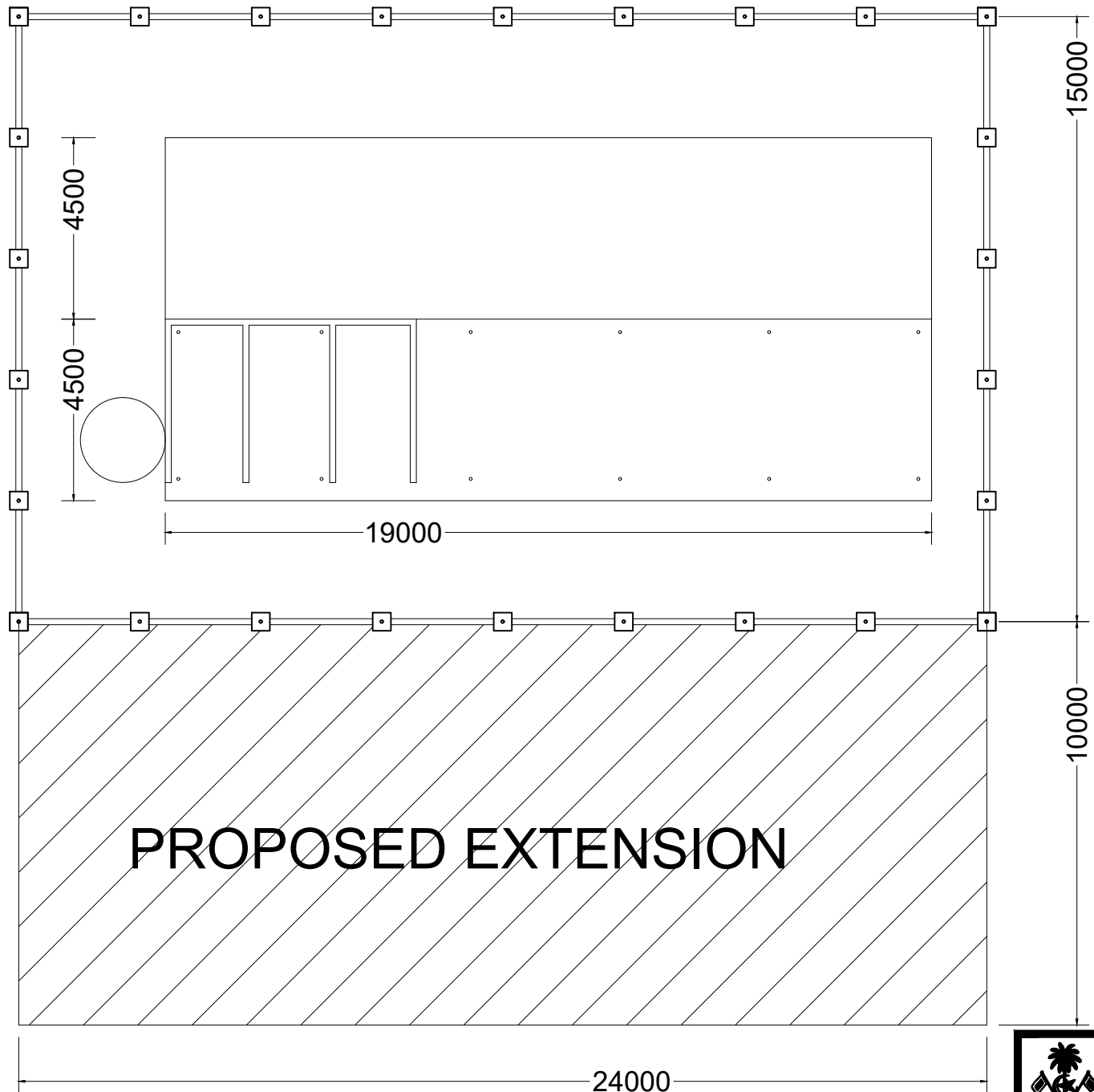
WASTE MANAGEMENT AND POLLUTION CONTROL DEPARTMENT
MINISTRY OF ENVIRONMENT AND ENERGY

AUGUST 2017



EXISTING SITE LAYOUT

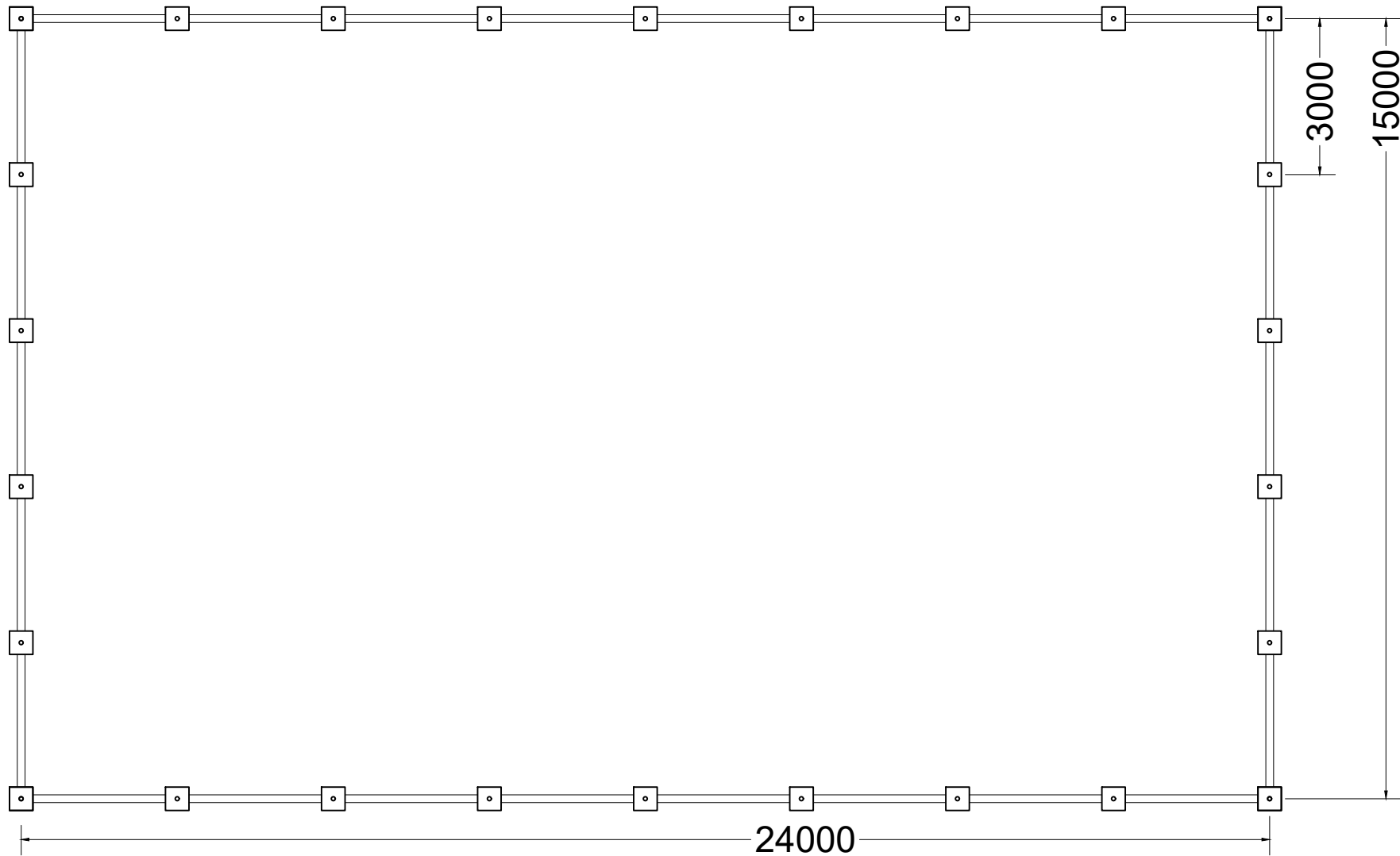




PROPOSED EXTENSION

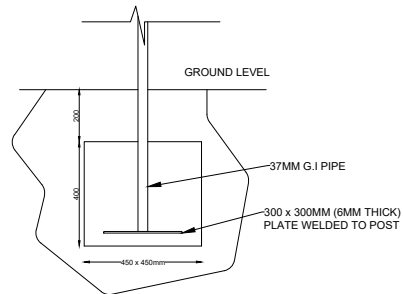
24000

WMPC DEPARTMENT
MINISTRY OF ENVIRONMENT AND ENERGY
 GREEN BUILDING, HANDEHUWREE HINGUN,
 MAAFANNU, MALÉ (20392), REPUBLIC OF MALDIVES
 TEL:3018431, 3018300, FAX:328301

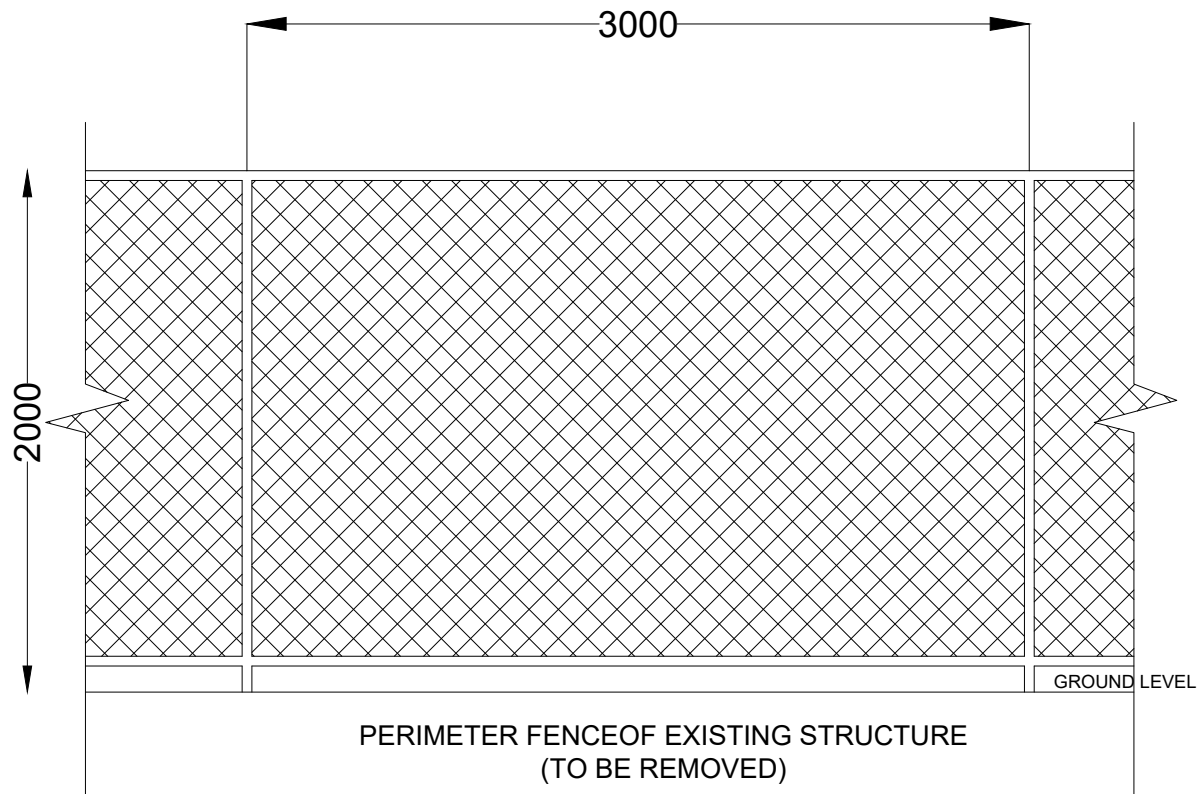


PARTS OF EXISTING LAYOUT TO BE DEMOLISHED OR REMOVED

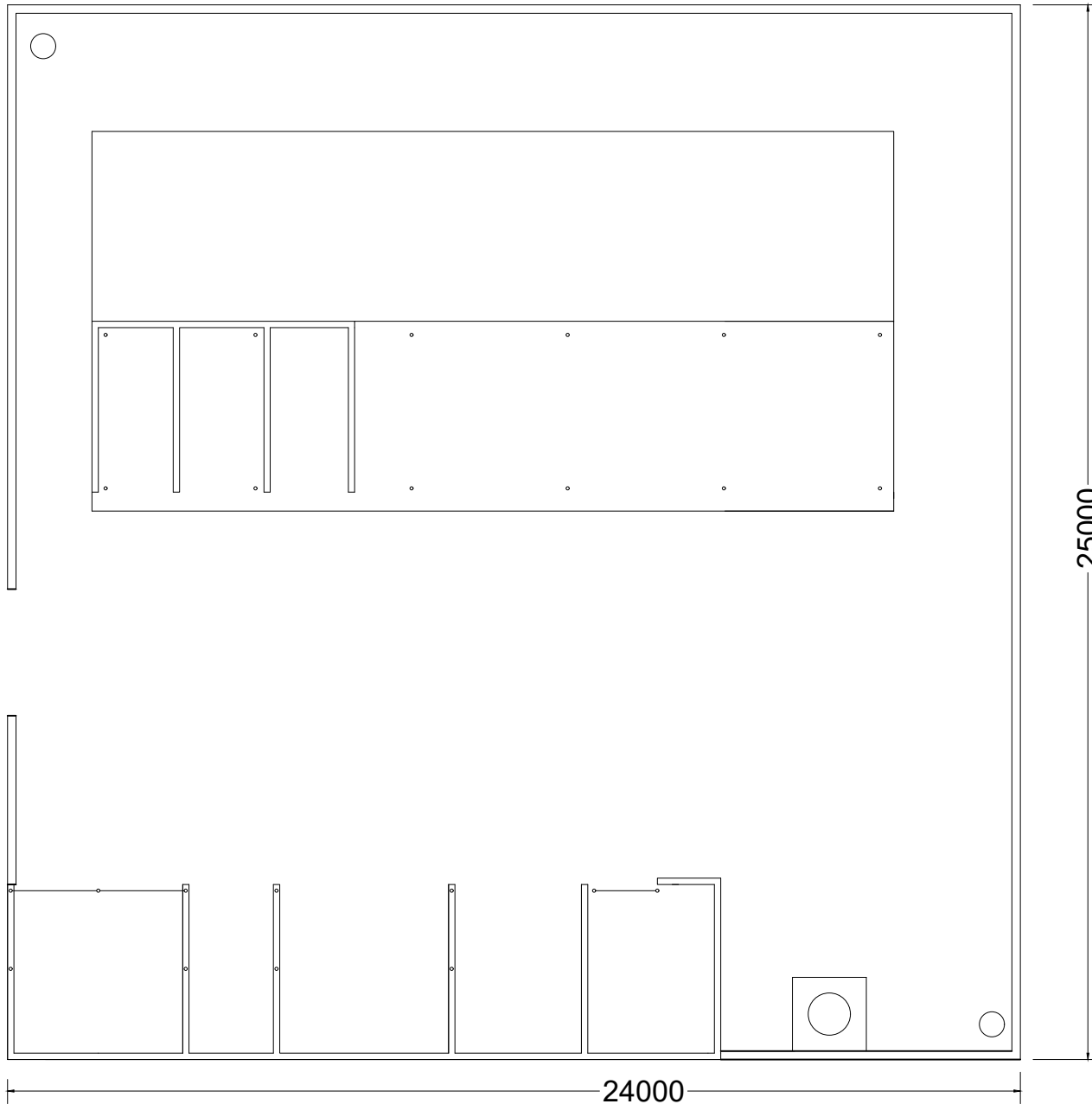




FOUNDATION DETAIL OF EXISTING PERIMETER FENCE
 TOTAL NUMBER OF COLUMNS: 26
 (TO BE REMOVED)



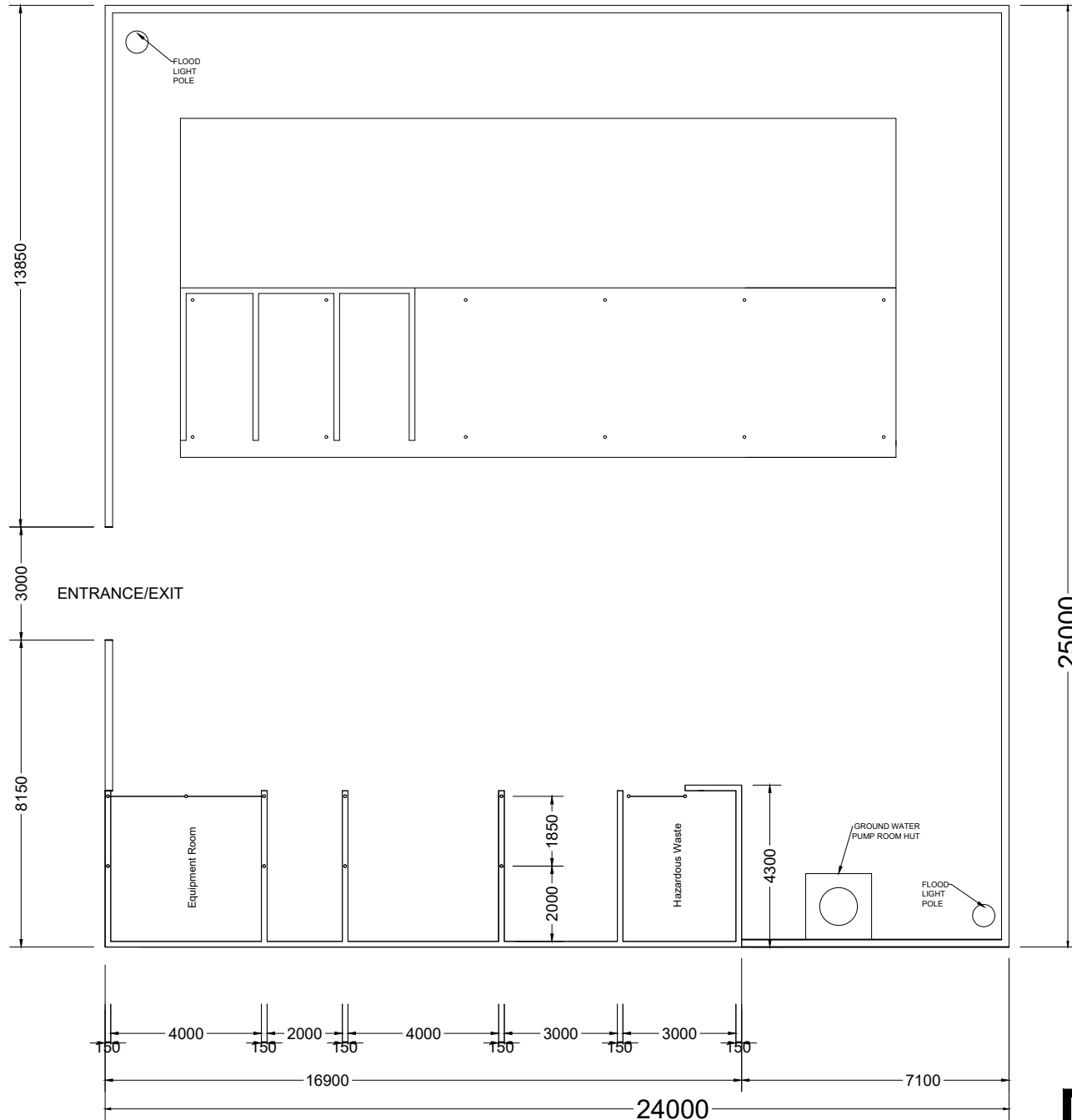
DETAILS OF PARTS TO BE DEMOLISHED OR REMOVED



SITE LAYOUT

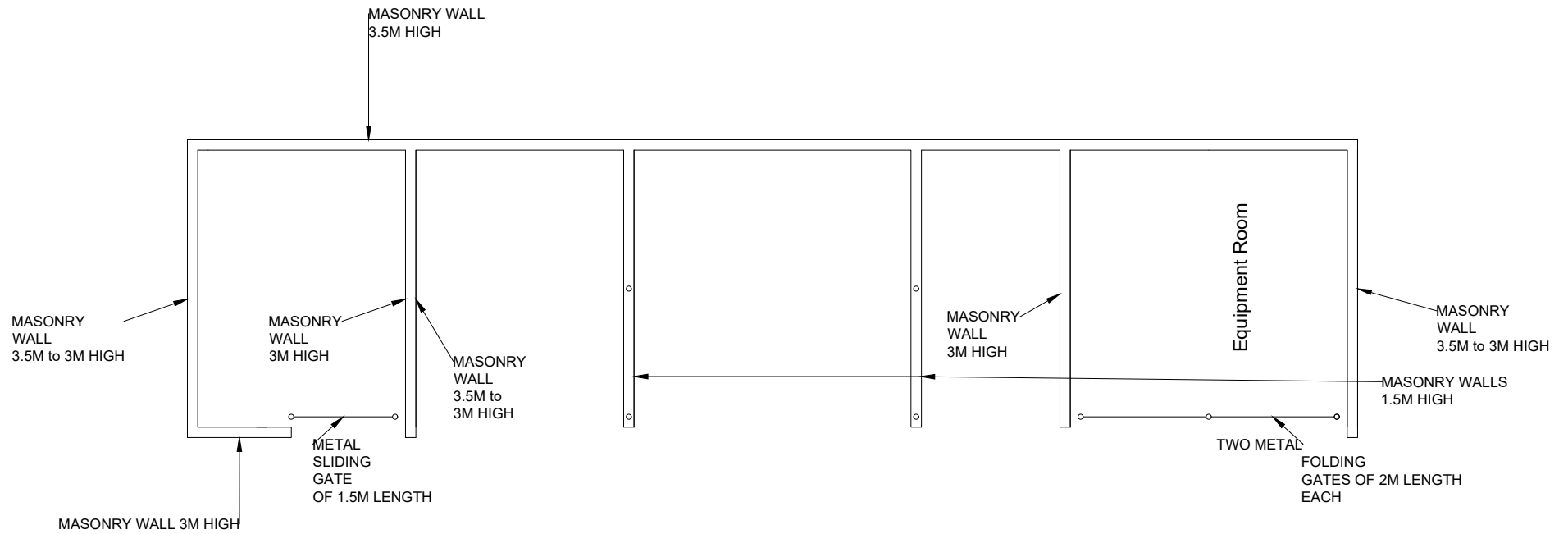


WMPC DEPARTMENT
MINISTRY OF ENVIRONMENT AND ENERGY
GREEN BUILDING, HANDEHUWREE HINGUN,
MAAFANNU, MALÉ (20392), REPUBLIC OF MALDIVES
TEL:3018431, 3018300, FAX:328301



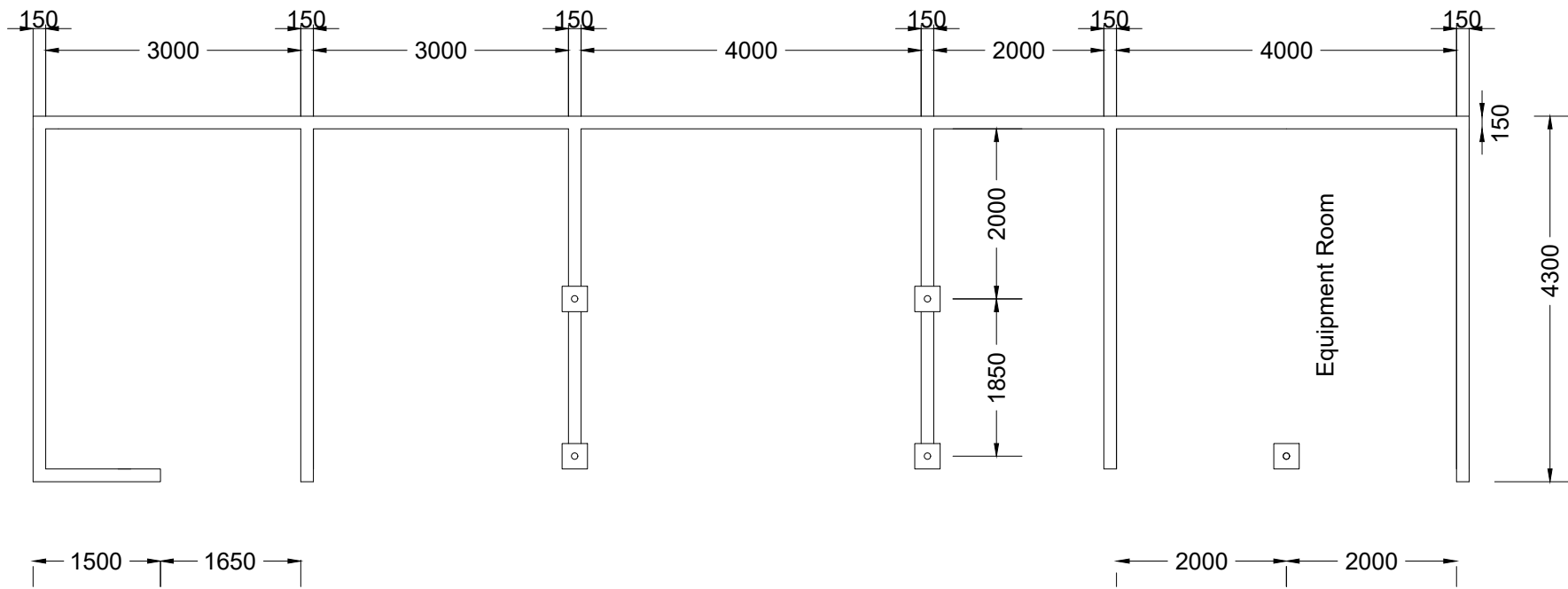
SITE LAYOUT





COLLECTION BAY - PLANS

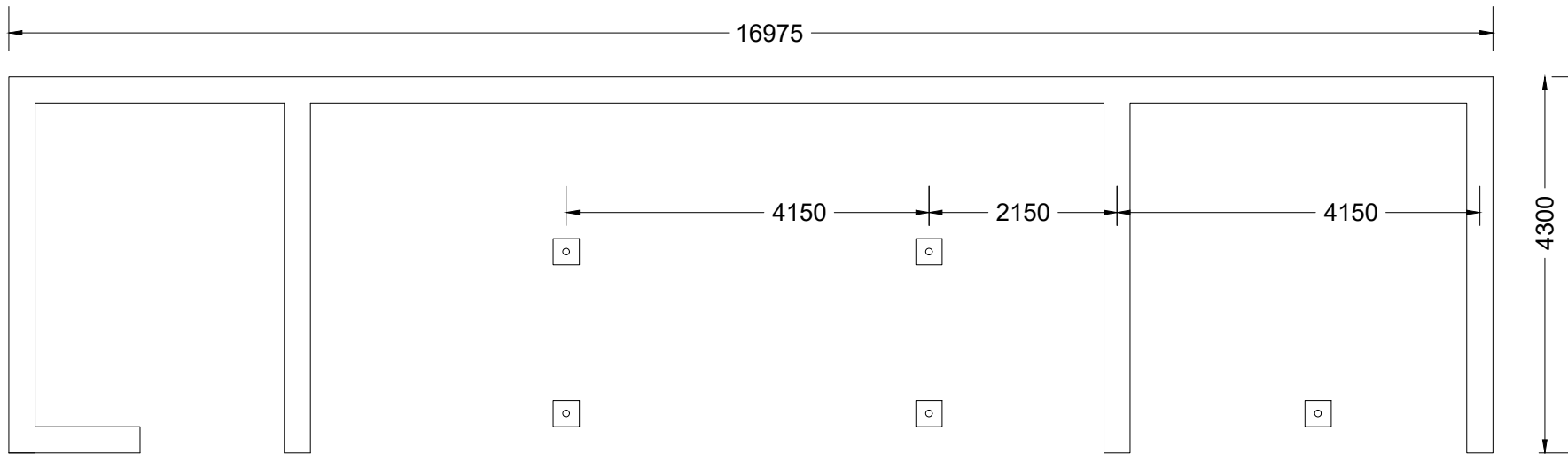




FLOOR PLAN

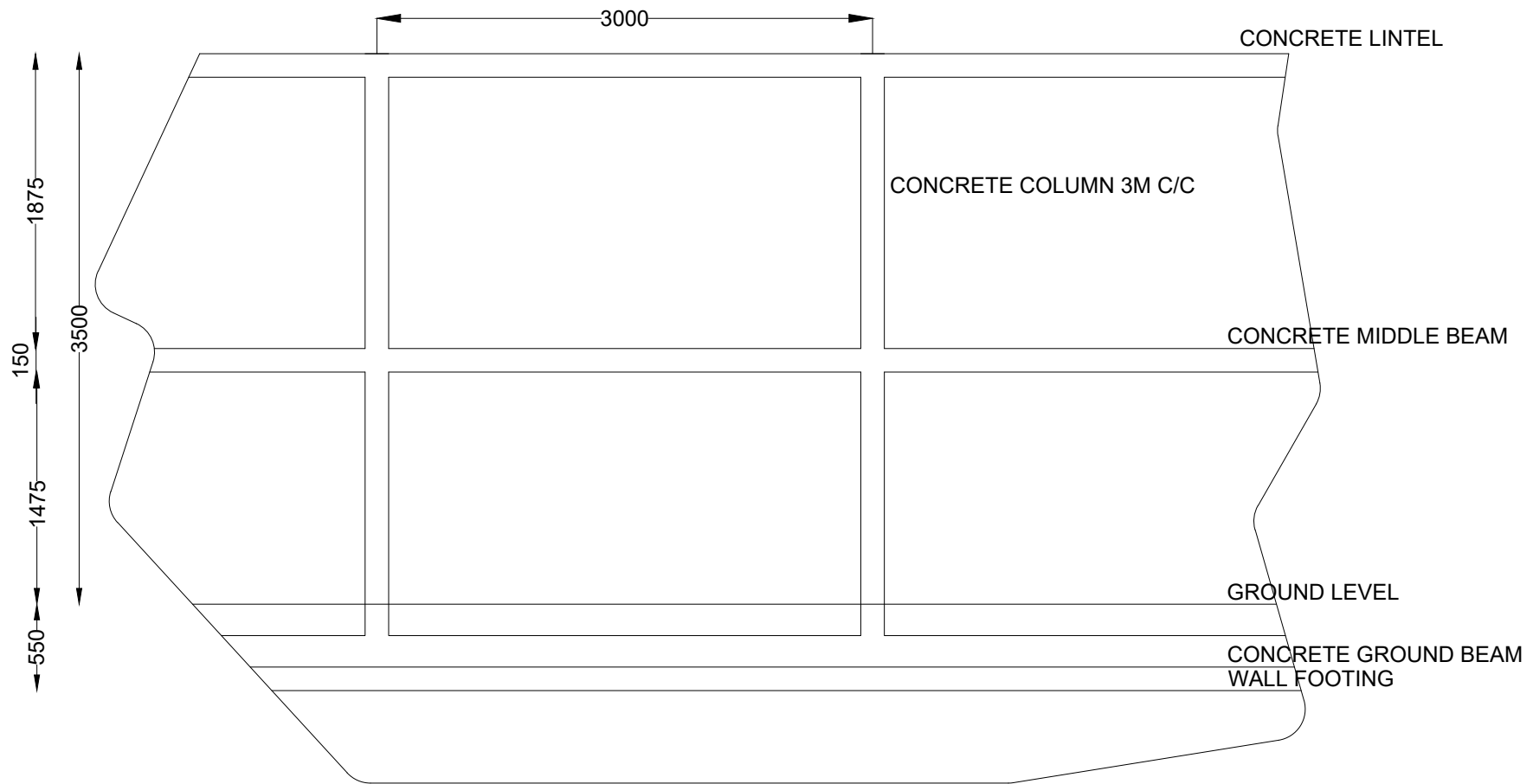
COLLECTION BAY - FLOOR PLAN





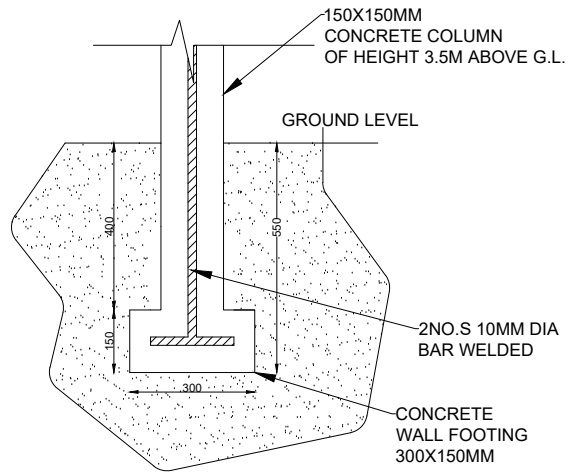
COLLECTION BAY - FOUNDATION PLAN



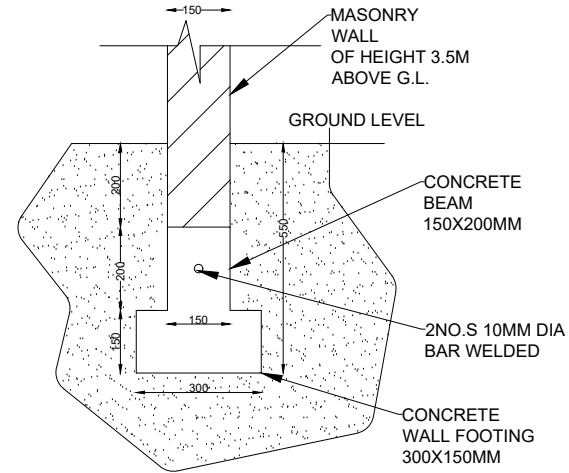


COLLECTION BAY - WALL

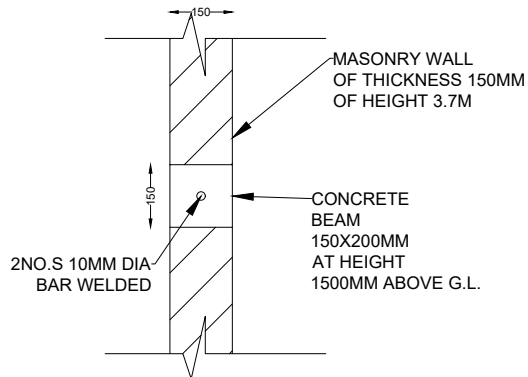




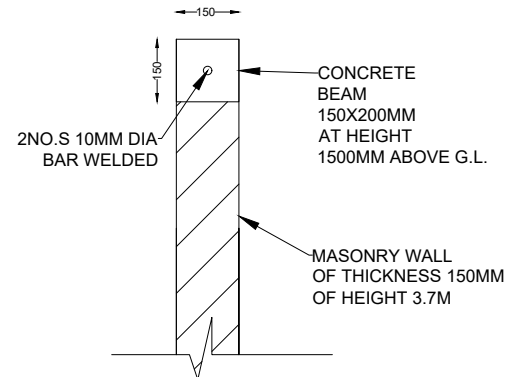
COLUMN DETAILS



BEAM AND WALL FOOTING DETAILS

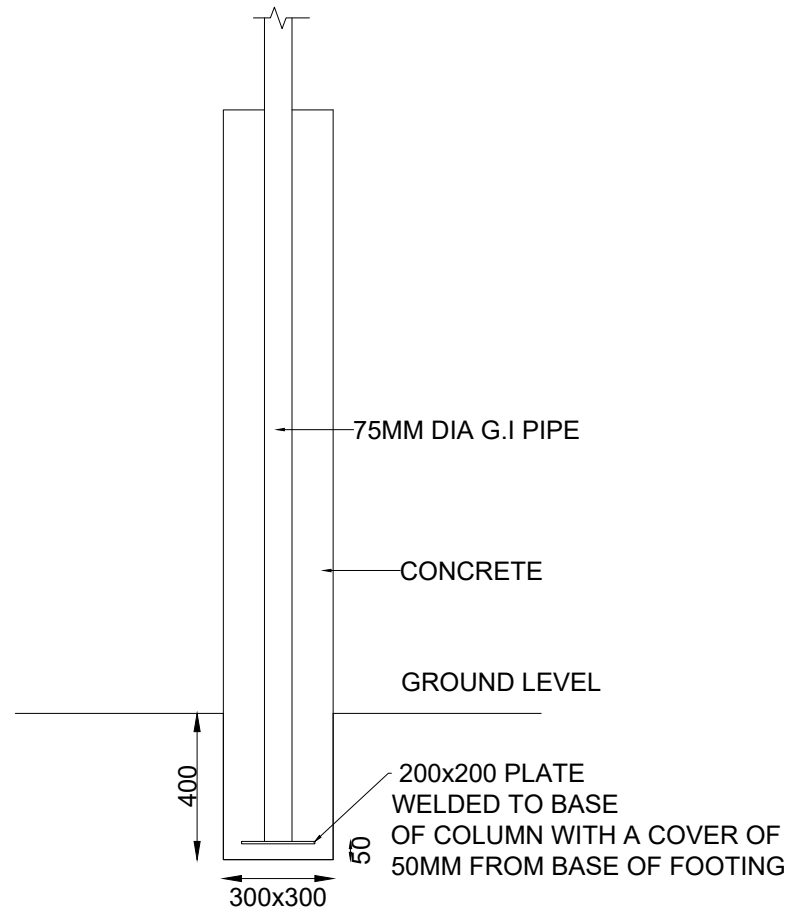


MIDDLE BEAM DETAILS



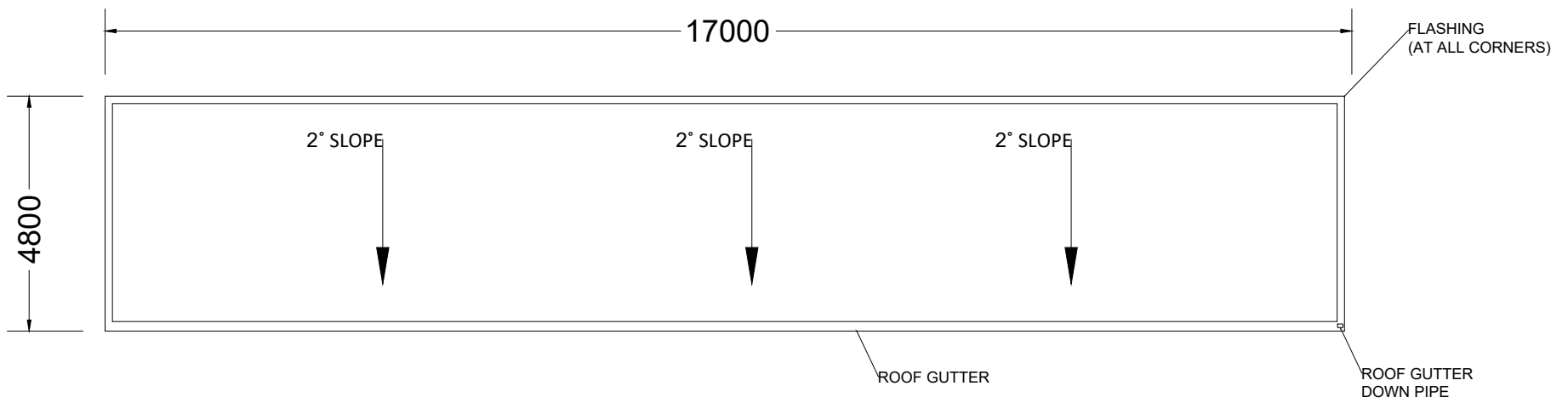
LINTEL DETAILS

COLLECTION BAY - WALL DETAILS



COLLECTION BAY
G.I. PIPE COLUMN FOUNDATION

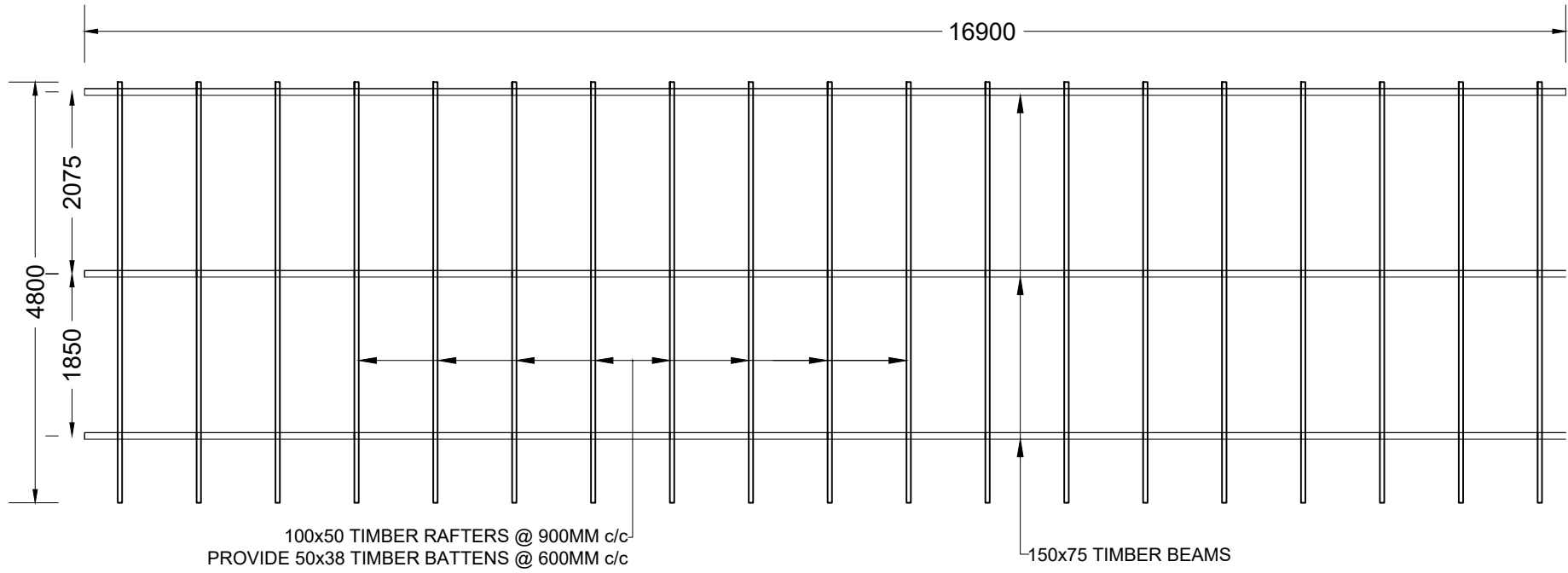
COLLECTION BAY - G.I PIPE COLUMN FOUNDATION DETAILS



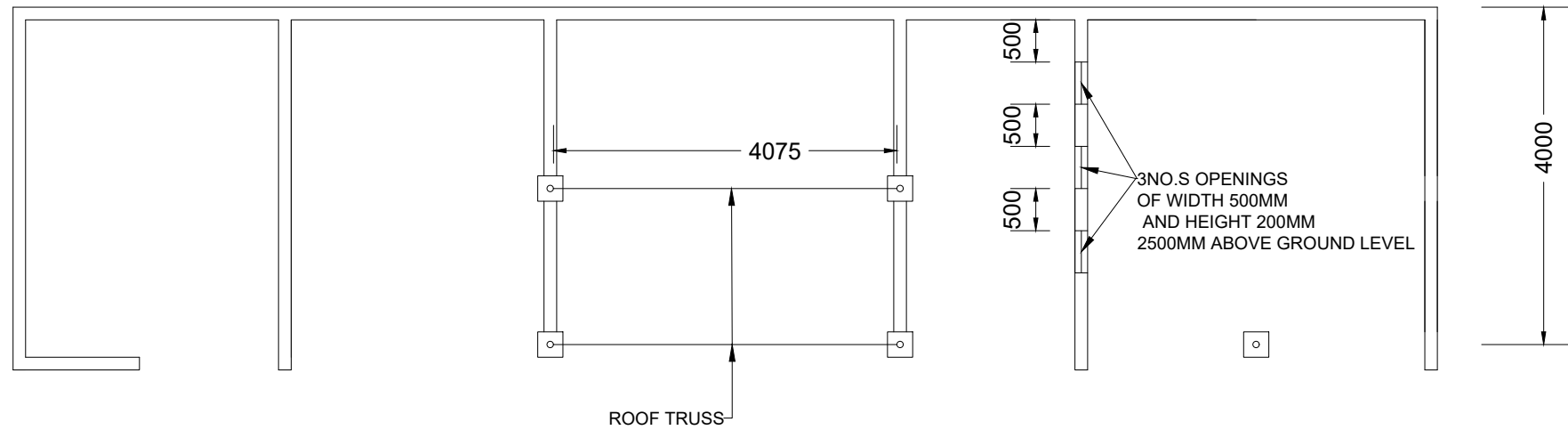
ROOF PLAN

COLLECTION BAY - ROOF PLAN

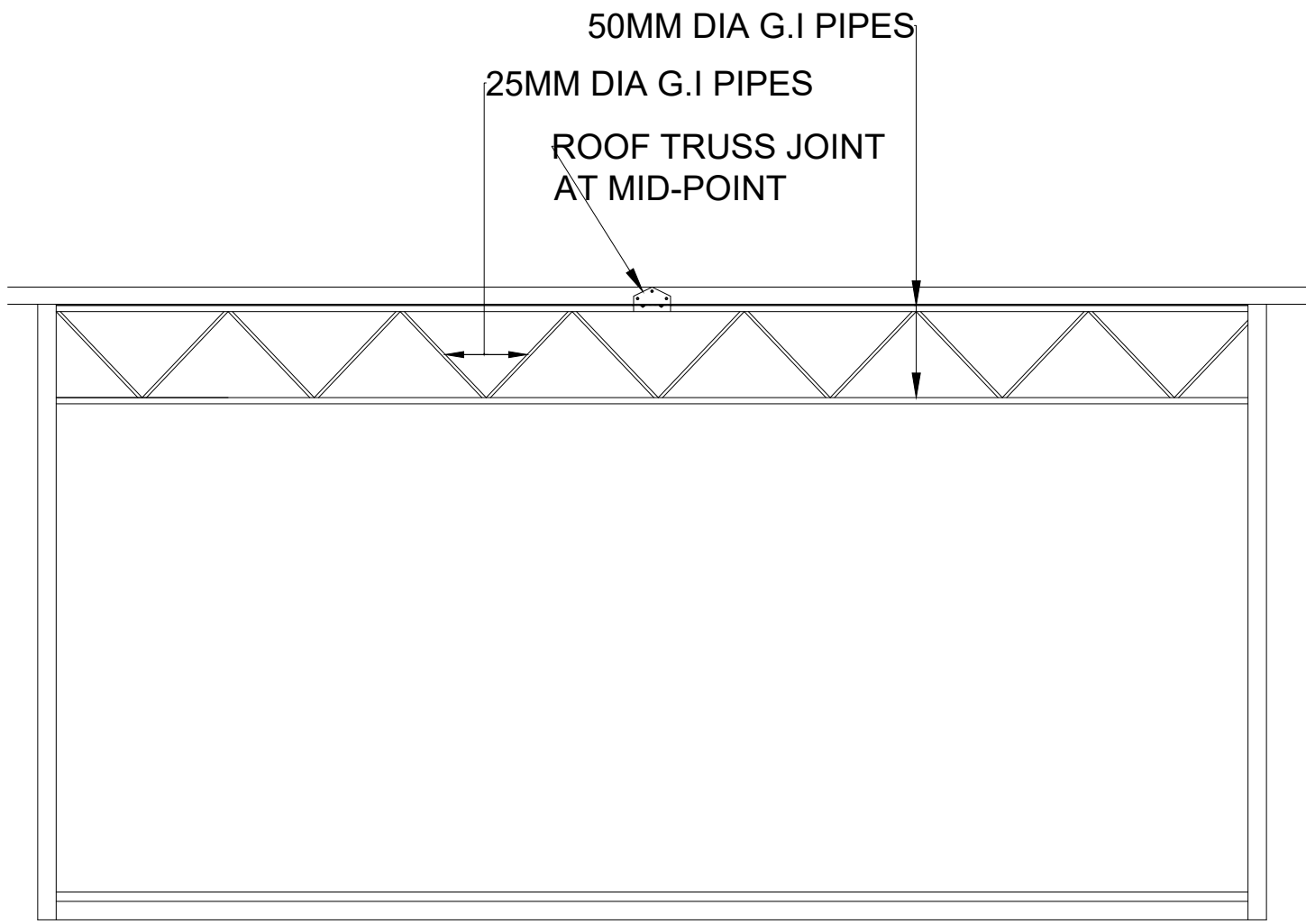




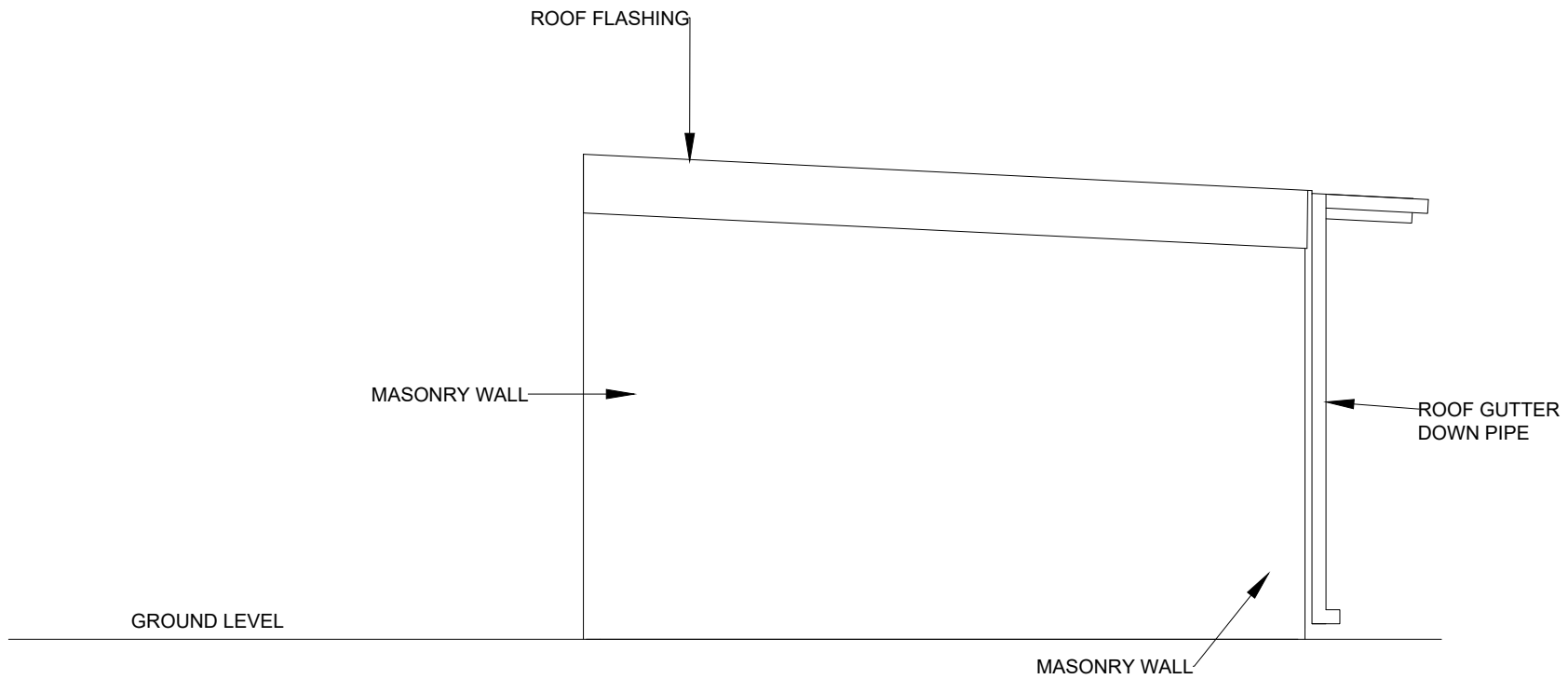
COLLECTION BAY - ROOF FRAMING PLANS



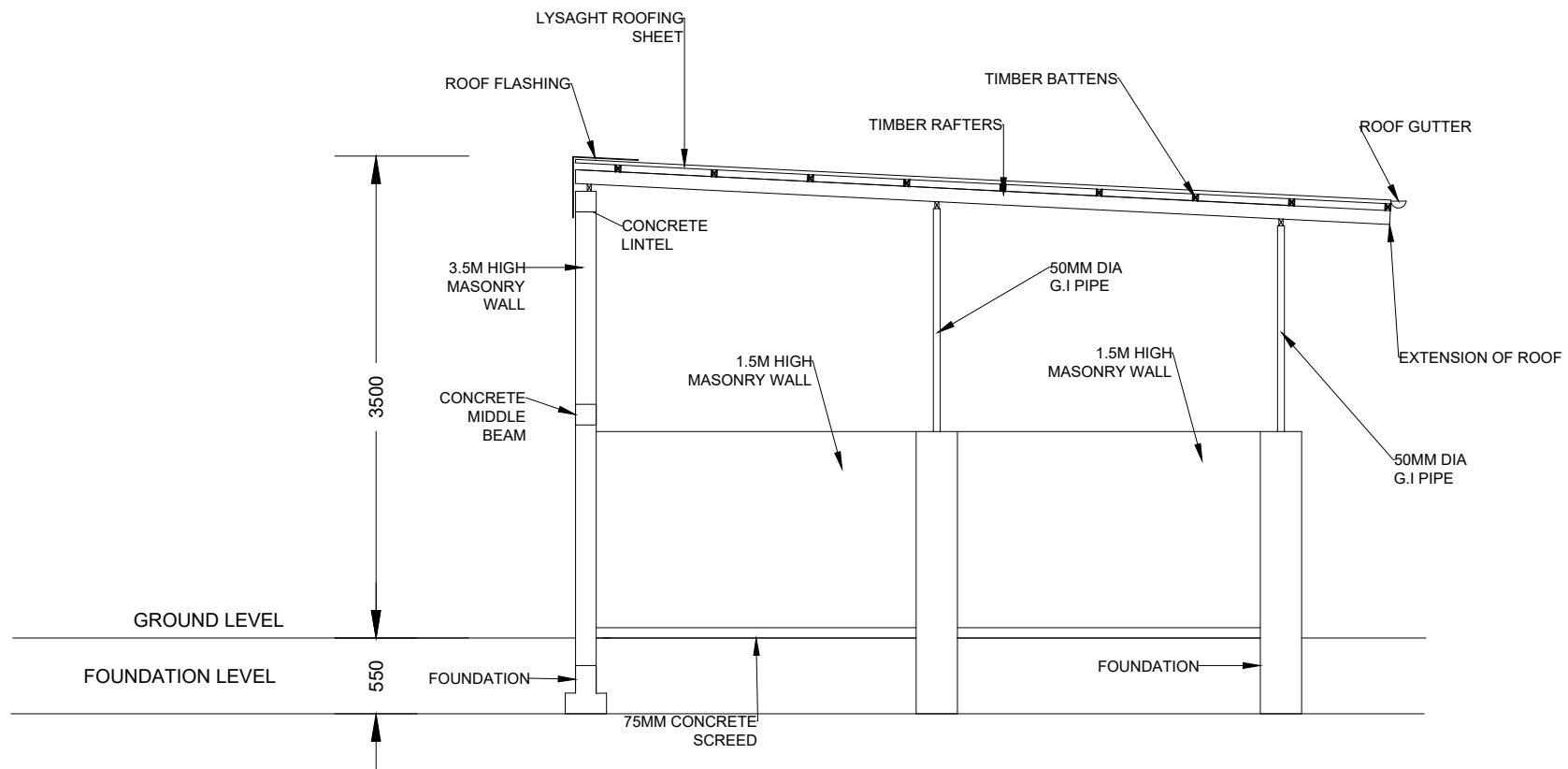
COLLECTION BAY - ROOF TRUSS PLAN



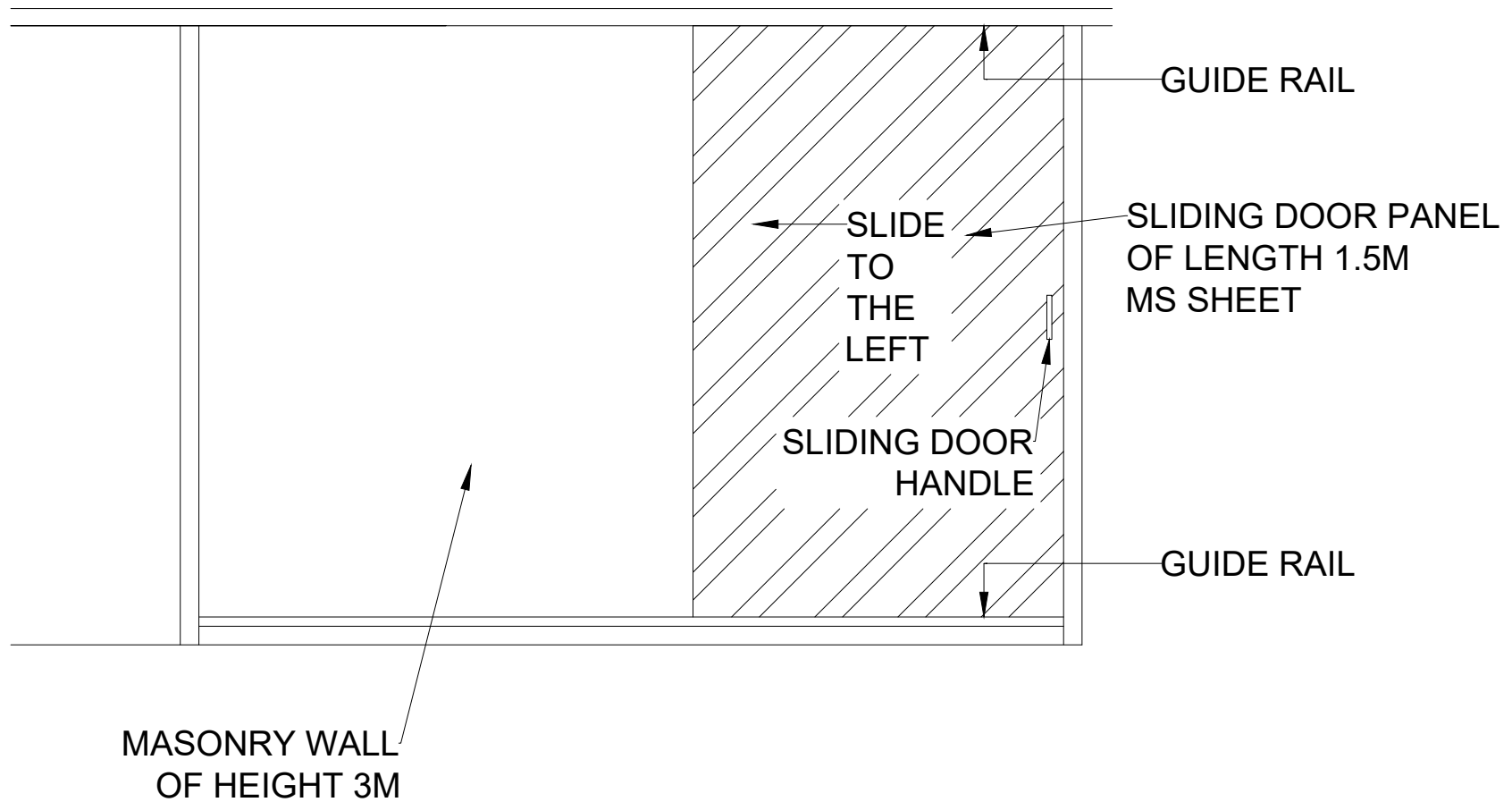
COLLECTION BAY - TRUSS DETAILS



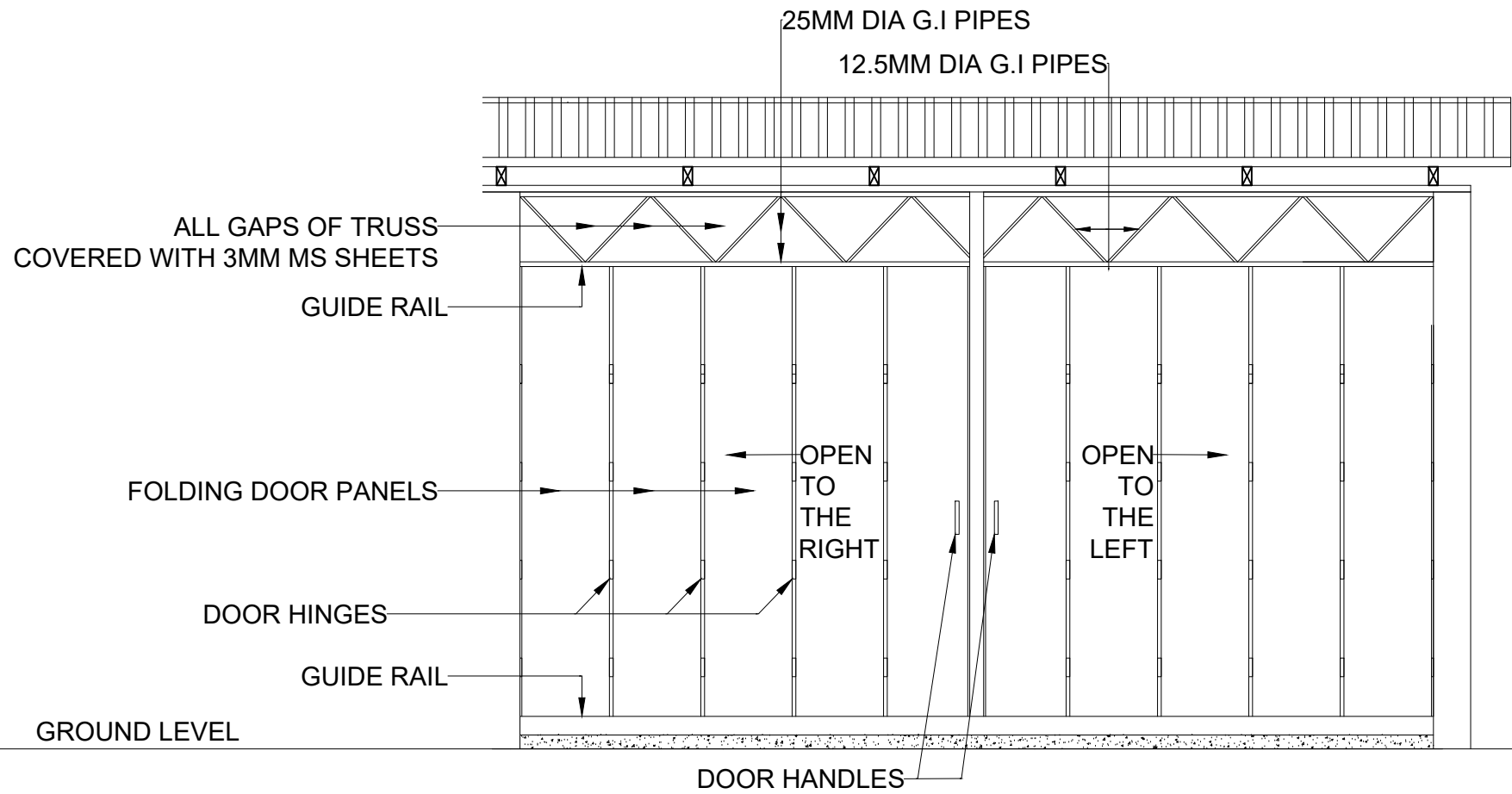
COLLECTION BAY - SIDE ELEVATION



COLLECTION BAY - CROSS SECTION



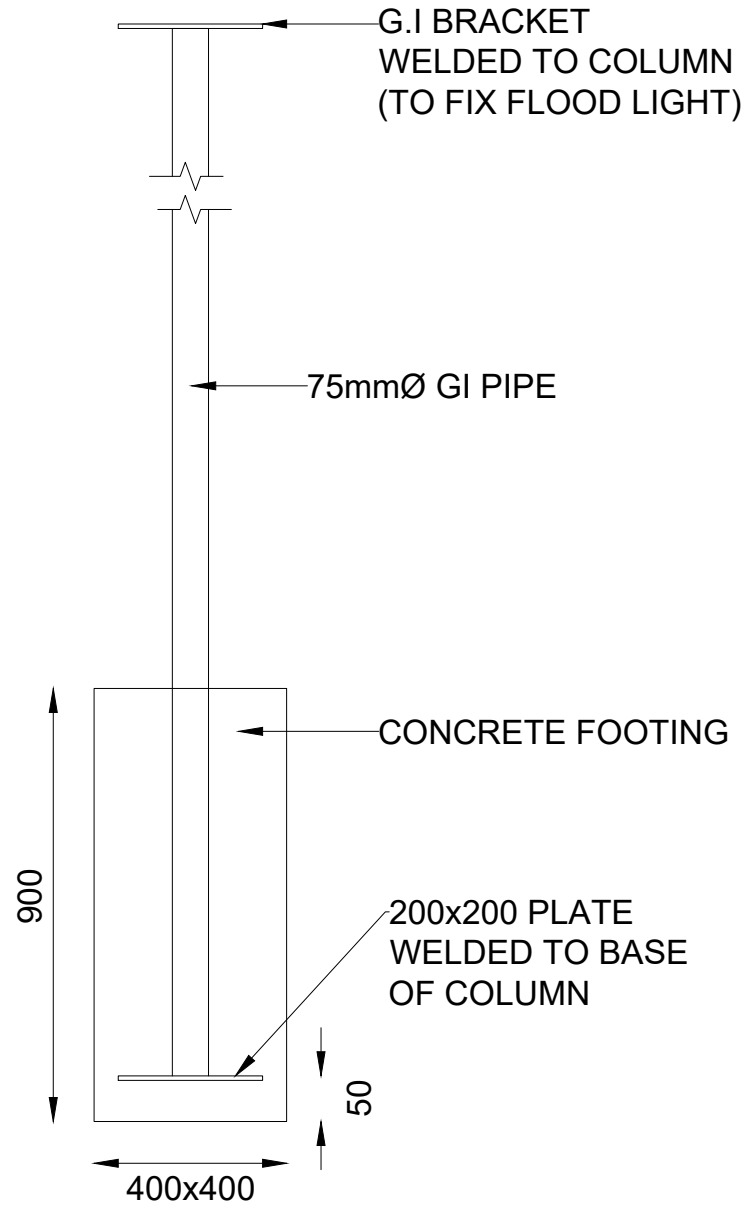
HAZARDOUS WASTE STORAGE ROOM - METAL SLIDING DOOR DETAIL



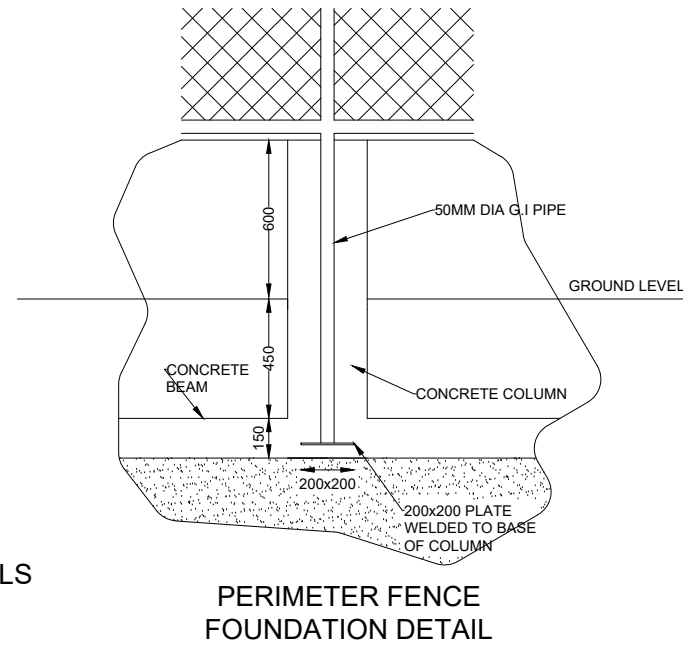
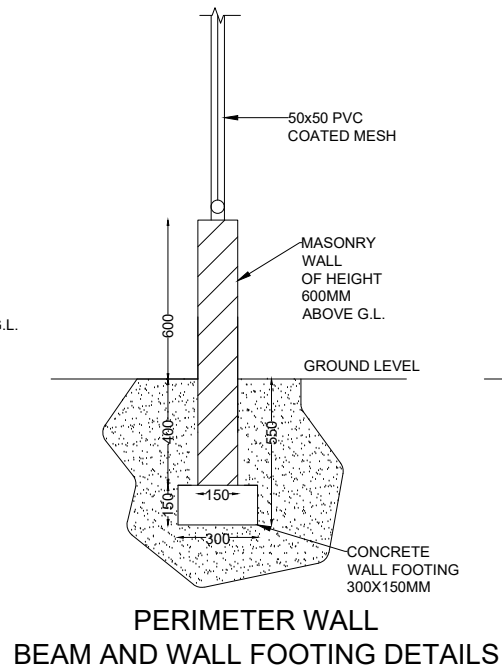
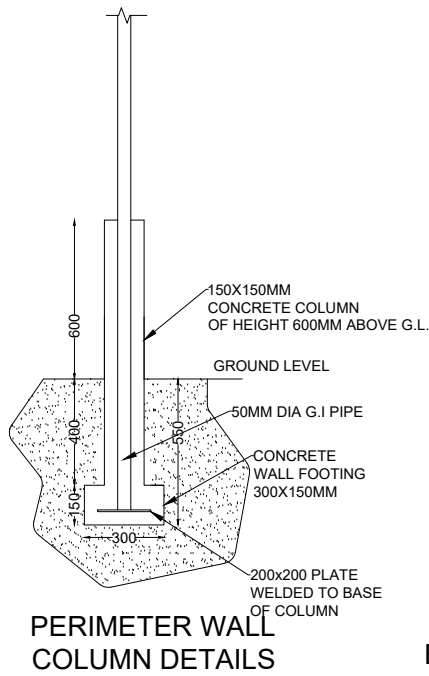
NOTE: ALL WELDS FOR TRUSS MEMBERS
ARE 5MM FILLET WELDS

EQUIPMENT ROOM - METAL SLIDING DOOR DETAIL

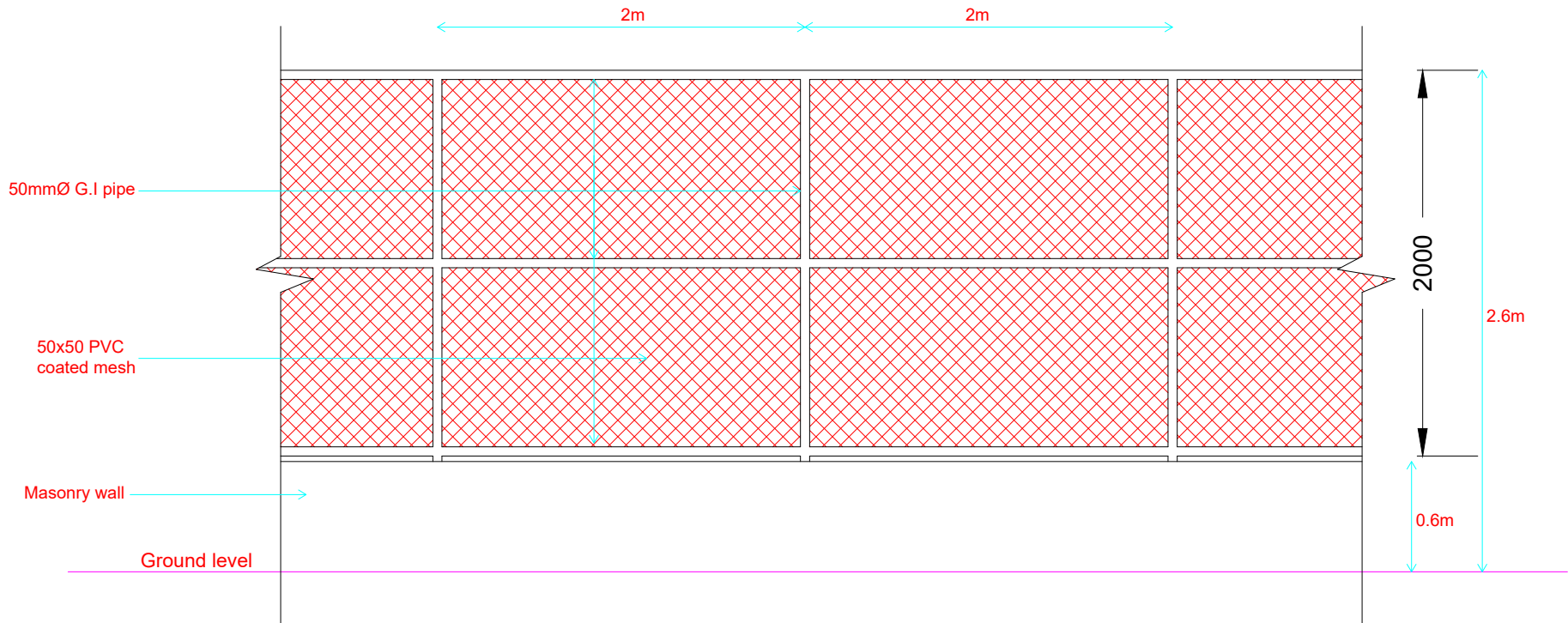




FLOOD LIGHT FOUNDATION DETAILS



BOUNDARY WALL - BEAM AND COLUMN DETAILS

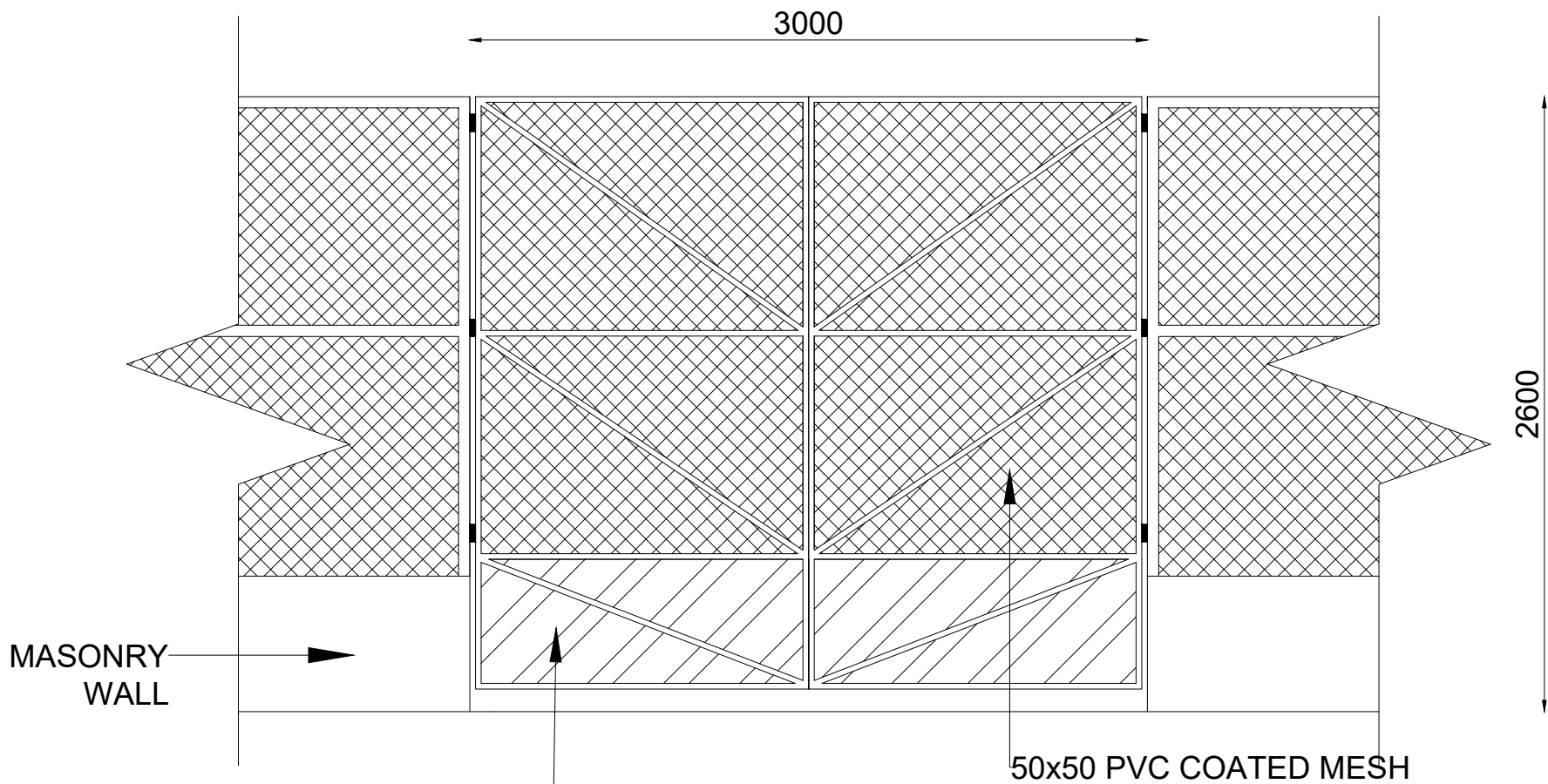


PERIMETER FENCE

NOTE: ALL WELDS
ARE 5mm FILLET
WELD AROUND
MEMBER

FENCE DETAILS

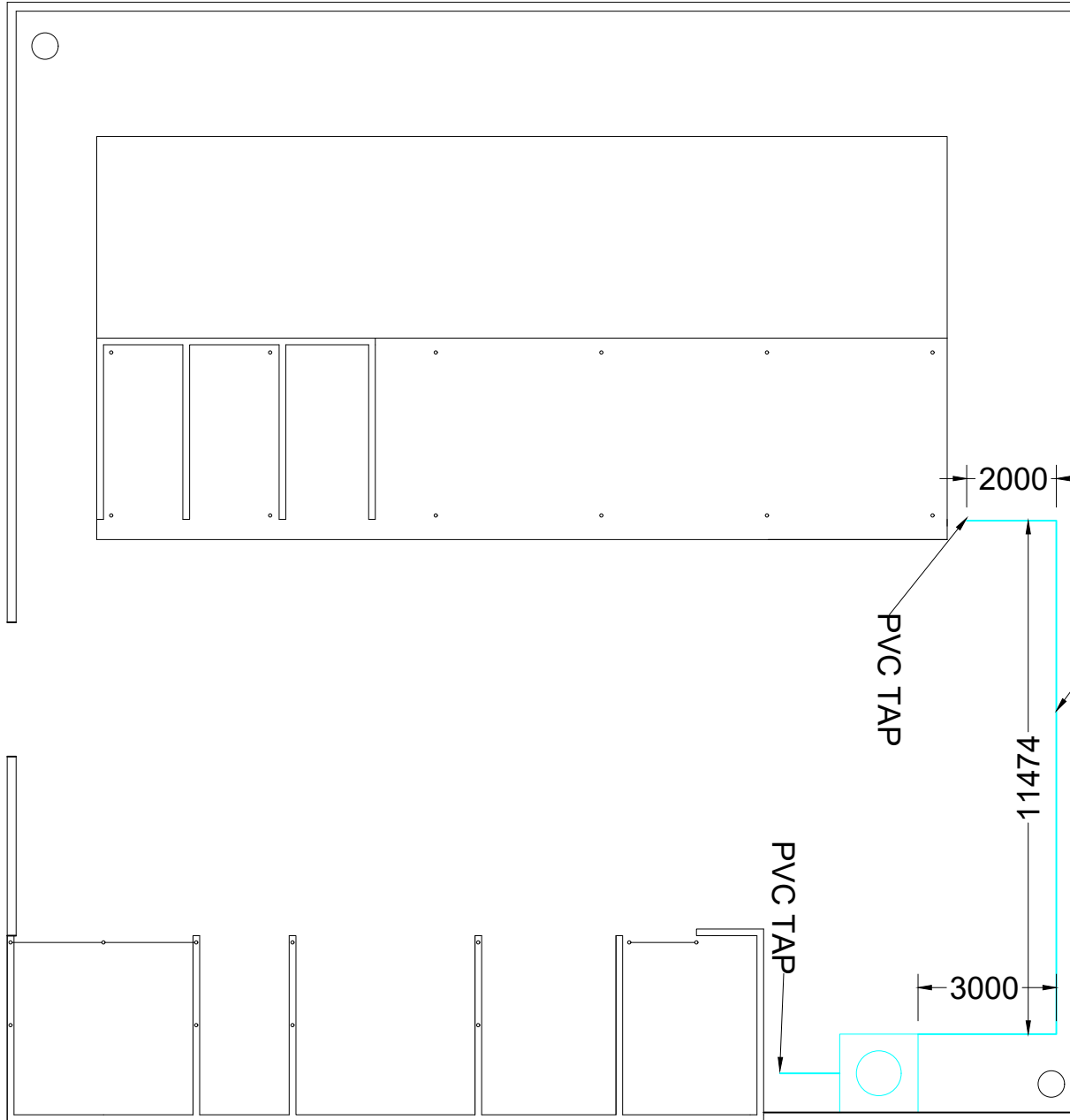




NOTE:
 - DOOR IS MADE FROM 25MM DIA GI PIPE
 - ALL WELDS ARE 5MM FILLET WELDS AROUND MEMBER

MAIN GATE





DISTRIBUTION PIPE

PVC TAP

PVC TAP

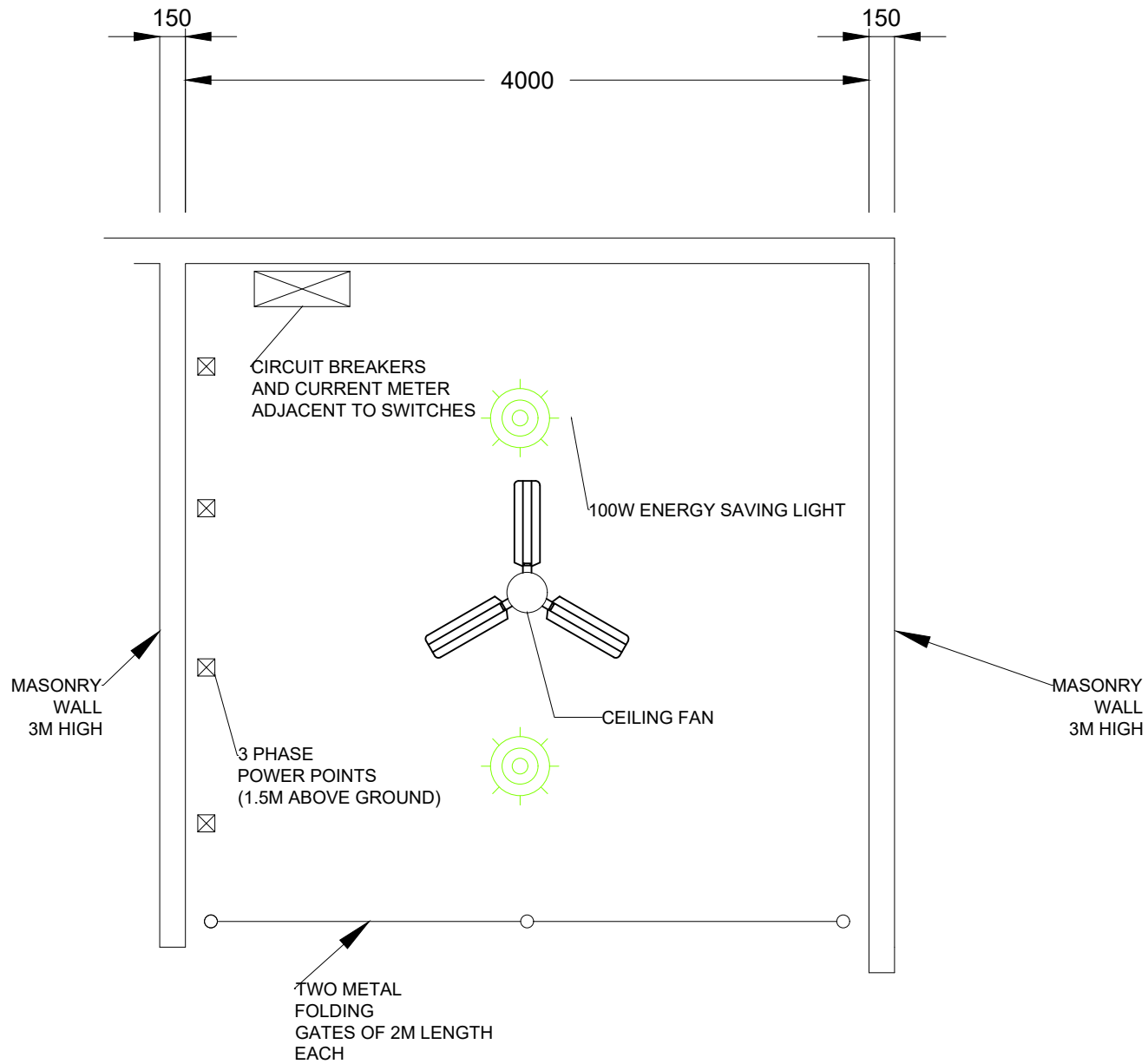
2000

11474

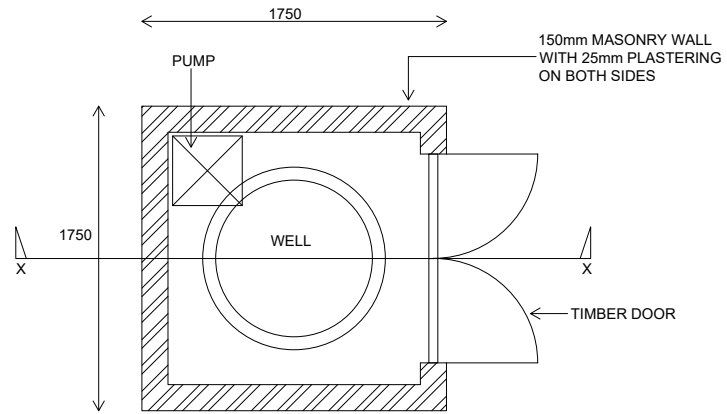
3000

PLUMBING LAYOUT

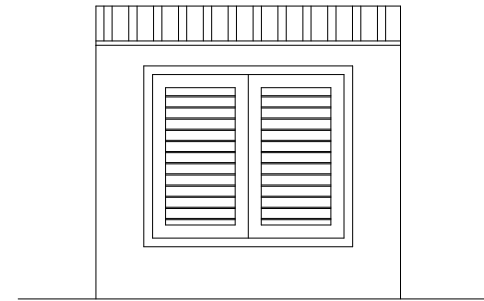




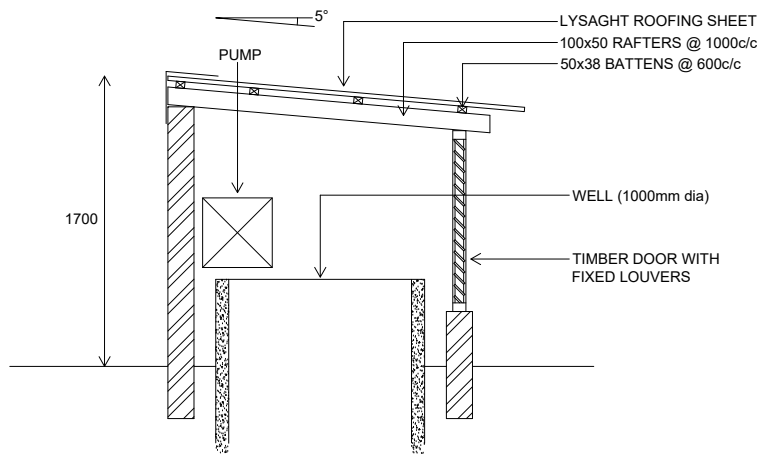
ELECTRICAL LAYOUT - EQUIPMENT ROOM



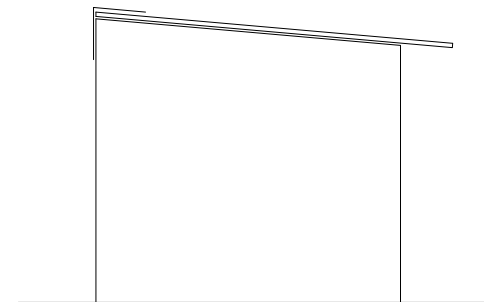
PUMP ROOM HUT



FRONT ELEVATION



SECTION X-X



SIDE ELEVATION

GROUND WATER PUMP ROOM HUT DETAILS

4 : 4 : 3 : 2 : 1

Working Site

The site should be kept clean during the construction work period and should be thoroughly cleaned once the works are completed. Works should be carried out on site in a safe manner to all the workers on site and the people living in the vicinity of site. Disturbance to the neighborhood should be kept to a minimum. Electricity and water supply to the site, during construction period, should be provided by the contractor

Concrete

Cement conforming to BS12 standards should be used for all concrete, masonry and plastering works. The cement intended for use should be fresh and should not have any traces of hardened cement in the bag.

1. All concrete works should be done using one brand of cement
2. Sand and aggregate used for concrete works should be well graded.
3. Concrete should be mixed in the ratio 1:2:3 which are 1 part cement, 2 parts sand and 3 parts aggregate.
4. All foundations should be cast on a lean concrete layer. The lean concrete should be placed on well compacted ground.
5. Concrete should be mixed using a concrete mixer. Concrete should not be mixed by hand. When pouring concrete into the formwork, the mix should be compacted using a mechanical vibrator.
6. Aggregate used for concrete works should not be larger than 20mm.
7. Sand and aggregate used for concrete works should be clear from dust, mud and other debris.
8. All reinforcement bars used for the concrete works should be free from rust and grease that could weaken the bonding between the reinforcement bar and the concrete. Care should be taken to use continuous bars rather than short segments joined by laps.

Masonry Works

1. All masonry work should be done using Cement confirming to BS12 standards.
2. Masonry blocks should be made from imported sand or local white sand sourced from a permitted sand borrow area. The sand should be free from organic matter and other debris.
3. Masonry blocks should be made from mortar mixed at 1:5 ratio with 1 part cement to 5 part sand.
4. Average size of sand particles should not exceed 5mm.

Plastering Works

1. All plastering work should be done using Cement confirming to BS12 standards.
2. Plaster mix should be made from imported or local sand white sand sourced from a permitted borrow area. The sand should be free from organic matter and other debris.
3. Plaster mix should be made by mixing Cement and Sand at a ratio of 1:3 with 1 part Cement to 3 part Sand.
4. Average size of sand particles should not exceed 5mm.

Structural Steel work

1. All steel pipes obtained for the work should be new pipes and free from rust.
2. Thickness of pipes should not be less than 2.5mm

Electrical works

1. All materials used for electrical wiring should comply with MEA standards.

Roofing works

1. All materials used for roofing work should be newly purchased for the project.
2. All screws or bolts used for roof fixing should be G.I or Zinc finish screws.

ޖަދުވަލު 5 : ސަރުކާރުގެ ސަރަޙައްދުގެ ސަރަޙައްދުގެ ސަރަޙައްދުގެ ސަރަޙައްދު

