

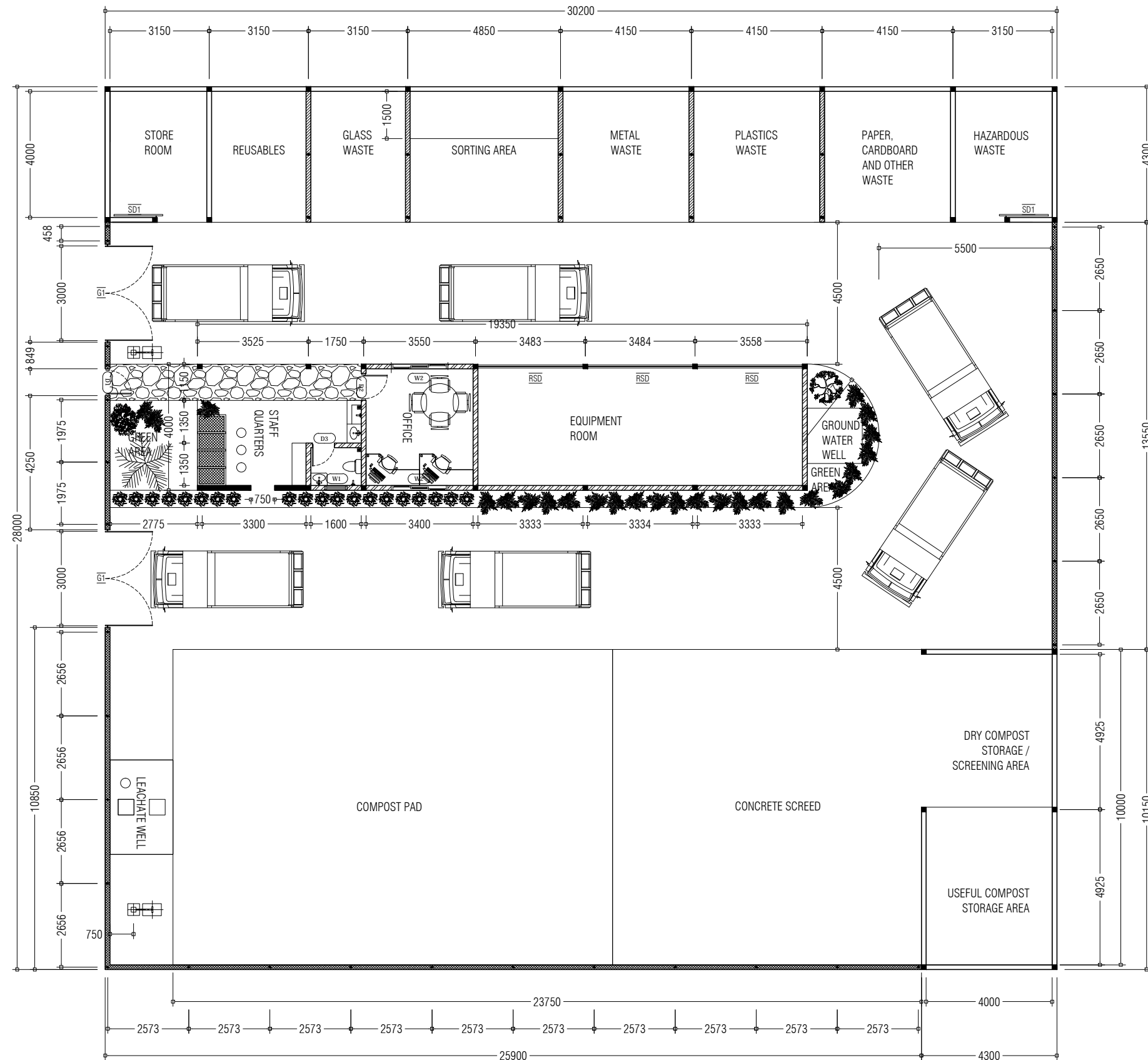
# CONSTRUCTION OF M.MULAH ISLAND WASTE MANAGEMENT CENTRE



PREPARED BY:  
MALDIVES CLEAN ENVIRONMENT PROJECT  
MINISTRY OF ENVIRONMENT AND ENERGY

---

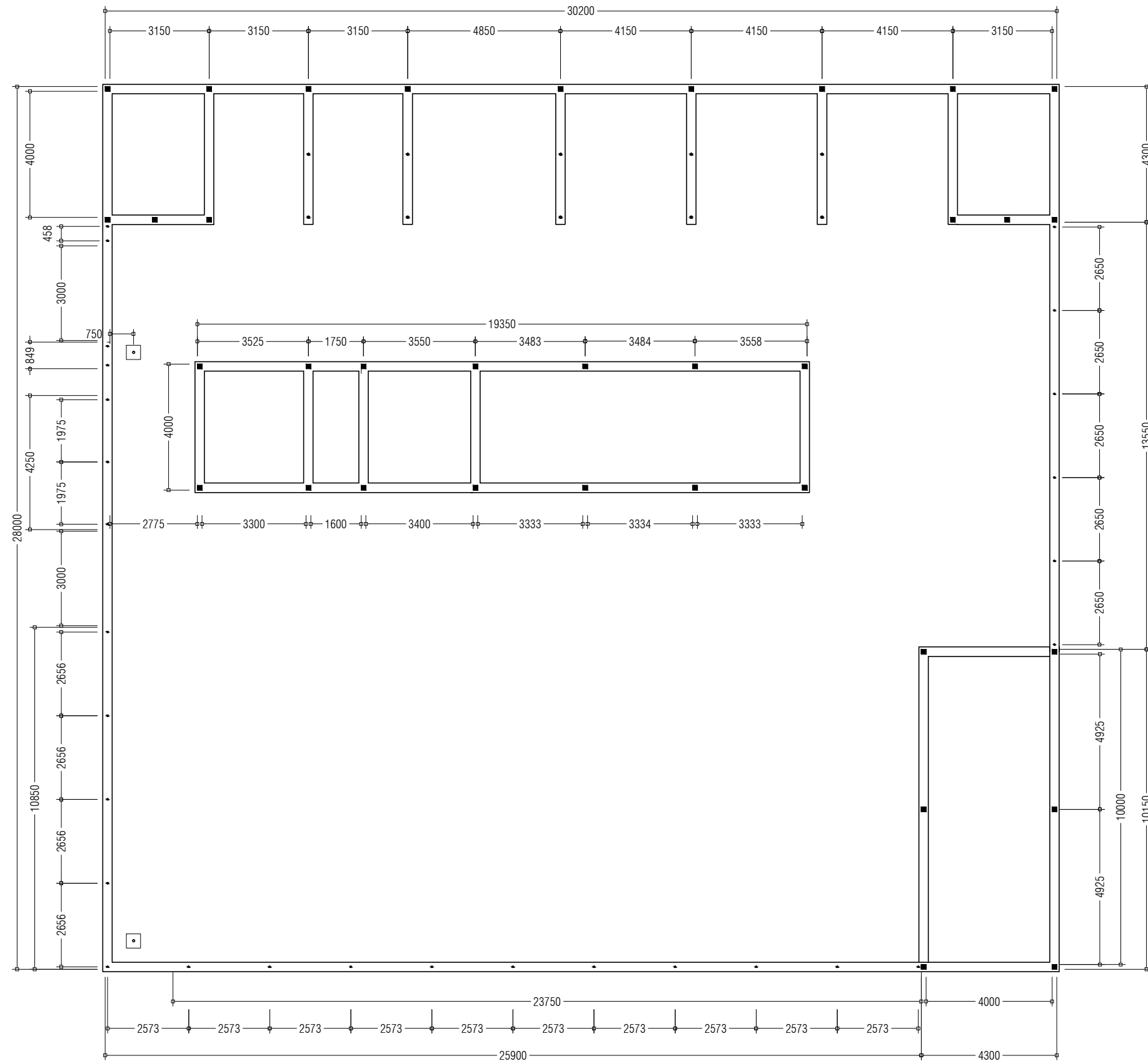
2018



- NOTE:
- 750mm HEIGHT WALL [150mm HOLLOW BOCK]
  - 1500mm HEIGHT WALL [150mm HOLLOW BOCK]
  - 3500mm HEIGHT WALL [150mm HOLLOW BOCK]
  - 4000mm HEIGHT WALL [150mm HOLLOW BOCK]
  - PERIMETER FENCE [150mm HOLLOW BOCK]

APPROVED BY	PROJECT	DESIGN BY	AMENDMENTS
	CONSTRUCTION OF WASTE MANAGEMENT CENTRE M. MULAH	AFRAZ	
	TITLE	STRUCTURE BY	
	FLOOR PLAN	AFRAZ	
	CLIENT DEPARTMENT	DRAWN BY	
	WMPC DEPARTMENT	AFRAZ	
	PAPER SIZE A3	SCALE 1:150	
	PAGE NO. 01	DWG NO. MULA-R3 A1-01	
		DATE 18.04.2018	

**MCEP**  
 MINISTRY OF ENVIROMENT AND ENERGY  
 GREEN BUILDING, HANDHUVAREE HIGUN,  
 MAAFANNU, MALE (20392), REPUBLIC OF MALDIVES,  
 TEL: +960-3018431, +960-3018300, FAX: +960-328301



APPROVED BY

PROJECT  
CONSTRUCTION OF WASTE MANAGEMENT CENTRE  
M. MULAH

DESIGN BY  
AFRAZ

AMENDMENTS

TITLE  
FOUNDATION BEAM PLAN

STRUCTURE BY  
AFRAZ

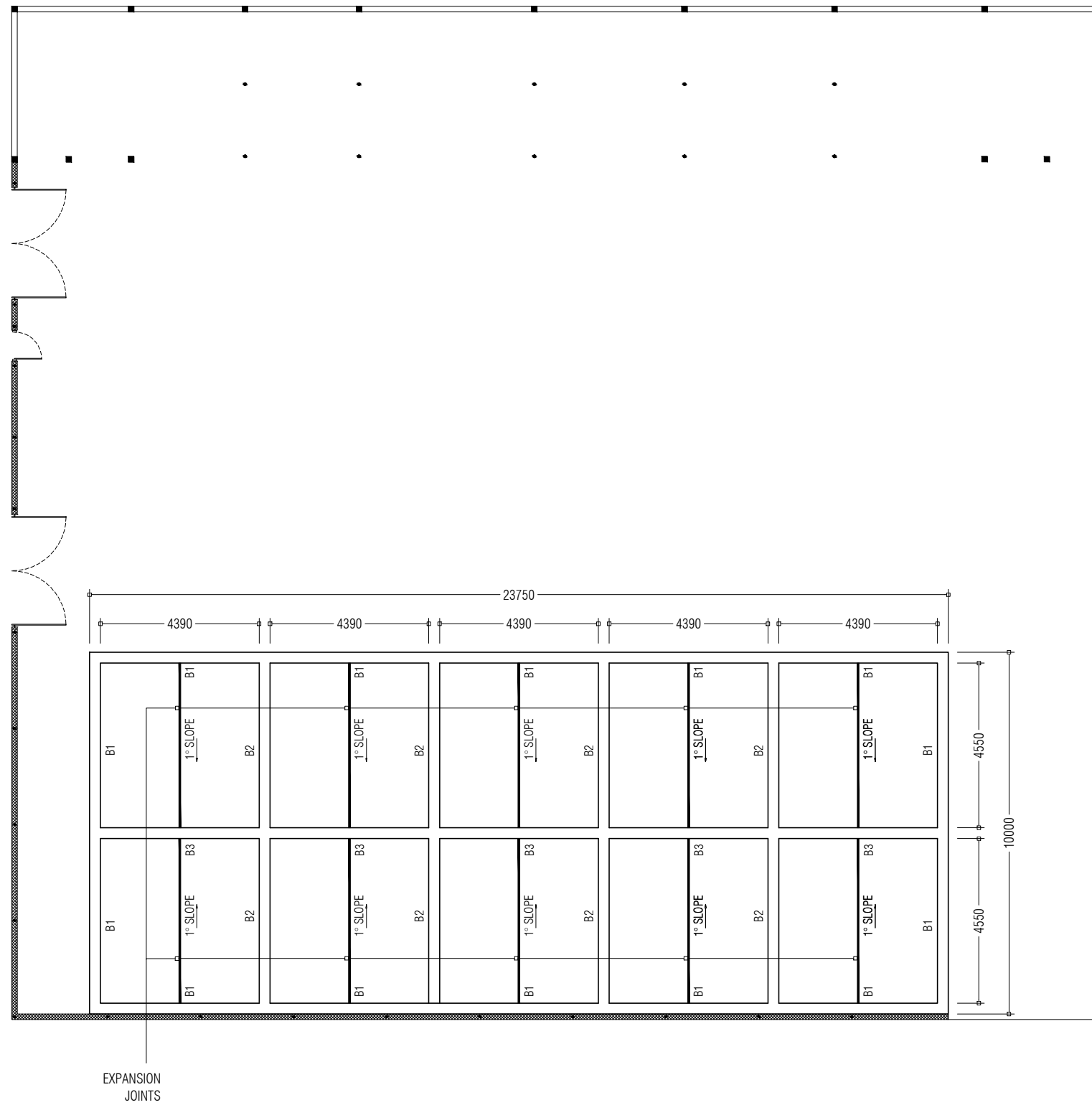
CLIENT DEPARTMENT  
WMPC DEPARTMENT

DRAWN BY  
AFRAZ

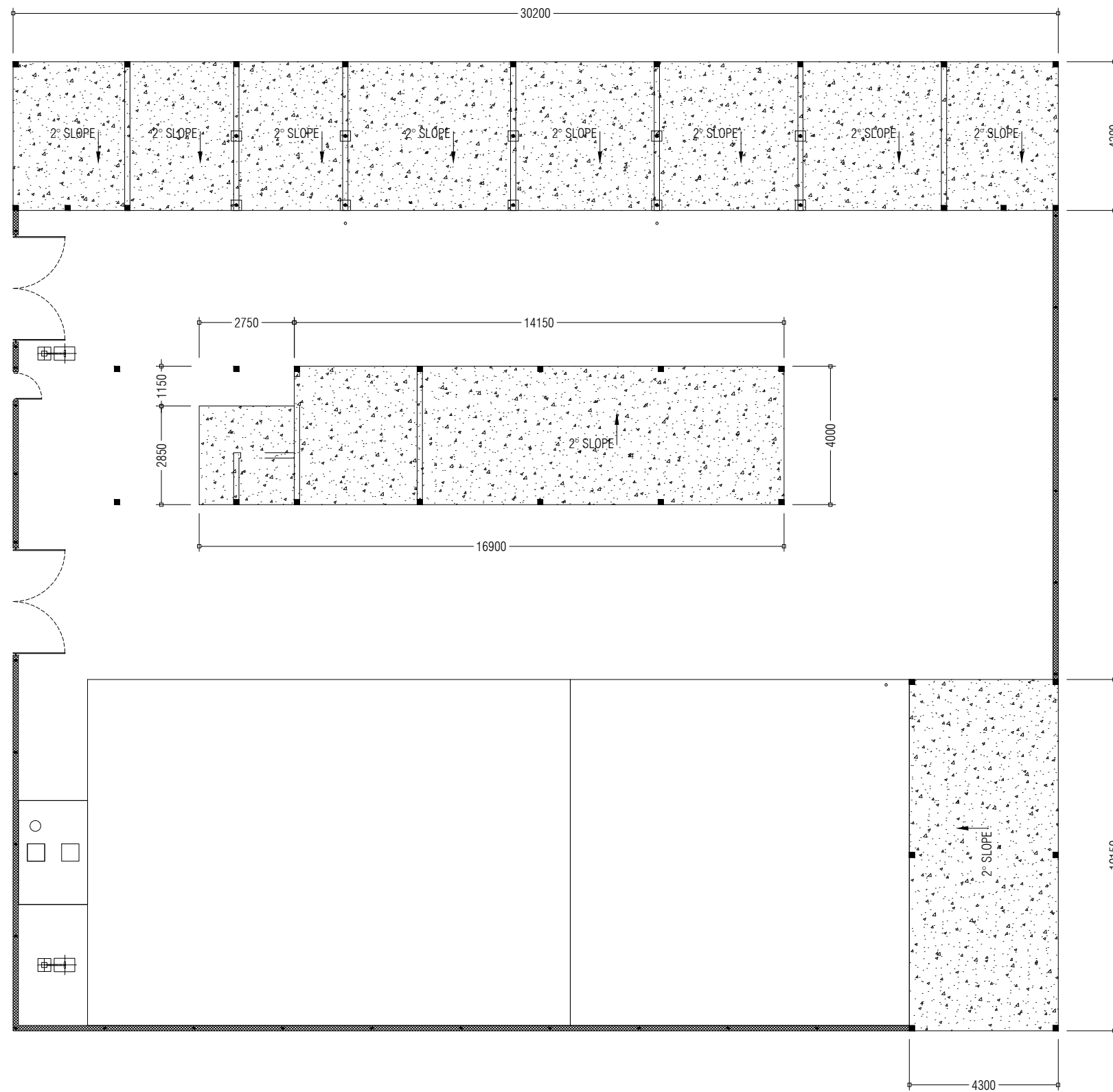
PAPER SIZE A3  
PAGE NO. 02

SCALE 1:150  
DWG NO. MULA-R3 A1-02  
DATE 18.04.2018





APPROVED BY	PROJECT	DESIGN BY	AMENDMENTS
	CONSTRUCTION OF WASTE MANAGEMENT CENTRE M. MULAH	AFRAZ	
	TITLE COMPOST PAD FOUNDATION BEAM PLAN	STRUCTURE BY AFRAZ	
	CLIENT DEPARTMENT WMPC DEPARTMENT	DRAWN BY AFRAZ	
	PAPER SIZE A3	SCALE 1:150	
	PAGE NO. 03	DWG NO. MULA-R3 A1-03	
		DATE 18.04.2018	



APPROVED BY

PROJECT  
CONSTRUCTION OF WASTE MANAGEMENT CENTRE  
M. MULAH

DESIGN BY  
AFRAZ

AMENDMENTS

TITLE  
FLOOR SCREED PLAN  
CLIENT DEPARTMENT  
WMPC DEPARTMENT

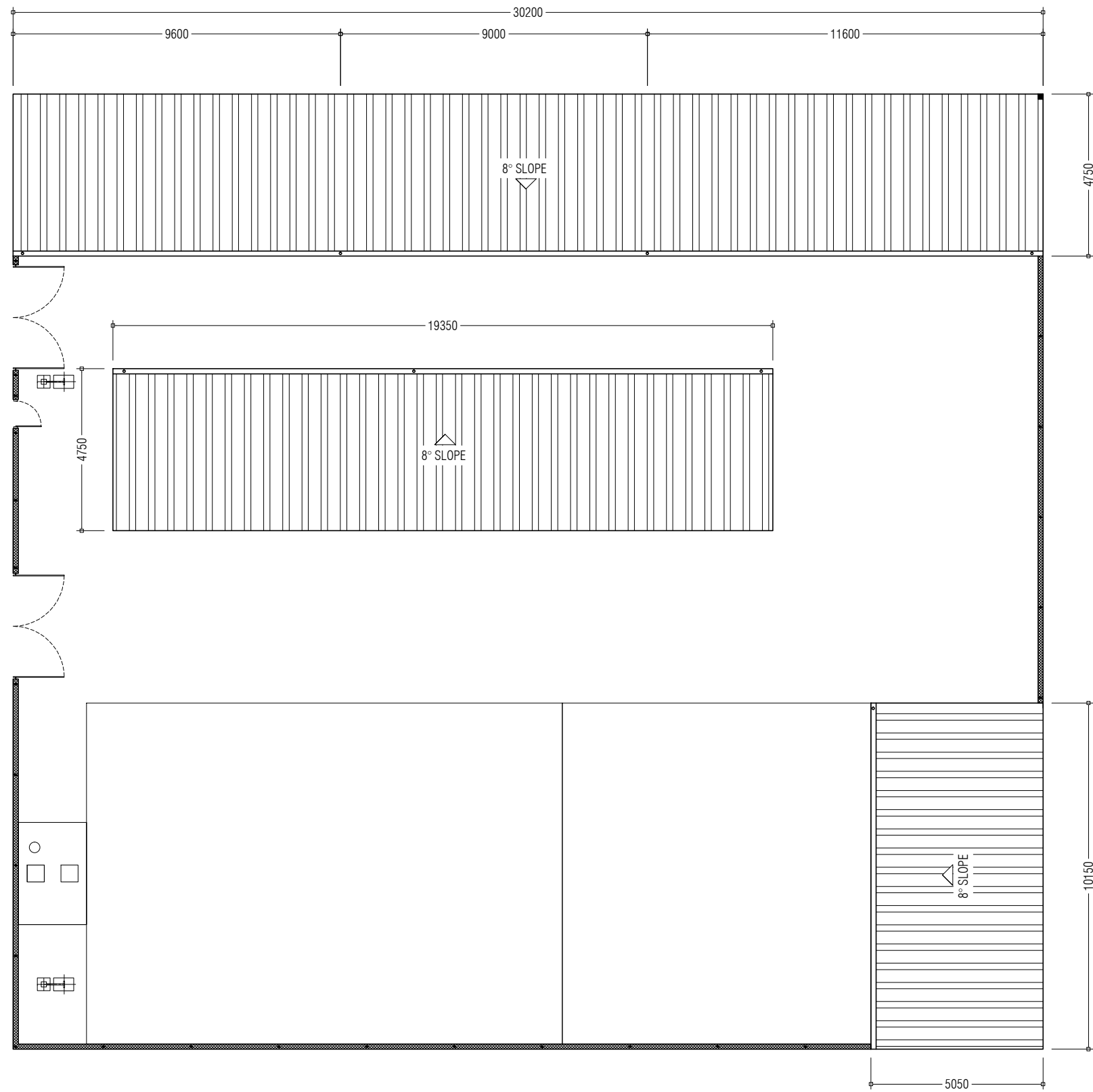
STRUCTURE BY  
AFRAZ  
DRAWN BY  
AFRAZ

PAPER SIZE A3  
PAGE NO. 04

SCALE 1:150  
DWG NO. MULA-R3 A1-04  
DATE 18.04.2018



MCEP  
MINISTRY OF ENVIROMENT AND ENERGY  
GREEN BUILDING, HANDHUVAREE HIGUN,  
MAAFANNU, MALE (20392), REPUBLIC OF MALDIVES,  
TEL: +960-3018431, +960-3018300, FAX: +960-328301



APPROVED BY

PROJECT

DESIGN BY

AMENDMENTS

CONSTRUCTION OF WASTE MANAGEMENT CENTRE  
M. MULAH

AFRAZ

TITLE  
ROOF PLAN

STRUCTURE BY  
AFRAZ

CLIENT DEPARTMENT  
WMPC DEPARTMENT

DRAWN BY  
AFRAZ

PAPER SIZE A3

SCALE 1:150

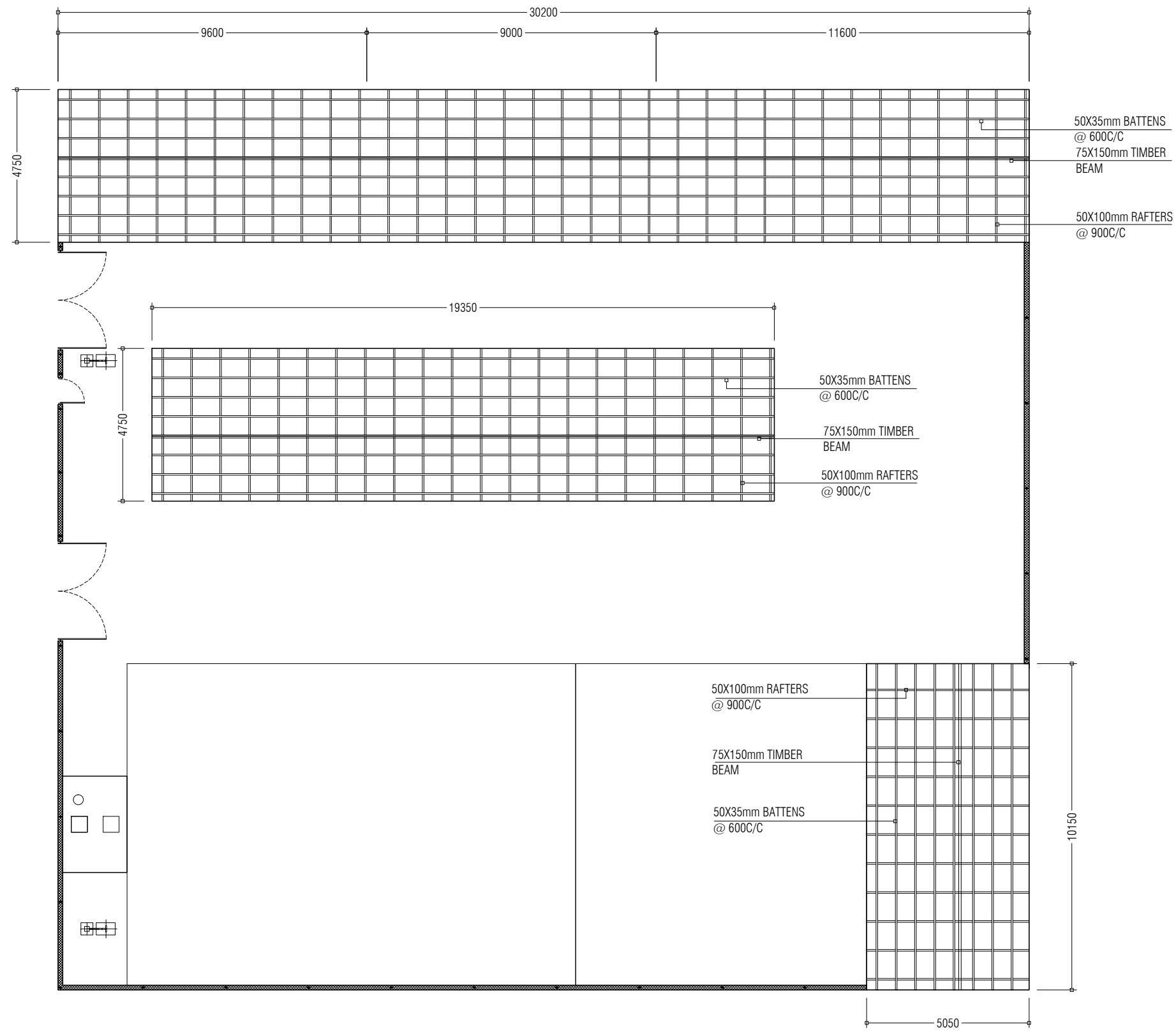
PAGE NO. 05

DWG NO. MULA-R3 A1-05

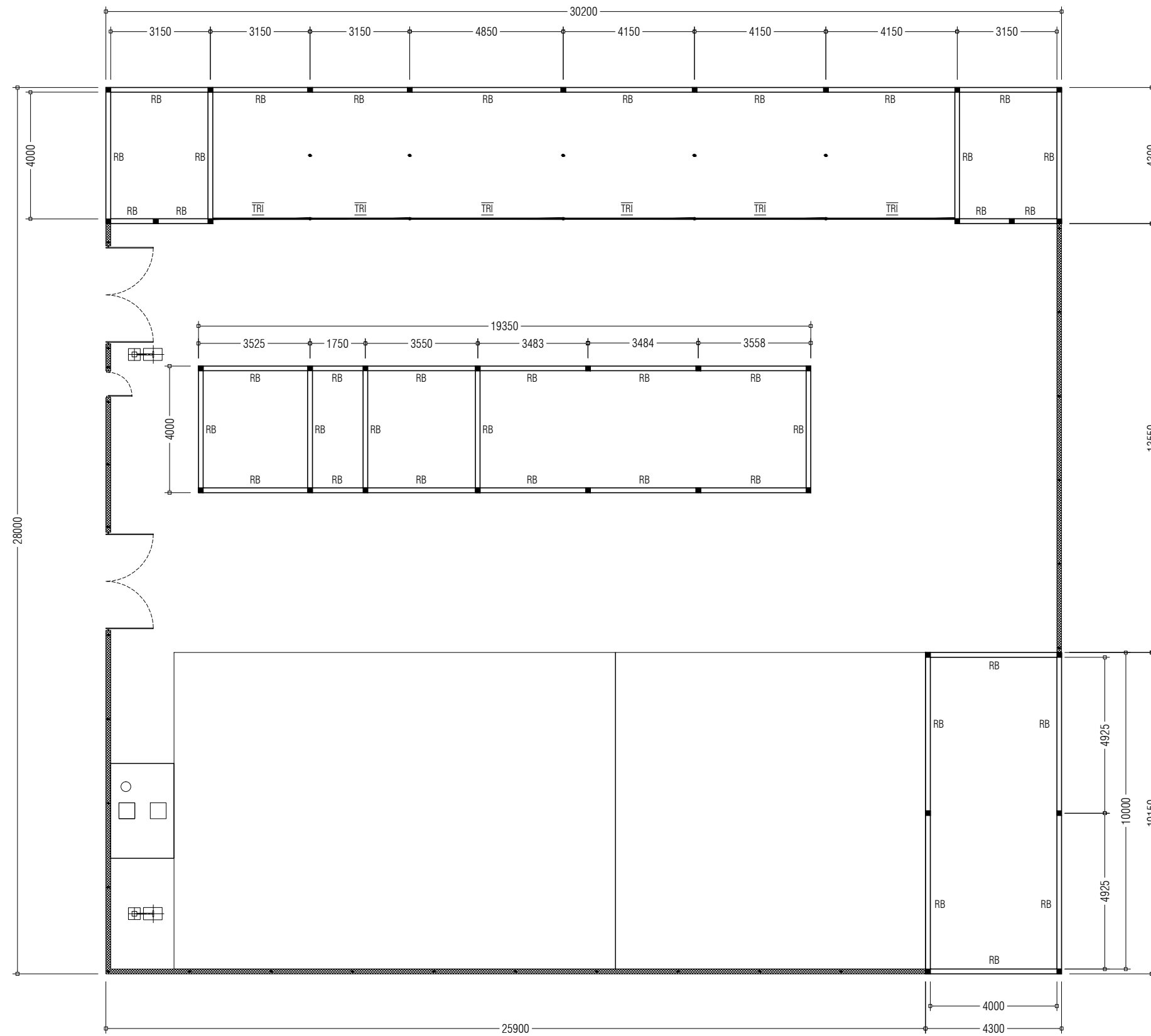
DATE 18.04.2018



MCEP  
MINISTRY OF ENVIROMENT AND ENERGY  
GREEN BUILDING, HANDHUVAREE HIGUN,  
MAAFANNU, MALE' (20392), REPUBLIC OF MALDIVES.  
TEL: +960-3018431, +960-3018300, FAX: +960-328301



APPROVED BY	PROJECT	DESIGN BY	AMENDMENTS
	CONSTRUCTION OF WASTE MANAGEMENT CENTRE M. MULAH	AFRAZ	
	TITLE	STRUCTURE BY	
	ROOF FRAMING	AFRAZ	
	CLIENT DEPARTMENT	DRAWN BY	
	WMPC DEPARTMENT	AFRAZ	
	PAPER SIZE A3	SCALE 1:150	
	PAGE NO. 06	DWG NO. MULA-R3 A1-06	
		DATE 18.04.2018	



APPROVED BY

PROJECT  
CONSTRUCTION OF WASTE MANAGEMENT CENTRE  
M. MULAH

DESIGN BY  
AFRAZ

AMENDMENTS

TITLE  
ROOF BEAM PLAN  
CLIENT DEPARTMENT  
WMPC DEPARTMENT

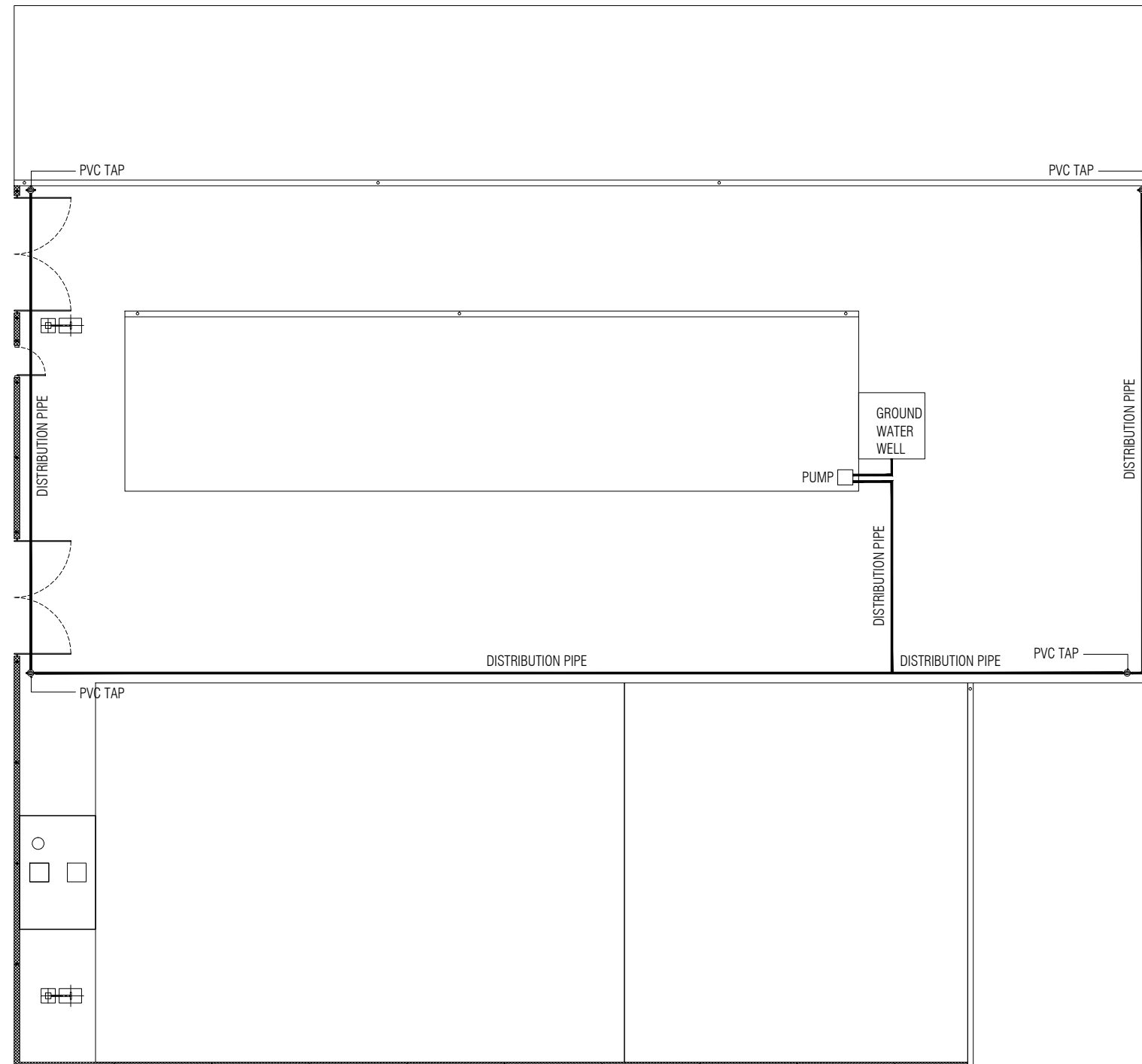
STRUCTURE BY  
AFRAZ  
DRAWN BY  
AFRAZ

PAPER SIZE A3  
PAGE NO. 07

SCALE 1:150  
DWG NO. MULA-R3 A1-07  
DATE 18.04.2018







APPROVED BY

PROJECT  
CONSTRUCTION OF WASTE MANAGEMENT CENTRE  
M. MULAH

DESIGN BY  
AFRAZ

AMENDMENTS

TITLE  
ROOF BEAM PLAN

STRUCTURE BY  
AFRAZ

CLIENT DEPARTMENT  
WMPC DEPARTMENT

DRAWN BY  
AFRAZ

PAPER SIZE A3

SCALE 1:150

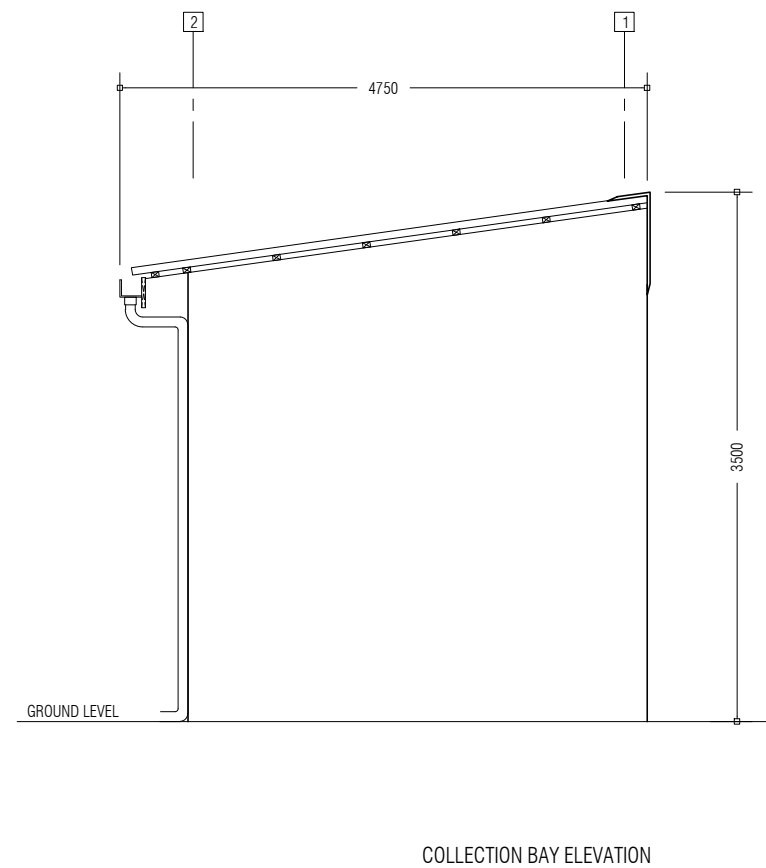
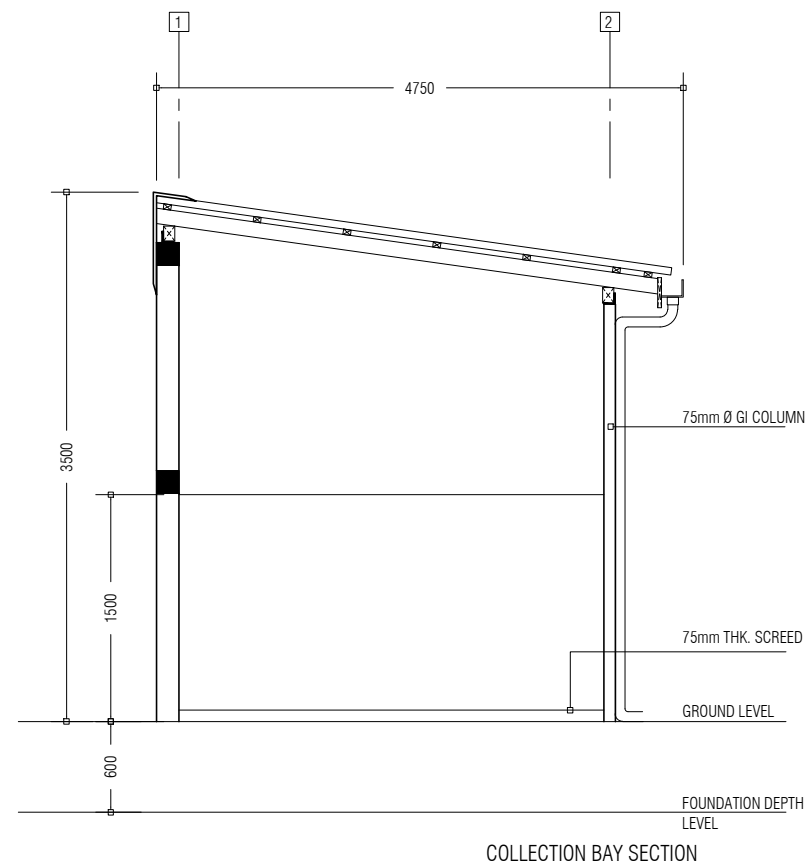
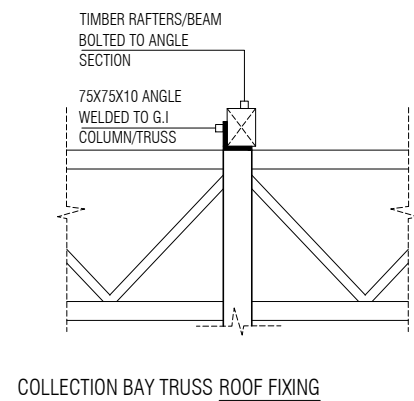
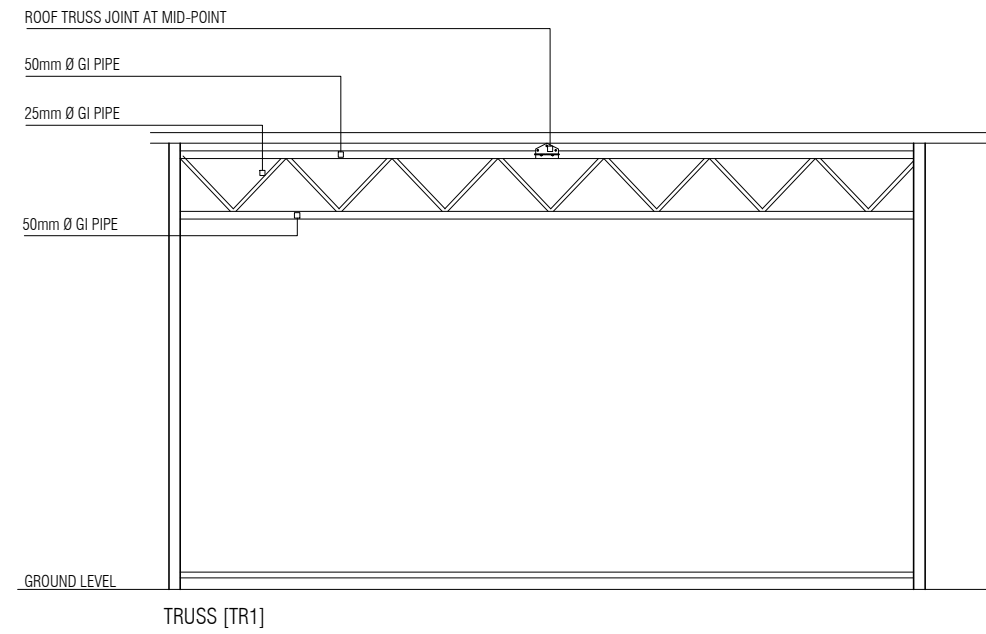
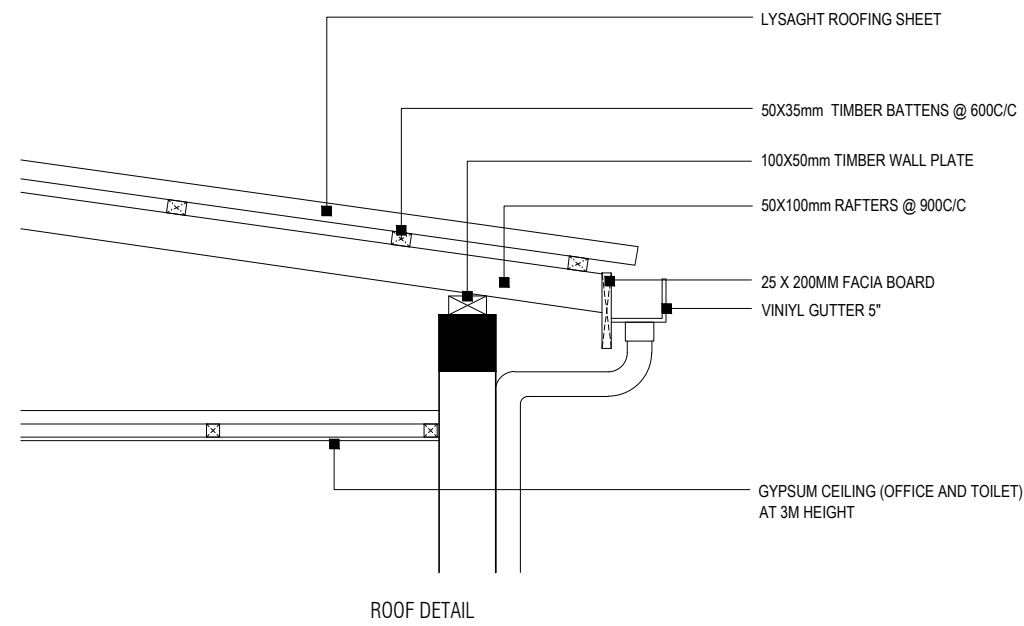
PAGE NO. 08

DWG NO. MULA-R3 A1-08

DATE 18.04.2018



MCEP  
MINISTRY OF ENVIROMENT AND ENERGY  
GREEN BUILDING, HANDHUVAREE HIGUN,  
MAAFANNU, MALÉ (20392), REPUBLIC OF MALDIVES.  
TEL: +960-3018431, +960-3018300, FAX: +960-328301



APPROVED BY



MCEP  
MINISTRY OF ENVIROMENT AND ENERGY  
GREEN BUILDING, HANDHUVAREE HIGUN,  
MAAFANNU, MALE' (20392), REPUBLIC OF MALDIVES.  
TEL: +960-3018431, +960-3018300, FAX: +960-328301

PROJECT  
CONSTRUCTION OF WASTE MANAGEMENT CENTRE  
M. MULAH

TITLE  
ELEVATIONS AND SECTIONS

CLIENT DEPARTMENT  
WMPC DEPARTMENT

PAPER SIZE A3  
PAGE NO. 09

DESIGN BY  
AFRAZ

STRUCTURE BY  
AFRAZ

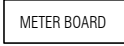
DRAWN BY  
AFRAZ

SCALE 1:150  
DWG NO. MULA-R3 A1-09  
DATE 18.04.2018

AMENDMENTS

LEGEND

METER BOARD



DISTRIBUTION BOARDS



20W LED LIGHT (DAY LIGHT)



18W CEILING MOUNT LIGHT (WARM WHITE)



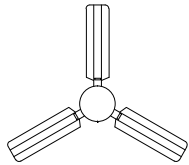
13AMP DOUBLE SOCKET



3 PHASE, 15A POWER POINTS [1.5m ABOVE GROUND]



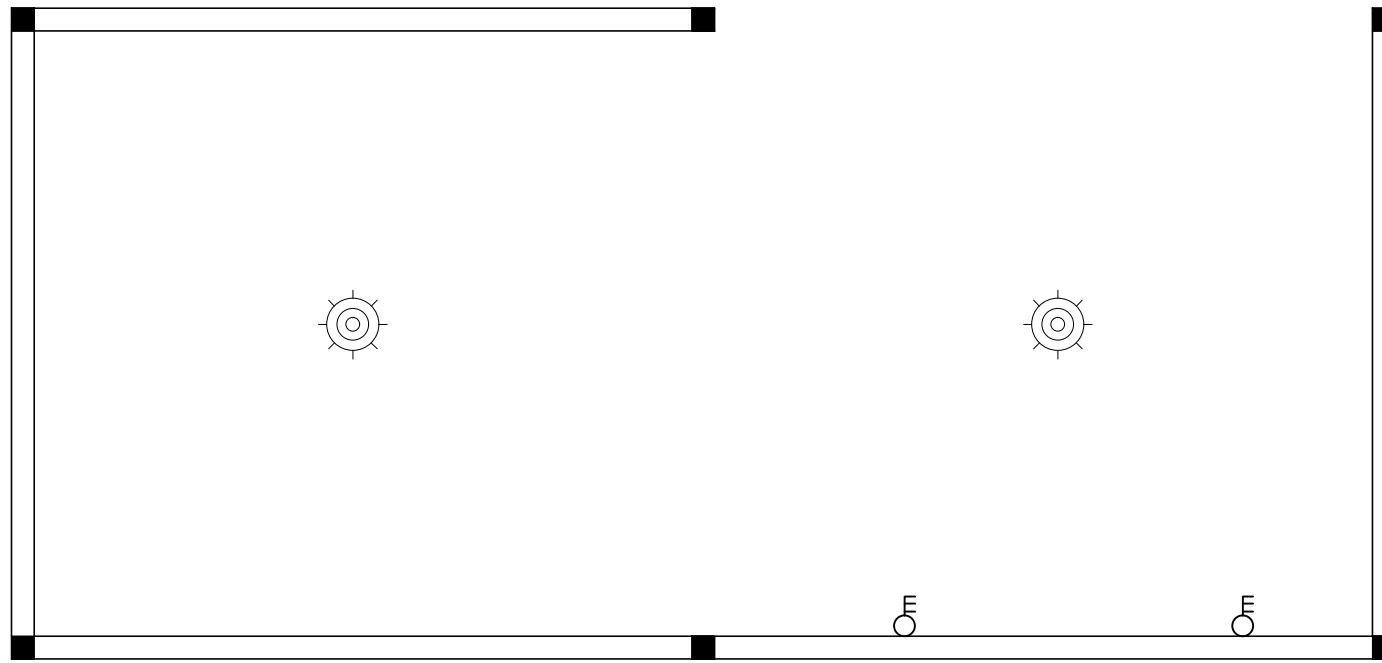
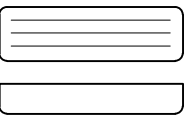
CEILING FAN



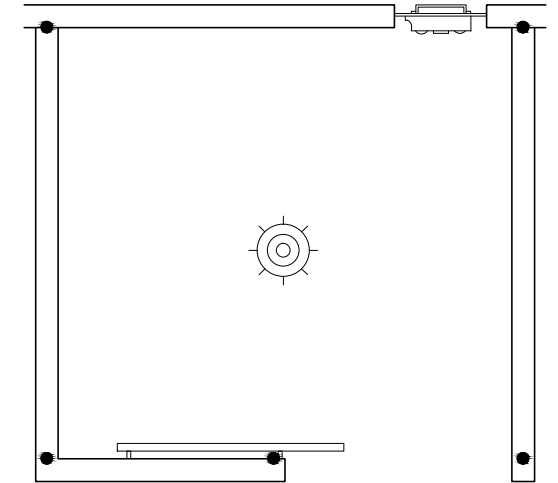
EXHAUST FAN



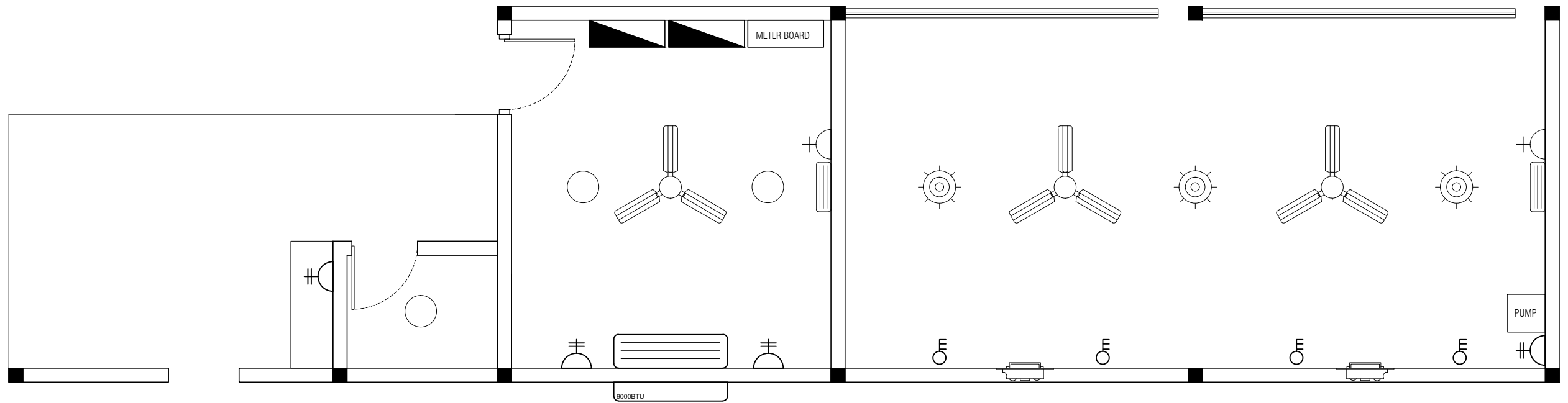
AC WITH OUTLET



COMPOST SCREENING AND STORAGE AREA



HAZARDOUS WASTE AND STORE



EQUIPMENT ROOM, OFFICE AND STAFF QUARTERS ELECTRICAL PLAN

APPROVED BY

PROJECT

DESIGN BY

AMENDMENTS

CONSTRUCTION OF WASTE MANAGEMENT CENTRE  
M. MULAH

AFRAZ

TITLE  
ELECTRICAL PLAN

STRUCTURE BY

AFRAZ

CLIENT DEPARTMENT  
WMPC DEPARTMENT

DRAWN BY

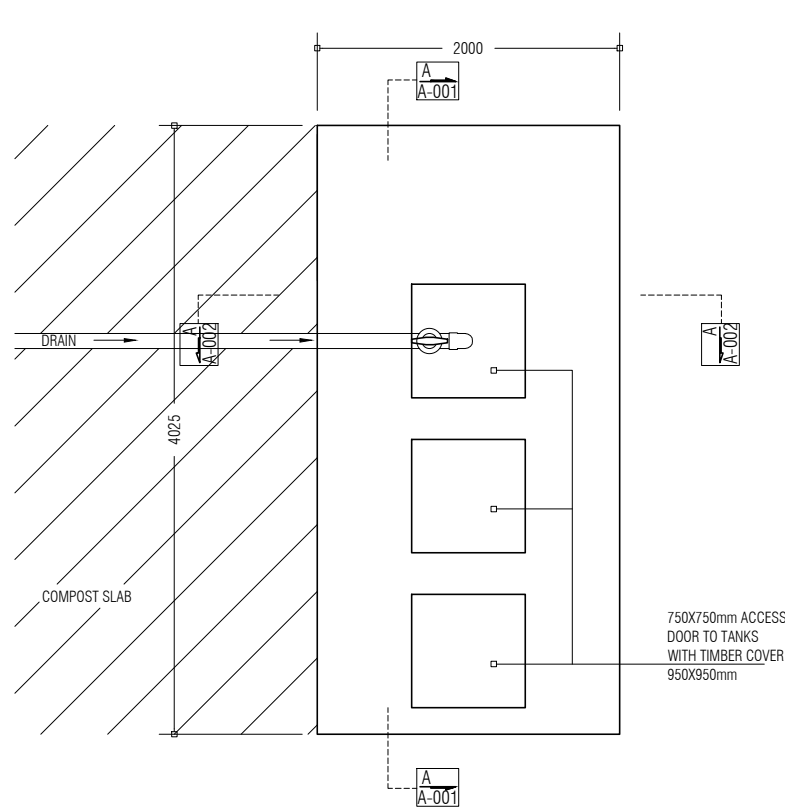
AFRAZ

PAPER SIZE A3  
PAGE NO. 10

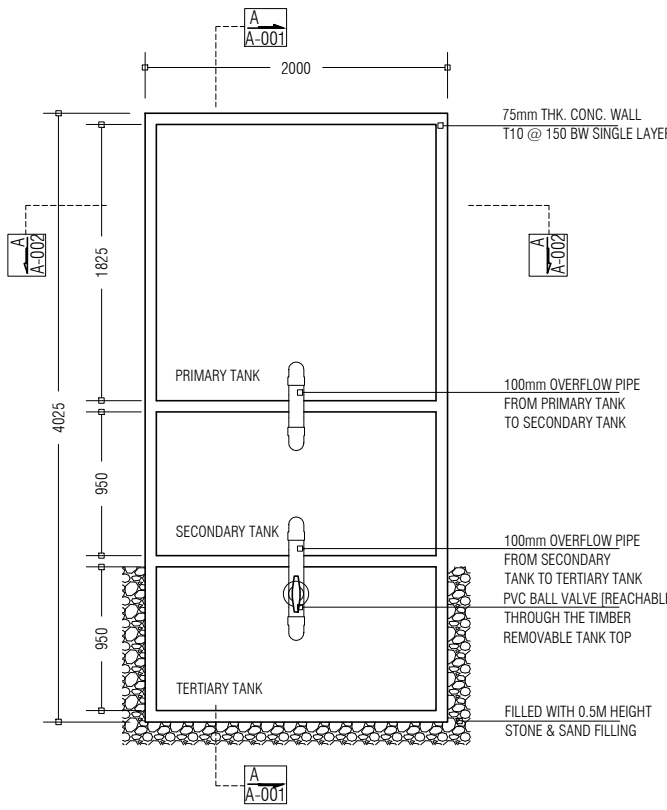
SCALE 1:150  
DWG NO. MULA-R3 A1-10  
DATE 18.04.2018



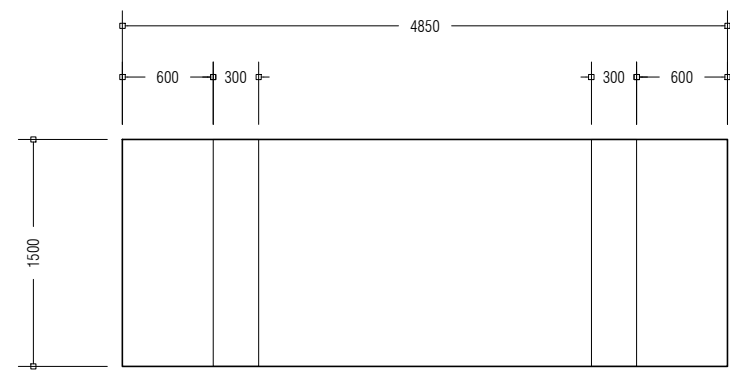
MCEP  
MINISTRY OF ENVIROMENT AND ENERGY  
GREEN BUILDING, HANDHUVAREE HIGUN,  
MAAFANNU, MALE' (20392), REPUBLIC OF MALDIVES.  
TEL: +960-3018431, +960-3018300, FAX: +960-328301



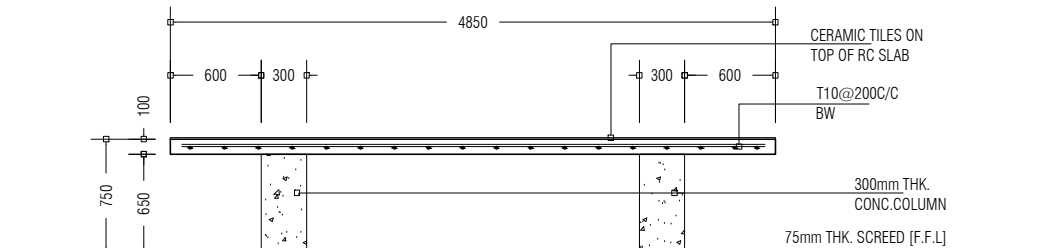
LEACHATE WELL TOP PLAN



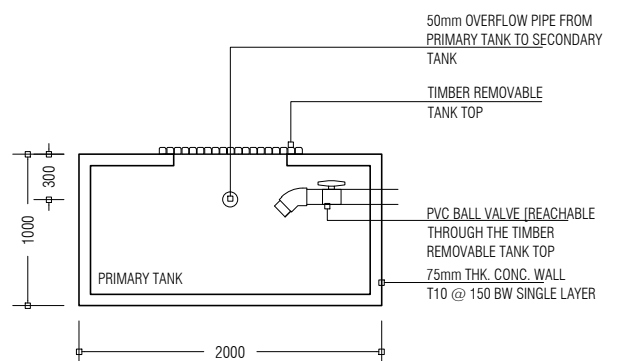
PLAN



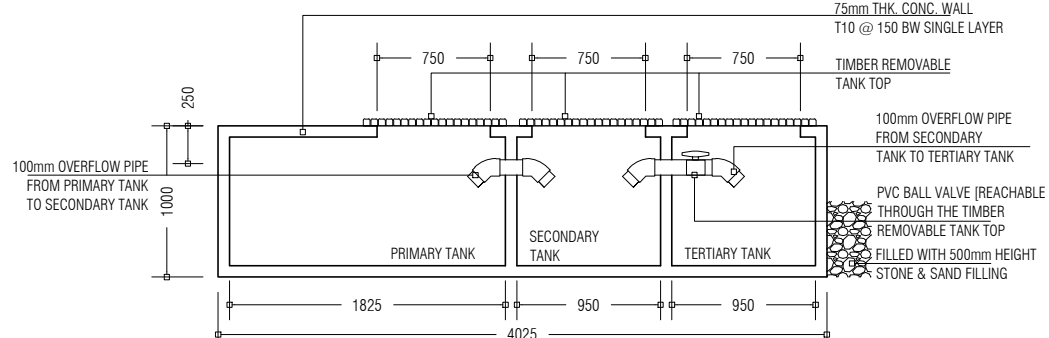
SORTING PLATFORM: TOP VIEW



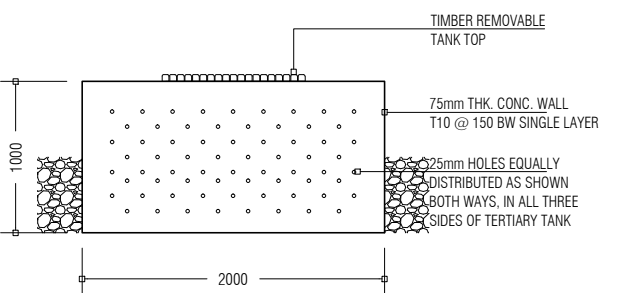
SORTING PLATFORM: FRONT VIEW



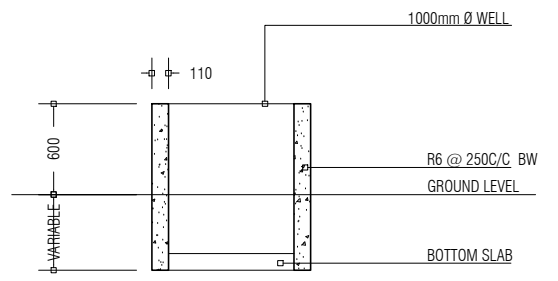
A-002



A-001



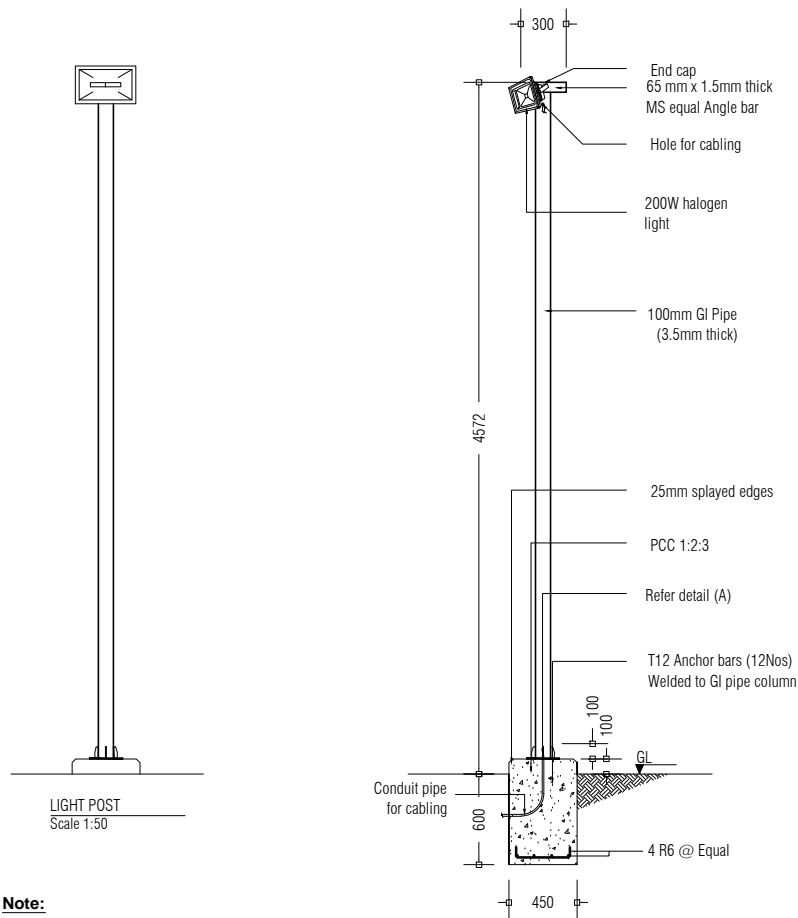
TERTIARY TANK SIDE VIEW



GROUND WATER WELL

APPROVED BY	PROJECT	DESIGN BY	AMENDMENTS
	CONSTRUCTION OF WASTE MANAGEMENT CENTRE	AFRAZ	
	M. MULAH		
	TITLE	STRUCTURE BY	
	LEACHATE WELL [PLAN, SECTION, ELEVATION], GROUND WATER WELL SECTION	AFRAZ	
	CLIENT DEPARTMENT	DRAWN BY	
	WMPC DEPARTMENT	AFRAZ	
PAPER SIZE	A3	SCALE	1:50
PAGE NO.	11	DWG NO.	MULA-R3 A1-11
		DATE	18.04.2018

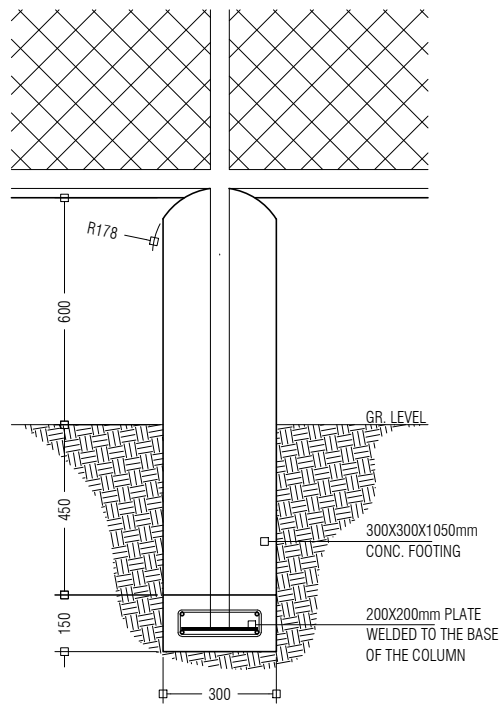




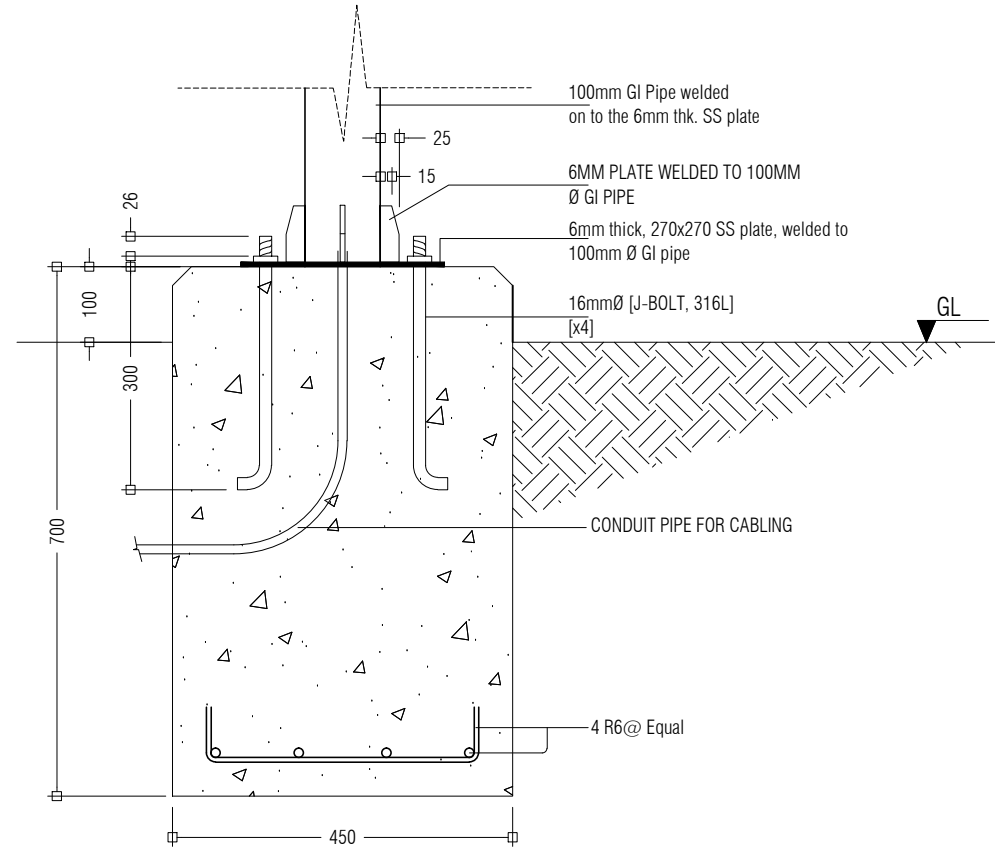
**Note:**

- \* Concrete cover: 50mm
- \* GI pipe to be painted with 1 coat of sealer & 2 coats of finishing paint. (Sigma, maroon colour)

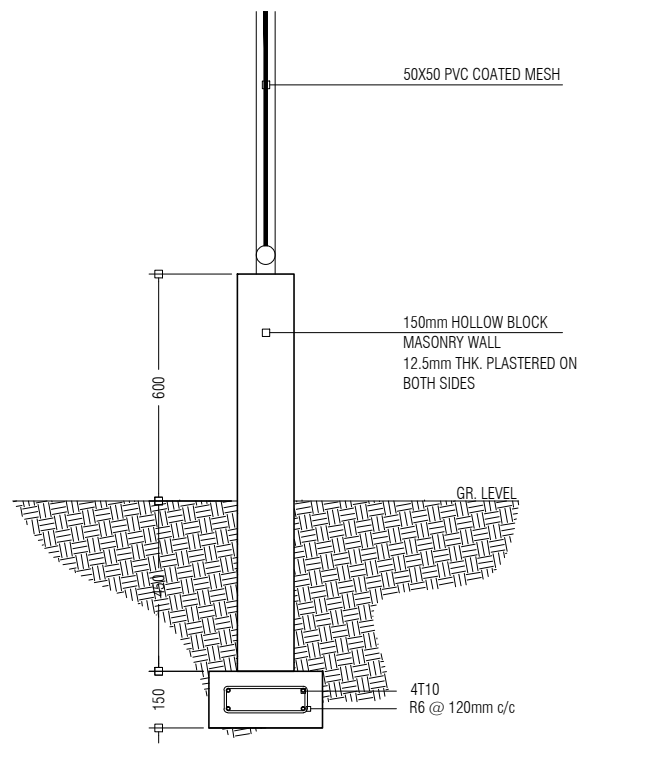
LIGHT POST DETAIL  
Scale 1:50



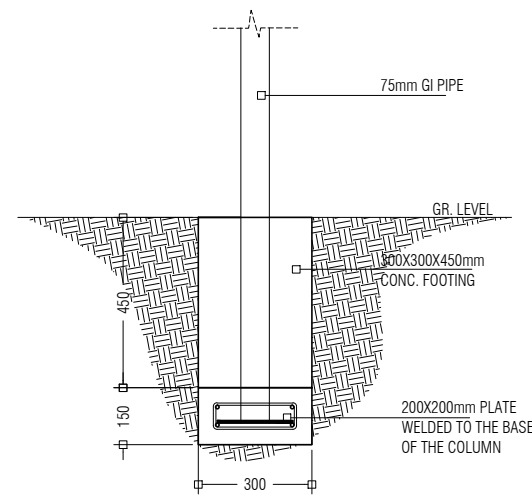
PERIMETER FENCE FOUNDATION DETAIL



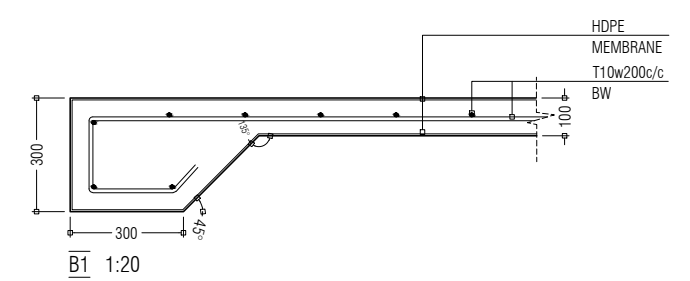
LIGHT POST FOUNDATION FOOTING DETAIL 1:10



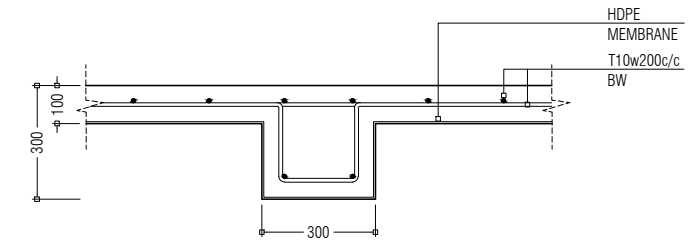
PERIMETER FENCE WALL FOUNDATION DETAIL



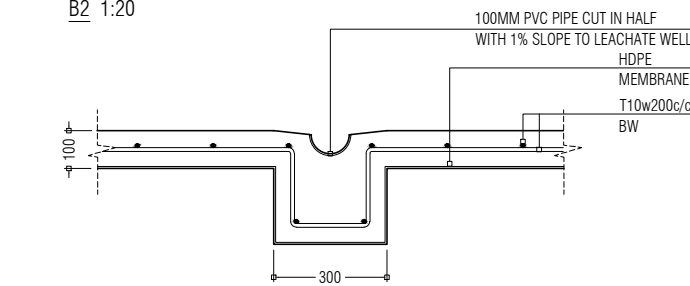
COLUMN AND BEAM DETAILS



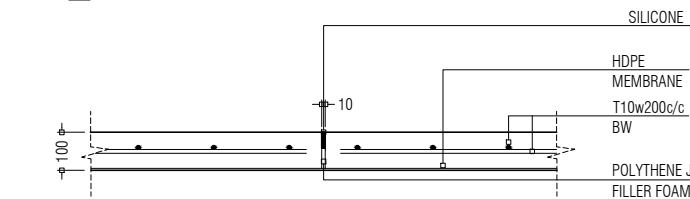
B1 1:20



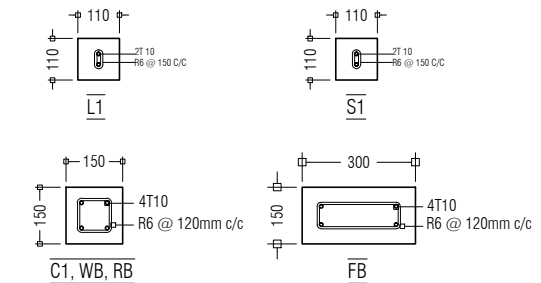
B2 1:20



B3 1:20



COMPOST BED SLAB DETAIL 1:20



C1, WB, RB FB

APPROVED BY

PROJECT

DESIGN BY

AMENDMENTS

CONSTRUCTION OF WASTE MANAGEMENT CENTRE  
M. MULAH

AFRAZ

TITLE

STRUCTURE BY

DETAILS

AFRAZ

CLIENT DEPARTMENT

DRAWN BY

WMPC DEPARTMENT

AFRAZ

PAPER SIZE A3

SCALE

1:50, 1:20, 1:10

PAGE NO. 12

DWG NO.

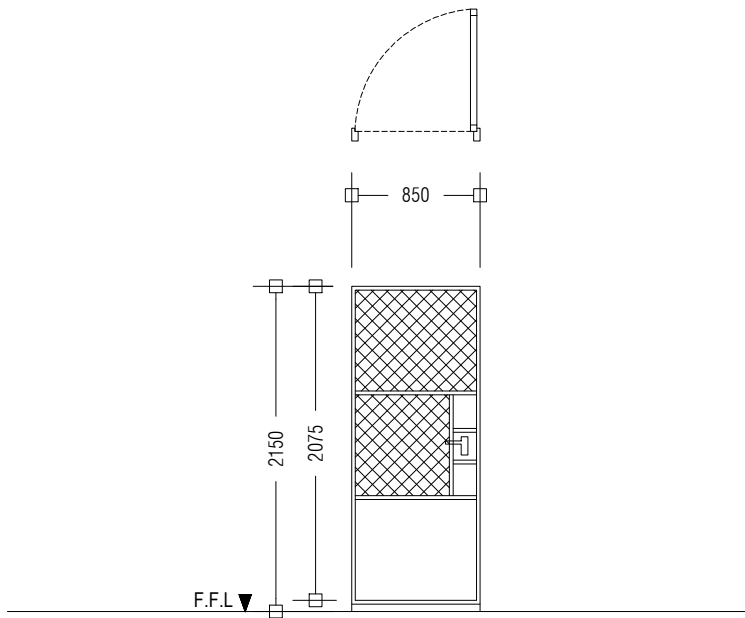
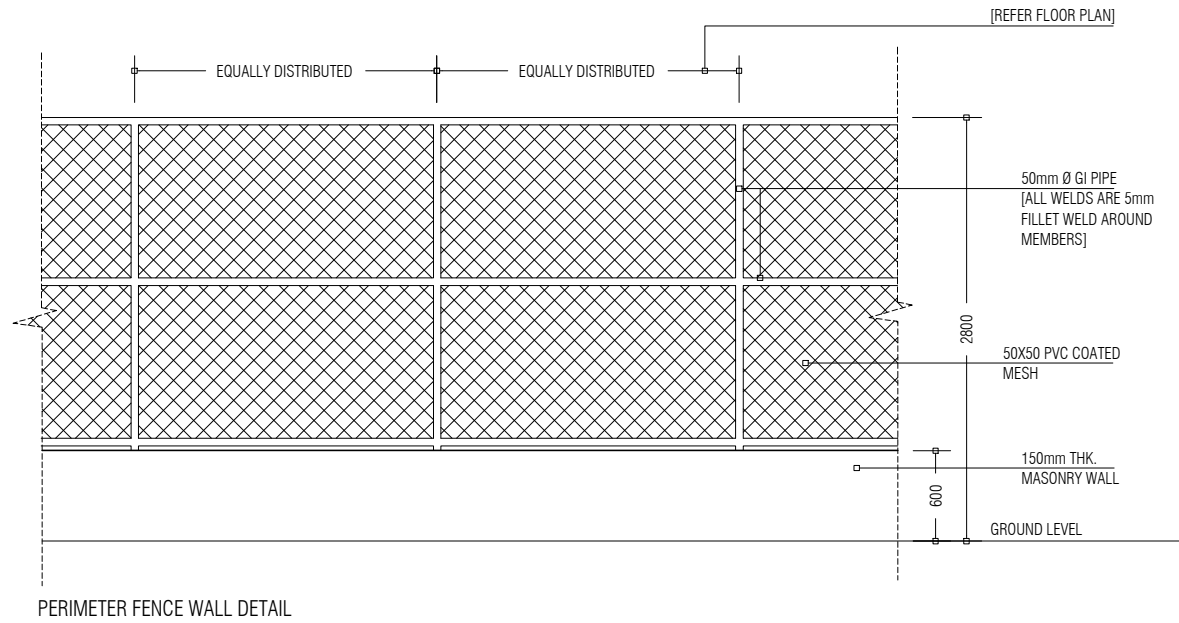
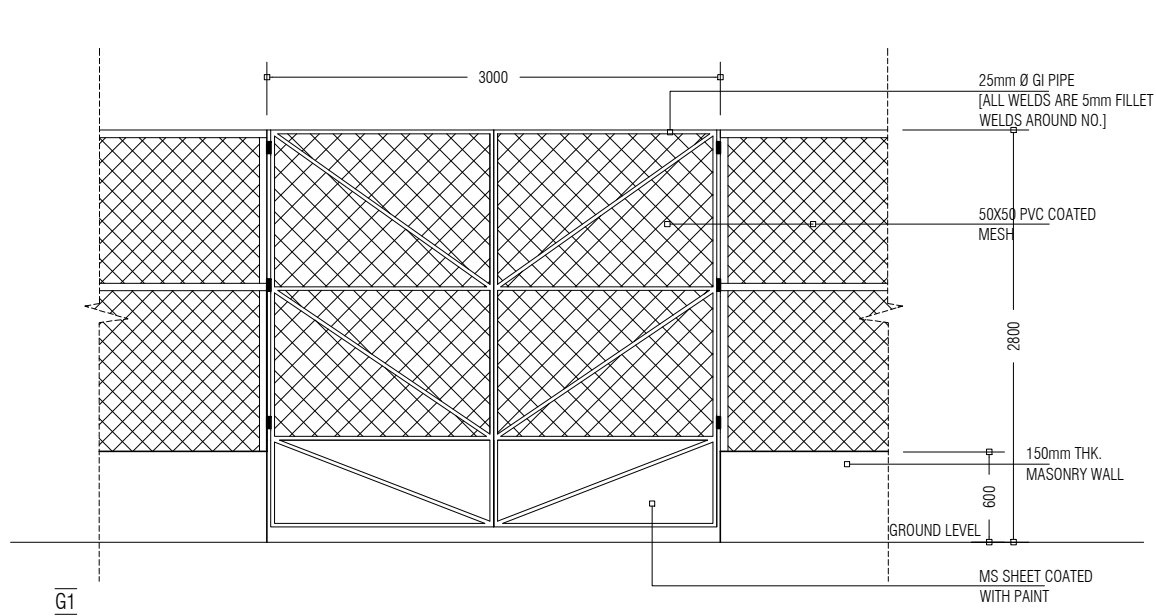
MULA-R3 A1-12

DATE

18.04.2018

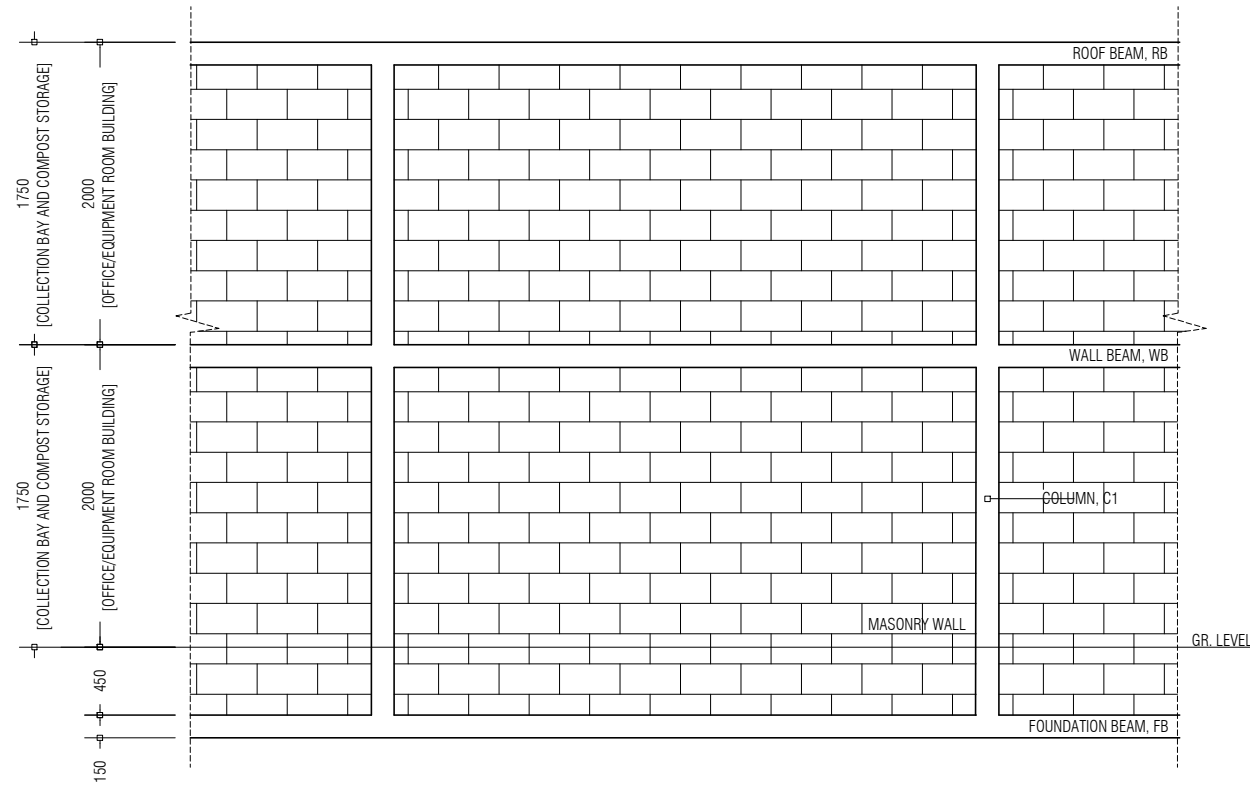


MCEP  
MINISTRY OF ENVIROMENT AND ENERGY  
GREEN BUILDING, HANDHUVAREE HIGUN,  
MAAFANNU, MALE' (20392), REPUBLIC OF MALDIVES.  
TEL: +960-3018431, +960-3018300, FAX: +960-328301

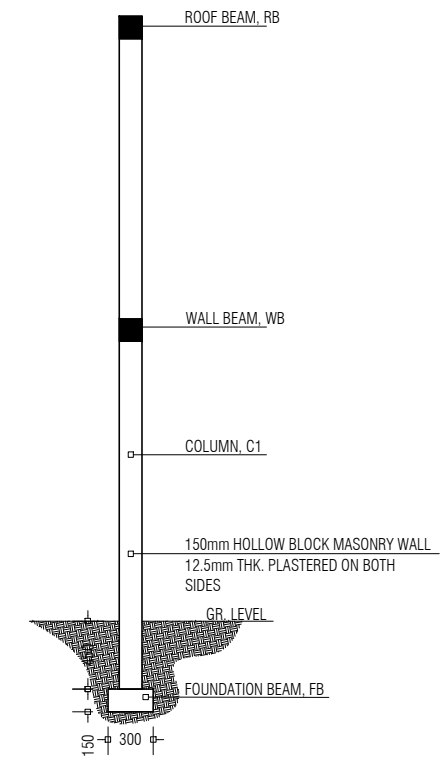


D1	SWING TYPE GATE
REMARKS	GI PIPE (50MM) FRAMED GATE WITH PVC COATED WIRE MESH AND MS SHEET COATED WITH PAINT, GI PIPE TWO COAT PAINTED 01 DOOR KNOB WITH LOCK SET 04 HINGES
LOCATION	GROUND FLOOR
QUANTITY	NO.S 01
OPEN AREA	1.83 m <sup>2</sup>

NOTE:  
ALL WELDS FOR THE  
GI MEMBERS ARE  
5mm FILLET WELDS



BUILDINGS WALL ELEVATION

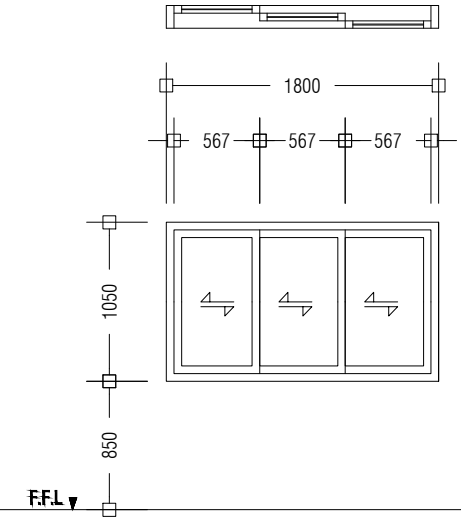
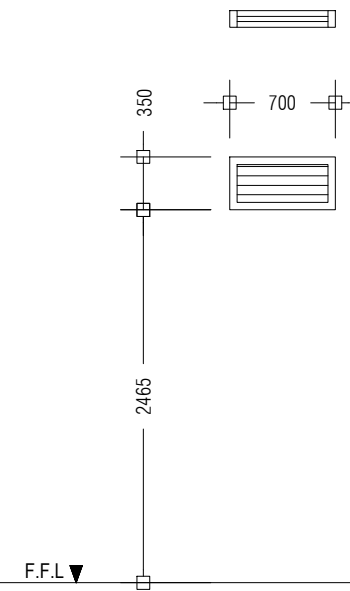
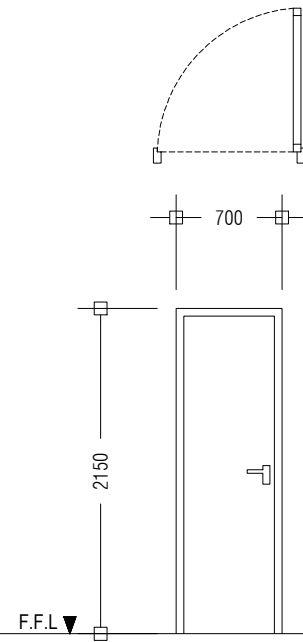
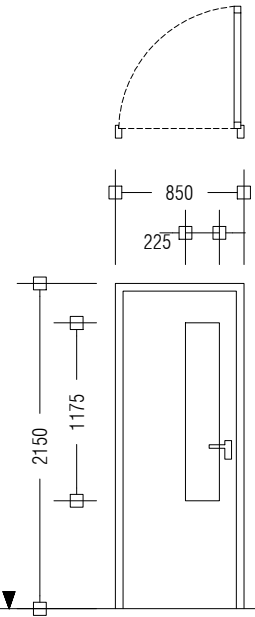


BUILDINGS WALL DETAIL

APPROVED BY	PROJECT	DESIGN BY	AMENDMENTS
	CONSTRUCTION OF WASTE MANAGEMENT CENTRE M. MULAH	AFRAZ	
	TITLE	STRUCTURE BY	
	GATE SCHEDULE, FENCING DETAIL, WALL DETAIL	AFRAZ	
	CLIENT DEPARTMENT	DRAWN BY	
	WMPC DEPARTMENT	AFRAZ	
PAPER SIZE	A3	SCALE	1:50
PAGE NO.	13	DWG NO.	MULA-R3 A1-13
		DATE	18.04.2018



MCEP  
MINISTRY OF ENVIROMENT AND ENERGY  
GREEN BUILDING, HANDHUVAREE HIGUN,  
MAAFANNU, MALE (20392), REPUBLIC OF MALDIVES.  
TEL: +960-3018431, +960-3018300, FAX: +960-328301

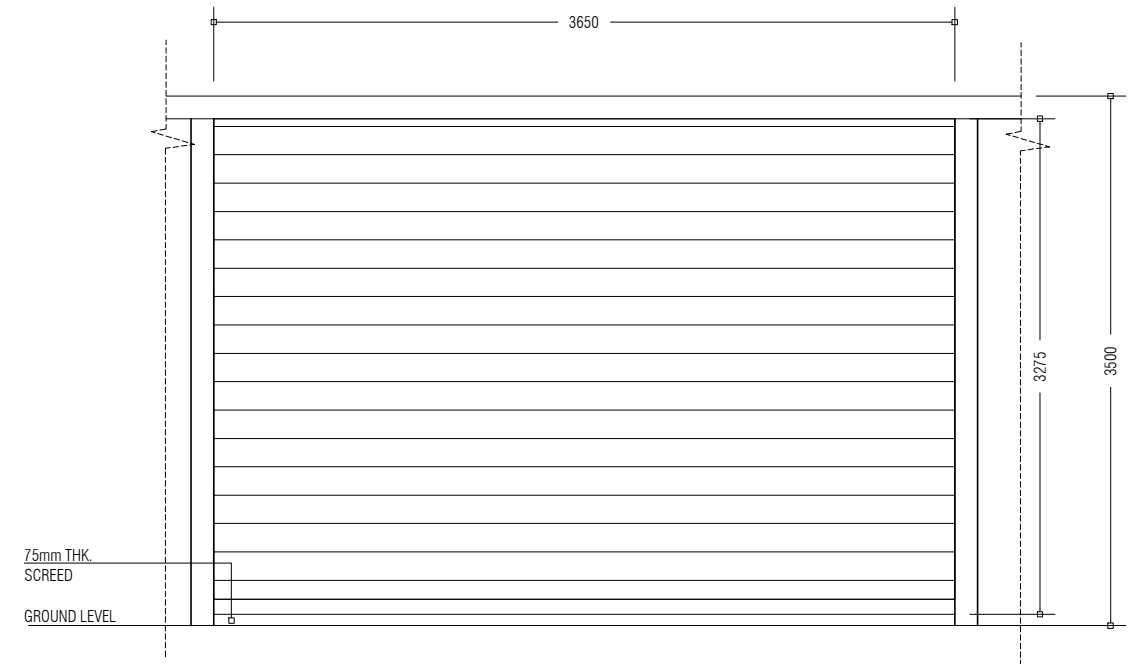


<b>D2</b>	<b>SWING TYPE DOOR</b>
REMARKS	ALUMINUM DOOR WITH CLEAR GLASS PANEL 01 DOOR KNOB WITH LOCK SET 04 HINGES DOOR STOPPER, FINISHED WITH WHITE COATED PAINT
LOCATION	GROUND FLOOR
QUANTITY	NO.S 01
OPEN AREA	1.83 m <sup>2</sup>

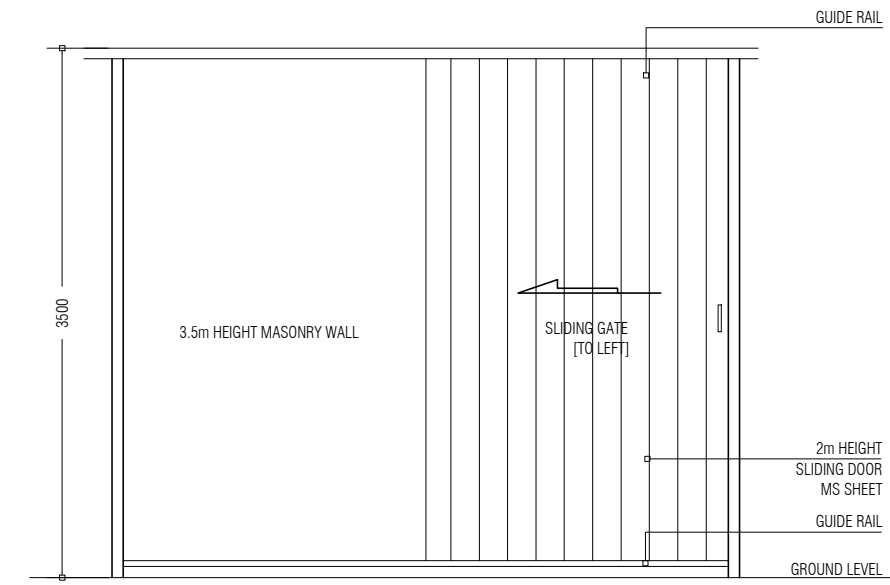
<b>D3</b>	<b>SWING TYPE DOOR</b>
REMARKS	ALUMINIUM DOOR WITH DOOR KNOB AND 1 LOCK SET
LOCATION	GROUND FLOOR
QUANTITY	NO.S 07
OPEN AREA	1.51m <sup>2</sup>

<b>W1</b>	<b>ALUMINIUM LOUVER WINDOW</b>
REMARKS	ALUMINUM FRAMED, ALUMINIUM LOUVERED, FINISHED WITH WHITE COATED PAINT
LOCATION	GROUND FLOOR
QUANTITY	NO.S 1
OPEN AREA	0.15 m <sup>2</sup>

<b>W2</b>	<b>ALUMINIUM SLIDING WINDOW</b>
REMARKS	ALUMINUM FRAMED, TINTED BLACK GLASS, FINISHED WITH TIMBER POWDER COATED PAINT
LOCATION	GROUND FLOOR
QUANTITY	NO.S 02
OPEN AREA	1.89 m <sup>2</sup>



EQUIPMENT ROOM RSD



HAZADIOUS WASTE SD1

APPROVED BY	PROJECT	DESIGN BY	AMENDMENTS
	CONSTRUCTION OF WASTE MANAGEMENT CENTRE M. MULAH	AFRAZ	
	TITLE	STRUCTURE BY	
	DOOR AND WINDOW SCHEDULE	AFRAZ	
	CLIENT DEPARTMENT	DRAWN BY	
	WMPC DEPARTMENT	AFRAZ	
	PAPER SIZE A3	SCALE	1:50
	PAGE NO. 14	DWG NO.	MULA-R3 A1-14
		DATE	18.04.2018

