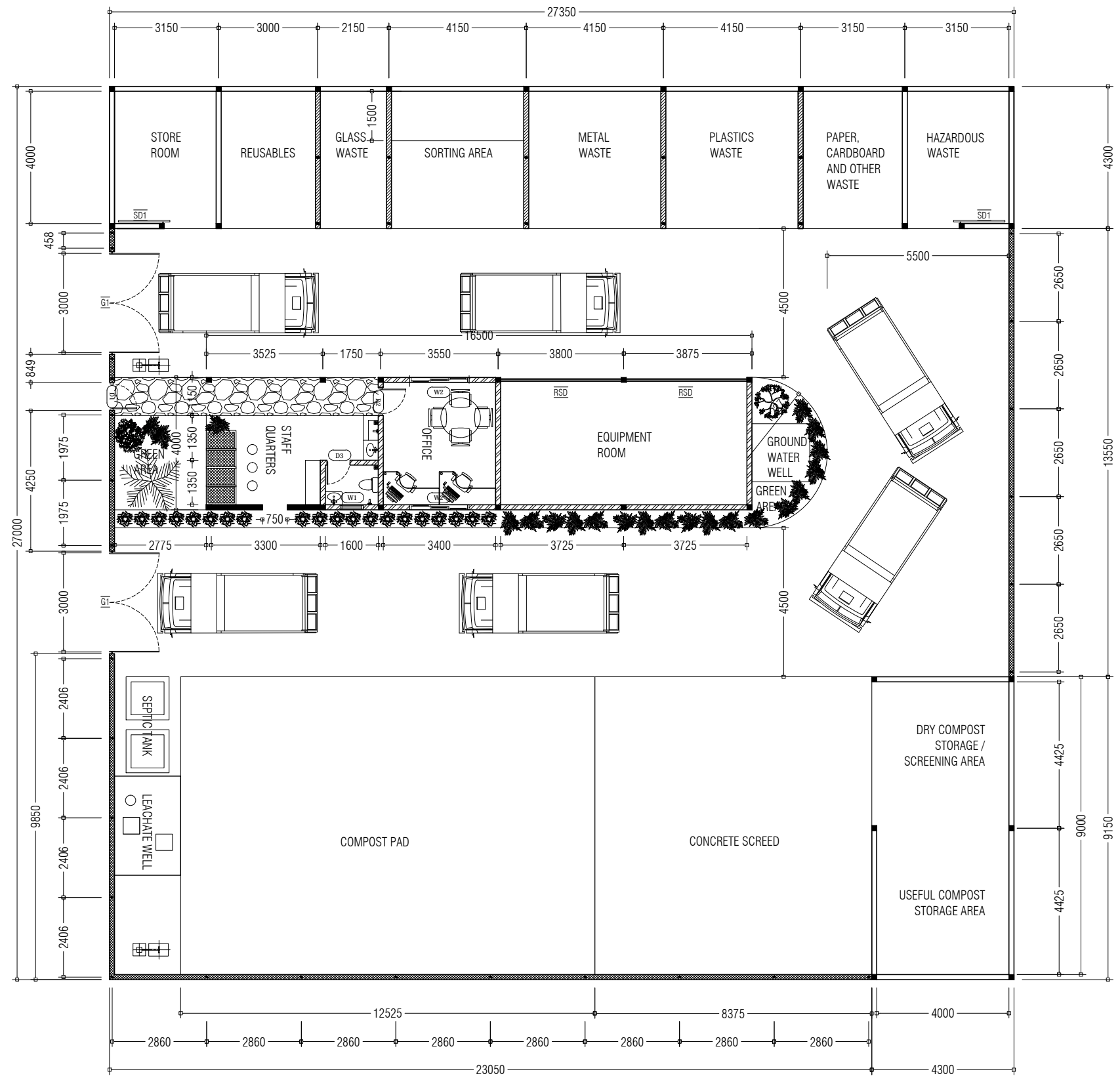


CONSTRUCTION OF TH. KINBIDHOO ISLAND WASTE MANAGEMENT CENTRE



PREPARED BY:
MALDIVES CLEAN ENVIRONMENT PROJECT
MINISTRY OF ENVIRONMENT AND ENERGY

2018



APPROVED BY

PROJECT

DESIGN BY

AMENDMENTS

CONSTRUCTION OF WASTE MANAGEMENT CENTRE
TH. KINBIDHOO

AFRAZ

SEPTIC TANK ADDED

TITLE

STRUCTURE BY

FLOOR PLAN

AFRAZ

CLIENT DEPARTMENT

DRAWN BY

WMPC DEPARTMENT

AFRAZ

PAPER SIZE A3

SCALE

1:150

PAGE NO. 01

DWG NO.

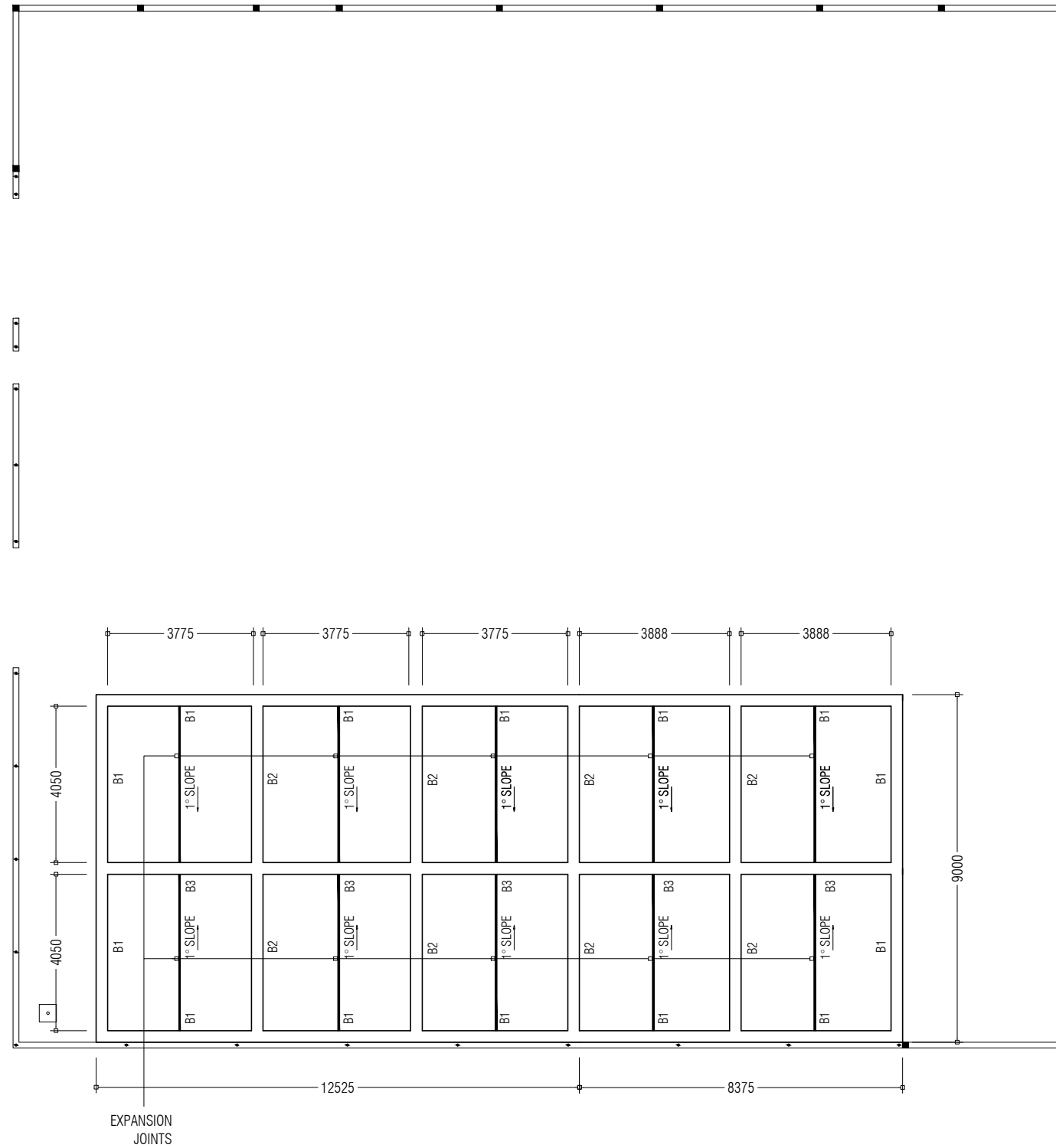
KINB-R4 A1-01

DATE

05.06.2018



MCEP
MINISTRY OF ENVIROMENT AND ENERGY
GREEN BUILDING, HANDHUVAREE HIGUN,
MAAFANNU, MALE (20392), REPUBLIC OF MALDIVES,
TEL: +960-3018431, +960-3018300, FAX: +960-328301



APPROVED BY

PROJECT

DESIGN BY

AMENDMENTS

CONSTRUCTION OF WASTE MANAGEMENT CENTRE
TH. KINBIDHOO

AFRAZ

TITLE

STRUCTURE BY

COMPOST PAD FOUNDATION BEAM PLAN

AFRAZ

CLIENT DEPARTMENT

DRAWN BY

WMPC DEPARTMENT

AFRAZ

PAPER SIZE A3

SCALE 1:150

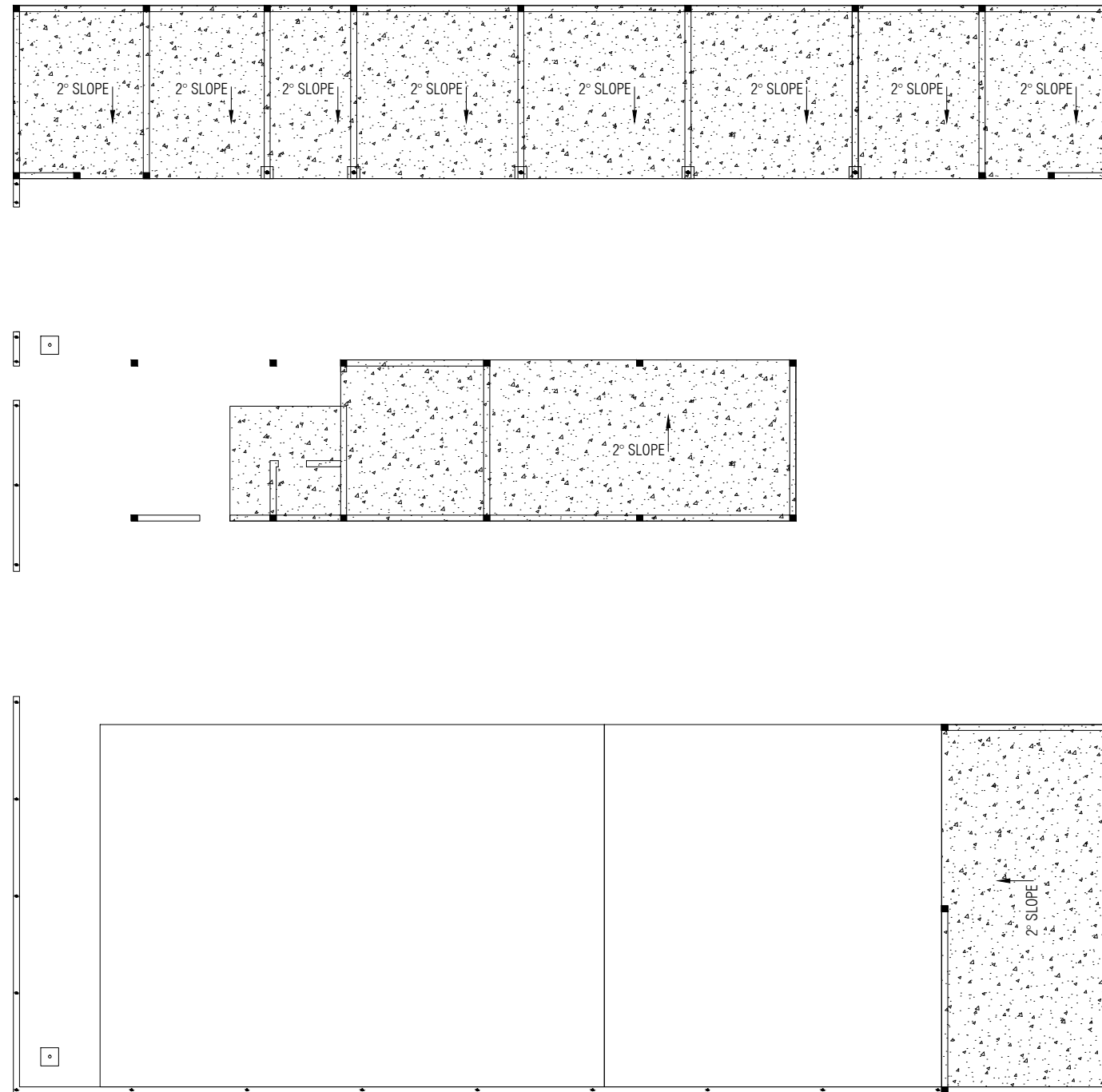
PAGE NO. 03

DWG NO. KINB-R3 A1-03

DATE 18.04.2018



MCEP
MINISTRY OF ENVIROMENT AND ENERGY
GREEN BUILDING, HANDHUVAREE HIGUN,
MAAFANNU, MALE (20392), REPUBLIC OF MALDIVES,
TEL: +960-3018431, +960-3018300, FAX: +960-328301



APPROVED BY

PROJECT

DESIGN BY

AMENDMENTS

CONSTRUCTION OF WASTE MANAGEMENT CENTRE
TH. KINBIDHOO

AFRAZ

TITLE
FLOOR SCREED PLAN

STRUCTURE BY

AFRAZ

CLIENT DEPARTMENT
WMPC DEPARTMENT

DRAWN BY

AFRAZ

PAPER SIZE A3

SCALE 1:150

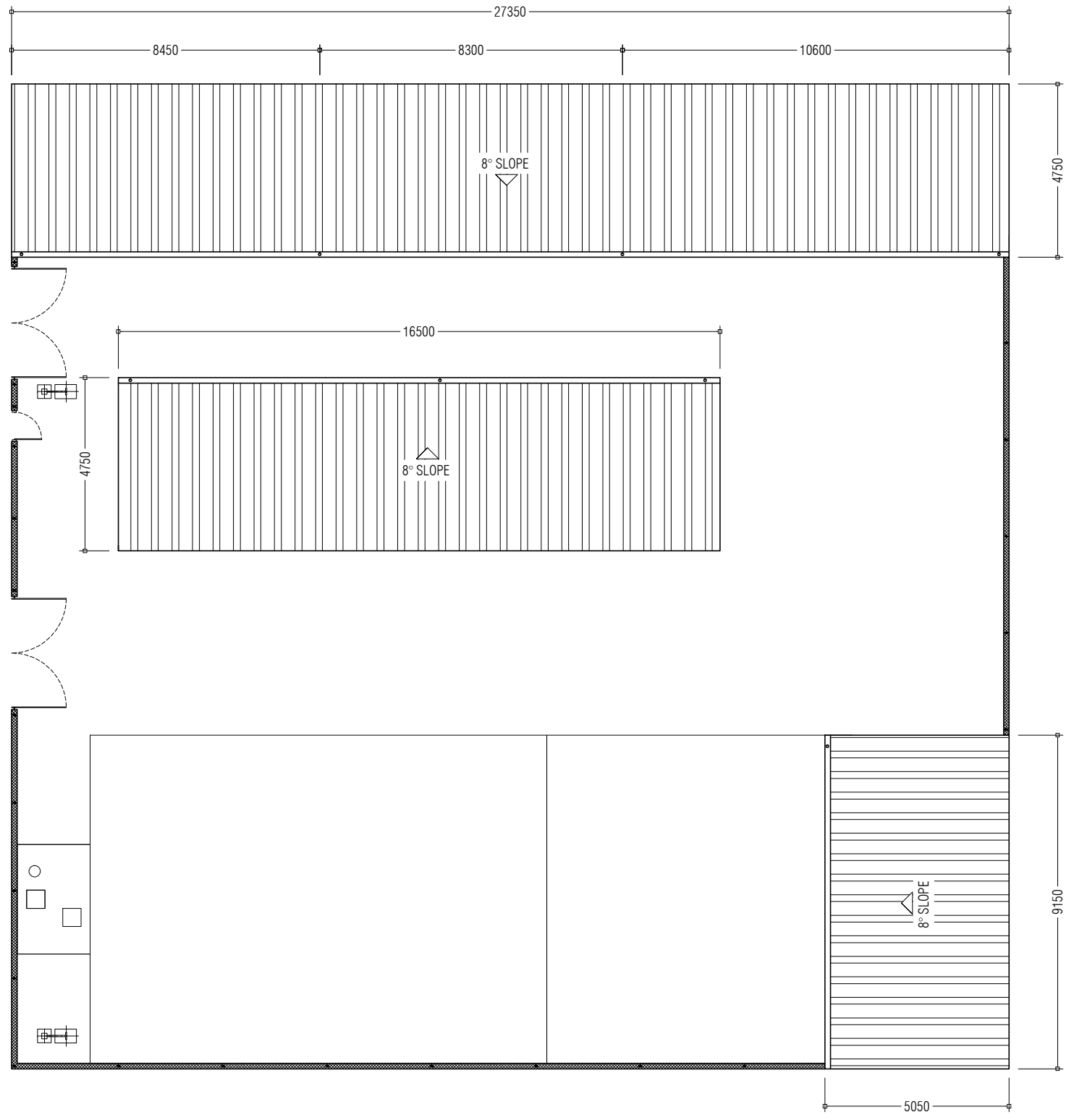
PAGE NO. 04

DWG NO. KINB-R3 A1-04

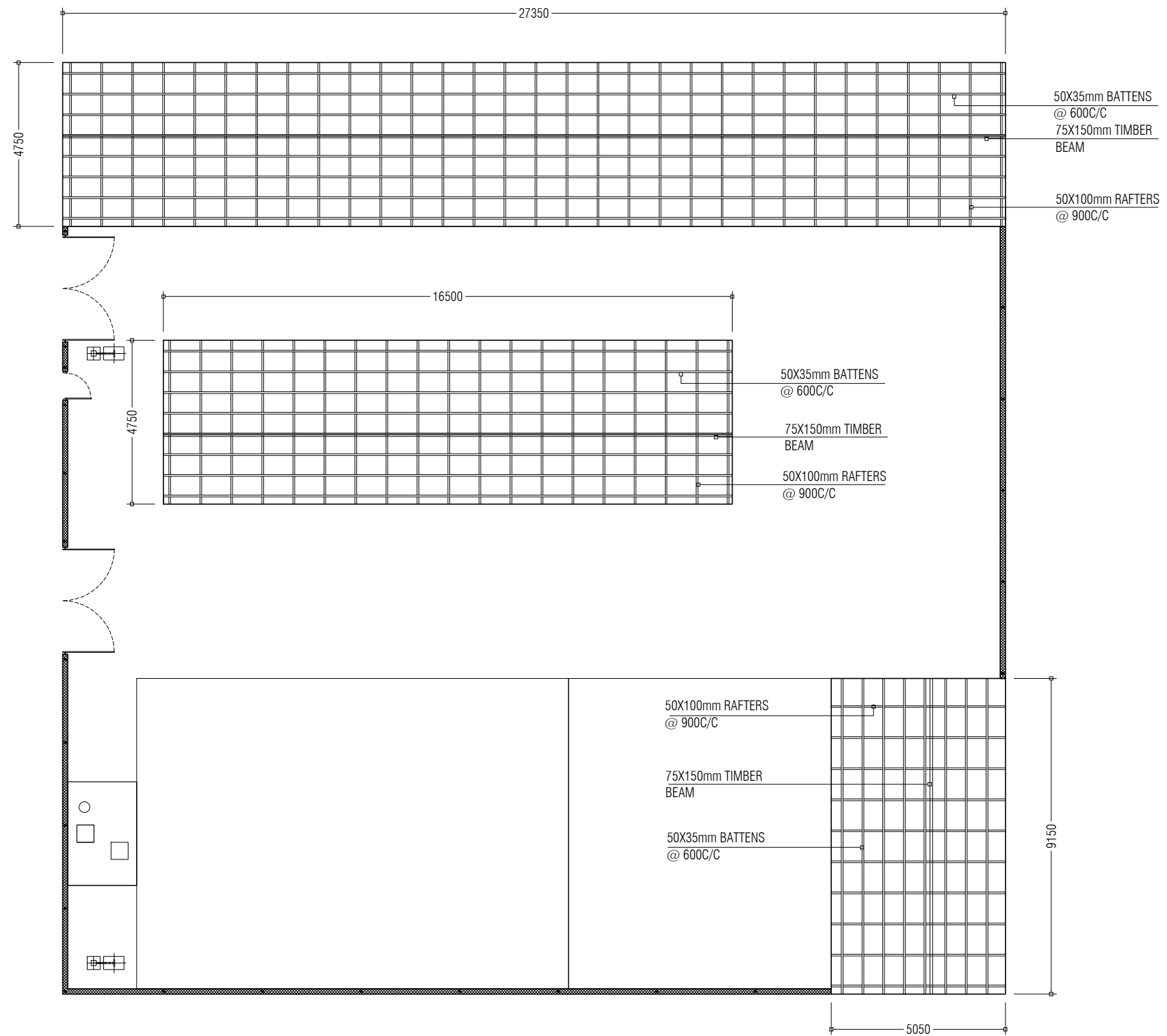
DATE 18.04.2018



MCEP
MINISTRY OF ENVIROMENT AND ENERGY
GREEN BUILDING, HANDHUVAREE HIGUN,
MAAFANNU, MALE (20392), REPUBLIC OF MALDIVES,
TEL: +960-3018431, +960-3018300, FAX: +960-328301



| APPROVED BY | PROJECT | DESIGN BY | AMENDMENTS |
|-------------|--|-----------------------|------------|
| | CONSTRUCTION OF WASTE MANAGEMENT CENTRE TH. KINBIDHOO | AFRAZ | |
| | TITLE ROOF PLAN | STRUCTURE BY AFRAZ | |
| | CLIENT DEPARTMENT WMPC DEPARTMENT | DRAWN BY AFRAZ | |
| | PAPER SIZE A3 | SCALE 1:150 | |
| | PAGE NO. 05 | DWG NO. KINB-R3 A1-05 | |
| | | DATE 18.04.2018 | |



50X35mm BATTENS
@ 600C/C
75X150mm TIMBER
BEAM

50X100mm RAFTERS
@ 900C/C

50X35mm BATTENS
@ 600C/C

75X150mm TIMBER
BEAM

50X100mm RAFTERS
@ 900C/C

50X100mm RAFTERS
@ 900C/C

75X150mm TIMBER
BEAM

50X35mm BATTENS
@ 600C/C

APPROVED BY

PROJECT

DESIGN BY

AMENDMENTS

CONSTRUCTION OF WASTE MANAGEMENT CENTRE
TH. KINBIDHOO

AFRAZ

TITLE

STRUCTURE BY

ROOF FRAMING

AFRAZ

CLIENT DEPARTMENT

DRAWN BY

WMPC DEPARTMENT

AFRAZ

PAPER SIZE A3

SCALE 1:150

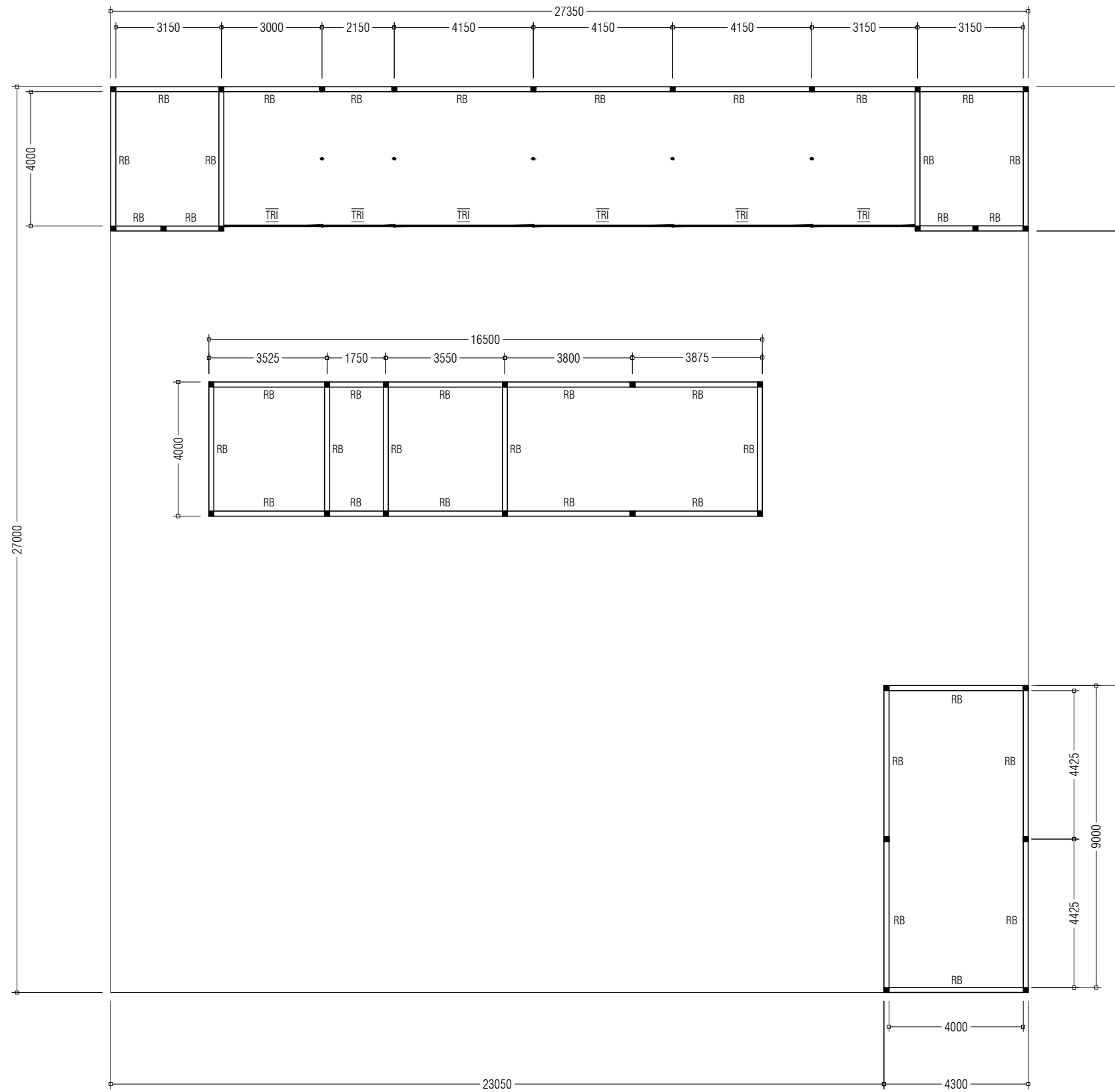
PAGE NO. 06

DWG NO. KINB-R3 A1-06

DATE 18.04.2018



MCEP
MINISTRY OF ENVIROMENT AND ENERGY
GREEN BUILDING, HANDHUVAREE HIGUN,
MAAFANNU, MALE' (20392), REPUBLIC OF MALDIVES.
TEL: +960-3018431, +960-3018300, FAX: +960-328301



APPROVED BY

PROJECT
CONSTRUCTION OF WASTE MANAGEMENT CENTRE
TH. KINBIDHOO

DESIGN BY
AFRAZ

AMENDMENTS

TITLE
ROOF BEAM PLAN
CLIENT DEPARTMENT
WMPC DEPARTMENT

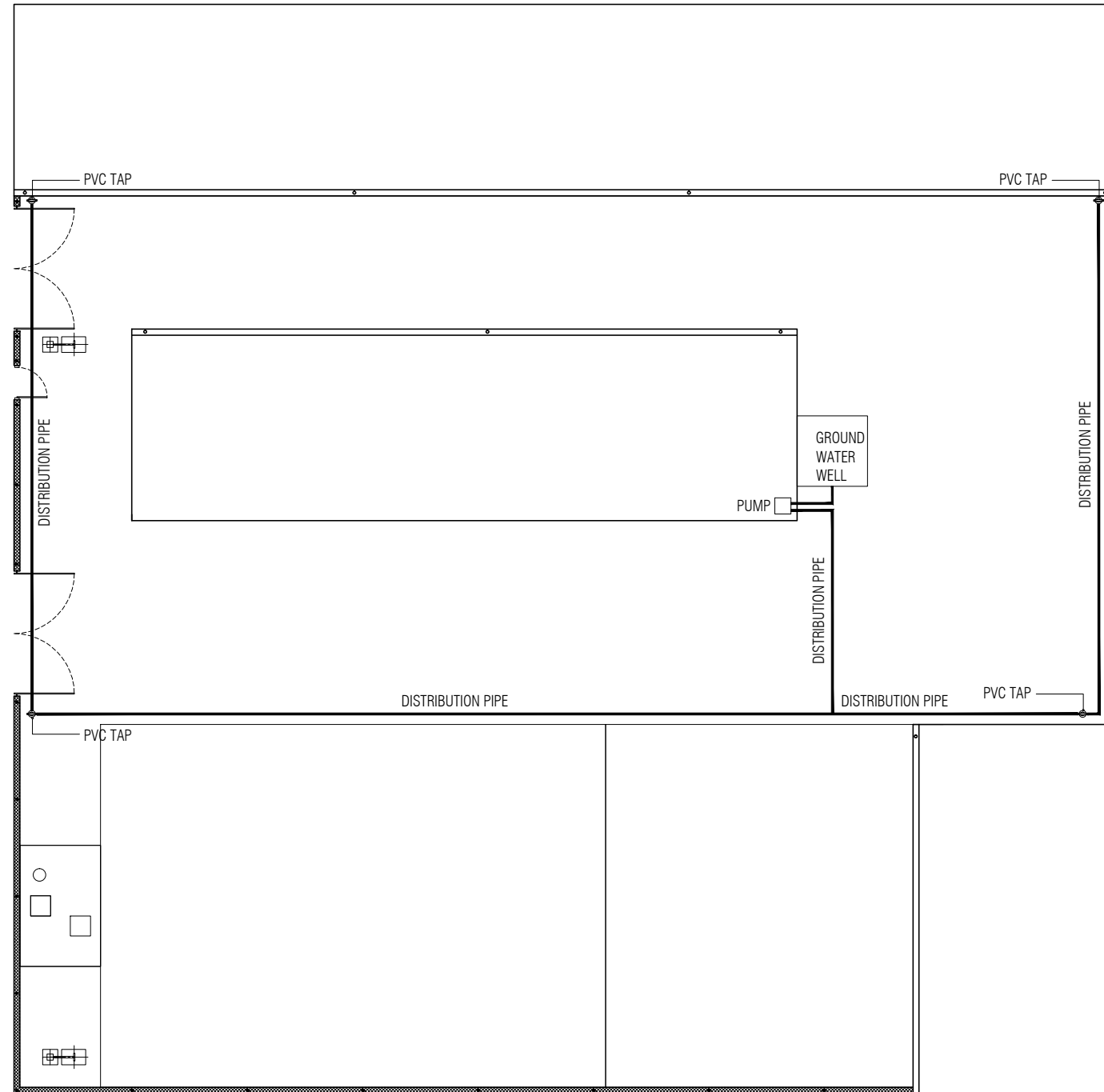
STRUCTURE BY
AFRAZ
DRAWN BY
AFRAZ

PAPER SIZE A3
PAGE NO. 07

SCALE 1:150
DWG NO. KINB-R3 A1-07
DATE 18.04.2018



MCEP
MINISTRY OF ENVIROMENT AND ENERGY
GREEN BUILDING, HANDHUVAREE HIGUN,
MAAFANNU, MALE' (20392), REPUBLIC OF MALDIVES.
TEL: +960-3018431, +960-3018300, FAX: +960-328301



APPROVED BY

PROJECT
CONSTRUCTION OF WASTE MANAGEMENT CENTRE
TH. KINBIDHOO

DESIGN BY
AFRAZ

AMENDMENTS

TITLE
ROOF BEAM PLAN

STRUCTURE BY
AFRAZ

CLIENT DEPARTMENT
WMPC DEPARTMENT

DRAWN BY
AFRAZ

PAPER SIZE A3

SCALE 1:150

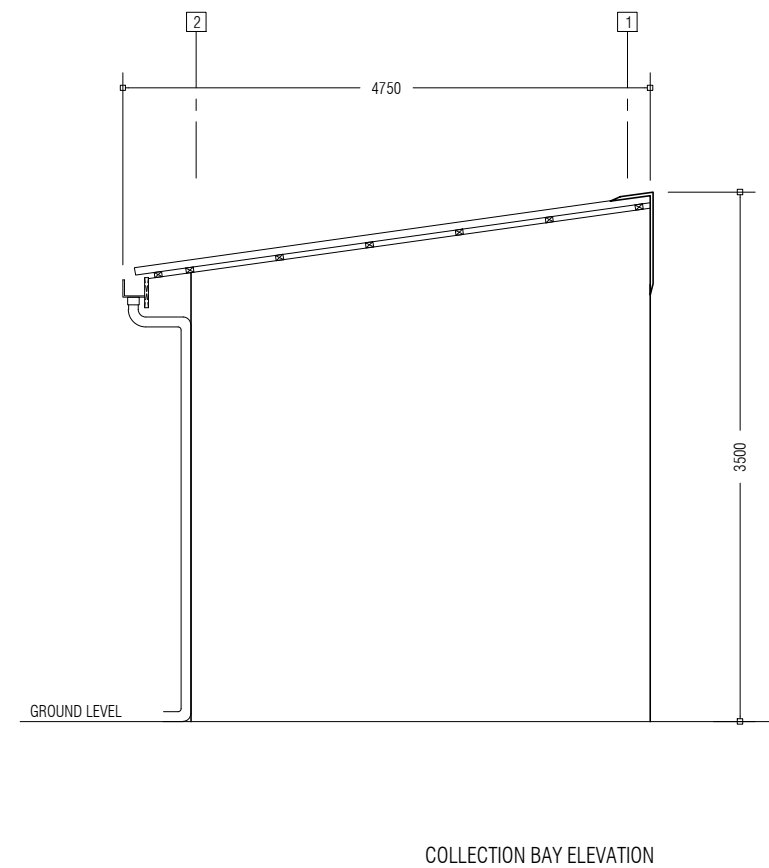
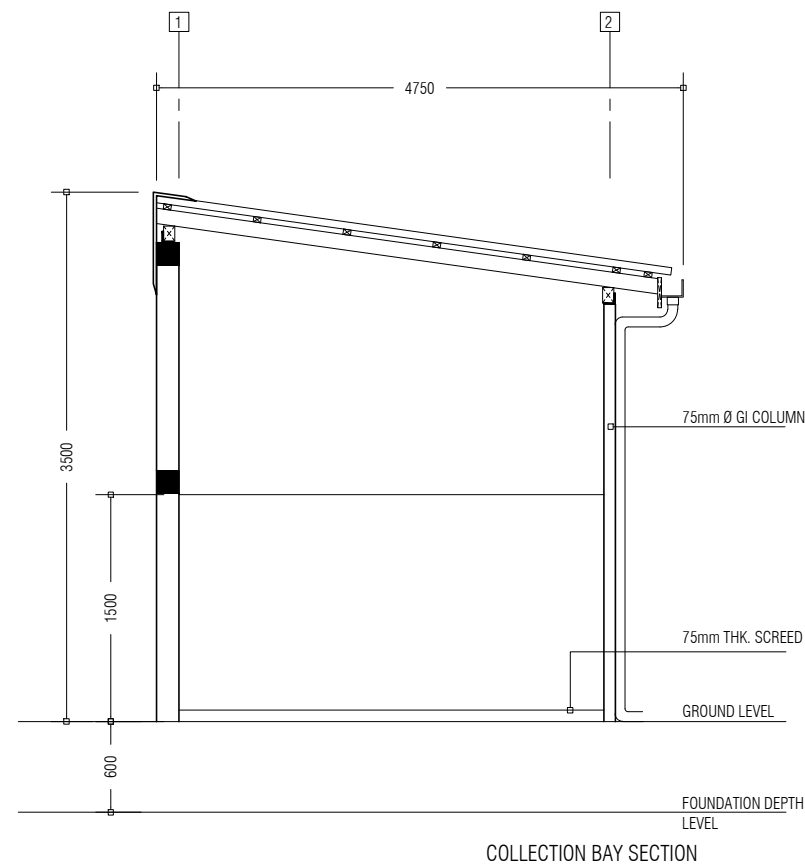
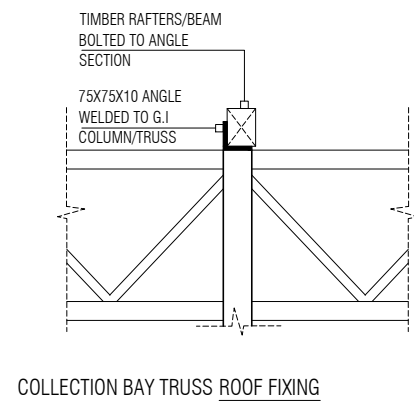
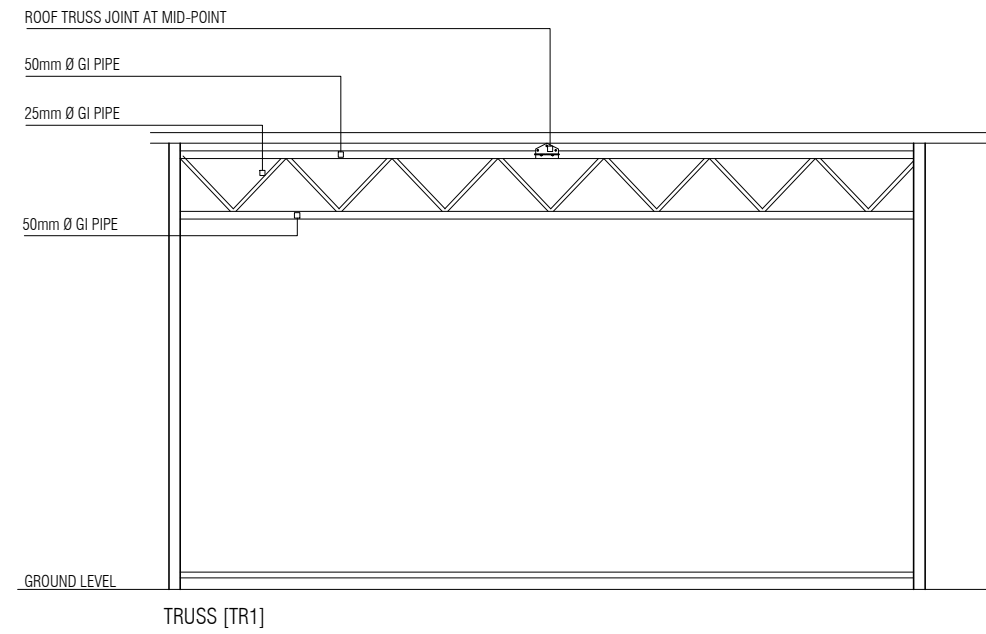
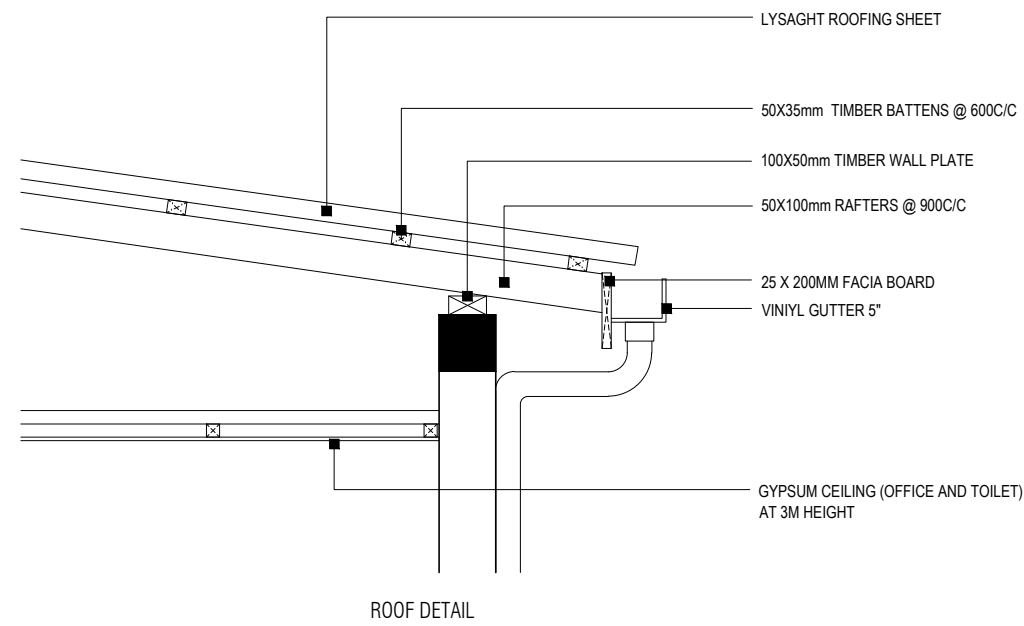
PAGE NO. 08

DWG NO. KINB-R3 A1-08

DATE 18.04.2018



MCEP
MINISTRY OF ENVIROMENT AND ENERGY
GREEN BUILDING, HANDHUVAREE HIGUN,
MAAFANNU, MALÉ (20392), REPUBLIC OF MALDIVES.
TEL: +960-3018431, +960-3018300, FAX: +960-328301



APPROVED BY



MCEP
MINISTRY OF ENVIROMENT AND ENERGY
GREEN BUILDING, HANDHUVAREE HIGUN,
MAAFANNU, MALE' (20392), REPUBLIC OF MALDIVES.
TEL: +960-3018431, +960-3018300, FAX: +960-328301

PROJECT
CONSTRUCTION OF WASTE MANAGEMENT CENTRE
TH. KINBIDHOO

TITLE
ELEVATIONS AND SECTIONS

CLIENT DEPARTMENT
WMPC DEPARTMENT

PAPER SIZE A3
PAGE NO. 09

DESIGN BY
AFRAZ

STRUCTURE BY
AFRAZ

DRAWN BY
AFRAZ

SCALE 1:150
DWG NO. KINB-R3 A1-09
DATE 18.04.2018

AMENDMENTS

LEGEND

METER BOARD



DISTRIBUTION BOARDS



20W LED LIGHT (DAY LIGHT)



18W CEILING MOUNT LIGHT (WARM WHITE)



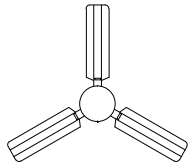
13AMP DOUBLE SOCKET



3 PHASE, 15A POWER POINTS (1.5m ABOVE GROUND)



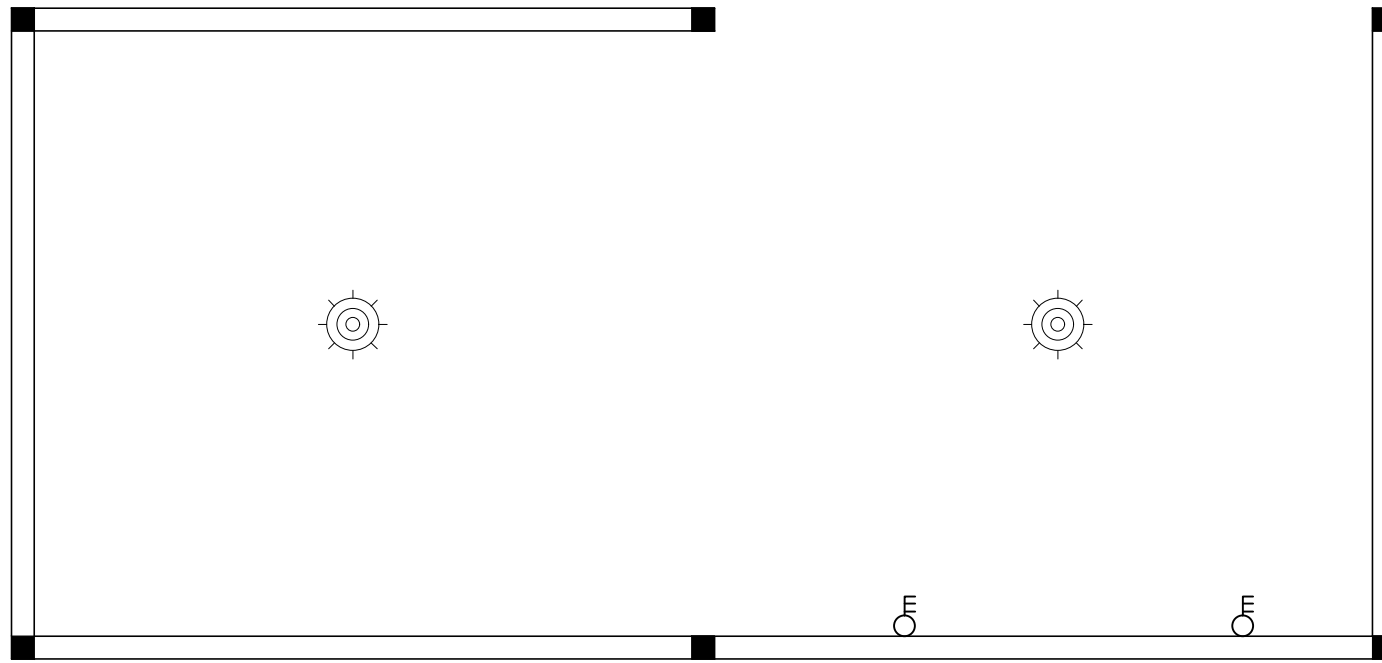
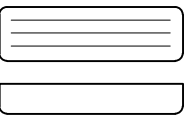
CEILING FAN



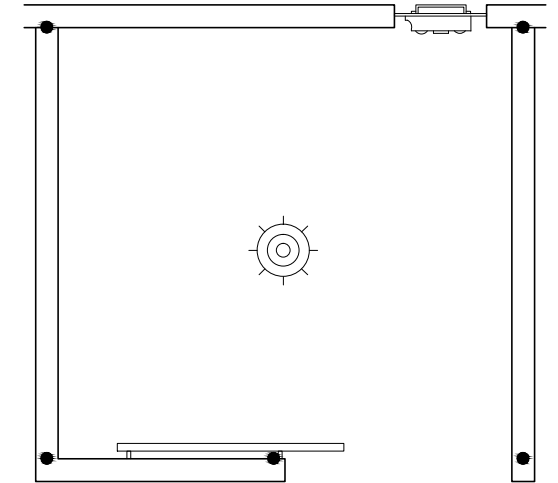
EXHAUST FAN



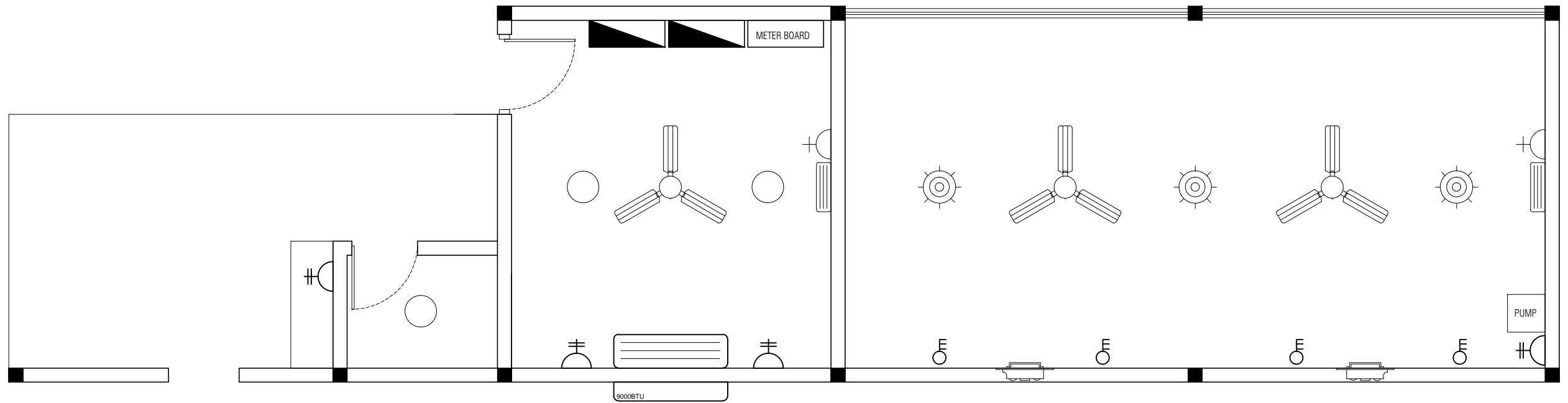
AC WITH OUTLET



COMPOST SCREENING AND STORAGE AREA



HAZARDOUS WASTE AND STORE



EQUIPMENT ROOM, OFFICE AND STAFF QUARTERS ELECTRICAL PLAN

APPROVED BY

PROJECT

DESIGN BY

AMENDMENTS

CONSTRUCTION OF WASTE MANAGEMENT CENTRE
TH. KINBIDHOO

AFRAZ

TITLE
ELECTRICAL PLAN

STRUCTURE BY

AFRAZ

CLIENT DEPARTMENT
WMPC DEPARTMENT

DRAWN BY

AFRAZ

PAPER SIZE A3
PAGE NO. 10

SCALE

1:150

DWG NO.

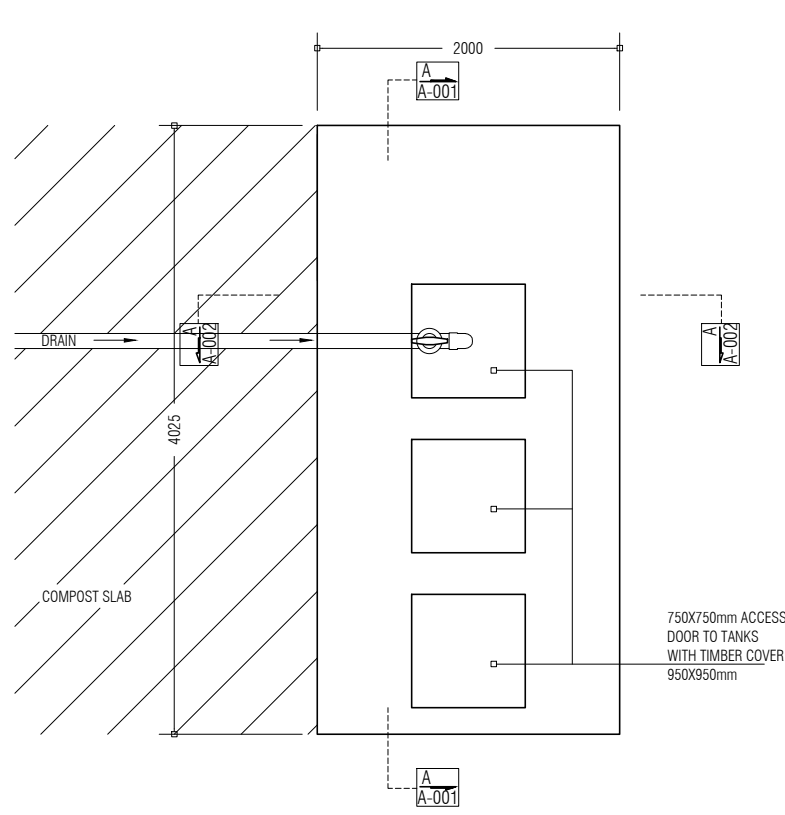
KINB-R3 A1-10

DATE

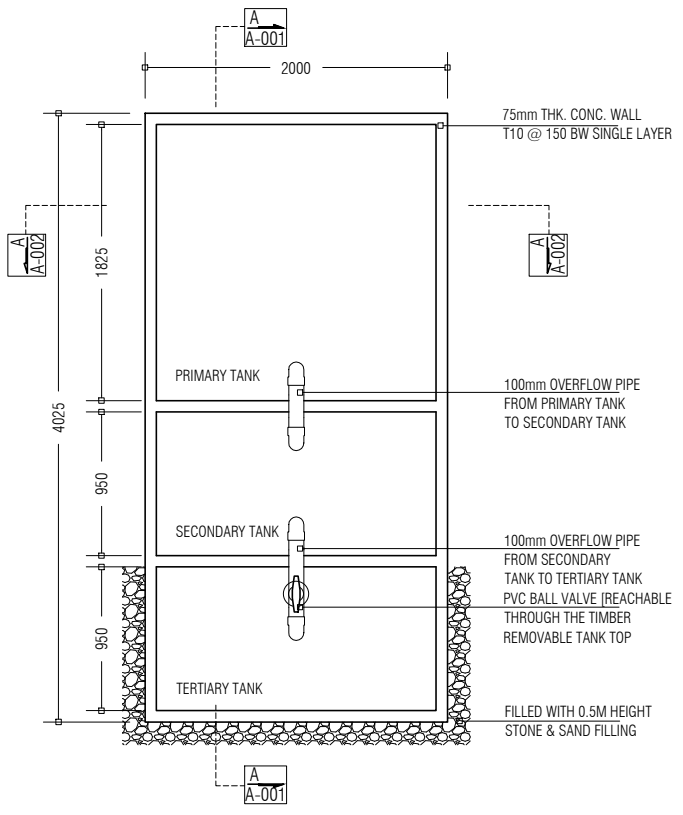
18.04.2018



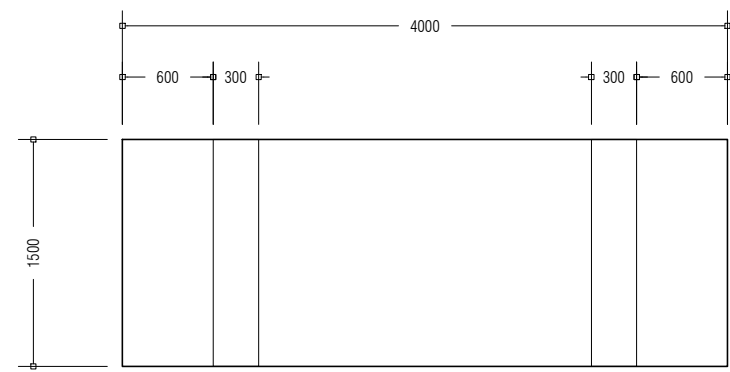
MCEP
MINISTRY OF ENVIROMENT AND ENERGY
GREEN BUILDING, HANDHUVAREE HIGUN,
MAAFANNU, MALE' (20392), REPUBLIC OF MALDIVES.
TEL: +960-3018431, +960-3018300, FAX: +960-328301



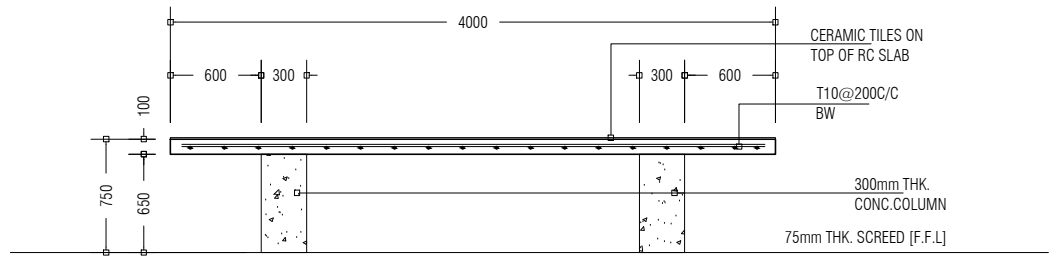
LEACHATE WELL TOP PLAN



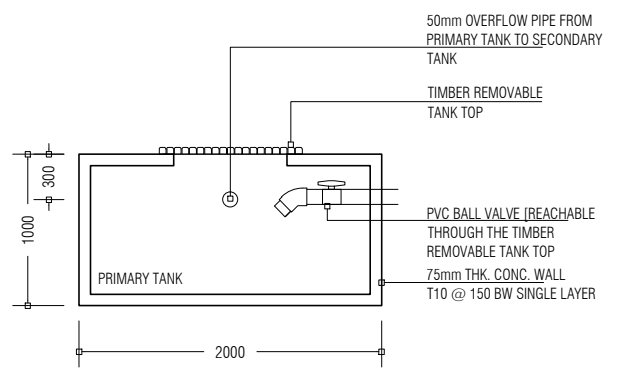
PLAN



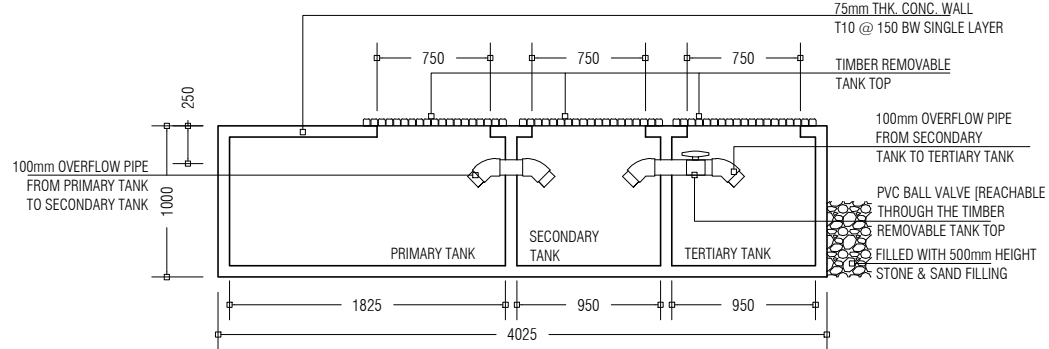
SORTING PLATFORM: TOP VIEW



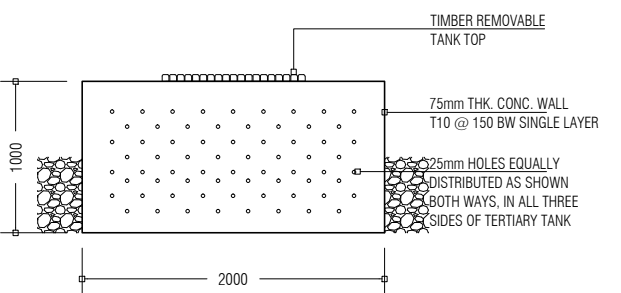
SORTING PLATFORM: FRONT VIEW



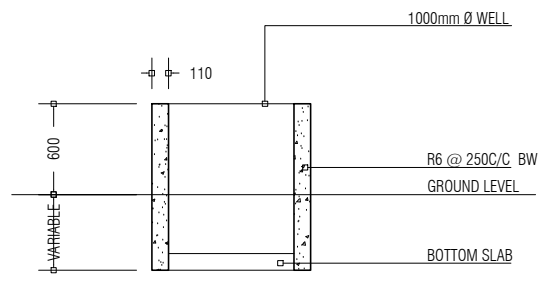
A-002



A-001



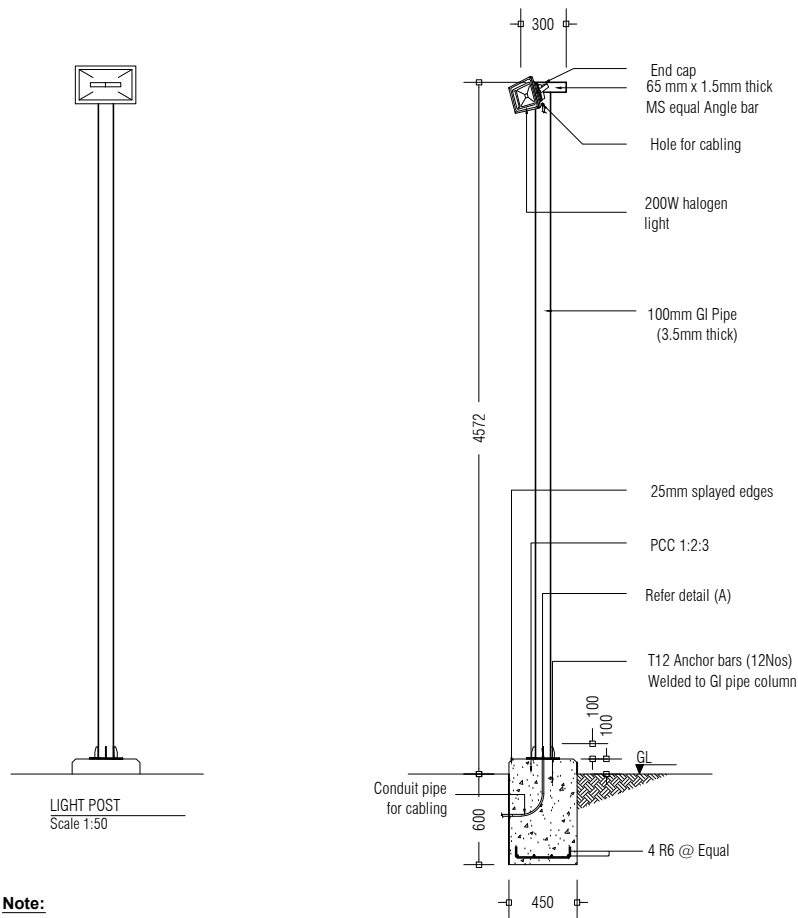
TERTIARY TANK SIDE VIEW



GROUND WATER WELL

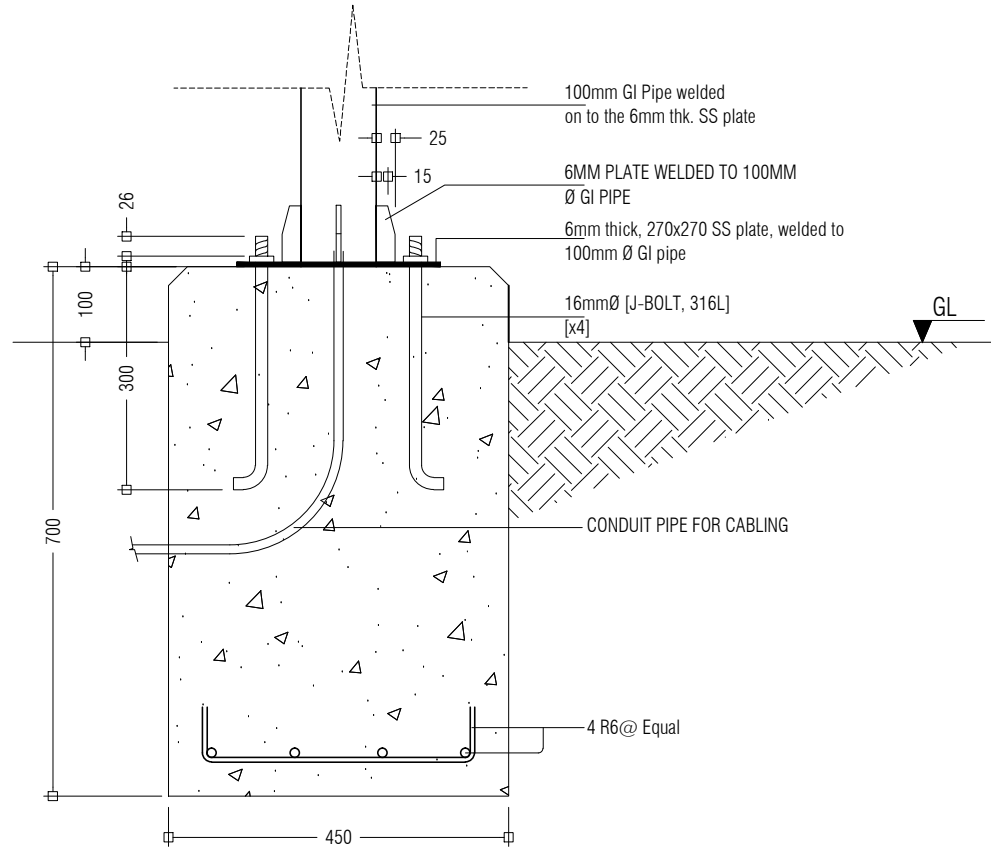
| APPROVED BY | PROJECT | DESIGN BY | AMENDMENTS |
|-------------|---|----------------------|------------|
| | CONSTRUCTION OF WASTE MANAGEMENT CENTRE TH. KINBIDHOO | AFRAZ | |
| | TITLE | STRUCTURE BY | |
| | LEACHATE WELL [PLAN, SECTION, ELEVATION], GROUND WATER WELL SORTING PLATFORM [PLAN, ELEVATION] | AFRAZ | |
| | CLIENT DEPARTMENT | DRAWN BY | |
| | WMPC DEPARTMENT | AFRAZ | |
| | PAPER SIZE A3 | SCALE 1:50 | |
| | PAGE NO. 11 | DWG NO. KIN-R3 A1-11 | |
| | | DATE 18.04.2018 | |



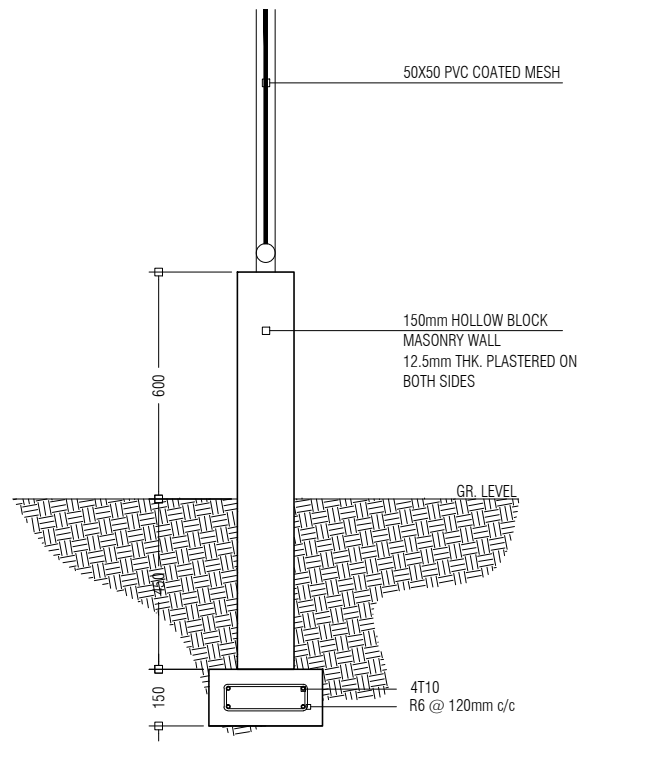


Note:
 * Concrete cover: 50mm
 * GI pipe to be painted with 1 coat of sealer & 2 coats of finishing paint. (Sigma, maroon colour)

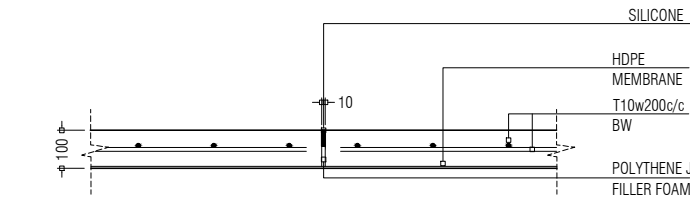
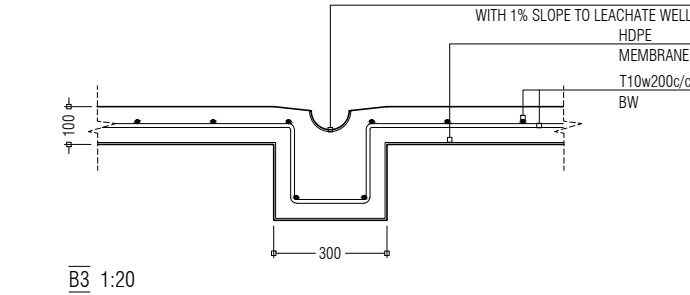
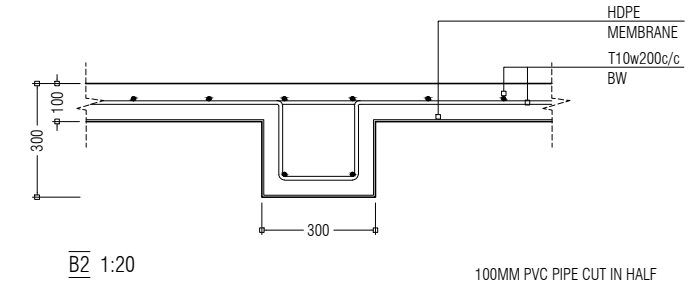
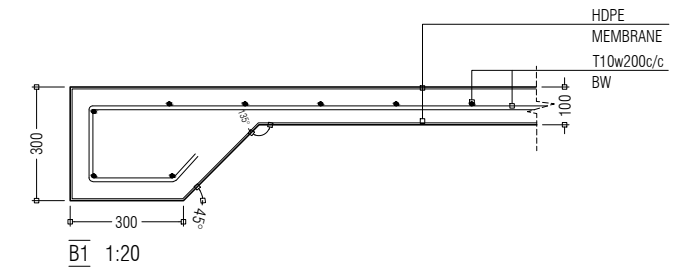
LIGHT POST DETAIL
Scale 1:50



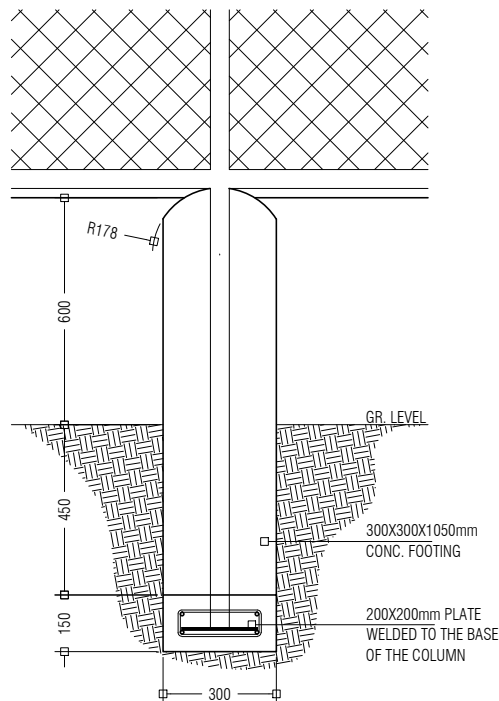
LIGHT POST FOUNDATION FOOTING DETAIL 1:10



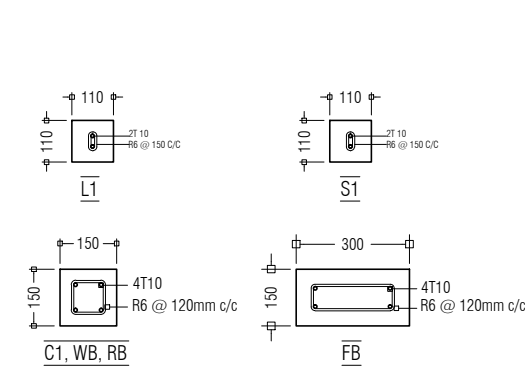
PERIMETER FENCE WALL FOUNDATION DETAIL



COMPOST BED SLAB DETAIL 1:20

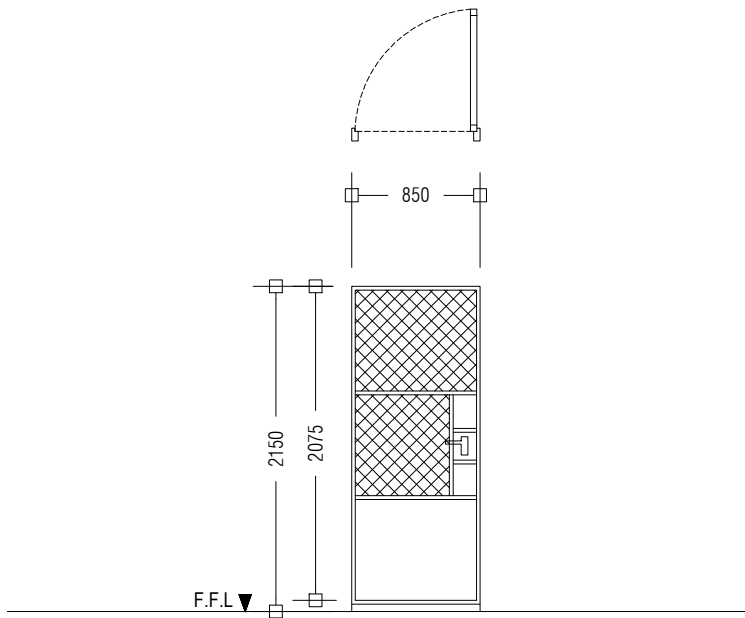
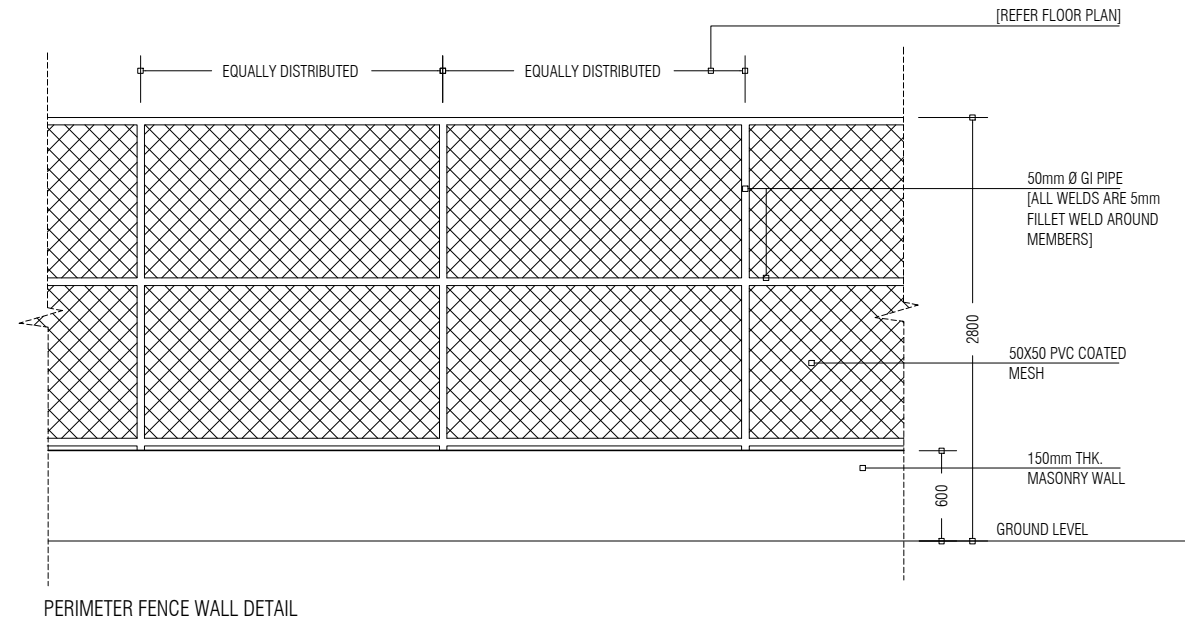
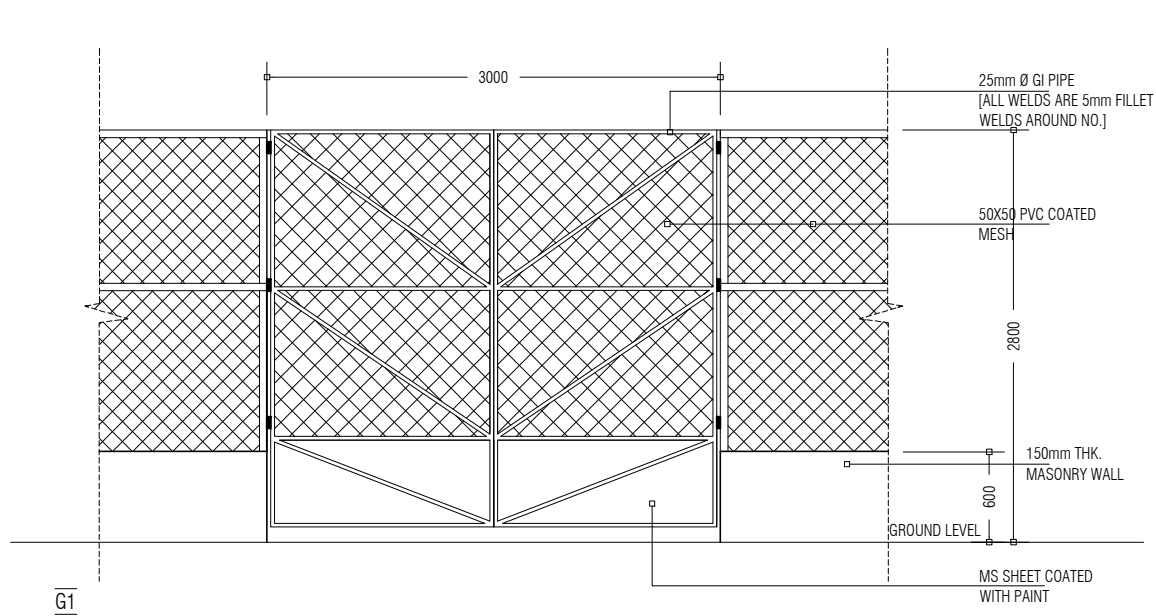


PERIMETER FENCE FOUNDATION DETAIL



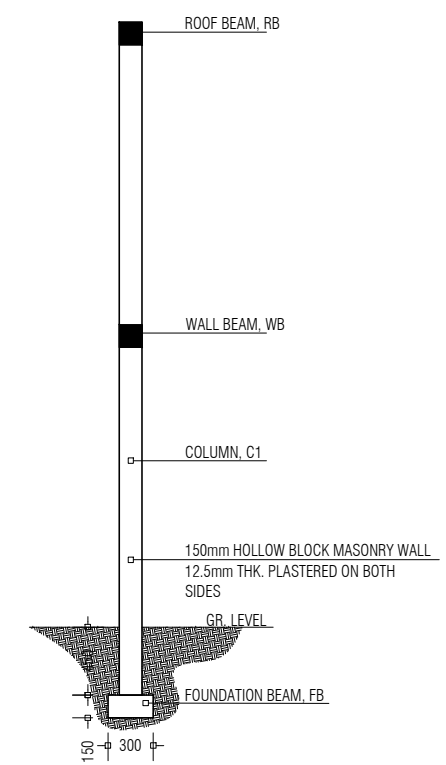
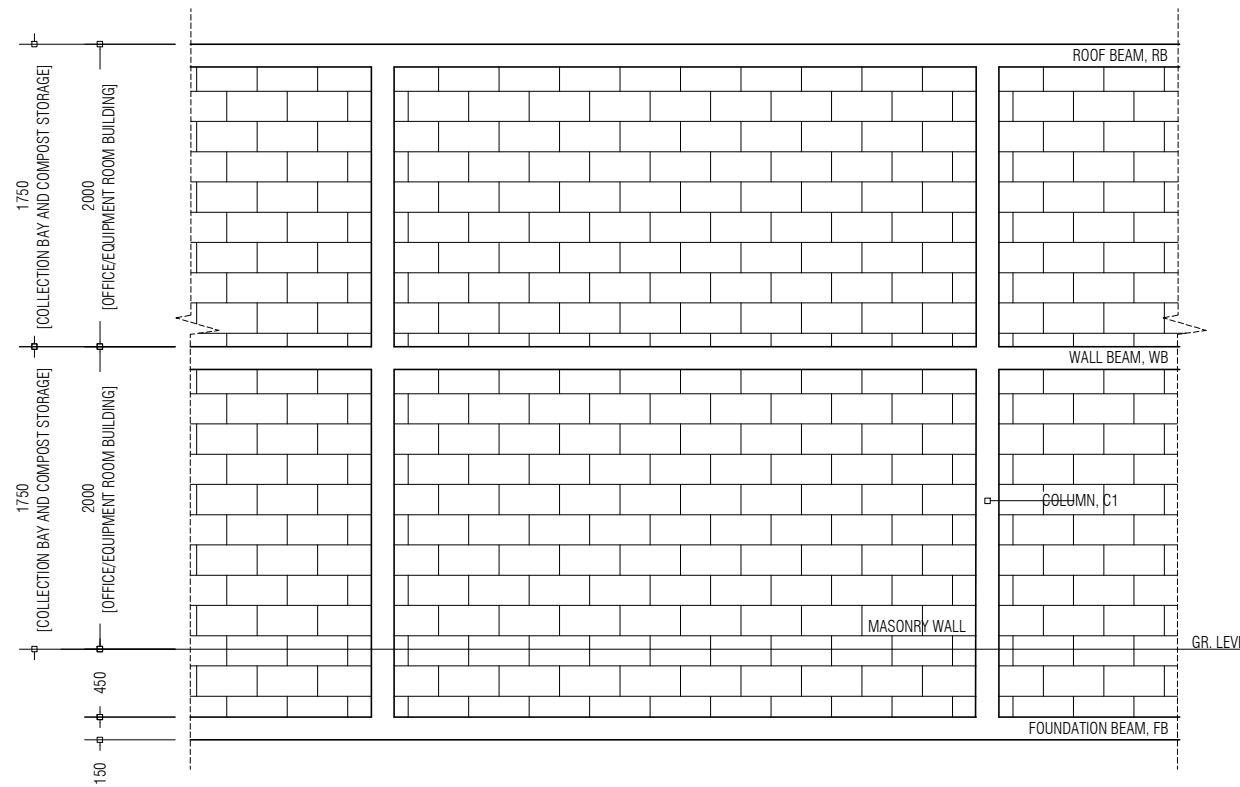
COLUMN AND BEAM DETAILS

| APPROVED BY | PROJECT | DESIGN BY | AMENDMENTS |
|-------------|--|--------------|------------------|
| | CONSTRUCTION OF WASTE MANAGEMENT CENTRE TH. KINBIDHOO | AFRAZ | |
| | TITLE | STRUCTURE BY | |
| | DETAILS | AFRAZ | |
| | CLIENT DEPARTMENT | DRAWN BY | |
| | WMPC DEPARTMENT | AFRAZ | |
| PAPER SIZE | A3 | SCALE | 1:50, 1:20, 1:10 |
| PAGE NO. | 12 | DWG NO. | KINB-R3 A1-12 |
| | | DATE | 18.04.2018 |



| | |
|-----------|--|
| D1 | SWING TYPE GATE |
| REMARKS | GI PIPE (50MM) FRAMED GATE WITH PVC COATED WIRE MESH AND MS SHEET COATED WITH PAINT, GI PIPE TWO COAT PAINTED 01 DOOR KNOB WITH LOCK SET 04 HINGES |
| LOCATION | GROUND FLOOR |
| QUANTITY | NO.S 01 |
| OPEN AREA | 1.83 m ² |

NOTE:
ALL WELDS FOR THE
GI MEMBERS ARE
5mm FILLET WELDS

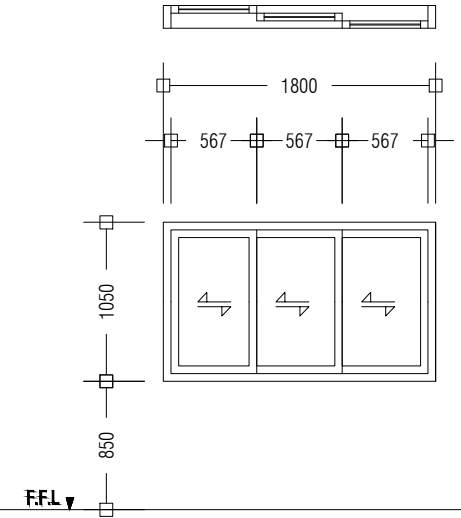
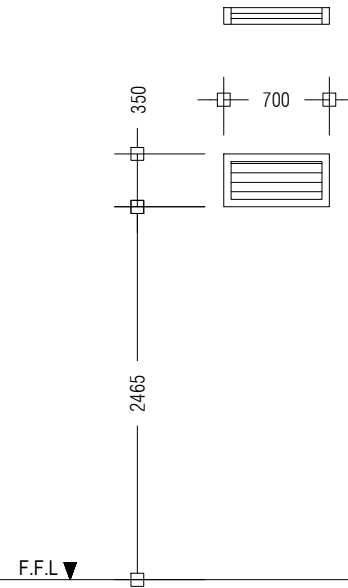
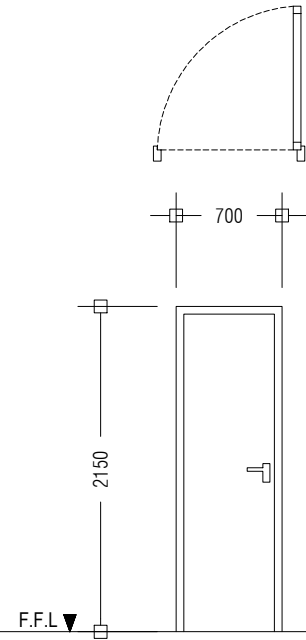
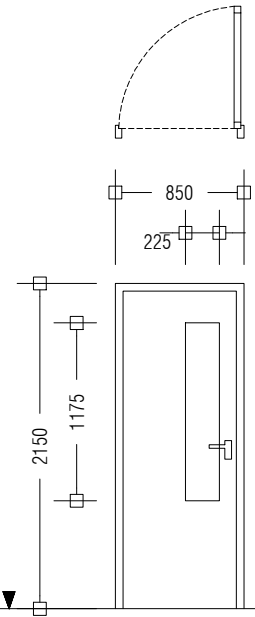


BUILDINGS WALL ELEVATION

BUILDINGS WALL DETAIL

| | | | |
|-------------|--|-----------------------|------------|
| APPROVED BY | PROJECT | DESIGN BY | AMENDMENTS |
| | CONSTRUCTION OF WASTE MANAGEMENT CENTRE TH. KINBIDHOO | AFRAZ | |
| | TITLE | STRUCTURE BY | |
| | GATE SCHEDULE, FENCING DETAIL, WALL DETAIL | AFRAZ | |
| | CLIENT DEPARTMENT | DRAWN BY | |
| | WMPC DEPARTMENT | AFRAZ | |
| | PAPER SIZE A3 | SCALE 1:50 | |
| | PAGE NO. 13 | DWG NO. KINB-R3 A1-13 | |
| | | DATE 18.04.2018 | |



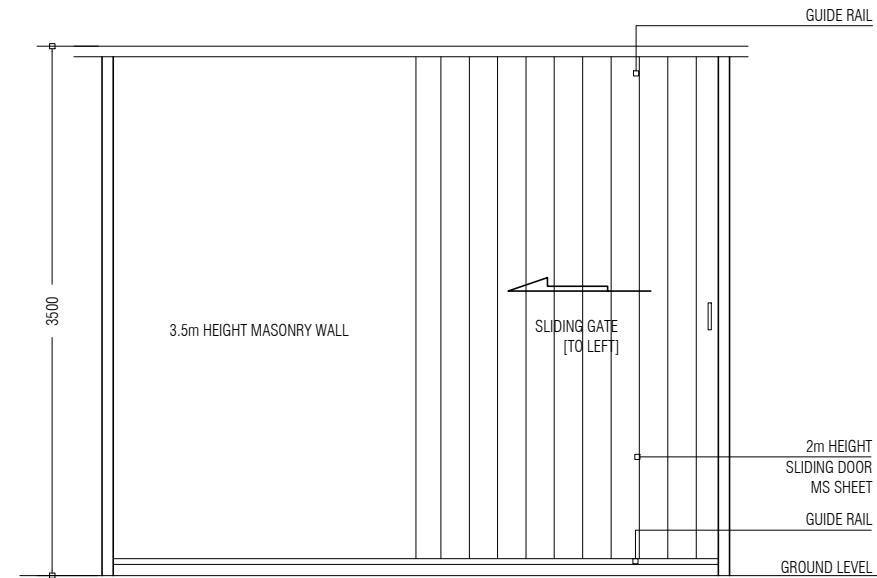


| | |
|-----------|---|
| D2 | SWING TYPE DOOR |
| REMARKS | ALUMINUM DOOR WITH CLEAR GLASS PANEL 01 DOOR KNOB WITH LOCK SET 04 HINGES DOOR STOPPER, FINISHED WITH WHITE COATED PAINT |
| LOCATION | GROUND FLOOR |
| QUANTITY | NO.S 01 |
| OPEN AREA | 1.83 m ² |

| | |
|-----------|--|
| D3 | SWING TYPE DOOR |
| REMARKS | ALUMINIUM DOOR WITH DOOR KNOB AND 1 LOCK SET |
| LOCATION | GROUND FLOOR |
| QUANTITY | NO.S 07 |
| OPEN AREA | 1.51m ² |

| | |
|-----------|---|
| W1 | ALUMINIUM LOUVER WINDOW |
| REMARKS | ALUMINUM FRAMED, ALUMINIUM LOUVERED, FINISHED WITH WHITE COATED PAINT |
| LOCATION | GROUND FLOOR |
| QUANTITY | NO.S 1 |
| OPEN AREA | 0.15 m ² |

| | |
|-----------|---|
| W2 | ALUMINIUM SLIDING WINDOW |
| REMARKS | ALUMINUM FRAMED, TINTED BLACK GLASS, FINISHED WITH TIMBER POWDER COATED PAINT |
| LOCATION | GROUND FLOOR |
| QUANTITY | NO.S 02 |
| OPEN AREA | 1.89 m ² |



EQUIPMENT ROOM RSD

HAZADIOUS WASTE SD1

APPROVED BY

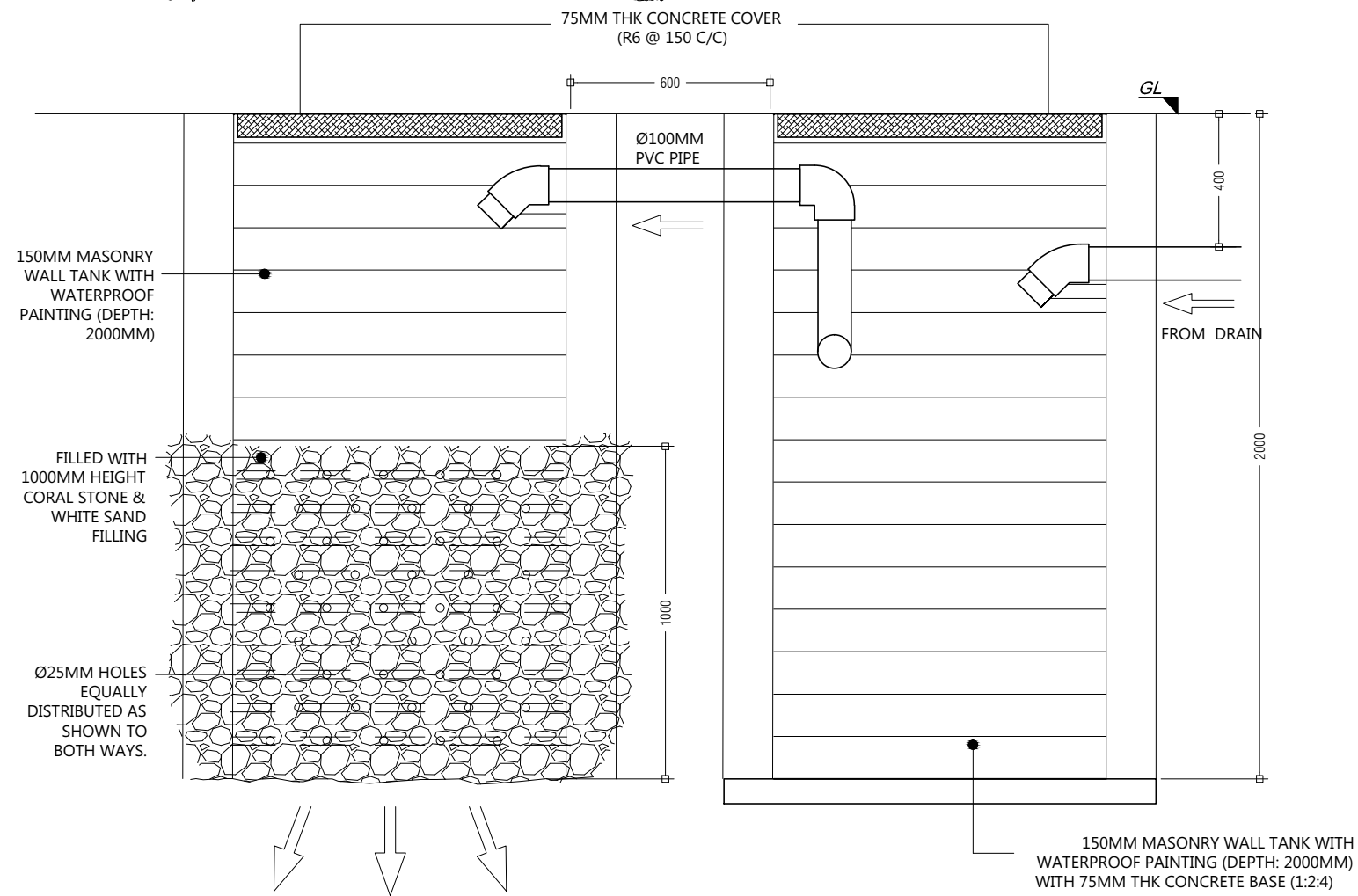
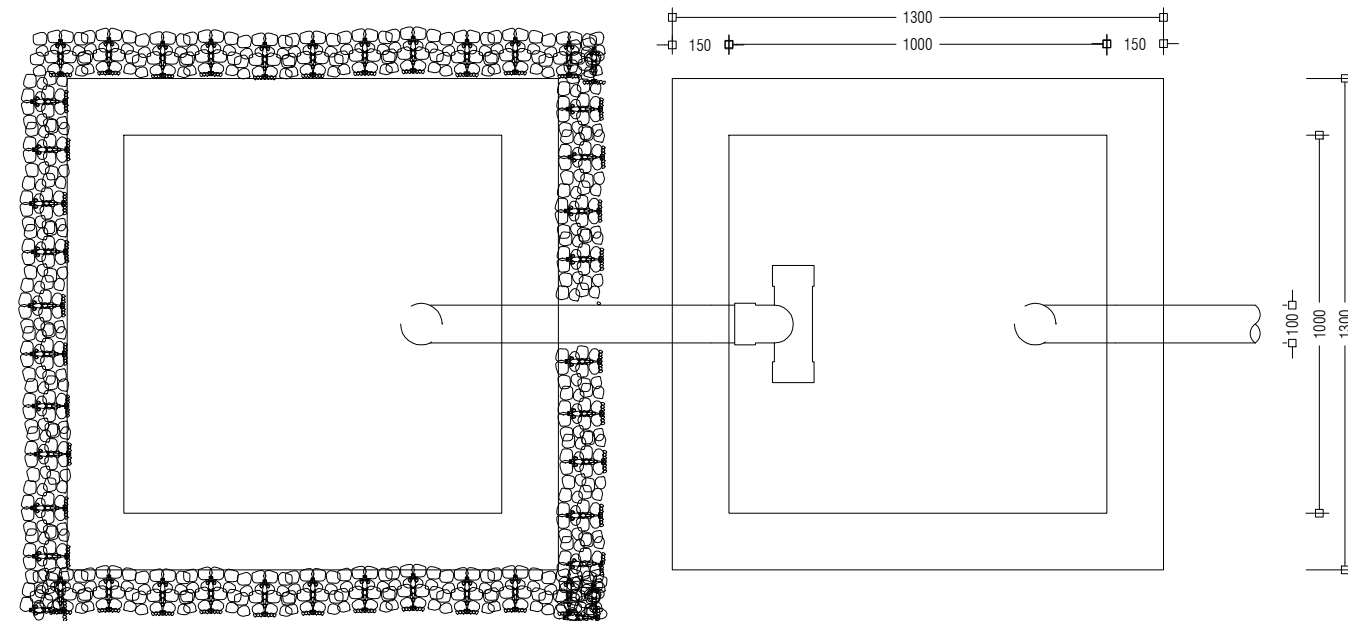
| | |
|-------------------|--|
| PROJECT | CONSTRUCTION OF WASTE MANAGEMENT CENTRE TH. KINBIDHOO |
| TITLE | DOOR AND WINDOW SCHEDULE |
| CLIENT DEPARTMENT | WMPC DEPARTMENT |
| PAPER SIZE | A3 |
| PAGE NO. | 14 |

| | |
|--------------|---------------|
| DESIGN BY | AFRAZ |
| STRUCTURE BY | AFRAZ |
| DRAWN BY | AFRAZ |
| SCALE | 1:50 |
| DWG NO. | KINB-R3 A1-14 |
| DATE | 18.04.2018 |

AMENDMENTS



MCEP
MINISTRY OF ENVIROMENT AND ENERGY
GREEN BUILDING, HANDHUVAREE HIGUN,
MAAFANNU, MALE' (20392), REPUBLIC OF MALDIVES.
TEL: +960-3018431, +960-3018300, FAX: +960-328301



APPROVED BY

PROJECT
CONSTRUCTION OF WASTE MANAGEMENT CENTRE
TH. KINBIDHOO

DESIGN BY
AFRAZ

AMENDMENTS

TITLE
SEPTIC TANK DETAILS

STRUCTURE BY
AFRAZ

CLIENT DEPARTMENT
WMPC DEPARTMENT

DRAWN BY
AFRAZ

PAPER SIZE A3

SCALE 1:20

PAGE NO. 15

DWG NO. KINB-R3 A1-15

DATE 05.06.2018



MCEP
MINISTRY OF ENVIROMENT AND ENERGY
GREEN BUILDING, HANDHUVAREE HIGUN,
MAAFANNU, MALE' (20392), REPUBLIC OF MALDIVES.
TEL: +960-3018431, +960-3018300, FAX: +960-328301