

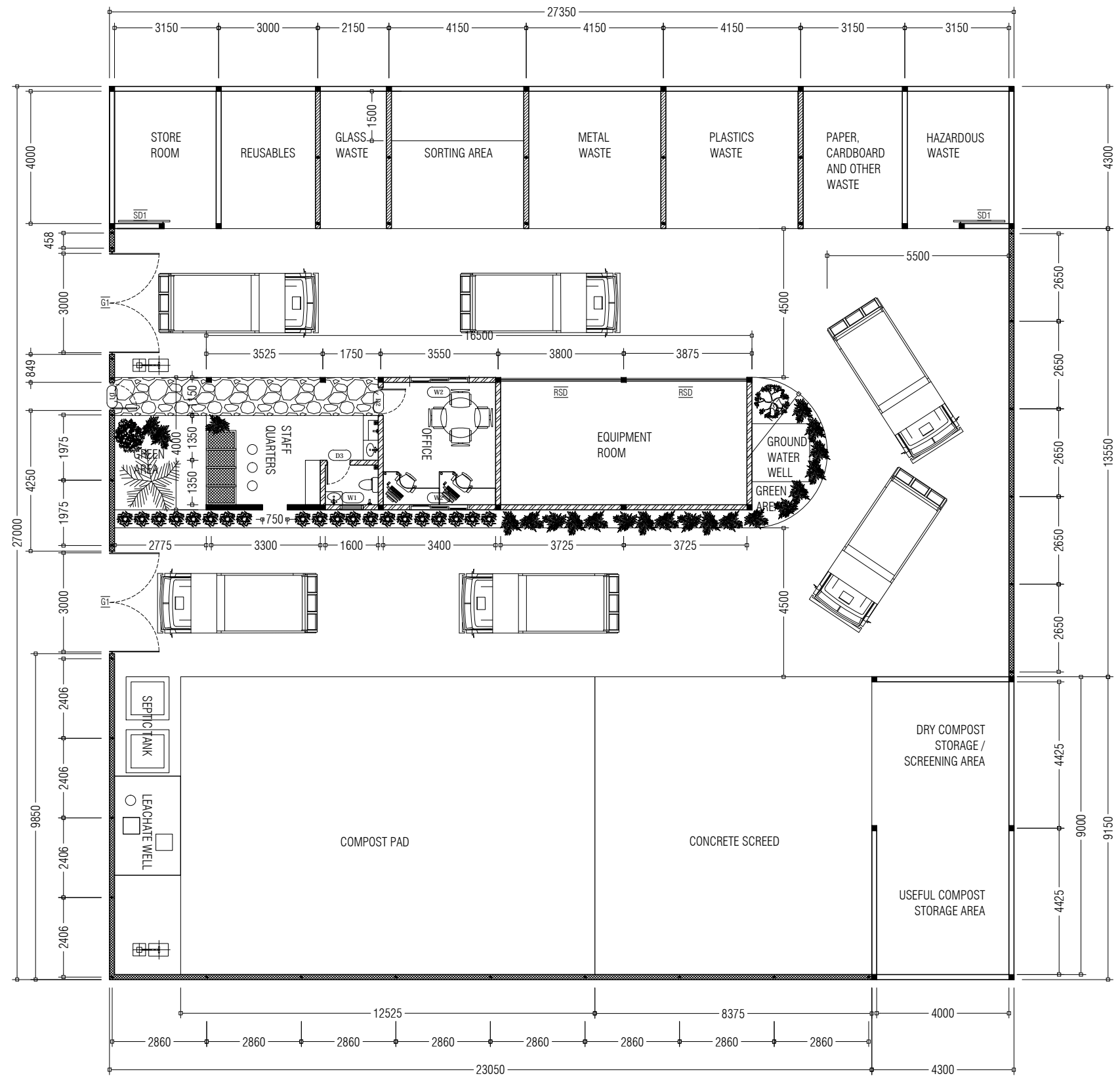
# CONSTRUCTION OF TH. MADIFUSHI ISLAND WASTE MANAGEMENT CENTRE




PREPARED BY:  
MALDIVES CLEAN ENVIRONMENT PROJECT  
MINISTRY OF ENVIRONMENT AND ENERGY

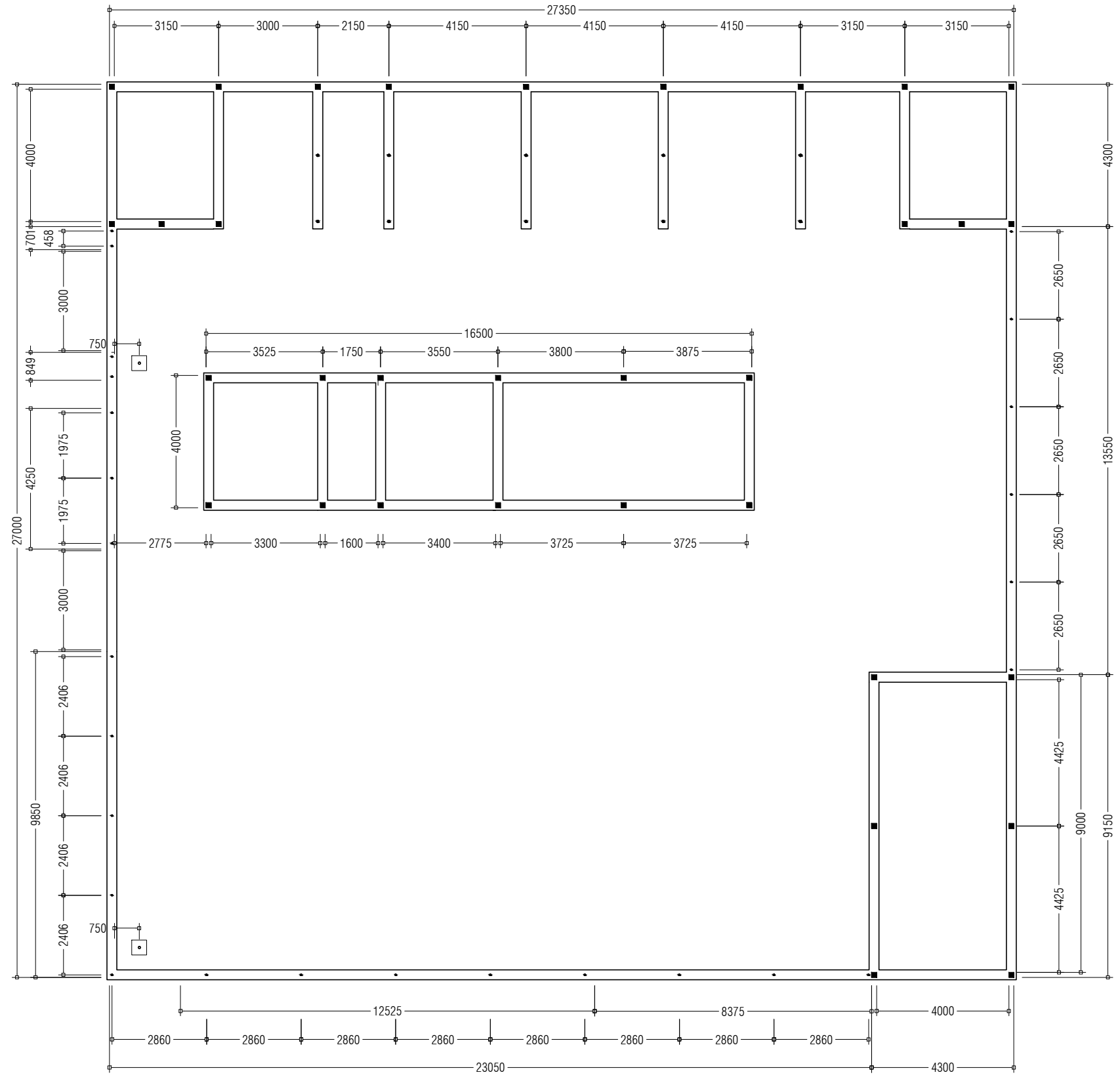
---

2018

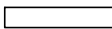





- NOTE:
- 750mm HEIGHT WALL [150mm HOLLOW BOCK]
  - 1500mm HEIGHT WALL [150mm HOLLOW BOCK]
  - 3500mm HEIGHT WALL [150mm HOLLOW BOCK]
  - 4000mm HEIGHT WALL [150mm HOLLOW BOCK]
  - PERIMETER FENCE [150mm HOLLOW BOCK]

APPROVED BY	PROJECT	DESIGN BY	AMENDMENTS
 <p>MCEP MINISTRY OF ENVIROMENT AND ENERGY GREEN BUILDING, HANDHUVAREE HIGUN, MAAFANNU, MALE (20392), REPUBLIC OF MALDIVES, TEL: +960-3018431, +960-3018300, FAX: +960-328301</p>	CONSTRUCTION OF WASTE MANAGEMENT CENTRE TH. MADIFUSHI	AFRAZ	SEPTIC TANK ADDED
	TITLE	STRUCTURE BY	
	FLOOR PLAN	AFRAZ	
	CLIENT DEPARTMENT WMPC DEPARTMENT	DRAWN BY AFRAZ	
	PAPER SIZE A3 PAGE NO. 01	SCALE 1:150 DWG NO. MADI-R4 A1-01 DATE 05.06.2018	



NOTE:

-  FOUNDATION BEAMS [300mm width]
-  COLUMN, C1 [150X150mm]
-  COLLECTION BAY FOOTING [300X300mm]
-  LAMP POST FOOTING [450X450mm]

APPROVED BY

PROJECT  
CONSTRUCTION OF WASTE MANAGEMENT CENTRE  
TH. MADIFUSHI

DESIGN BY  
AFRAZ

AMENDMENTS



TITLE  
FOUNDATION BEAM PLAN

CLIENT DEPARTMENT  
WMPC DEPARTMENT

STRUCTURE BY  
AFRAZ

DRAWN BY  
AFRAZ

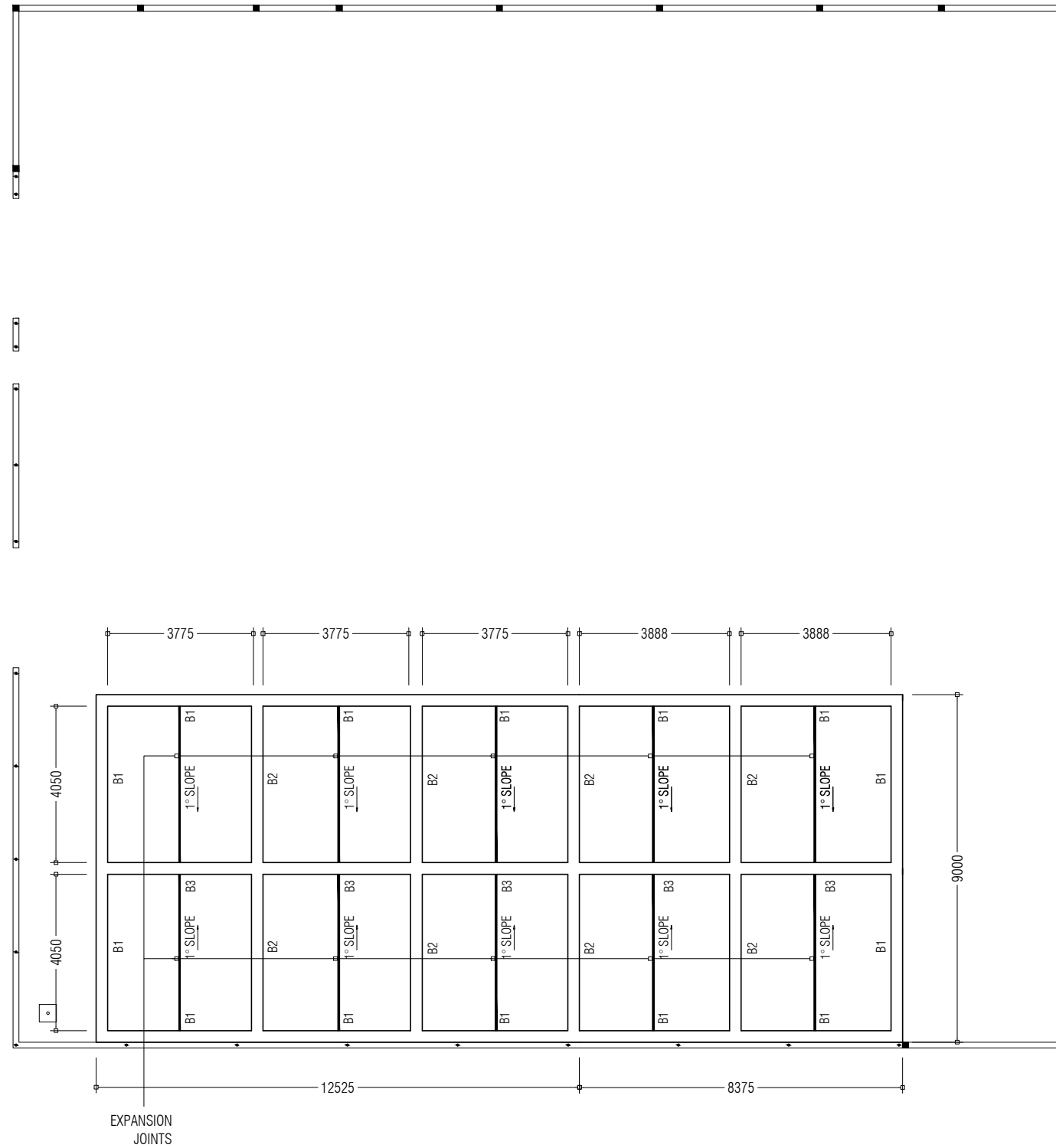
PAPER SIZE A3

PAGE NO. 02

SCALE 1:150

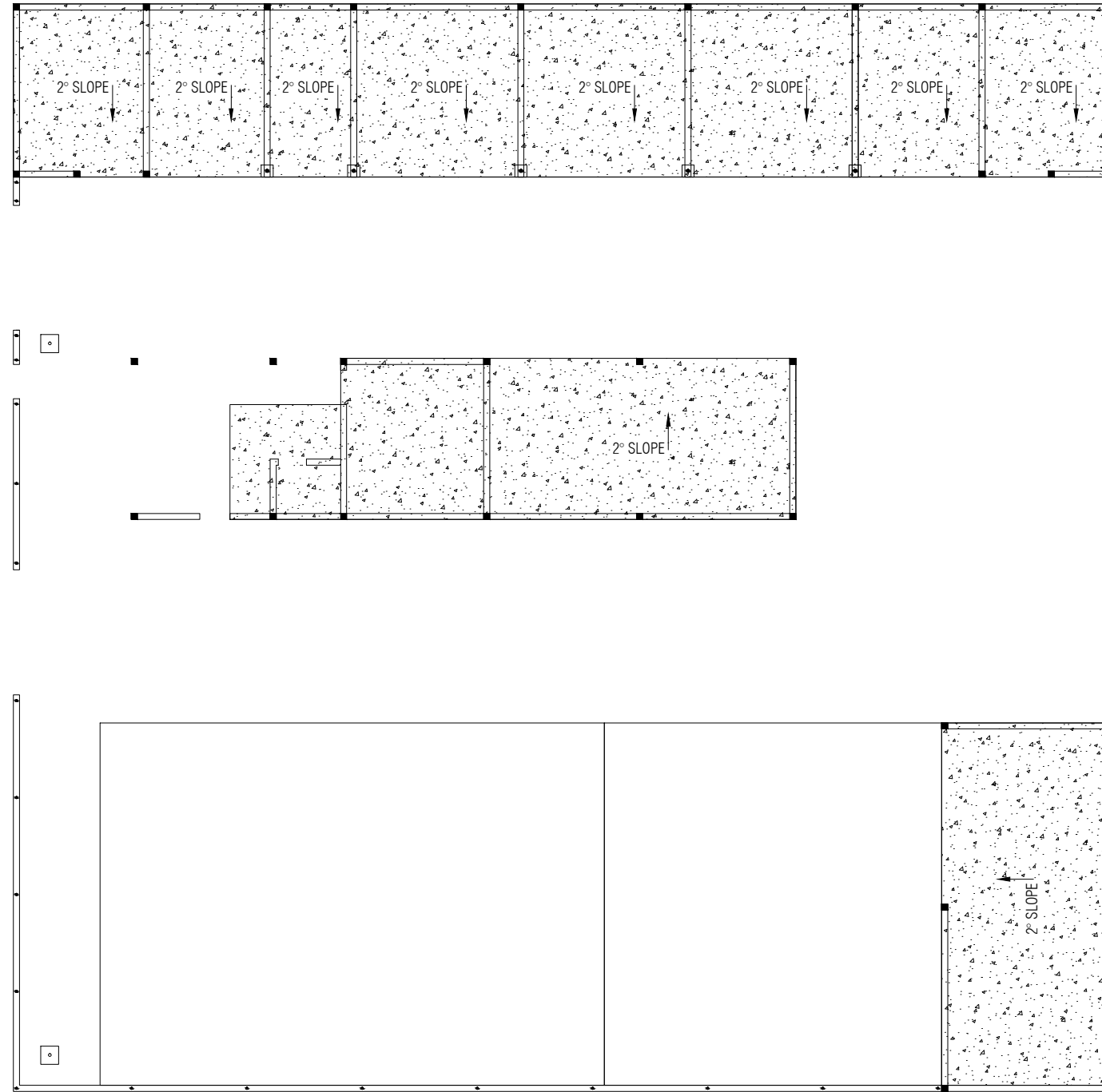
DWG NO. MADI-R3 A1-02

DATE 18.04.2018



APPROVED BY	PROJECT	DESIGN BY	AMENDMENTS
	CONSTRUCTION OF WASTE MANAGEMENT CENTRE TH. MADIFUSHI	AFRAZ	
	TITLE COMPOST PAD FOUNDATION BEAM PLAN	STRUCTURE BY AFRAZ	
	CLIENT DEPARTMENT WMPC DEPARTMENT	DRAWN BY AFRAZ	
	PAPER SIZE A3	SCALE 1:150	
	PAGE NO. 03	DWG NO. MADI-R3 A1-03	
		DATE 18.04.2018	





APPROVED BY

PROJECT

DESIGN BY

AMENDMENTS

CONSTRUCTION OF WASTE MANAGEMENT CENTRE  
TH. MADIFUSHI

AFRAZ

TITLE  
FLOOR SCREED PLAN

STRUCTURE BY

AFRAZ

CLIENT DEPARTMENT  
WMPC DEPARTMENT

DRAWN BY

AFRAZ

PAPER SIZE A3

SCALE 1:150

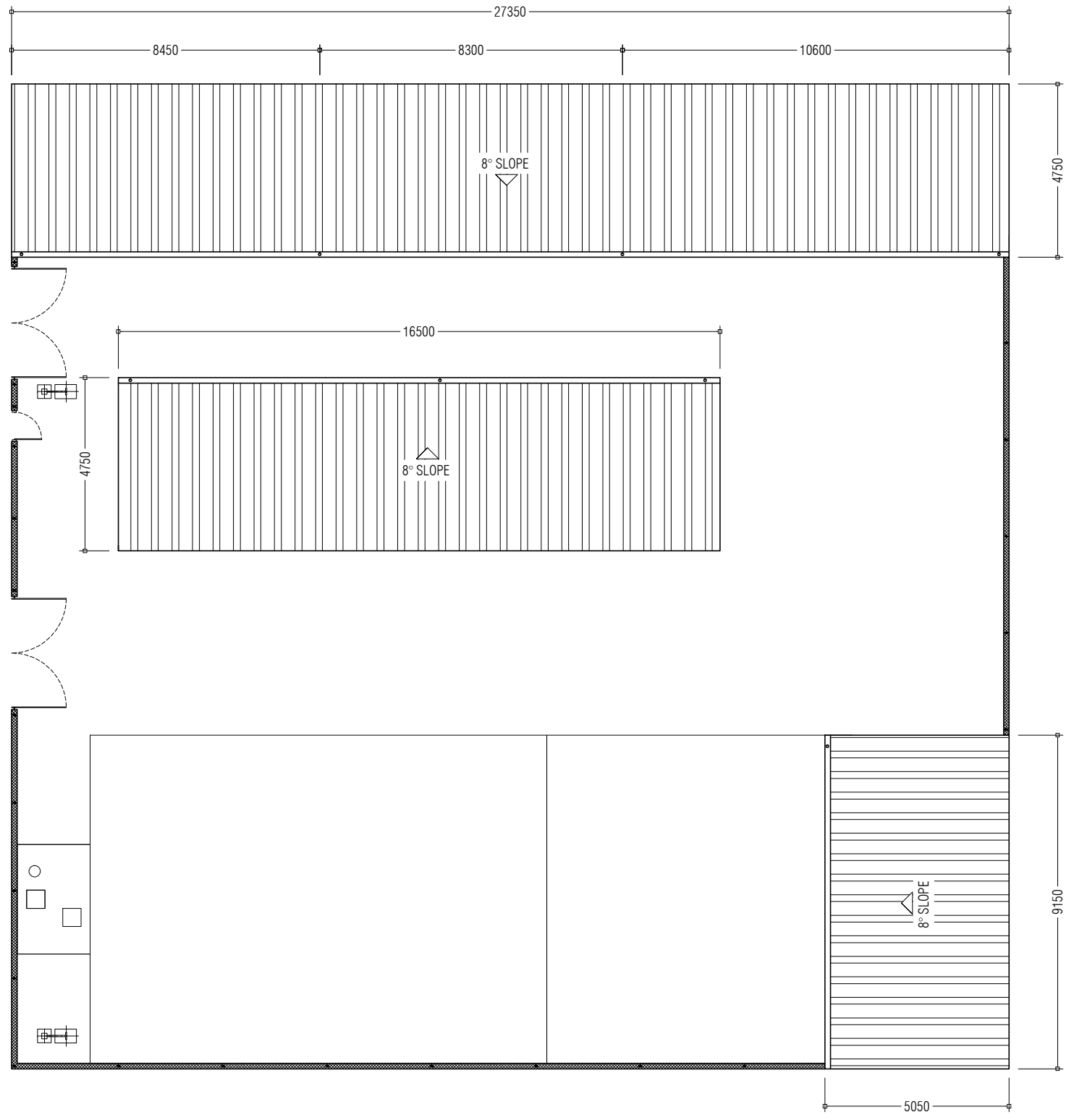
PAGE NO. 04

DWG NO. MADI-R3 A1-04

DATE 18.04.2018



MCEP  
MINISTRY OF ENVIROMENT AND ENERGY  
GREEN BUILDING, HANDHUVAREE HIGUN,  
MAAFANNU, MALE (20392), REPUBLIC OF MALDIVES,  
TEL: +960-3018431, +960-3018300, FAX: +960-328301



APPROVED BY

PROJECT  
CONSTRUCTION OF WASTE MANAGEMENT CENTRE  
TH. MADIFUSHI

DESIGN BY  
AFRAZ

AMENDMENTS

TITLE  
ROOF PLAN  
CLIENT DEPARTMENT  
WMPC DEPARTMENT

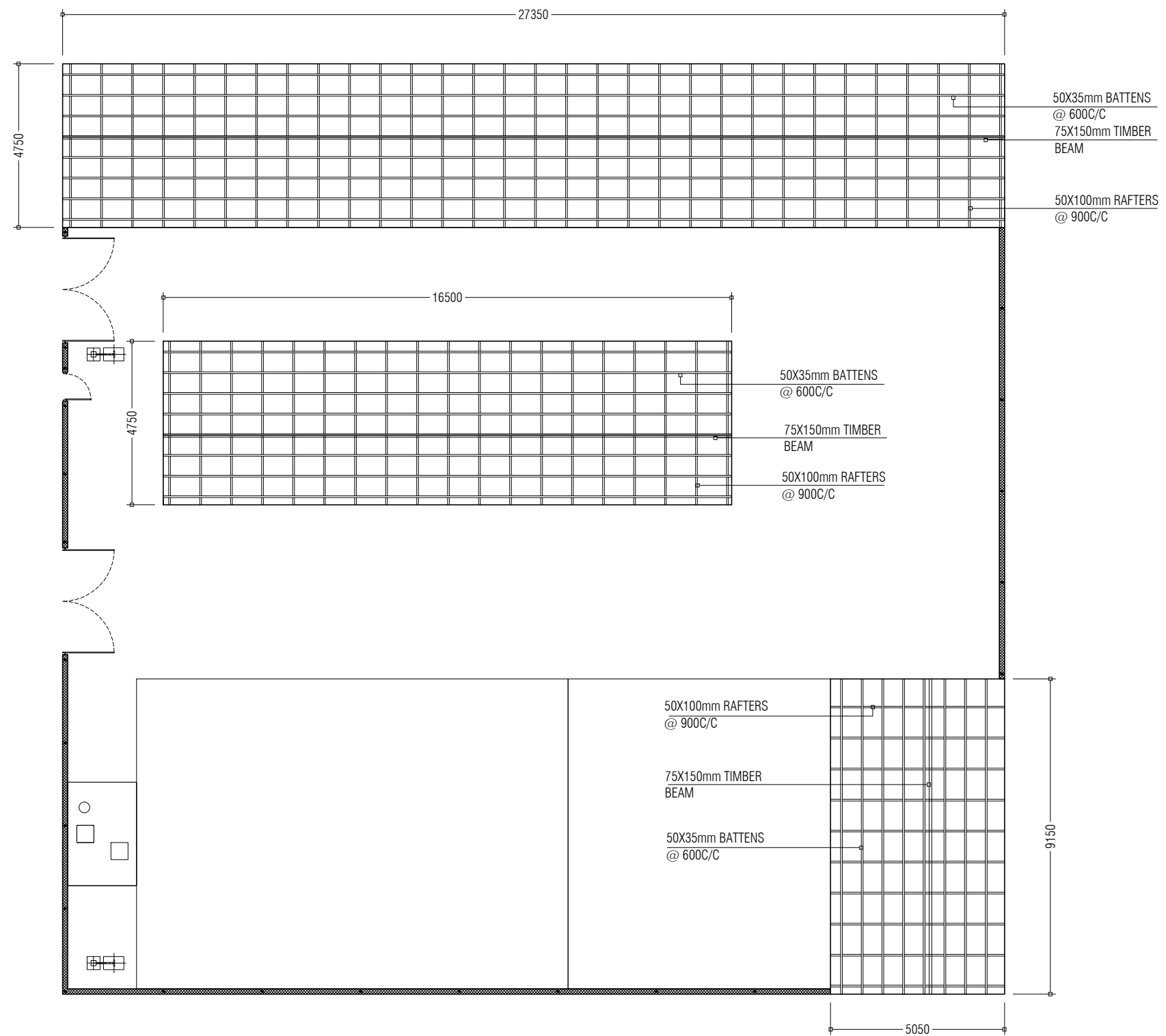
STRUCTURE BY  
AFRAZ  
DRAWN BY  
AFRAZ

PAPER SIZE A3  
PAGE NO. 05

SCALE 1:150  
DWG NO. MADI-R3 A1-05  
DATE 18.04.2018



MCEP  
MINISTRY OF ENVIROMENT AND ENERGY  
GREEN BUILDING, HANDHUVAREE HIGUN,  
MAAFANNU, MALÉ (20392), REPUBLIC OF MALDIVES.  
TEL: +960-3018431, +960-3018300, FAX: +960-328301



APPROVED BY

PROJECT

CONSTRUCTION OF WASTE MANAGEMENT CENTRE  
TH. MADIFUSHI

DESIGN BY

AFRAZ

AMENDMENTS

TITLE

ROOF FRAMING

STRUCTURE BY

AFRAZ

CLIENT DEPARTMENT

WMPC DEPARTMENT

DRAWN BY

AFRAZ

PAPER SIZE A3

PAGE NO. 06

SCALE

1:150

DWG NO.

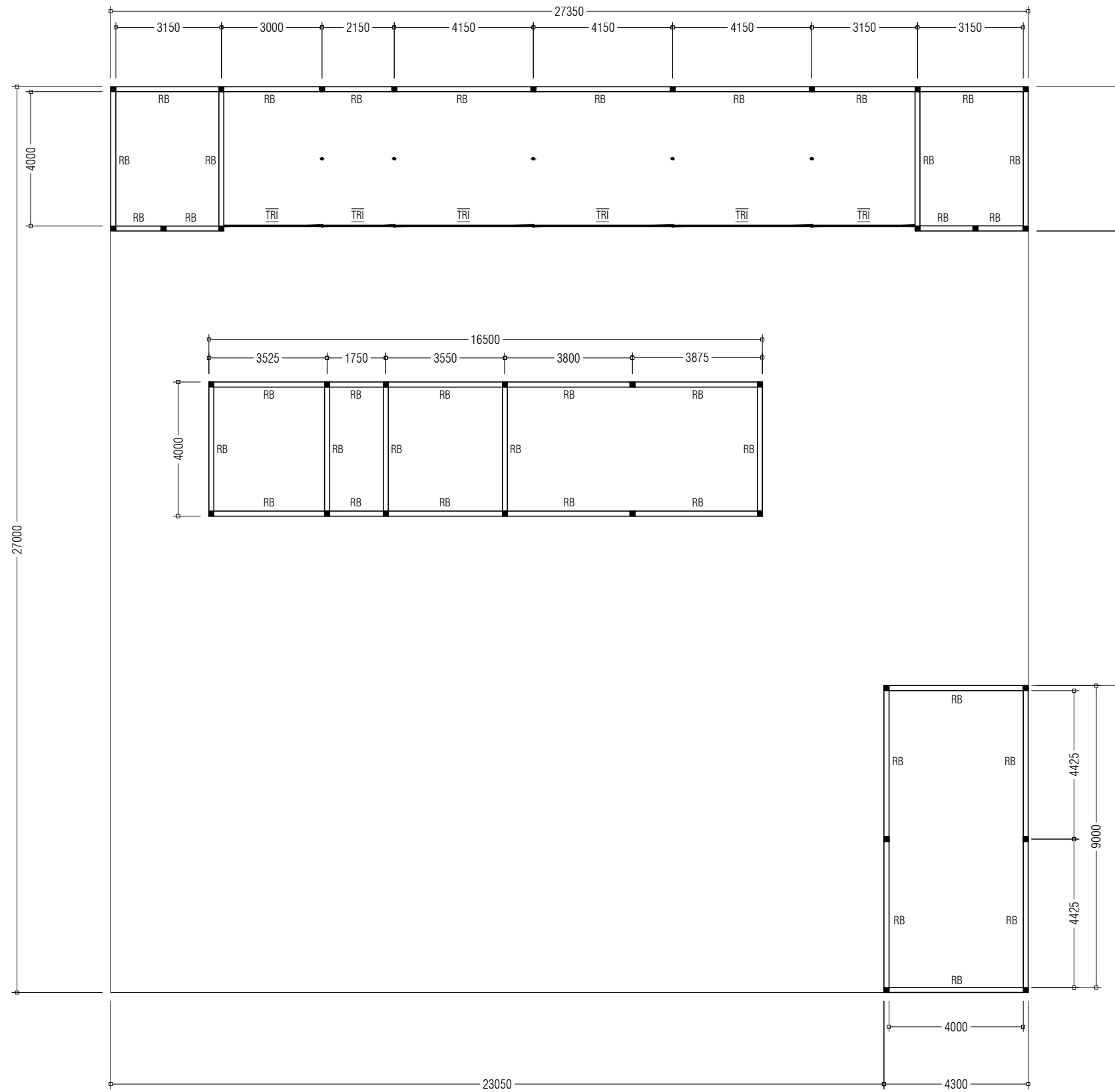
MADI-R3 A1-06

DATE

18.04.2018



MCEP  
MINISTRY OF ENVIROMENT AND ENERGY  
GREEN BUILDING, HANDHUVAREE HIGUN,  
MAAFANNU, MALE' (20392), REPUBLIC OF MALDIVES.  
TEL: +960-3018431, +960-3018300, FAX: +960-328301



APPROVED BY

PROJECT

DESIGN BY

AMENDMENTS

CONSTRUCTION OF WASTE MANAGEMENT CENTRE  
TH. MADIFUSHI

AFRAZ

TITLE  
ROOF BEAM PLAN

STRUCTURE BY

AFRAZ

CLIENT DEPARTMENT  
WMPC DEPARTMENT

DRAWN BY

AFRAZ

PAPER SIZE A3

SCALE 1:150

PAGE NO. 07

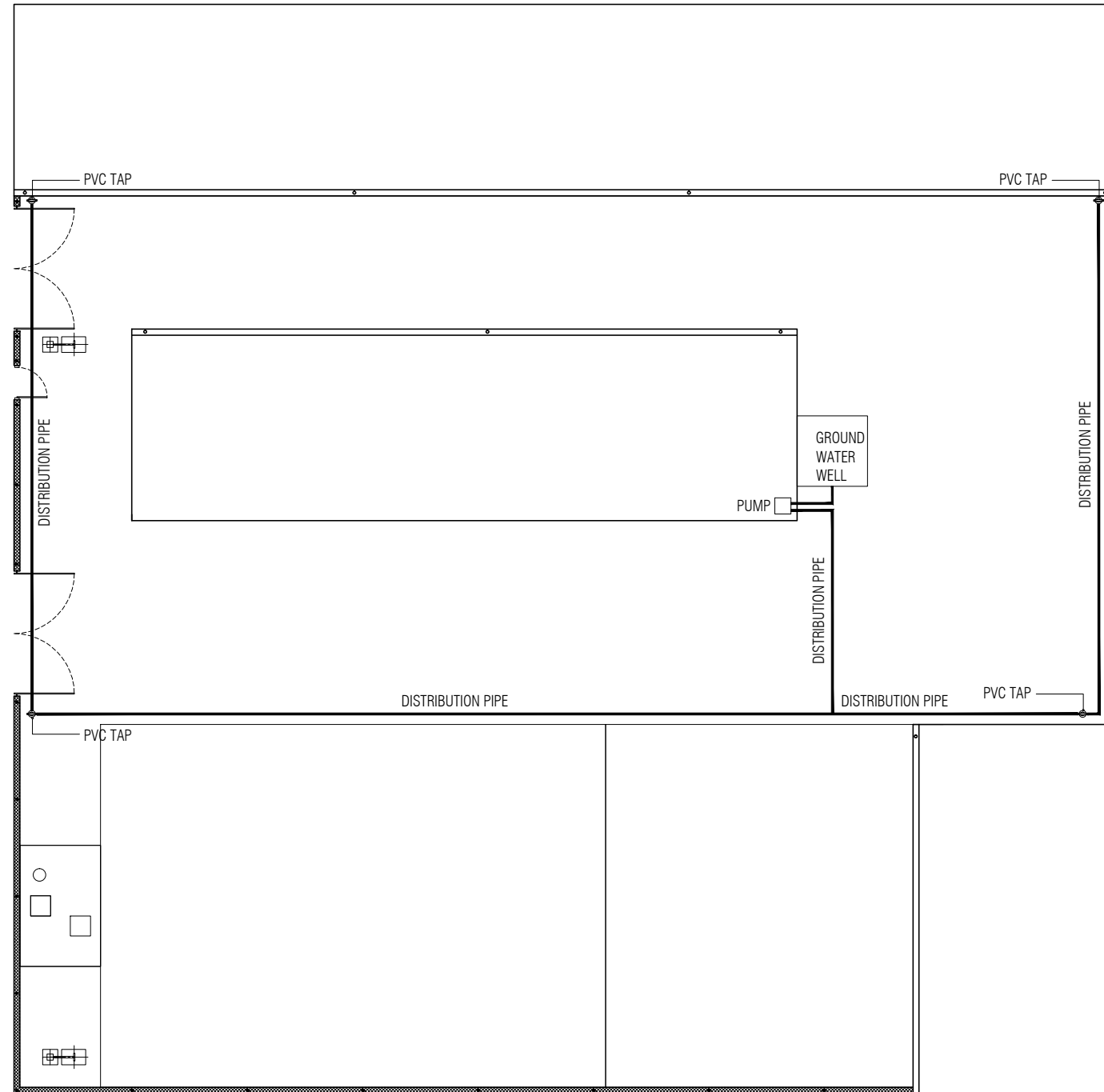
DWG NO. MADI-R3 A1-07

DATE 18.04.2018



MCEP  
MINISTRY OF ENVIROMENT AND ENERGY  
GREEN BUILDING, HANDHUVAREE HIGUN,  
MAAFANNU, MALE' (20392), REPUBLIC OF MALDIVES.  
TEL: +960-3018431, +960-3018300, FAX: +960-328301





APPROVED BY

PROJECT  
CONSTRUCTION OF WASTE MANAGEMENT CENTRE  
TH. MADIFUSHI

DESIGN BY  
AFRAZ

AMENDMENTS

TITLE  
ROOF BEAM PLAN

STRUCTURE BY  
AFRAZ

CLIENT DEPARTMENT  
WMPC DEPARTMENT

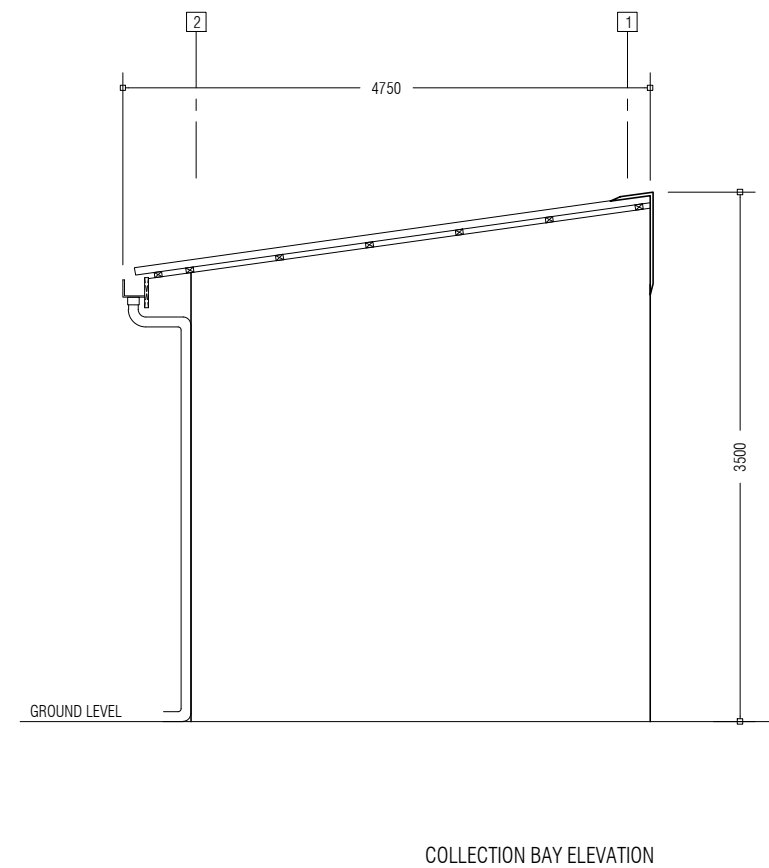
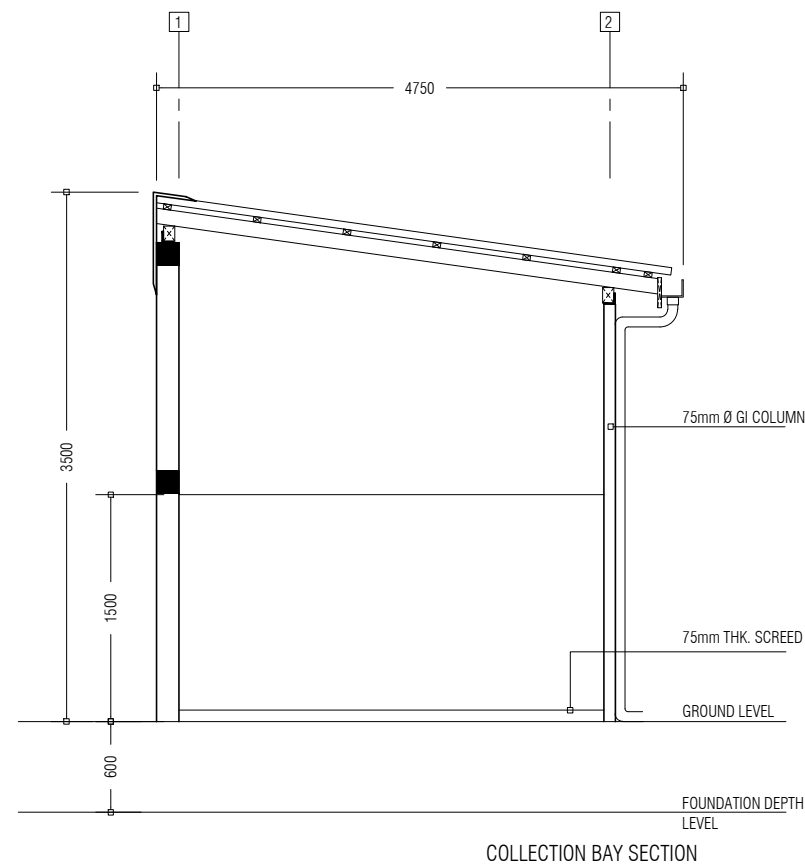
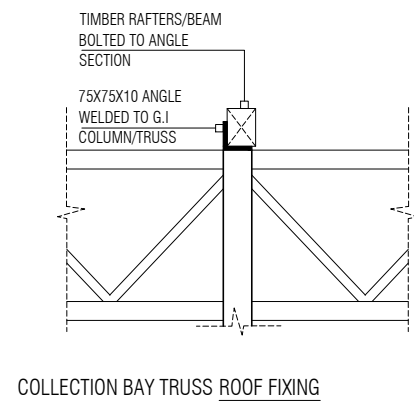
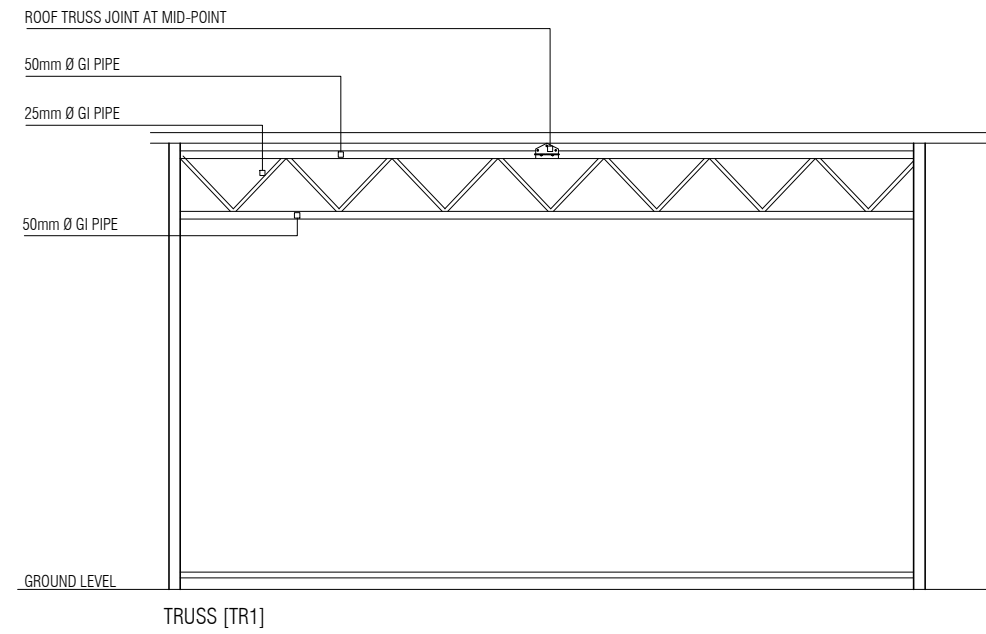
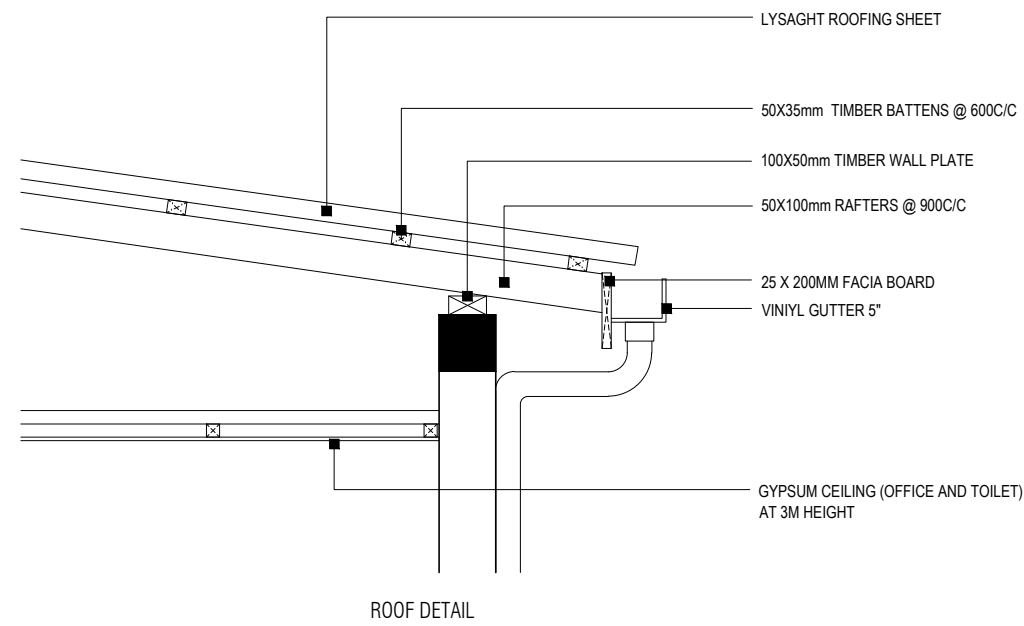
DRAWN BY  
AFRAZ

PAPER SIZE A3  
PAGE NO. 08

SCALE 1:150  
DWG NO. MADI-R3 A1-08  
DATE 18.04.2018



MCEP  
MINISTRY OF ENVIROMENT AND ENERGY  
GREEN BUILDING, HANDHUVAREE HIGUN,  
MAAFANNU, MALÉ (20392), REPUBLIC OF MALDIVES.  
TEL: +960-3018431, +960-3018300, FAX: +960-328301



APPROVED BY



MCEP  
MINISTRY OF ENVIROMENT AND ENERGY  
GREEN BUILDING, HANDHUVAREE HIGUN,  
MAAFANNU, MALE' (20392), REPUBLIC OF MALDIVES.  
TEL: +960-3018431, +960-3018300, FAX: +960-328301

PROJECT  
CONSTRUCTION OF WASTE MANAGEMENT CENTRE  
TH. MADIFUSHI

TITLE  
ELEVATIONS AND SECTIONS

CLIENT DEPARTMENT  
WMPC DEPARTMENT

PAPER SIZE A3  
PAGE NO. 09

DESIGN BY  
AFRAZ

STRUCTURE BY  
AFRAZ

DRAWN BY  
AFRAZ

SCALE 1:150  
DWG NO. MADI-R3 A1-09  
DATE 18.04.2018

AMENDMENTS

LEGEND

METER BOARD



DISTRIBUTION BOARDS



20W LED LIGHT (DAY LIGHT)



18W CEILING MOUNT LIGHT (WARM WHITE)



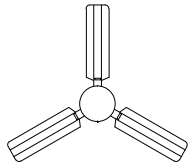
13AMP DOUBLE SOCKET



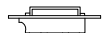
3 PHASE, 15A POWER POINTS (1.5m ABOVE GROUND)



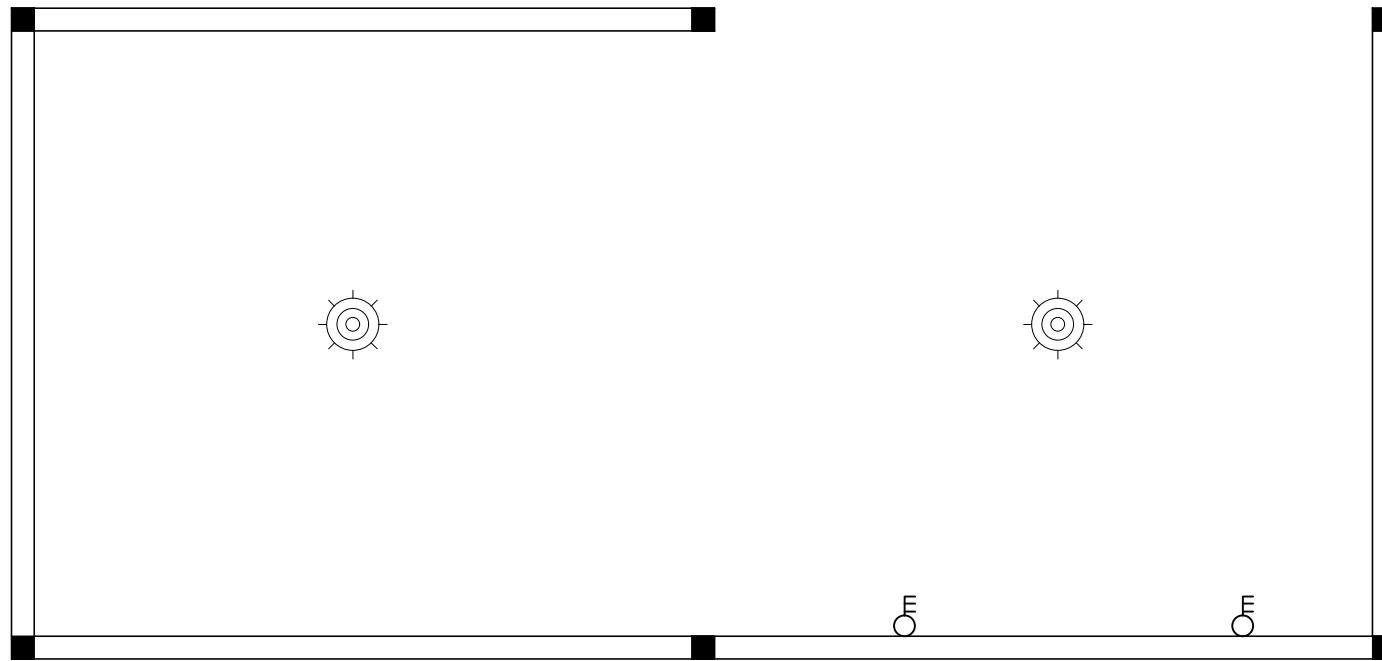
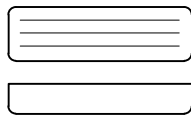
CEILING FAN



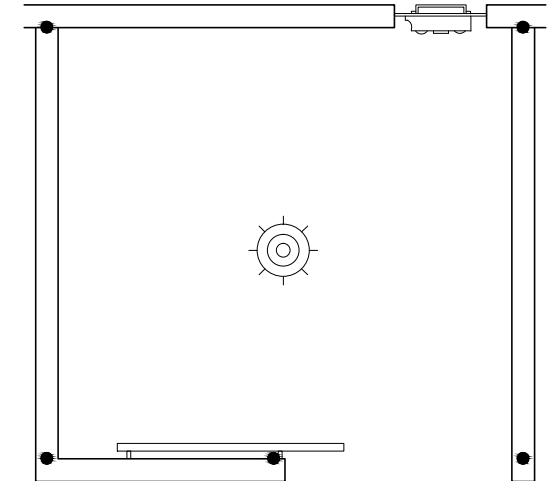
EXHAUST FAN



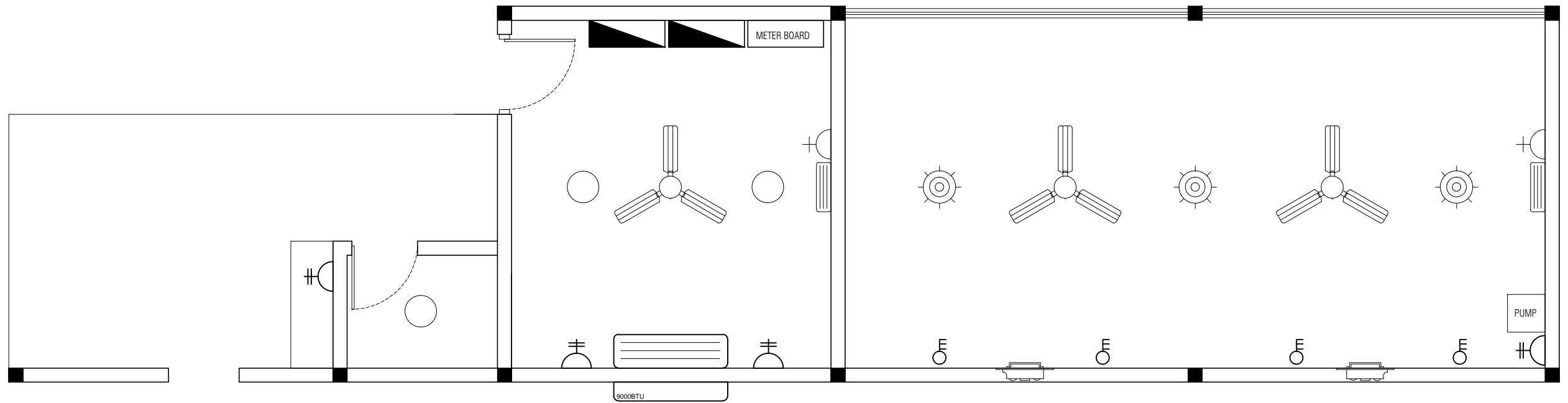
AC WITH OUTLET



COMPOST SCREENING AND STORAGE AREA



HAZARDOUS WASTE AND STORE



EQUIPMENT ROOM, OFFICE AND STAFF QUARTERS ELECTRICAL PLAN

APPROVED BY

PROJECT

DESIGN BY

AMENDMENTS

CONSTRUCTION OF WASTE MANAGEMENT CENTRE  
TH. MADIFUSHI

AFRAZ

TITLE  
ELECTRICAL PLAN

STRUCTURE BY

AFRAZ

CLIENT DEPARTMENT  
WMPC DEPARTMENT

DRAWN BY

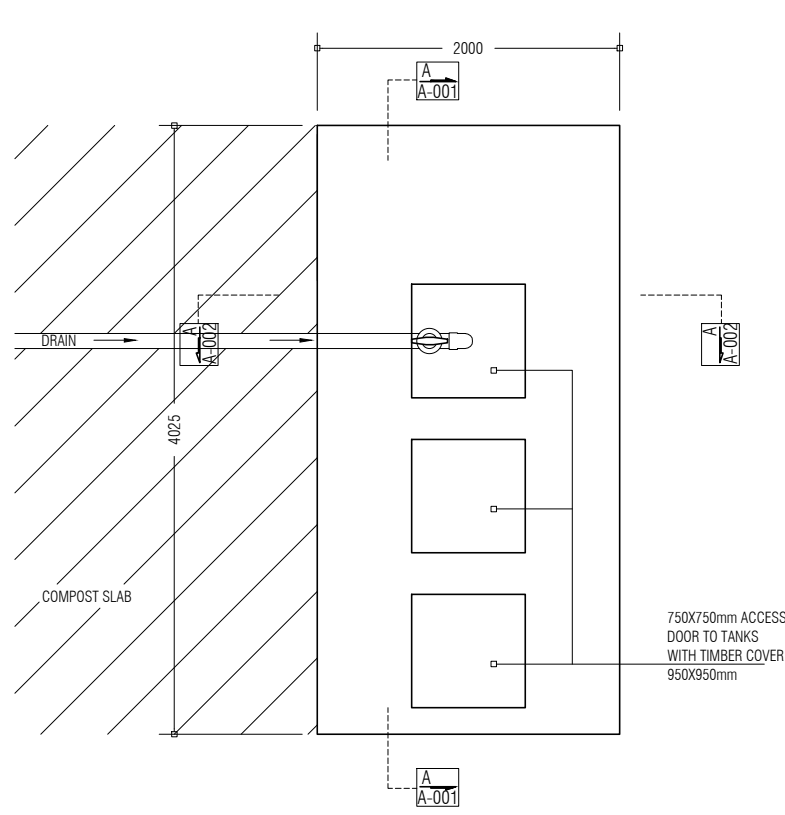
AFRAZ

PAPER SIZE A3  
PAGE NO. 10

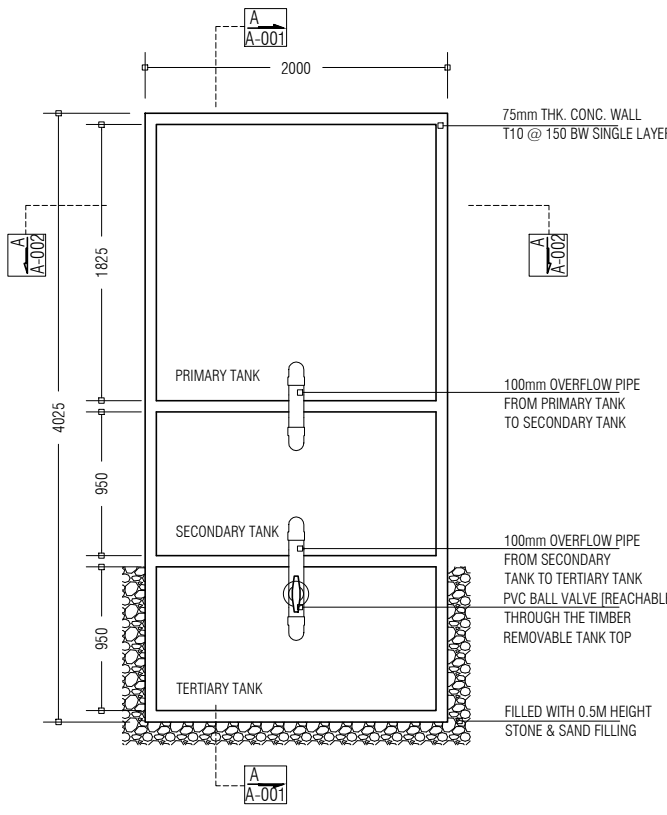
SCALE 1:150  
DWG NO. MADI-R3 A1-10  
DATE 18.04.2018



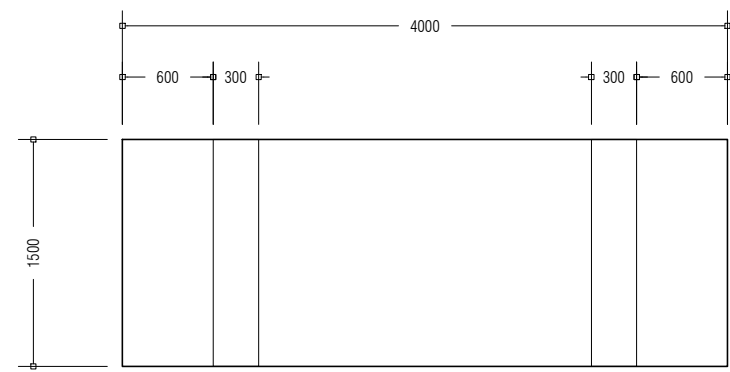
MCEP  
MINISTRY OF ENVIROMENT AND ENERGY  
GREEN BUILDING, HANDHUVAREE HIGUN,  
MAAFANNU, MALE' (20392), REPUBLIC OF MALDIVES.  
TEL: +960-3018431, +960-3018300, FAX: +960-328301



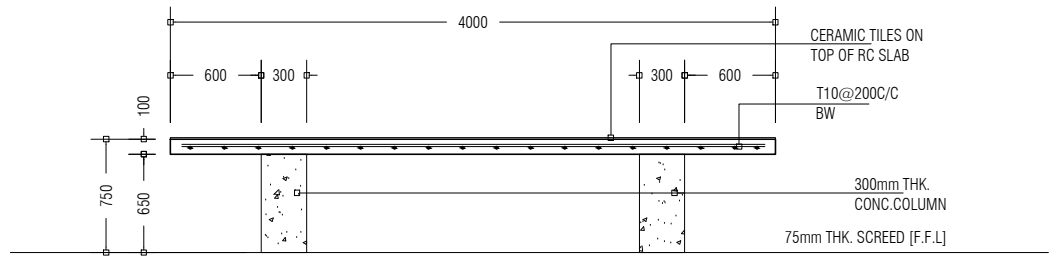
LEACHATE WELL TOP PLAN



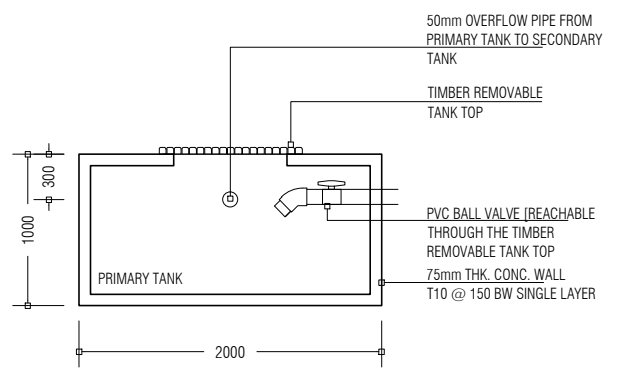
PLAN



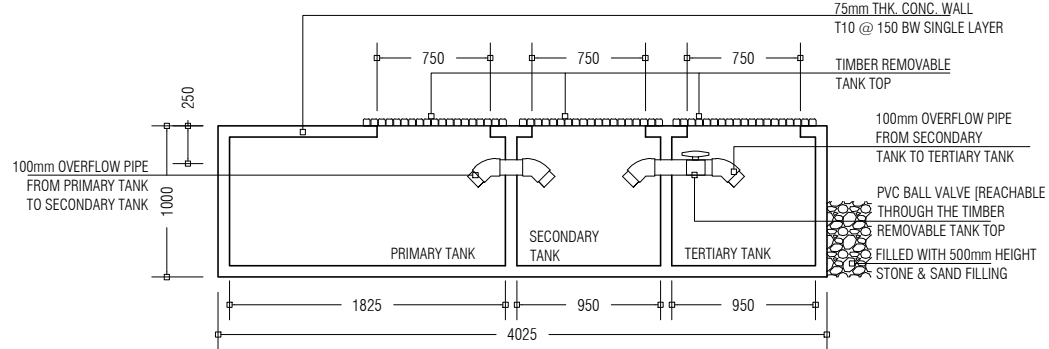
SORTING PLATFORM: TOP VIEW



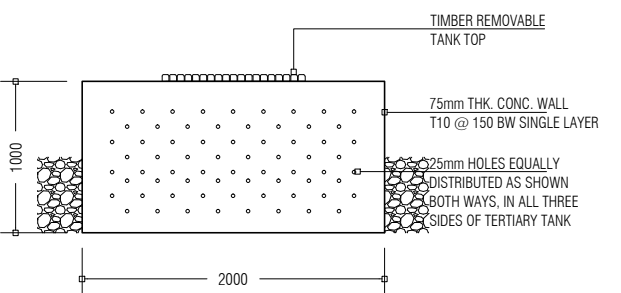
SORTING PLATFORM: FRONT VIEW



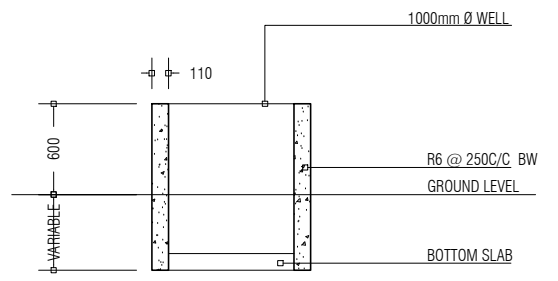
A-002




A-001

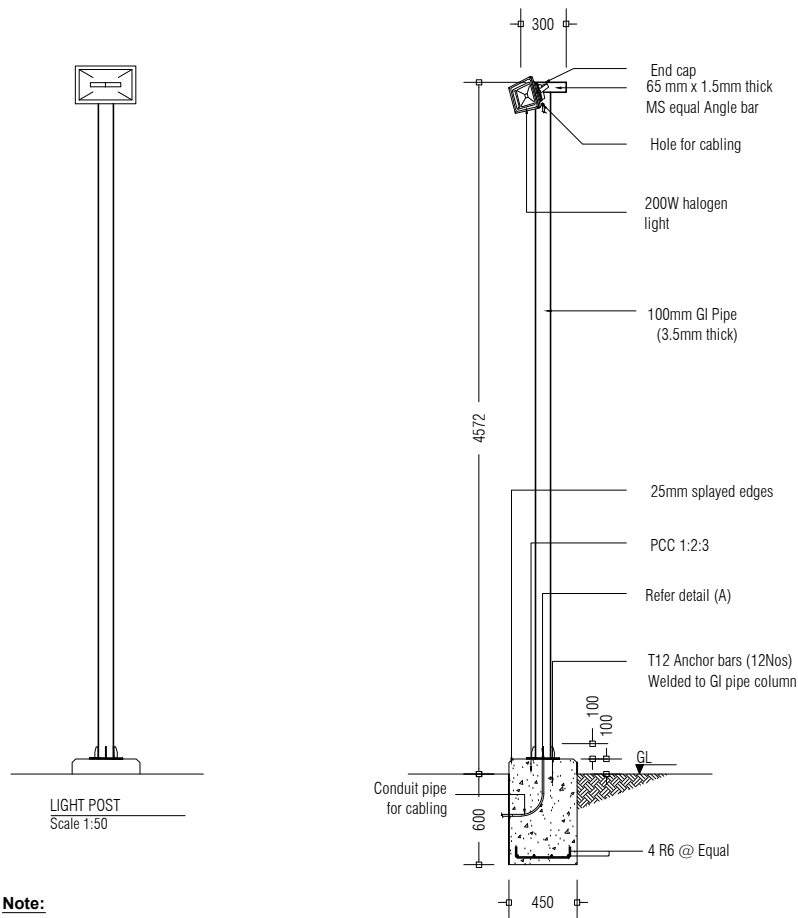


TERTIARY TANK SIDE VIEW



GROUND WATER WELL

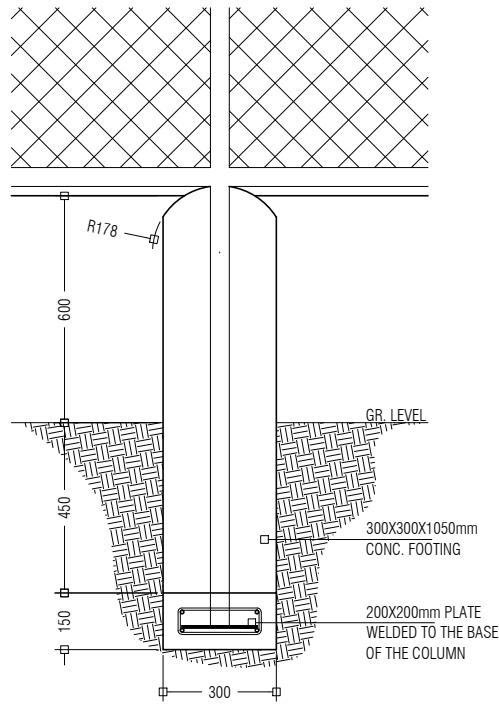
APPROVED BY	PROJECT CONSTRUCTION OF WASTE MANAGEMENT CENTRE TH. MADIFUSHI	DESIGN BY AFRAZ	AMENDMENTS
 <b>MCEP</b> MINISTRY OF ENVIROMENT AND ENERGY GREEN BUILDING, HANDHUVAREE HIGUN, MAAFANNU, MALE' (20392), REPUBLIC OF MALDIVES. TEL: +960-3018431, +960-3018300, FAX: +960-328301	TITLE LEACHATE WELL [PLAN, SECTION, ELEVATION], GROUND WATER WELL SECTION SORTING PLATFORM [PLAN, ELEVATION]	STRUCTURE BY AFRAZ	
	CLIENT DEPARTMENT WMPC DEPARTMENT	DRAWN BY AFRAZ	
PAPER SIZE A3	SCALE 1:50		
PAGE NO. 11	DWG NO. MADI-R3 A1-11		
	DATE 18.04.2018		



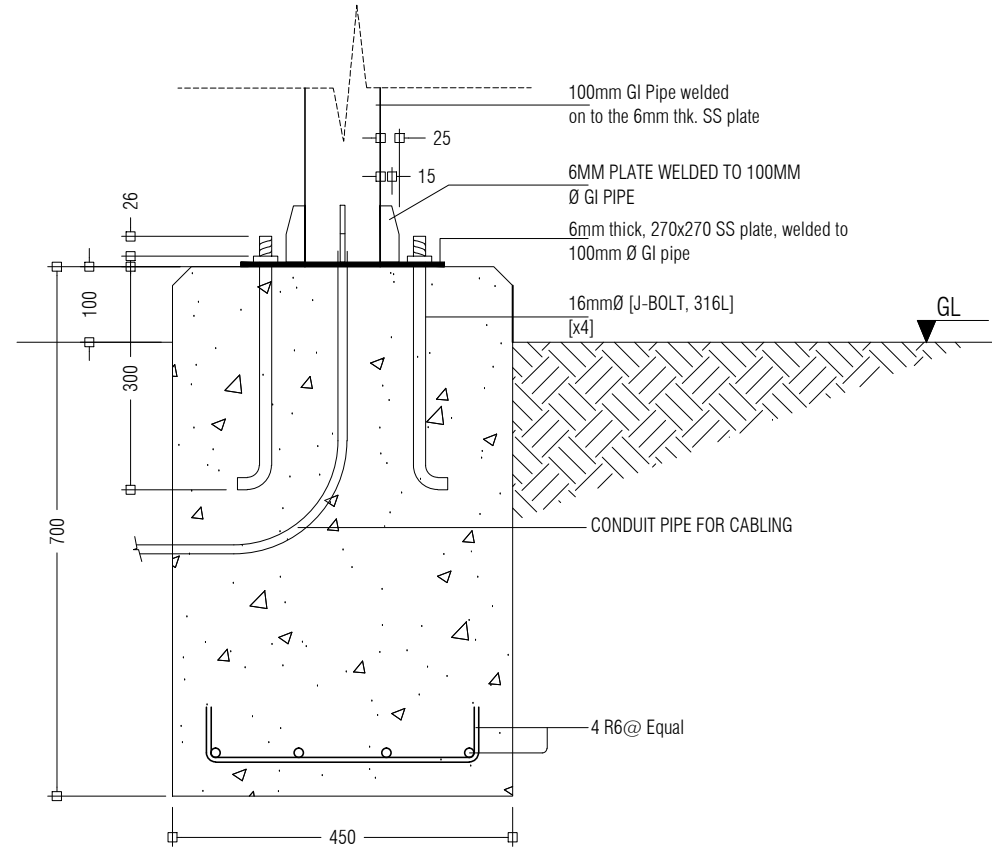
**Note:**

- \* Concrete cover: 50mm
- \* GI pipe to be painted with 1 coat of sealer & 2 coats of finishing paint. (Sigma, maroon colour)

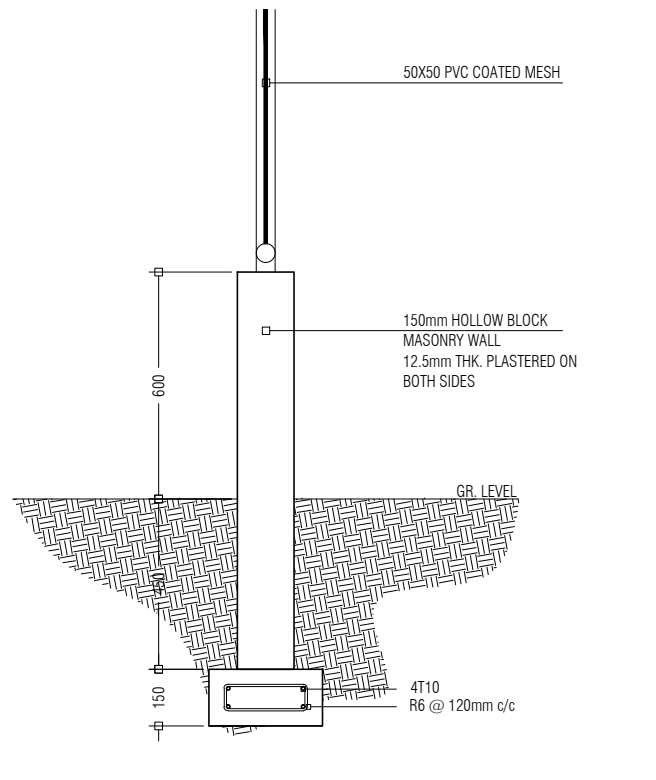
LIGHT POST DETAIL  
Scale 1:50



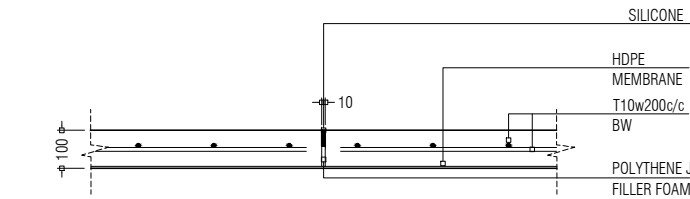
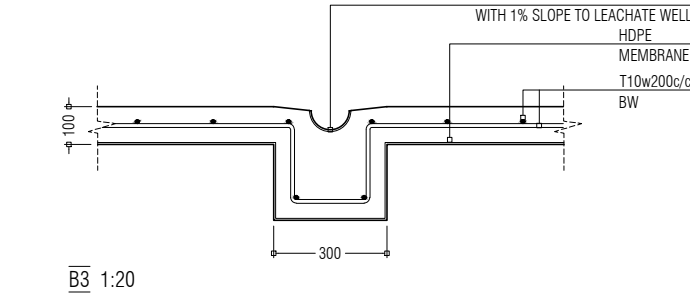
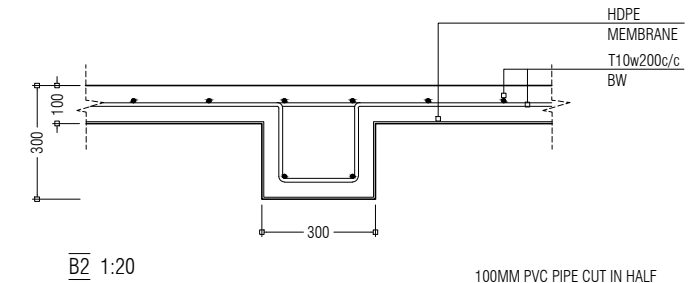
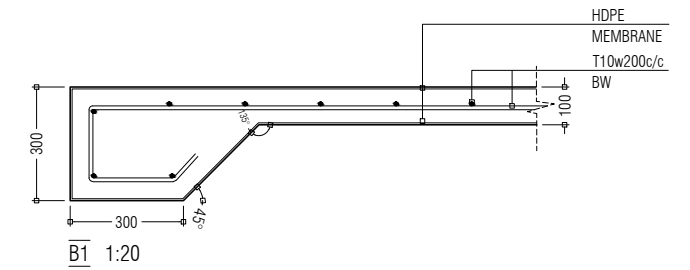
PERIMETER FENCE FOUNDATION DETAIL



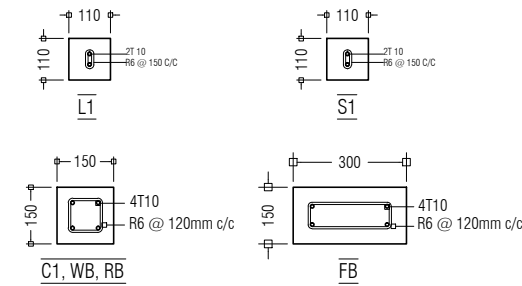
LIGHT POST FOUNDATION FOOTING DETAIL 1:10



PERIMETER FENCE WALL FOUNDATION DETAIL

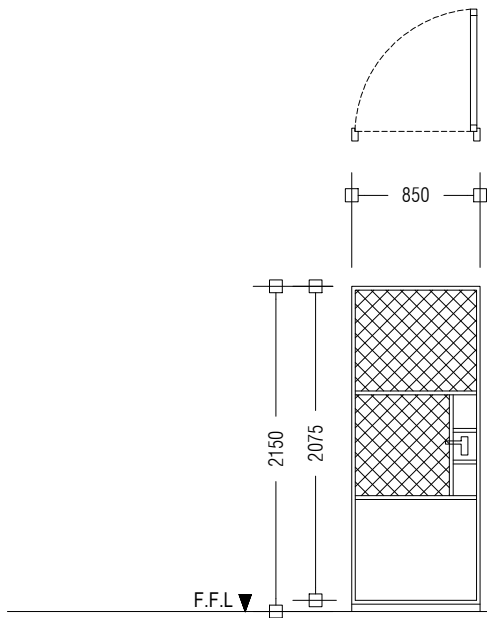
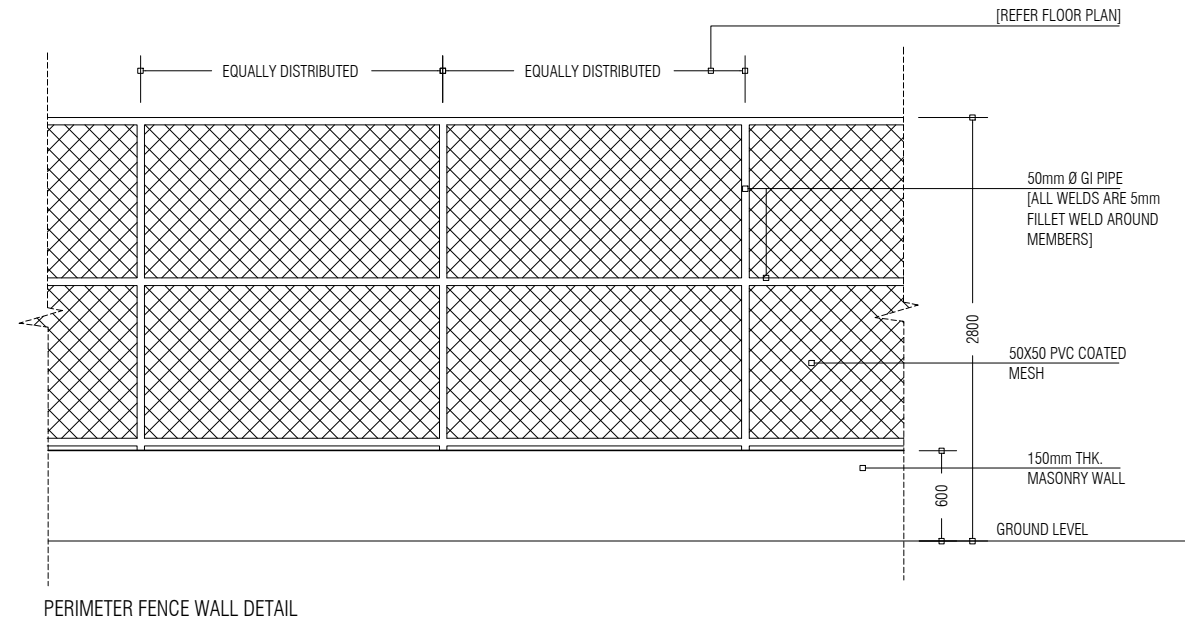
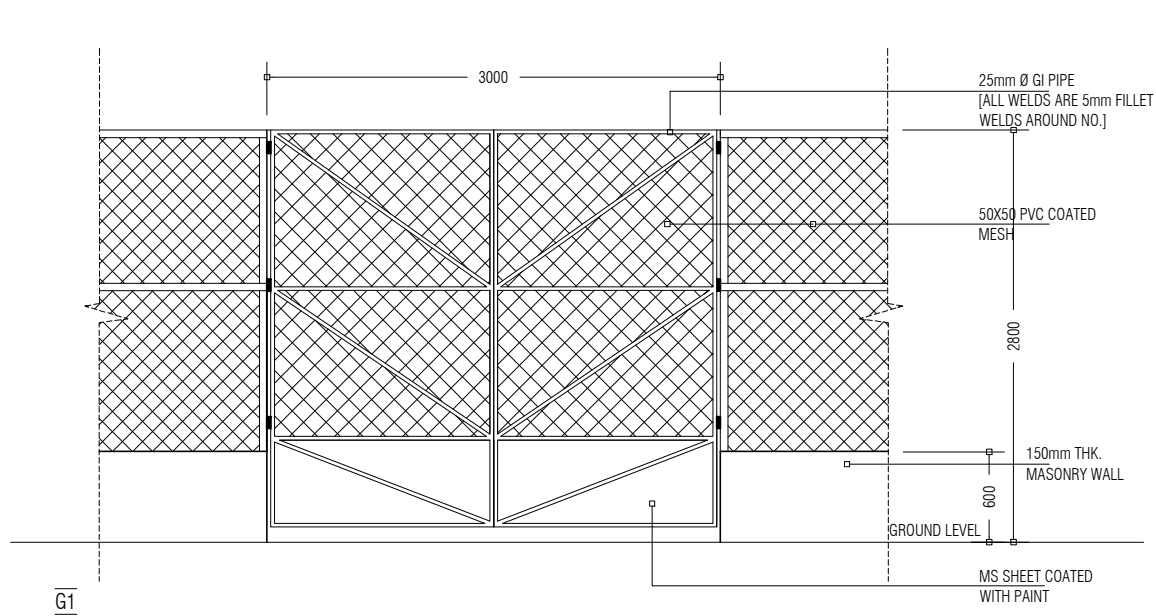


COMPOST BED SLAB DETAIL 1:20



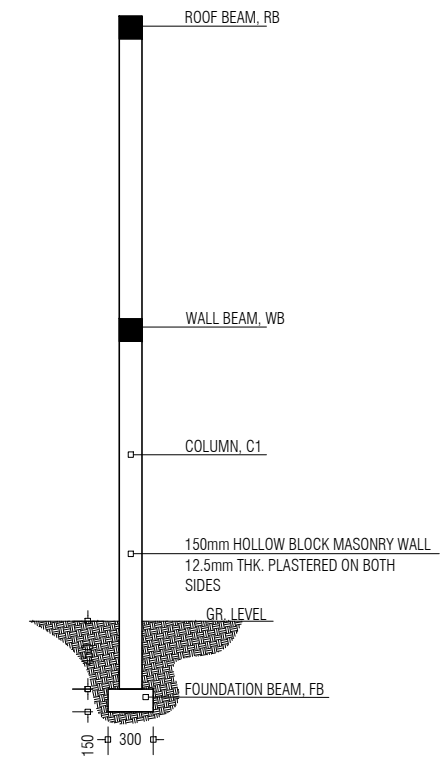
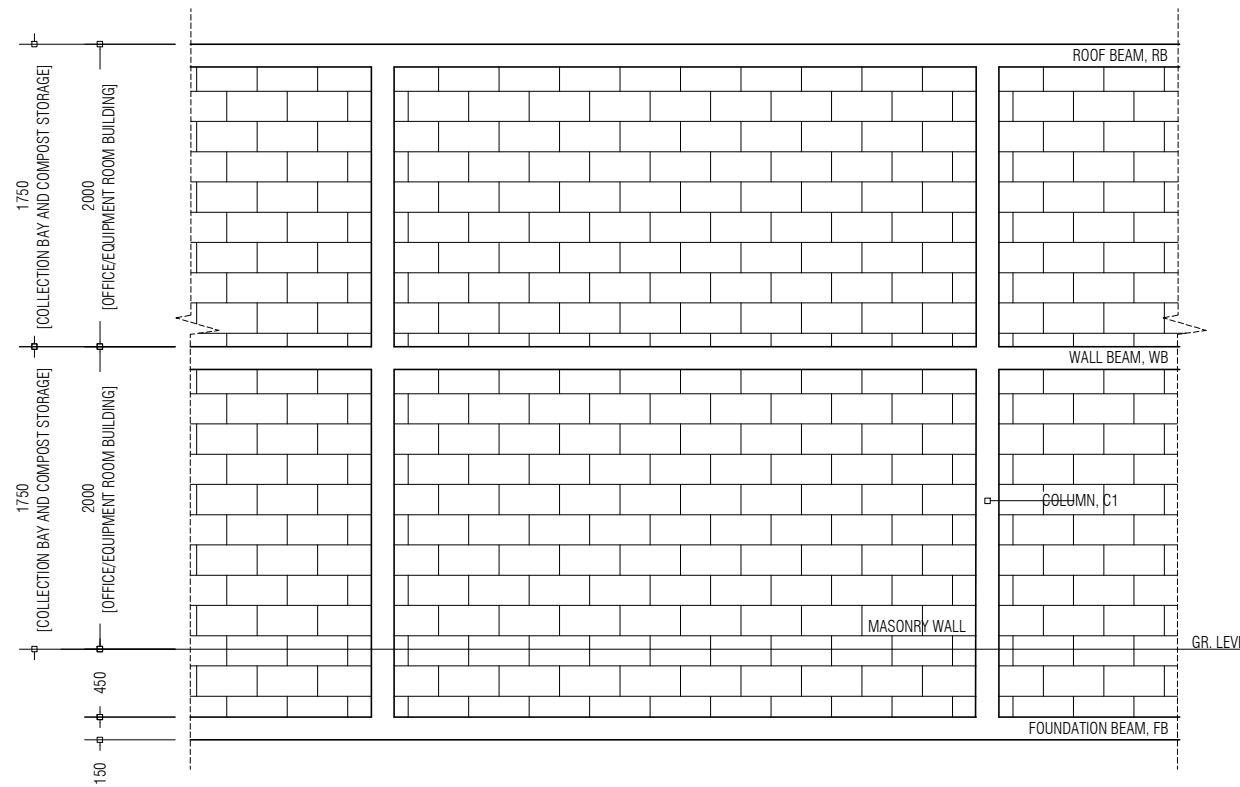
COLUMN AND BEAM DETAILS

APPROVED BY	PROJECT	DESIGN BY	AMENDMENTS
	CONSTRUCTION OF WASTE MANAGEMENT CENTRE TH. MADIFUSHI	AFRAZ	
	TITLE	STRUCTURE BY	
	DETAILS	AFRAZ	
	CLIENT DEPARTMENT	DRAWN BY	
	WMPC DEPARTMENT	AFRAZ	
PAPER SIZE	A3	SCALE	1:50, 1:20, 1:10
PAGE NO.	12	DWG NO.	MADI-R3 A1-12
		DATE	18.04.2018



<b>D1</b>	<b>SWING TYPE GATE</b>
REMARKS	GI PIPE (50MM) FRAMED GATE WITH PVC COATED WIRE MESH AND MS SHEET COATED WITH PAINT, GI PIPE TWO COAT PAINTED 01 DOOR KNOB WITH LOCK SET 04 HINGES
LOCATION	GROUND FLOOR
QUANTITY	NO.S 01
OPEN AREA	1.83 m <sup>2</sup>

NOTE:  
ALL WELDS FOR THE  
GI MEMBERS ARE  
5mm FILLET WELDS



BUILDINGS WALL ELEVATION

BUILDINGS WALL DETAIL

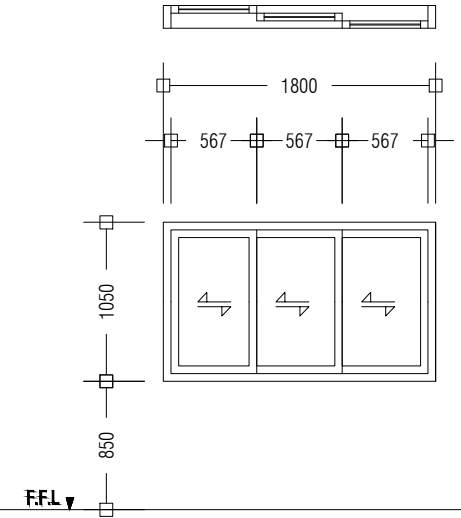
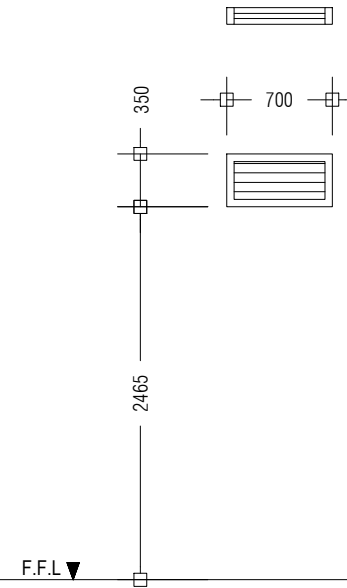
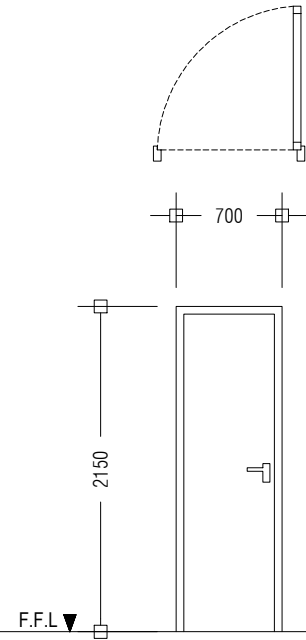
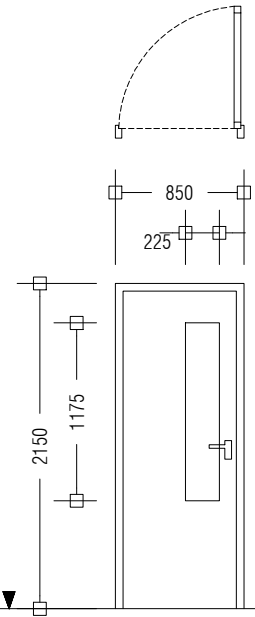
APPROVED BY

PROJECT	DESIGN BY
CONSTRUCTION OF WASTE MANAGEMENT CENTRE TH. MADIFUSHI	AFRAZ
TITLE	STRUCTURE BY
GATE SCHEDULE, FENCING DETAIL, WALL DETAIL	AFRAZ
CLIENT DEPARTMENT	DRAWN BY
WMPC DEPARTMENT	AFRAZ
PAPER SIZE A3	SCALE 1:50
PAGE NO. 13	DWG NO. MADI-R3 A1-13
	DATE 18.04.2018

AMENDMENTS



MCEP  
MINISTRY OF ENVIROMENT AND ENERGY  
GREEN BUILDING, HANDHUVAREE HIGUN,  
MAAFANNU, MALE (20392), REPUBLIC OF MALDIVES.  
TEL: +960-3018431, +960-3018300, FAX: +960-328301

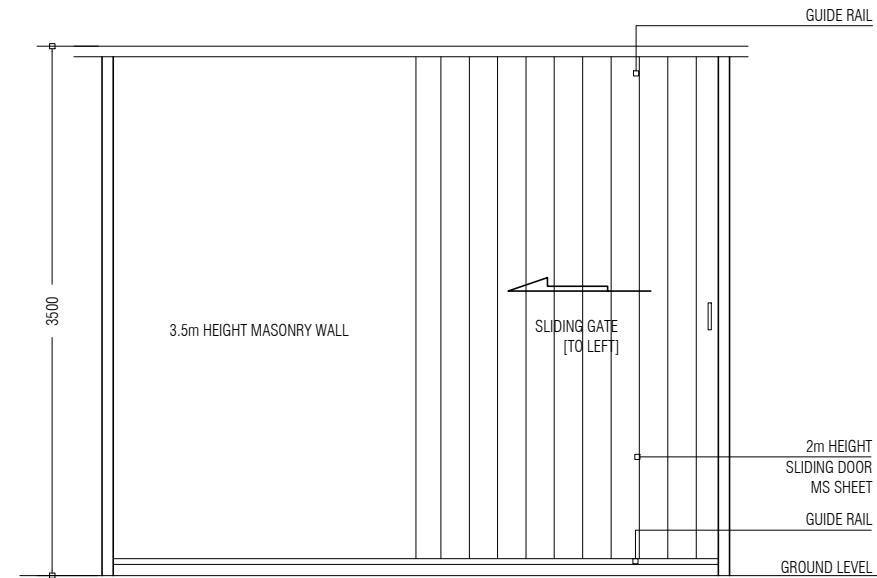


<b>D2</b>	<b>SWING TYPE DOOR</b>
REMARKS	ALUMINUM DOOR WITH CLEAR GLASS PANEL 01 DOOR KNOB WITH LOCK SET 04 HINGES DOOR STOPPER, FINISHED WITH WHITE COATED PAINT
LOCATION	GROUND FLOOR
QUANTITY	NO.S 01
OPEN AREA	1.83 m <sup>2</sup>

<b>D3</b>	<b>SWING TYPE DOOR</b>
REMARKS	ALUMINIUM DOOR WITH DOOR KNOB AND 1 LOCK SET
LOCATION	GROUND FLOOR
QUANTITY	NO.S 07
OPEN AREA	1.51m <sup>2</sup>

<b>W1</b>	<b>ALUMINIUM LOUVER WINDOW</b>
REMARKS	ALUMINUM FRAMED, ALUMINIUM LOUVERED, FINISHED WITH WHITE COATED PAINT
LOCATION	GROUND FLOOR
QUANTITY	NO.S 1
OPEN AREA	0.15 m <sup>2</sup>

<b>W2</b>	<b>ALUMINIUM SLIDING WINDOW</b>
REMARKS	ALUMINUM FRAMED, TINTED BLACK GLASS, FINISHED WITH TIMBER POWDER COATED PAINT
LOCATION	GROUND FLOOR
QUANTITY	NO.S 02
OPEN AREA	1.89 m <sup>2</sup>



EQUIPMENT ROOM RSD

HAZADIOUS WASTE SD1

APPROVED BY

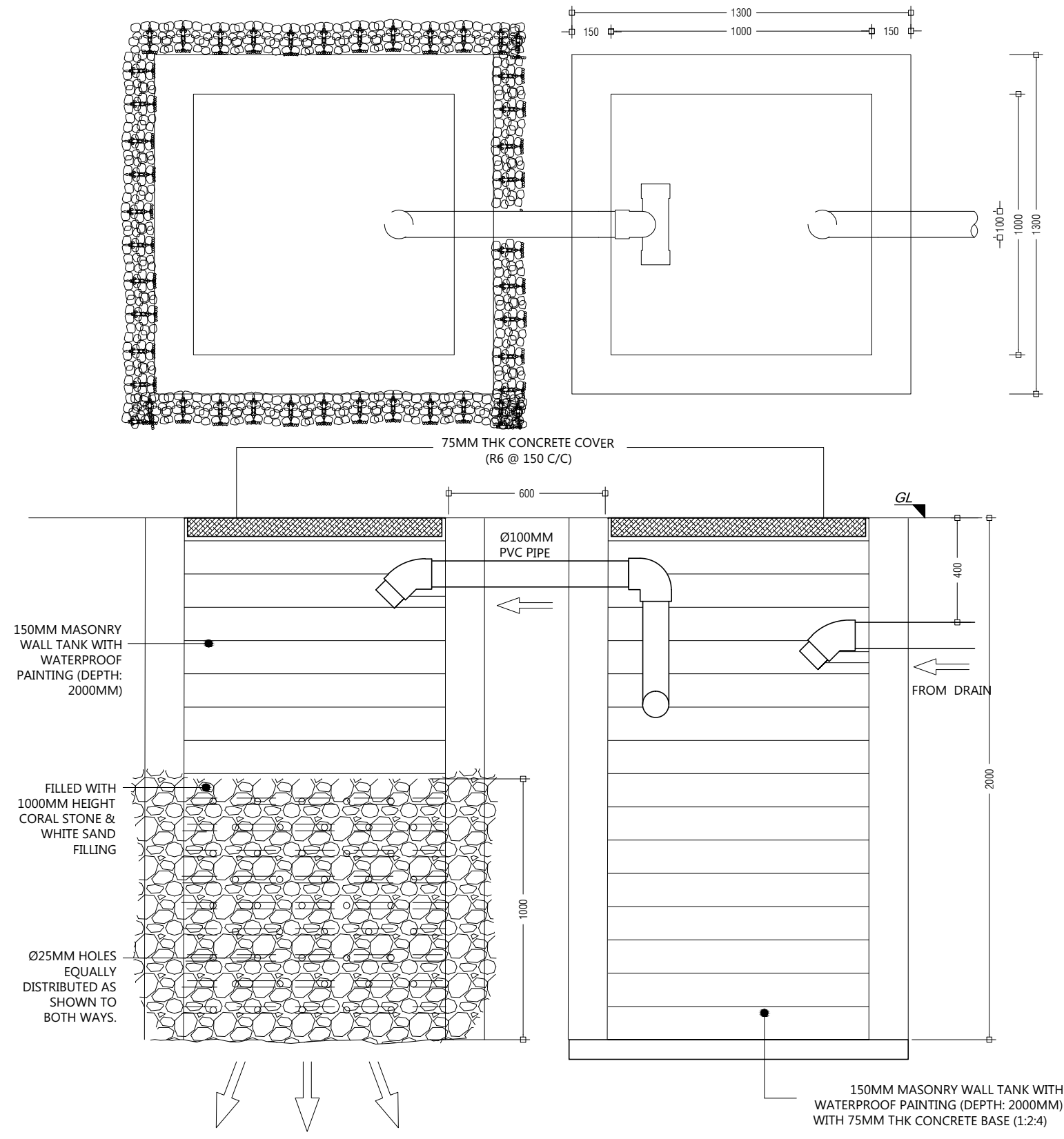
PROJECT	CONSTRUCTION OF WASTE MANAGEMENT CENTRE TH. MADIFUSHI
TITLE	DOOR AND WINDOW SCHEDULE
CLIENT DEPARTMENT	WMPC DEPARTMENT
PAPER SIZE	A3
PAGE NO.	14

DESIGN BY	AFRAZ
STRUCTURE BY	AFRAZ
DRAWN BY	AFRAZ
SCALE	1:50
DWG NO.	MADI-R3 A1-14
DATE	18.04.2018

AMENDMENTS



MCEP  
MINISTRY OF ENVIROMENT AND ENERGY  
GREEN BUILDING, HANDHUVAREE HIGUN,  
MAAFANNU, MALE' (20392), REPUBLIC OF MALDIVES.  
TEL: +960-3018431, +960-3018300, FAX: +960-328301



APPROVED BY	PROJECT	DESIGN BY	AMENDMENTS
	CONSTRUCTION OF WASTE MANAGEMENT CENTRE TH. MADIFUSHI	AFRAZ	
	TITLE	STRUCTURE BY	
	SEPTIC TANK DETAILS	AFRAZ	
	CLIENT DEPARTMENT	DRAWN BY	
	WMPC DEPARTMENT	AFRAZ	
	PAPER SIZE A3	SCALE 1:50	
	PAGE NO. 15	DWG NO. MADI-R3 A1-15	
		DATE 05.06.2018	