



Pumping station boundary wall

Ministry of Environment and Energy

10 Apr 2018 8:25:51 AM

Project name: Pumping station boundary wall
Address: S.Hithadhoo

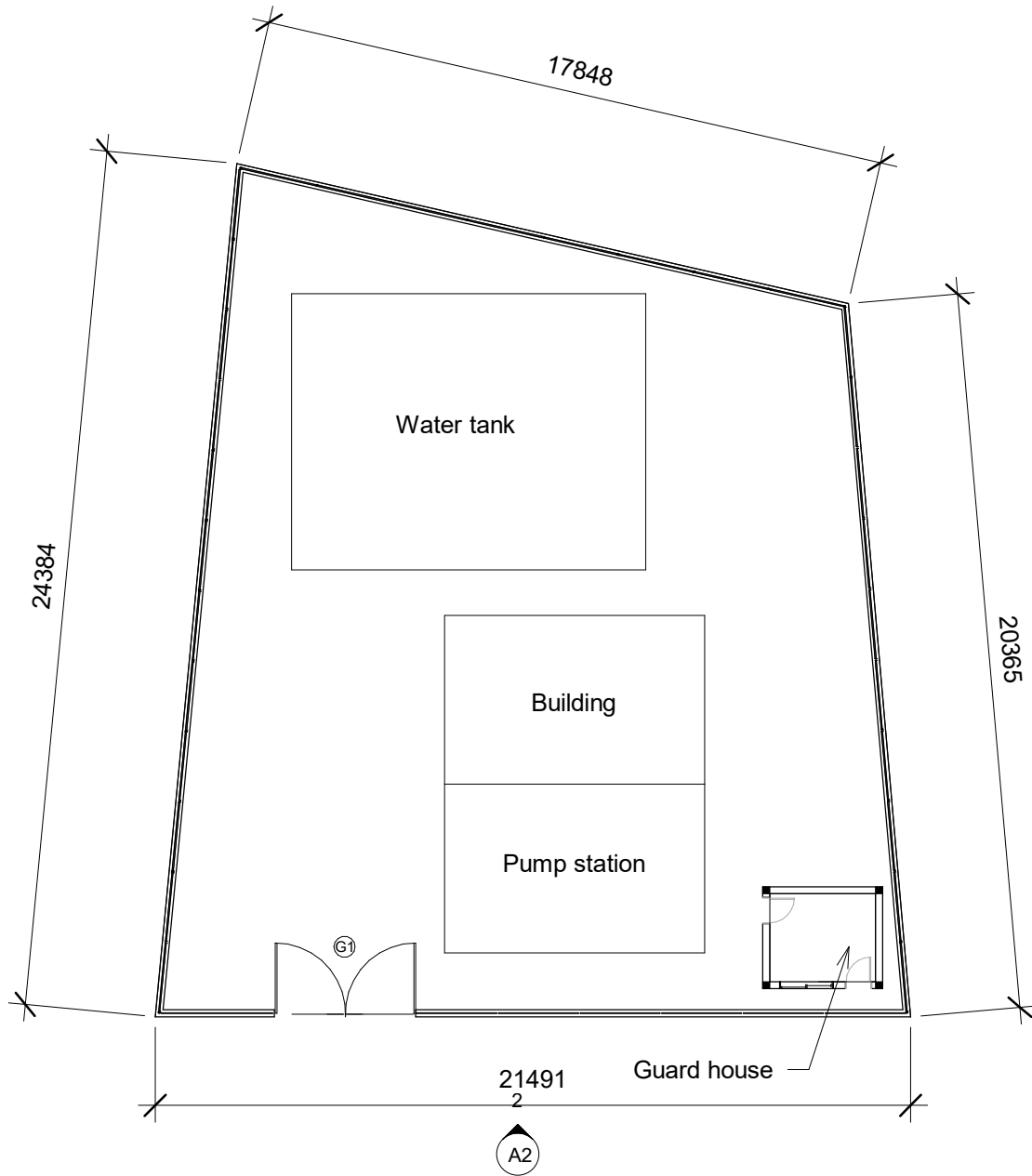
10 Apr 2018 8:25:51 AM



Pumping station boundary wall

Ministry of Environment and Energy

10 Apr 2018 8:25:52 AM



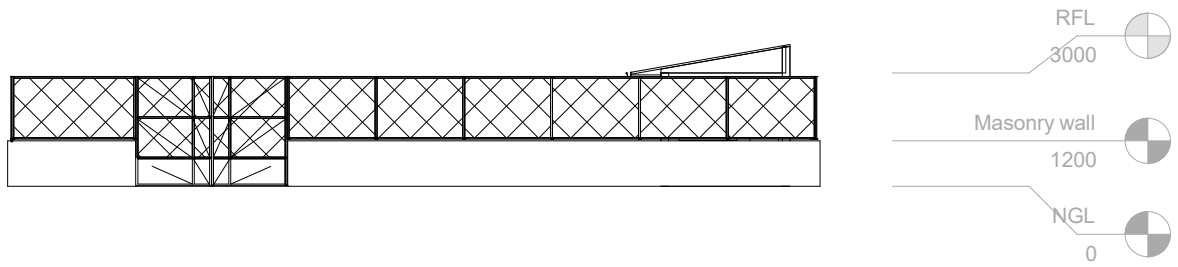
| | | |
|---------------|-----|---------------|
| Boundary wall | | A1 |
| Drawn by | MAL | |
| Checked by | IN | Scale 1 : 200 |



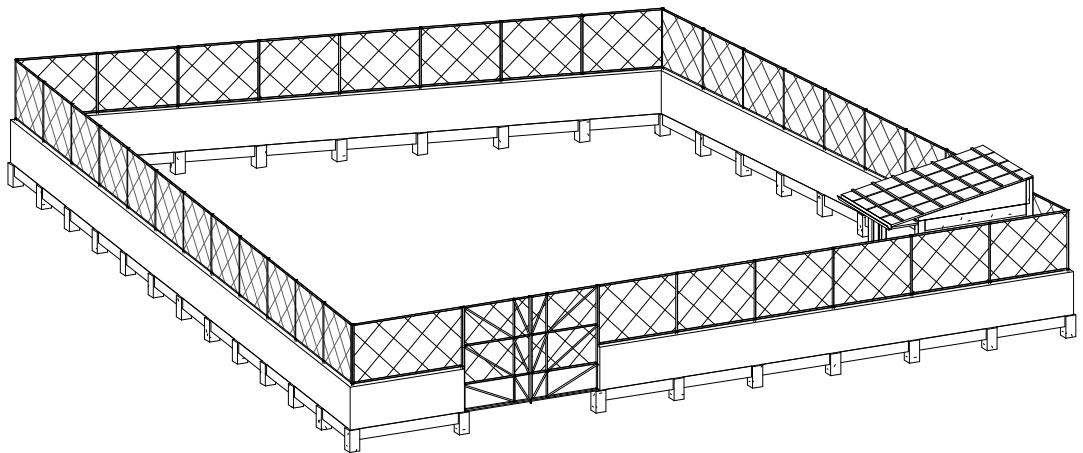
Pumping station boundary wall

Ministry of Environment and Energy

10 Apr 2018 8:25:52 AM



② Elevation 1
1 : 200

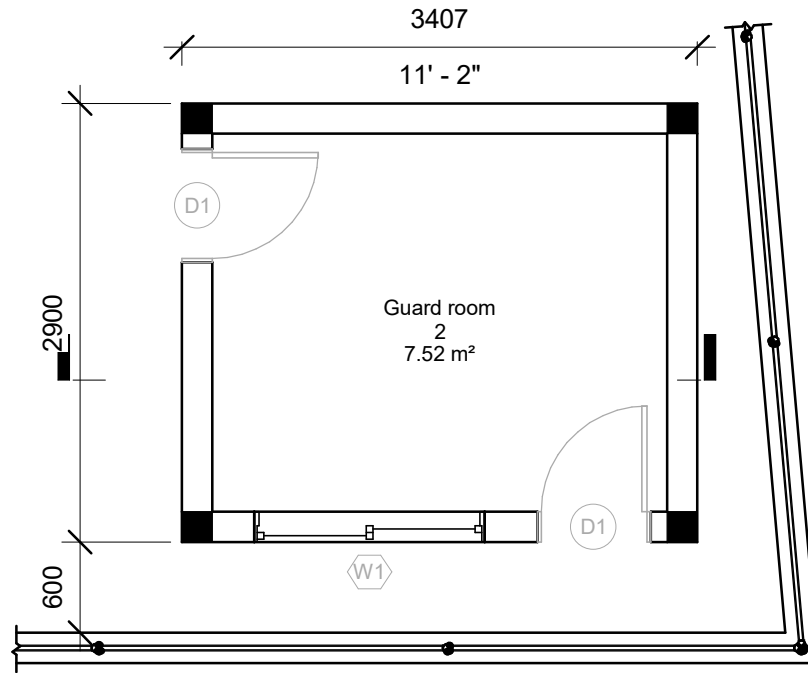


① 3D view

| | | |
|------------------|-----|---------------|
| Elevation and 3D | | A2 |
| Drawn by | MAL | |
| Checked by | IN | Scale 1 : 200 |

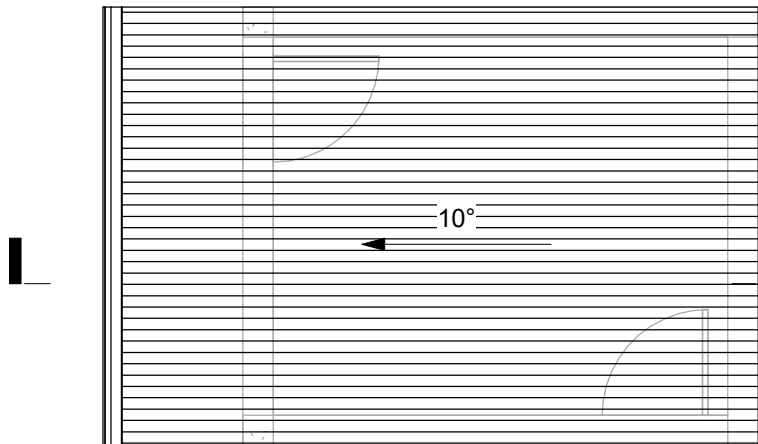


10 Apr 2018 8:25:53 AM



Guard house floor plan

1 1 : 50



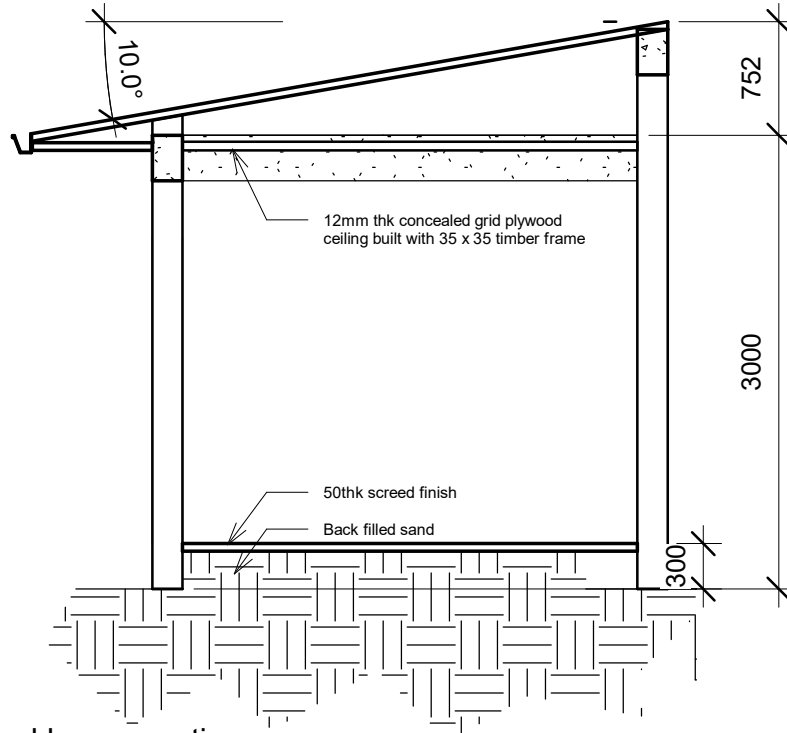
Guard house roof plan

2 1 : 50

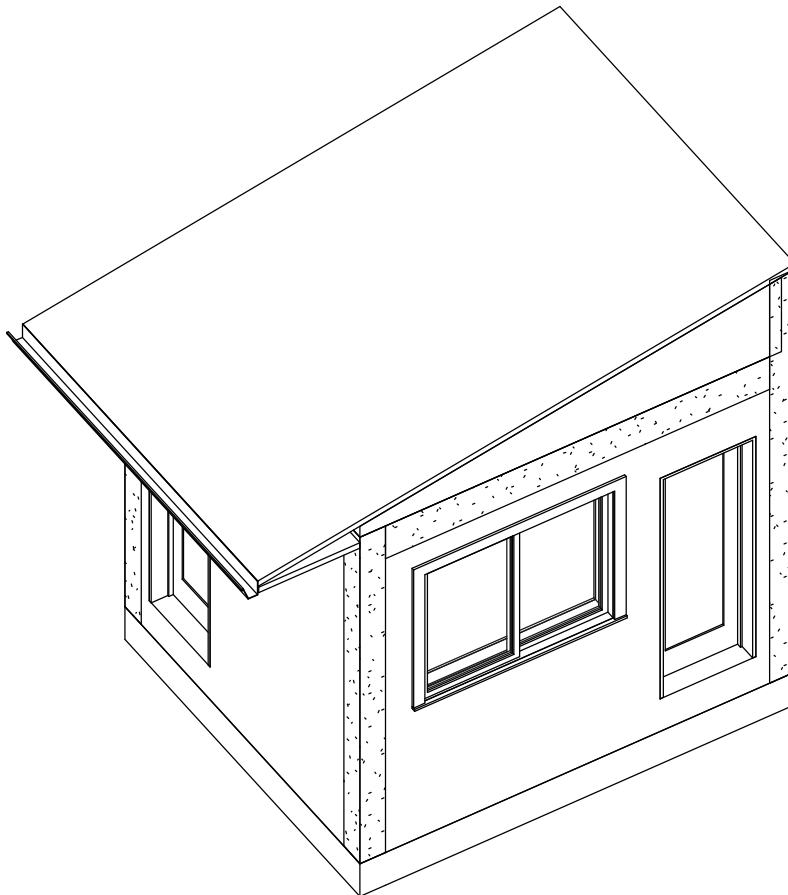
| | | |
|--------------------|-----|--------------|
| Guard house detail | | A3 |
| Drawn by | MAL | |
| Checked by | IN | Scale 1 : 50 |



10 Apr 2018 8:25:53 AM



1 Guard house section
1 : 50



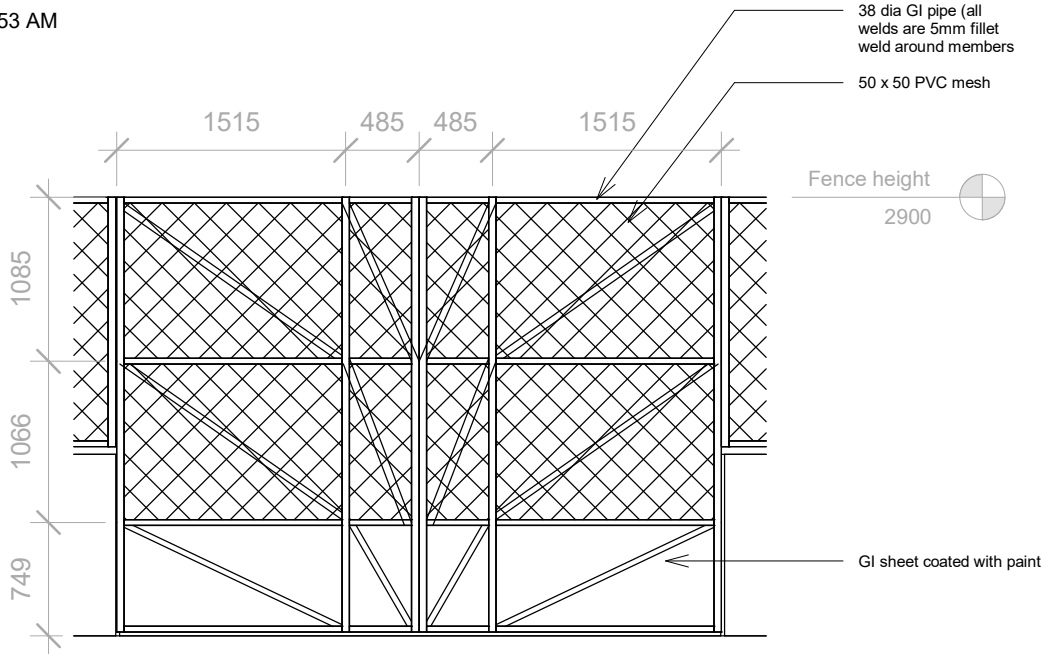
2 Guardhouse 3D

| | | |
|---------------------|-----|--------------|
| Guard house details | | A4 |
| Drawn by | MAL | |
| Checked by | IN | Scale 1 : 50 |

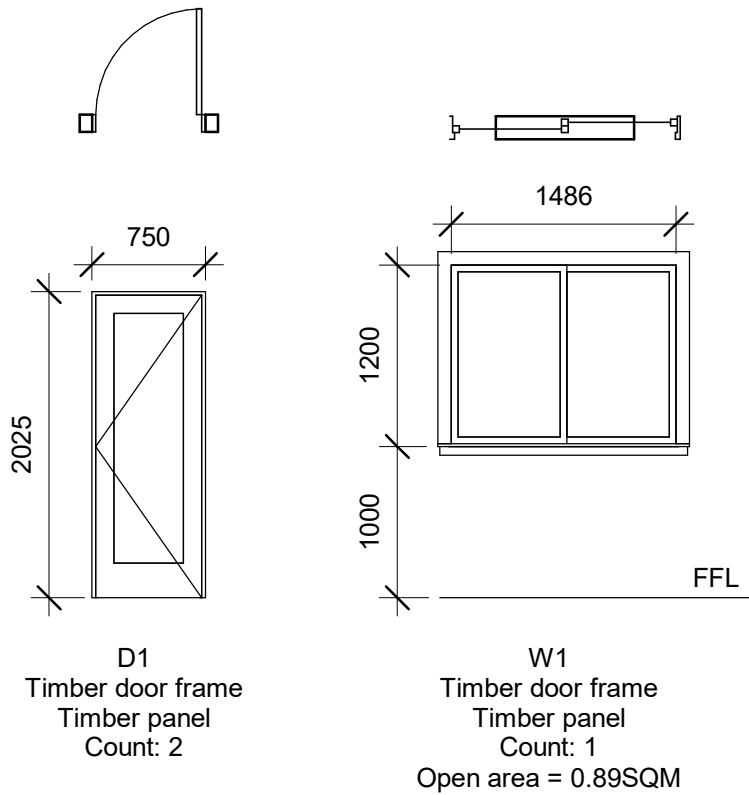


Pumping station boundary wall
Ministry of Environment and Energy

10 Apr 2018 8:25:53 AM



1 G1
1 : 50

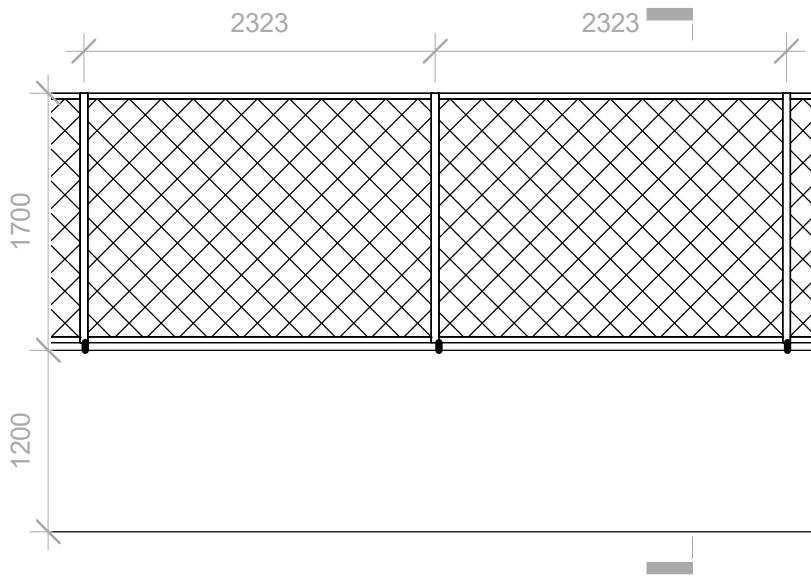


Door window schedule
1 : 50

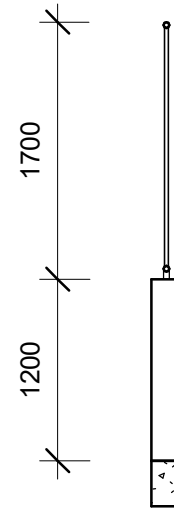
| | | |
|----------------------|-----|--------------|
| Door window schedule | | A5 |
| Drawn by | MAL | |
| Checked by | IN | Scale 1 : 50 |



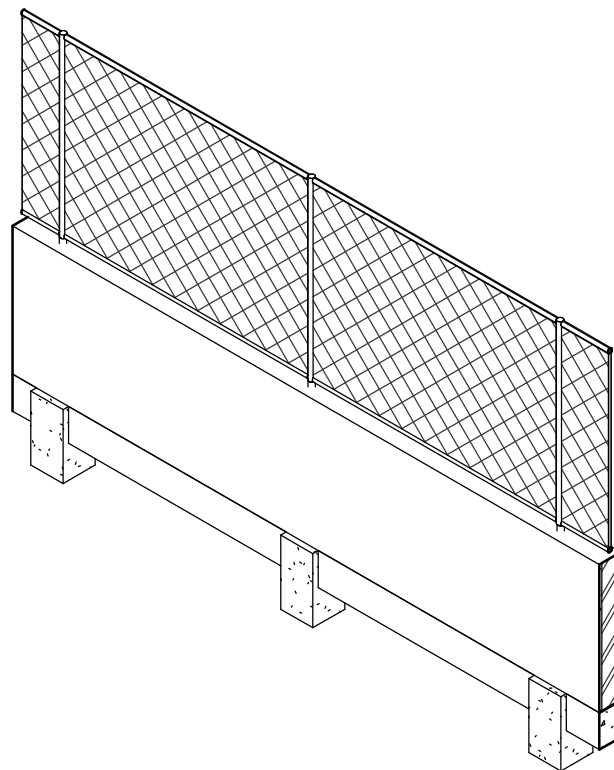
10 Apr 2018 8:25:53 AM



① Boundary wall elevation
1 : 50



② Boundary wall section
1 : 50

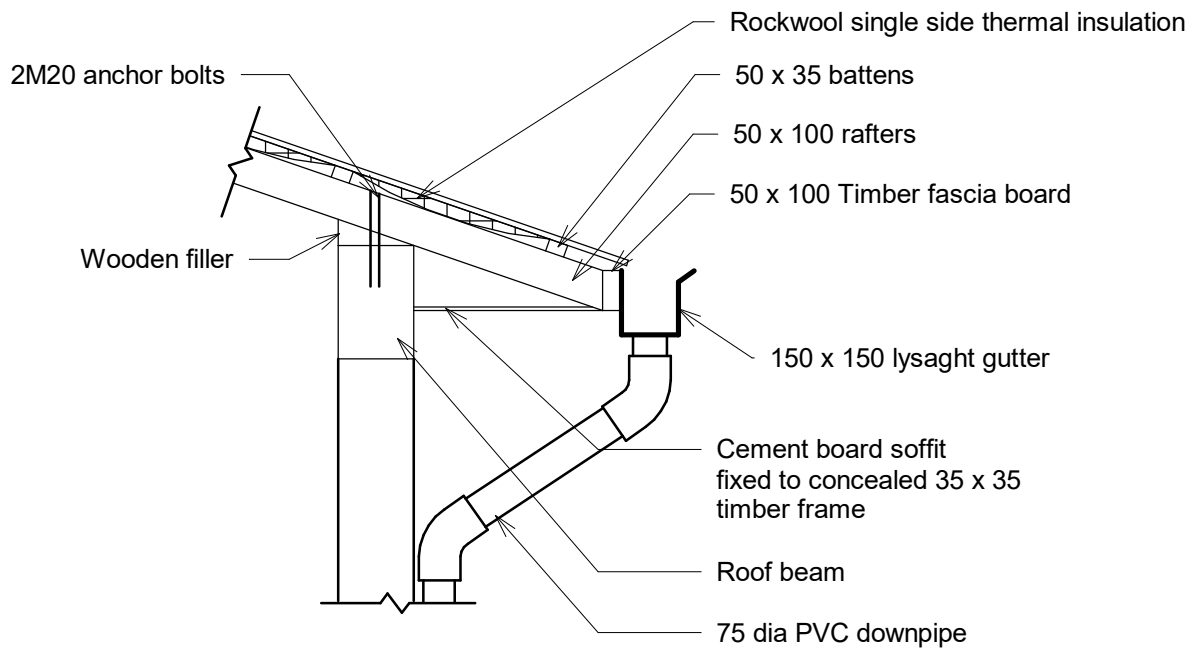


③ Boundary 3D

| | | |
|-----------------------|-----|--------------|
| Boundary wall details | | A6 |
| Drawn by | MAL | |
| Checked by | IN | Scale 1 : 50 |



10 Apr 2018 8:25:54 AM



Fixing details

1 1 : 20

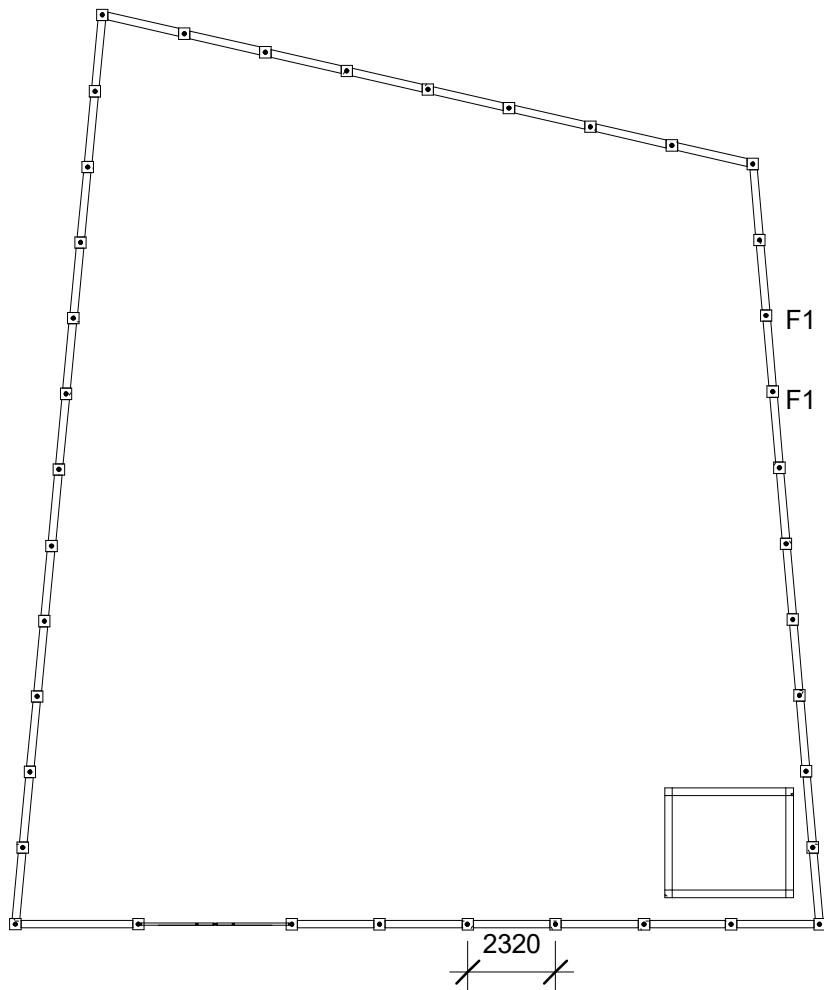
| | | |
|----------------|-----|--------------|
| Fixing details | | A7 |
| Drawn by | MAL | |
| Checked by | IN | Scale 1 : 20 |



Pumping station boundary wall

Ministry of Environment and Energy

10 Apr 2018 8:25:54 AM



Note: Line footings under masonry wall are of the type FB1
Boundary wall column foundations are of the type F1

Foundation layout

Drawn by MAL

Checked by IN

S1

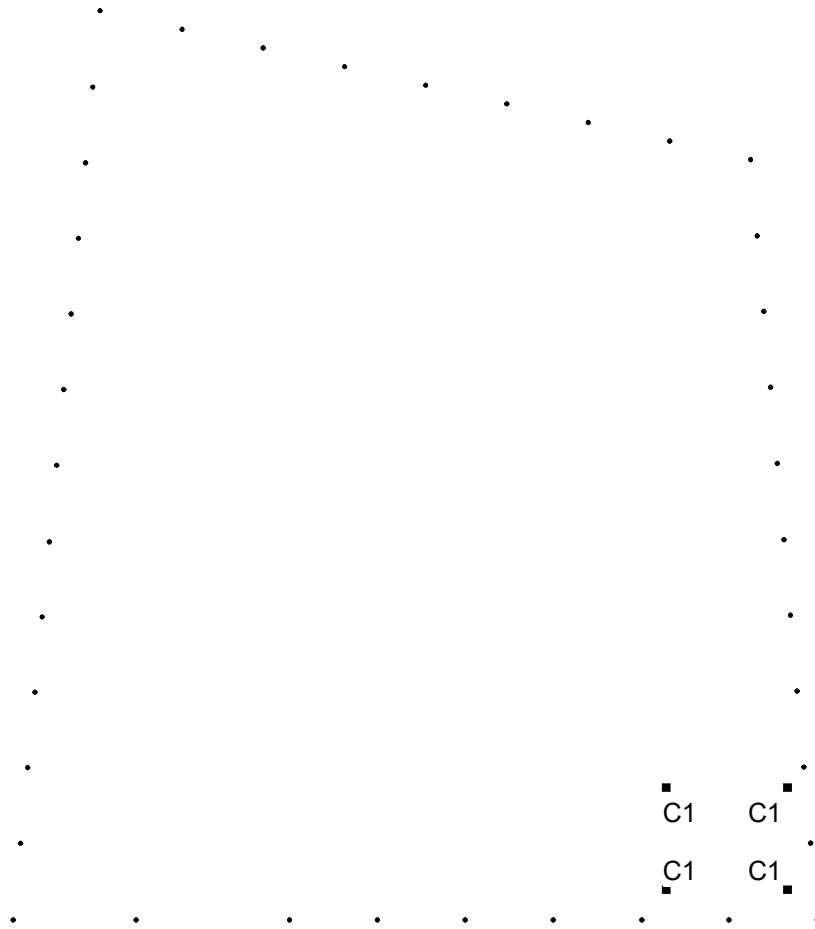
Scale 1 : 200



Pumping station boundary wall

Ministry of Environment and Energy

10 Apr 2018 8:25:54 AM



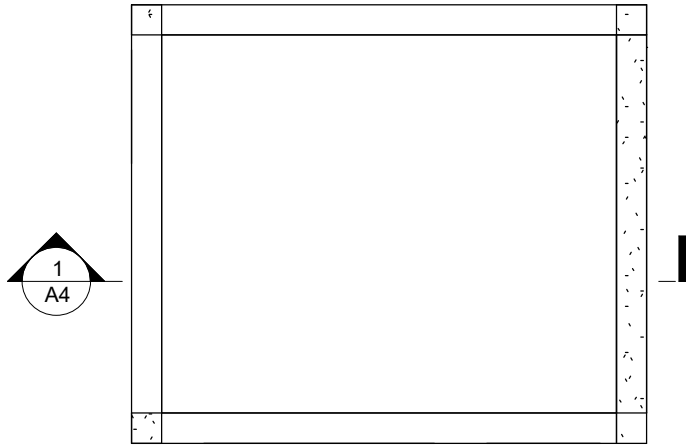
| | | |
|-------------|-----|---------------|
| Column plan | | S2 |
| Drawn by | MAL | |
| Checked by | IN | Scale 1 : 200 |



Pumping station boundary wall

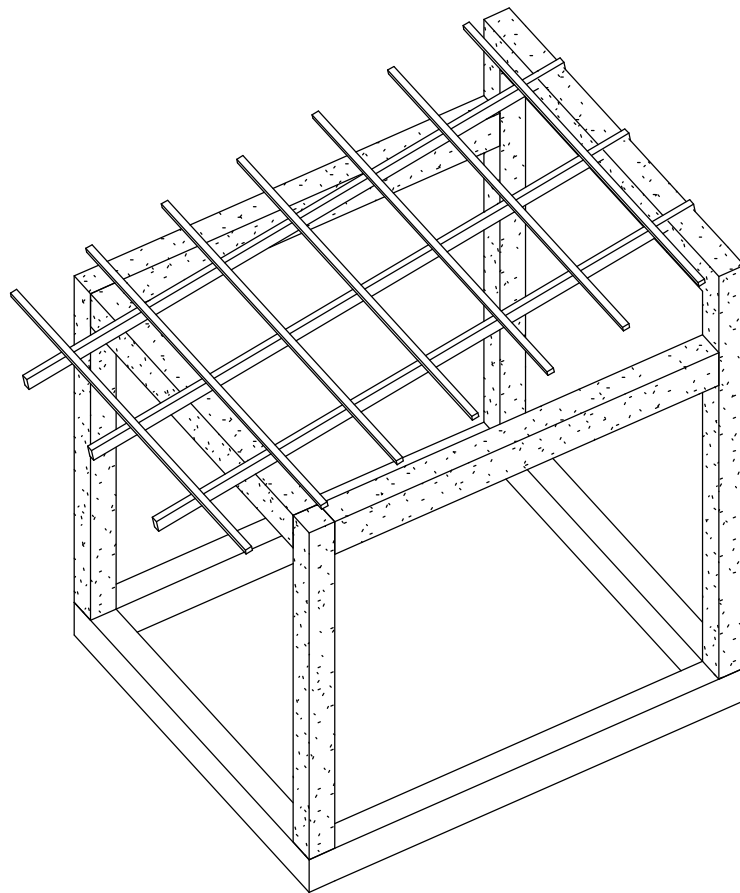
Ministry of Environment and Energy

10 Apr 2018 8:25:54 AM



1 Guard house Roof beam

1 : 50



2 Guardhouse structure

Note: All roof beams are of the type RB1
All foundation beams are of the type FB1
All columns are of the type C1

Guard house structure

S3

Drawn by MAL

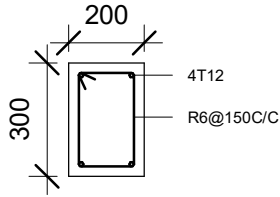
Checked by IN

Scale 1 : 50

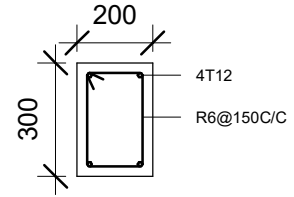


Pumping station boundary wall
Ministry of Environment and Energy

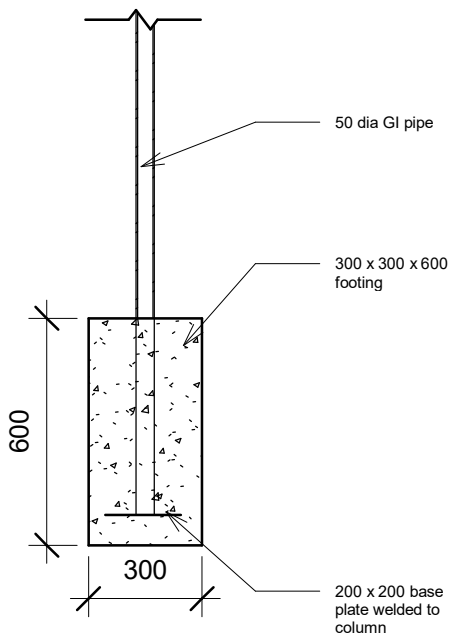
10 Apr 2018 8:25:54 AM



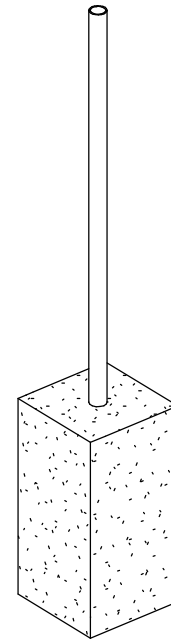
1 FB1
1 : 20



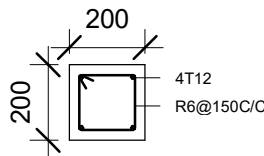
4 RB1
1 : 20



2 F1 section
1 : 20



3 F1 3D



5 C1
1 : 20

| | | |
|--------------------|-----|--------------|
| Structural details | | S4 |
| Drawn by | MAL | |
| Checked by | IN | Scale 1 : 20 |