



Pumping station 2 boundary wall

Ministry of Environment and Energy

10 Apr 2018 8:28:13 AM

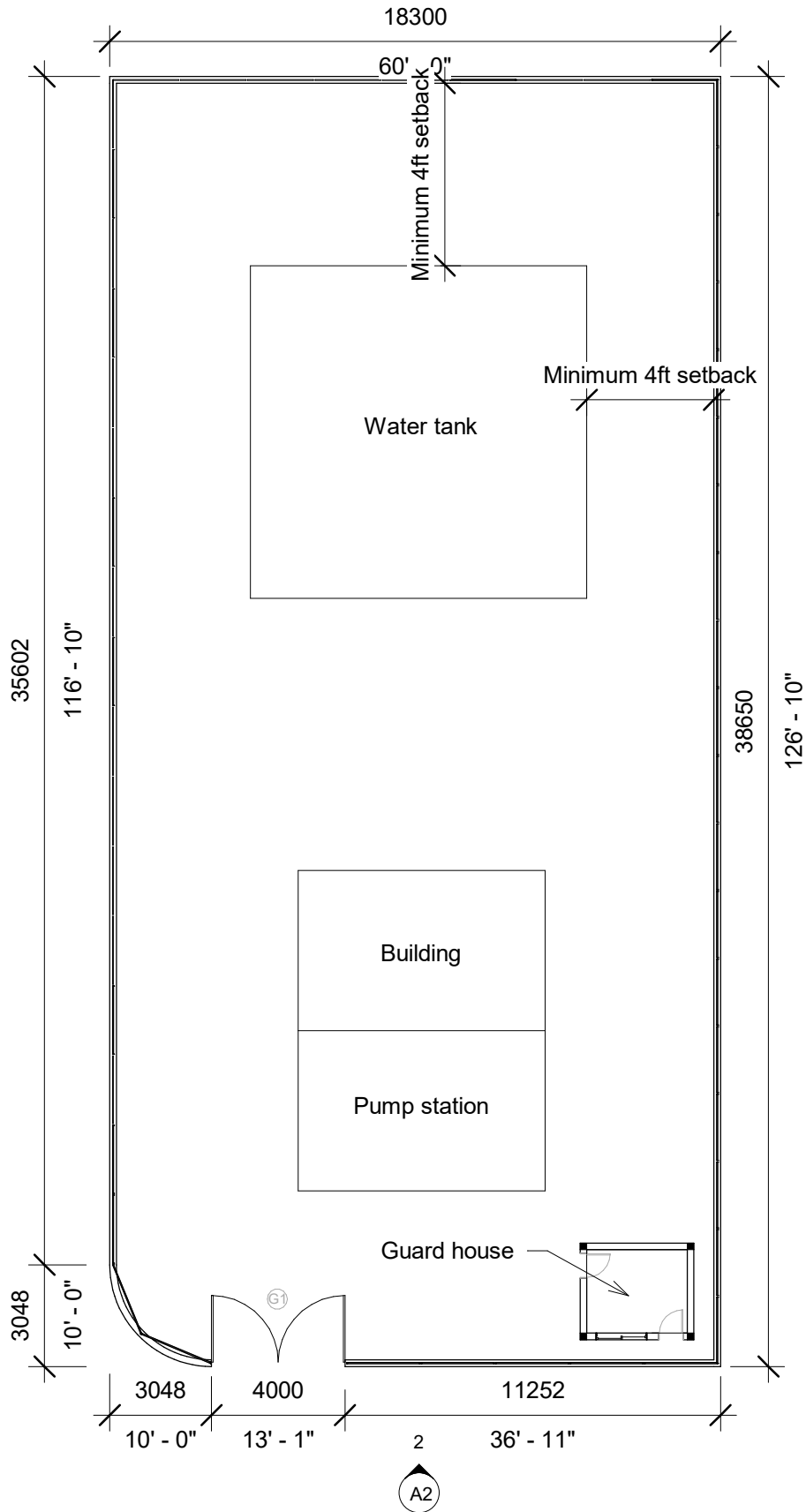
**Project name: Pumping station 2 boundary wall**  
**Address: Hithadhoo**

10 Apr 2018 8:28:13 AM



Pumping station 2 boundary wall  
Ministry of Environment and Energy

10 Apr 2018 8:28:13 AM

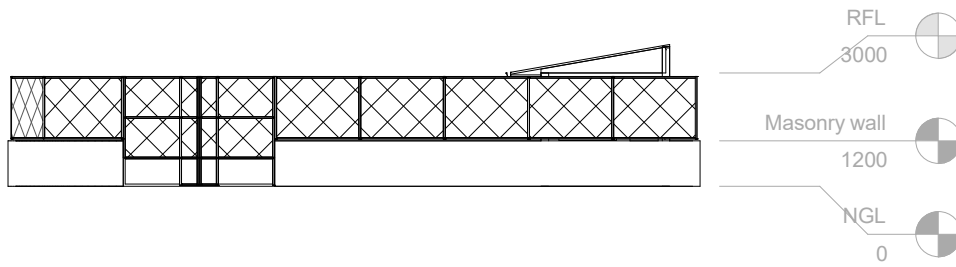


Boundary wall		A1
Drawn by	MAL	
Checked by	IN	Scale 1 : 200

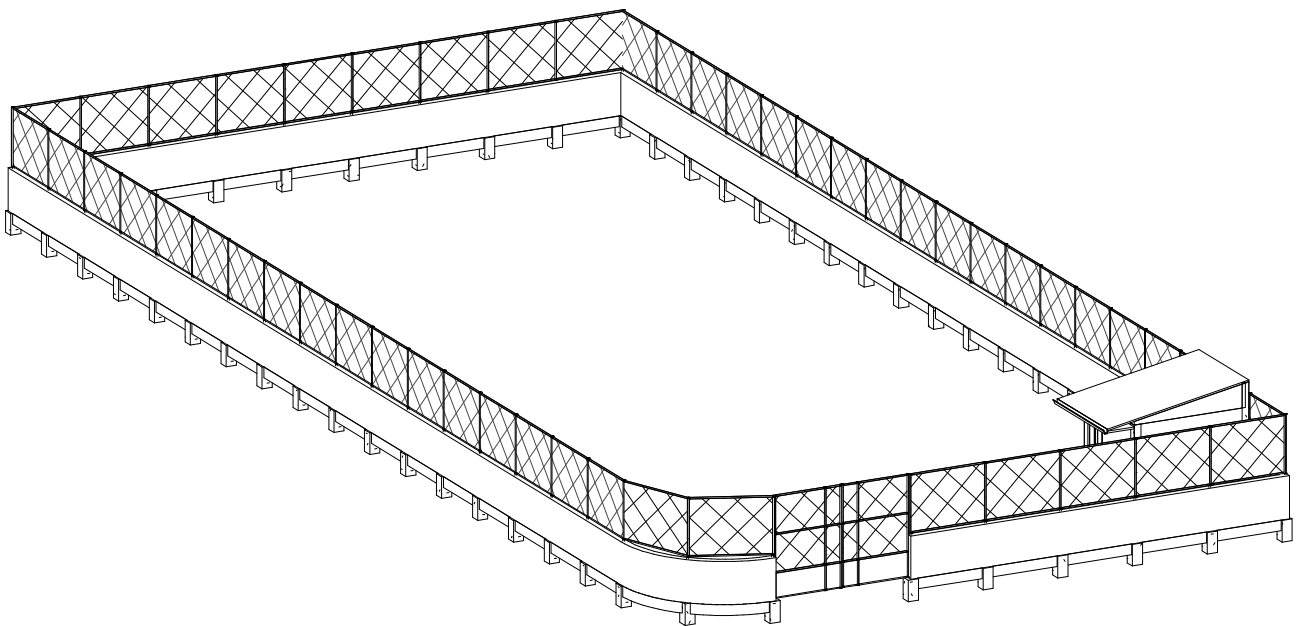


Pumping station 2 boundary wall  
Ministry of Environment and Energy

10 Apr 2018 8:28:14 AM



2 Elevation 1  
1 : 200

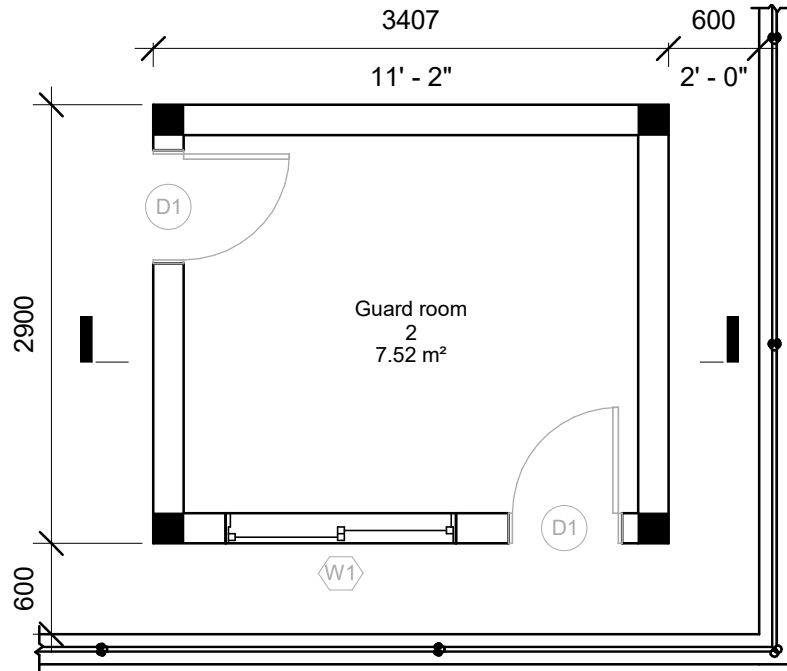


1 3D view

Elevation and 3D		A2
Drawn by	MAL	
Checked by	IN	Scale 1 : 200

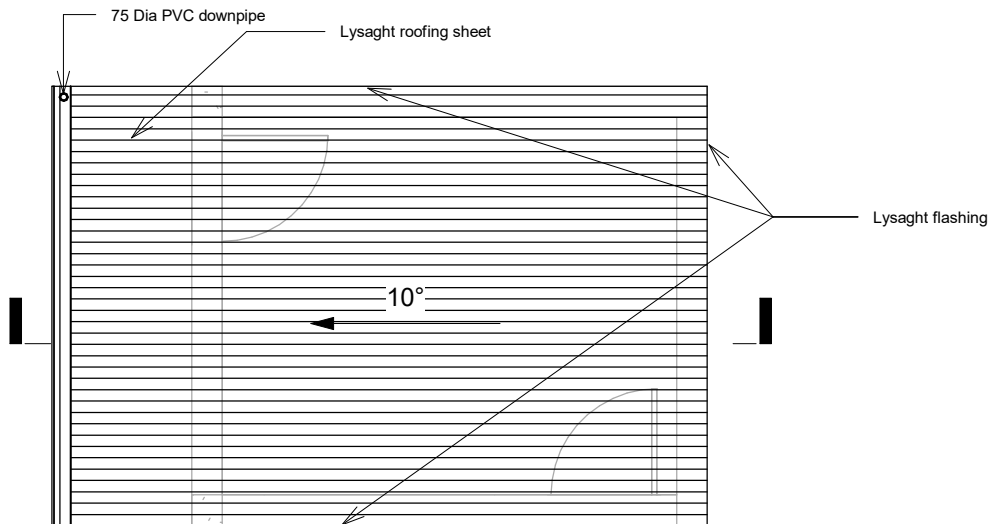


10 Apr 2018 8:28:14 AM



Guard house floor plan

1 1 : 50



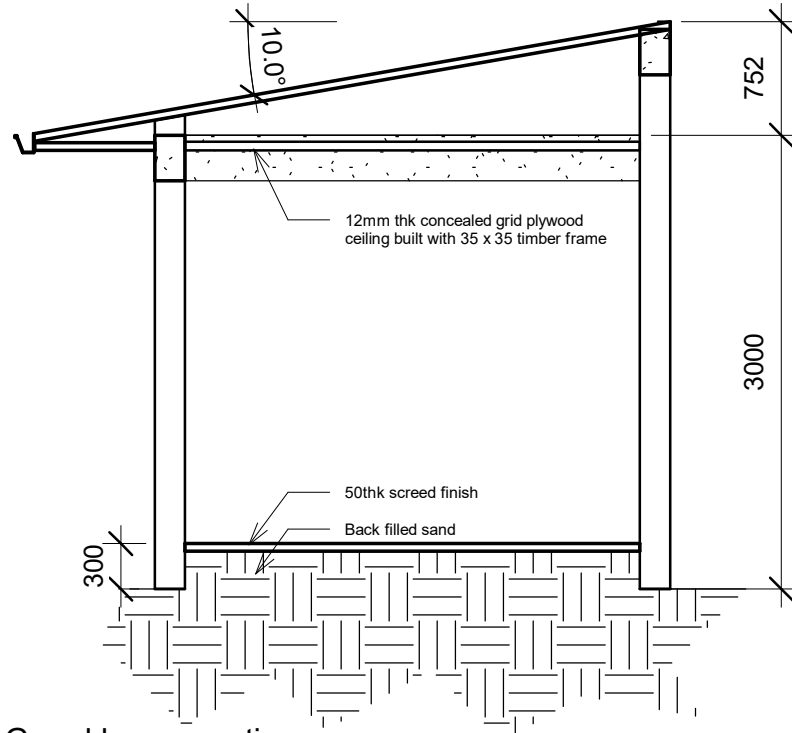
Guard house roof plan

2 1 : 50

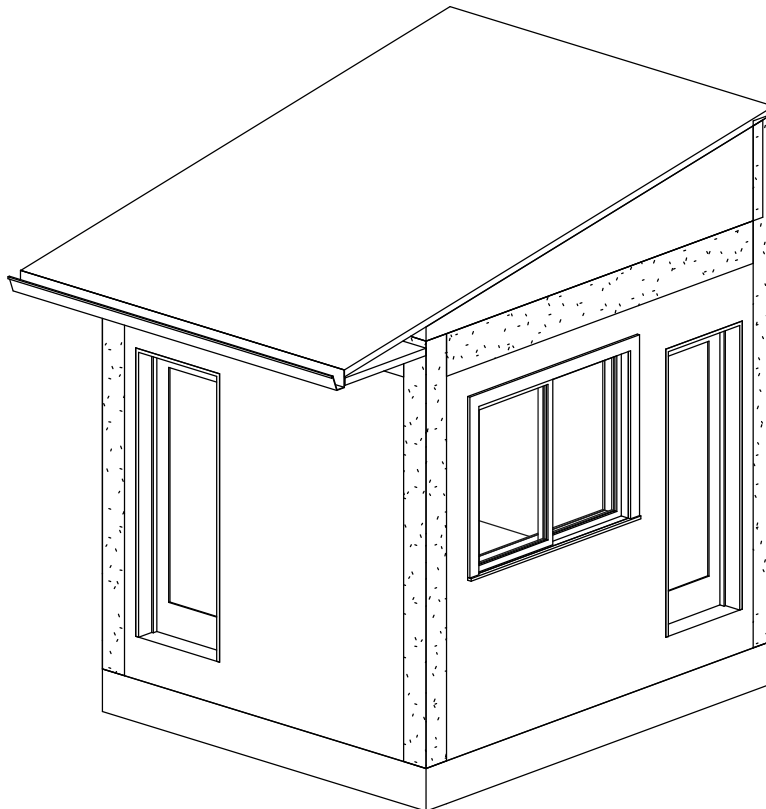
Guard house detail		A3
Drawn by	MAL	
Checked by	IN	Scale 1 : 50



10 Apr 2018 8:28:15 AM



1 Guard house section  
1 : 50



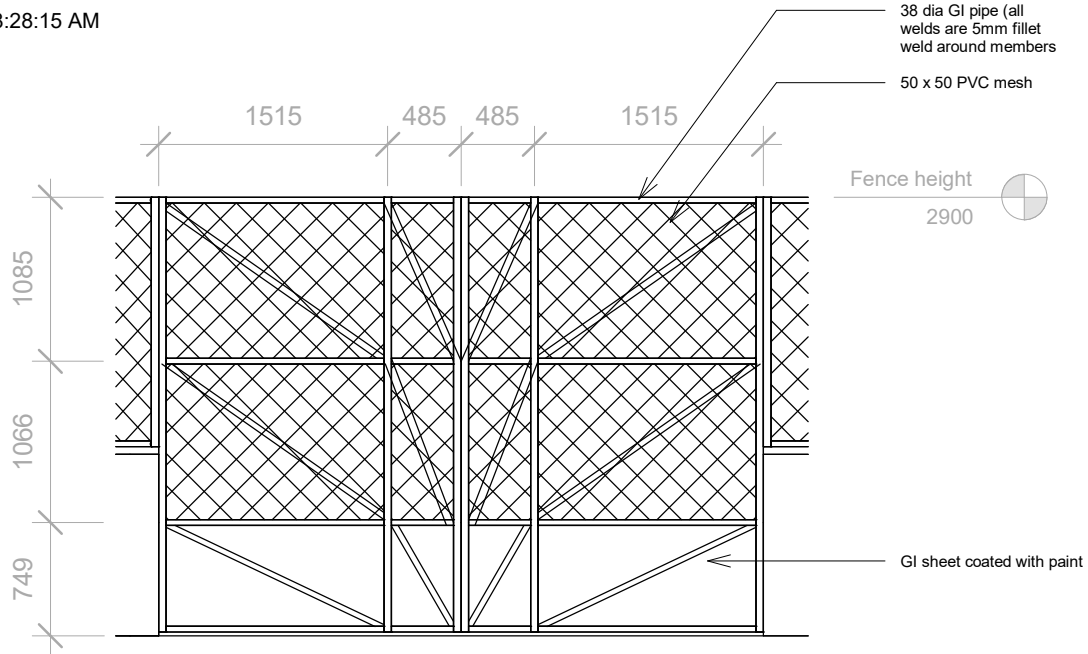
2 Guard house 3D

Guard house details		A4
Drawn by	MAL	
Checked by	IN	Scale 1 : 50

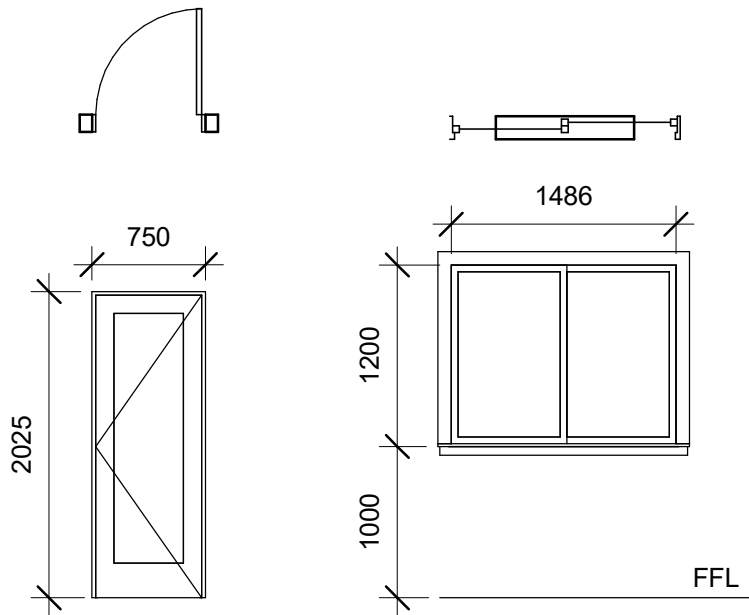


Pumping station 2 boundary wall  
Ministry of Environment and Energy

10 Apr 2018 8:28:15 AM



1 G1  
1 : 50



D1  
Timber door frame  
Timber panel  
Count: 2

W1  
Timber door frame  
Timber panel  
Count: 1  
Open area = 0.89SQM

Door window schedule

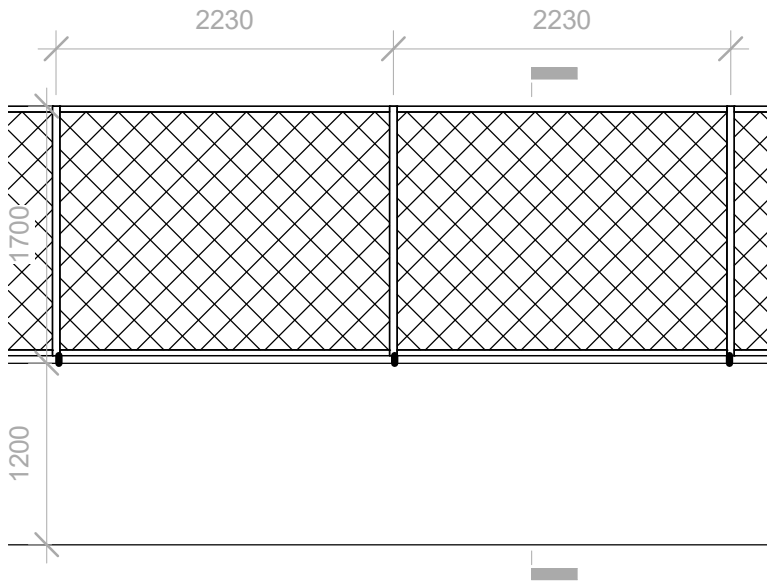
1 : 50

Door window schedule		A5
Drawn by	MAL	
Checked by	IN	Scale 1 : 50



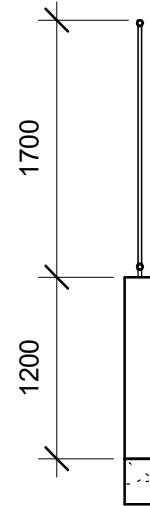
Pumping station 2 boundary wall  
Ministry of Environment and Energy

10 Apr 2018 8:28:15 AM



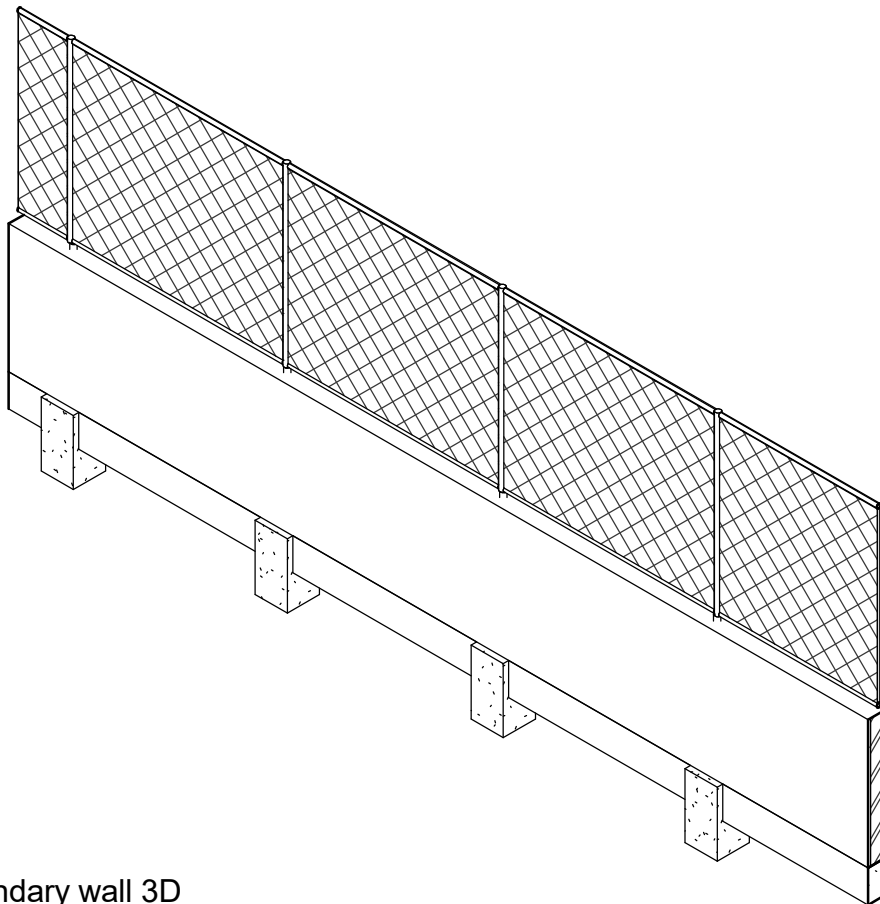
1 Boundary wall elevation

1 : 50



2 Boundary wall section

1 : 50



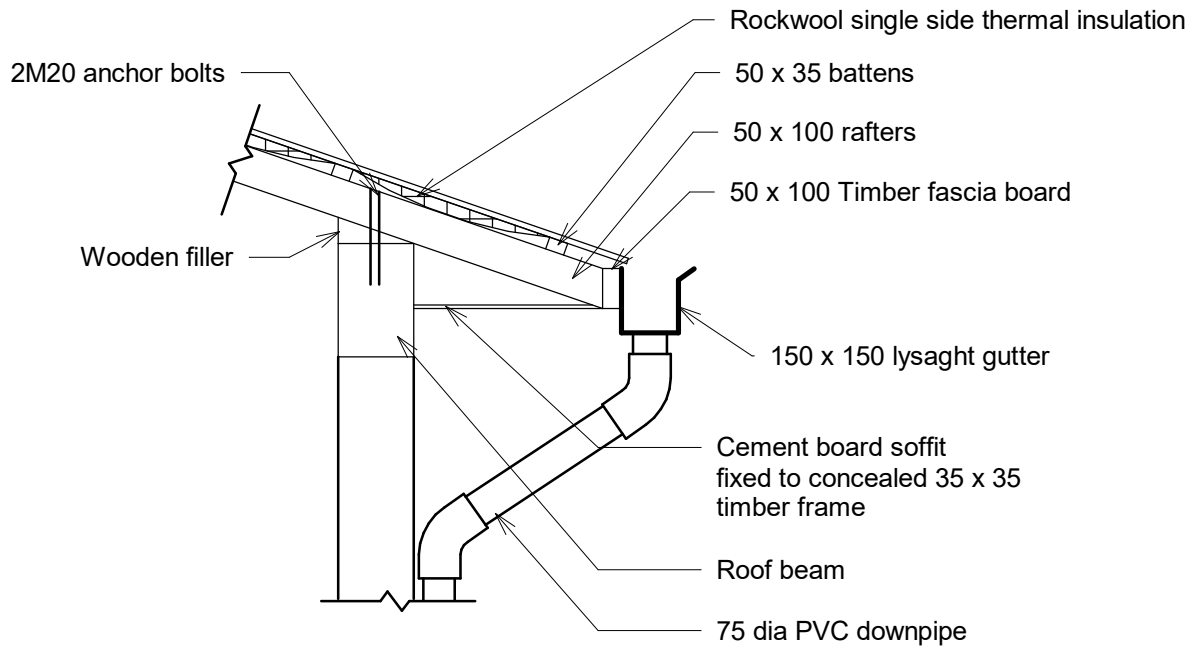
3 Boundary wall 3D

3

Boundary wall details		A6
Drawn by	MAL	
Checked by	IN	Scale 1 : 50



10 Apr 2018 8:28:15 AM



Fixing details

1  
1 : 20

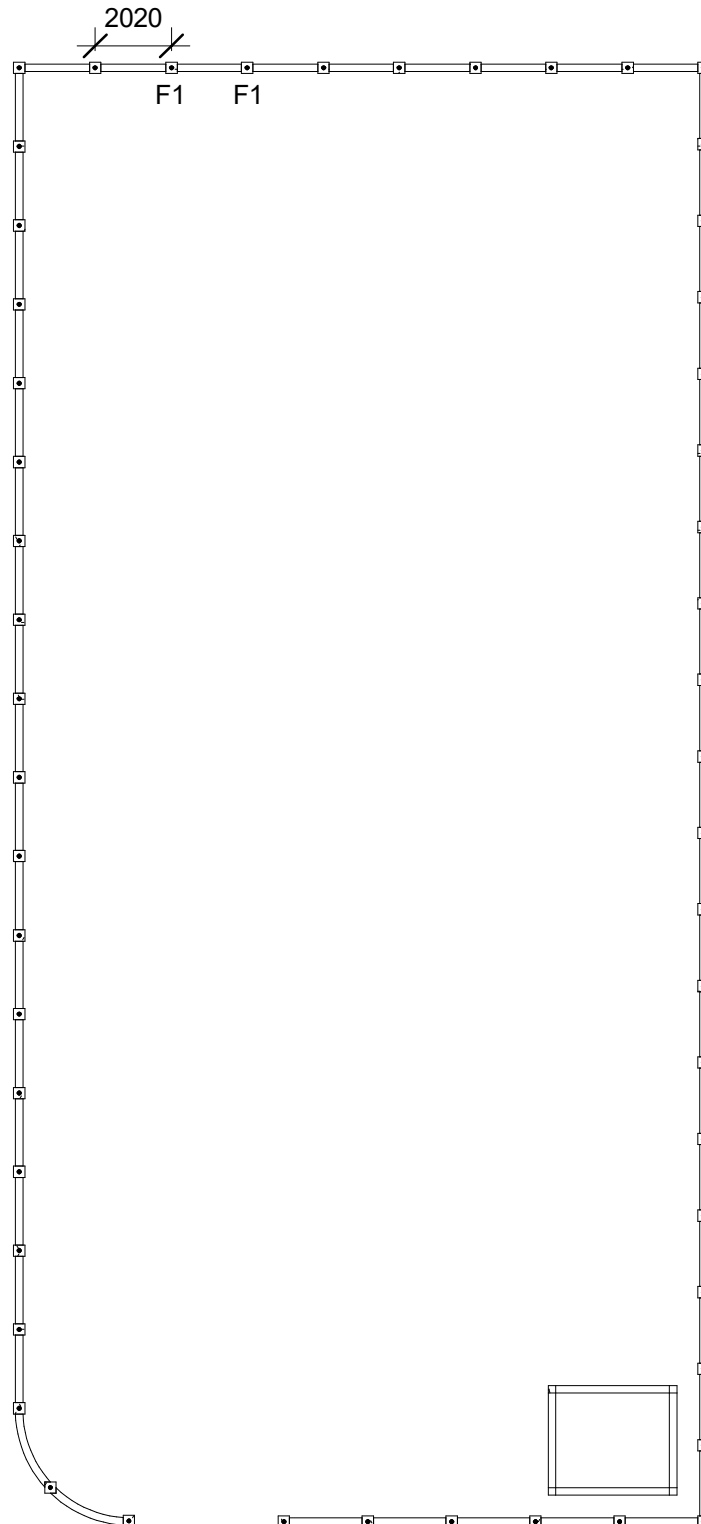
Fixing details		A7
Drawn by	MAL	
Checked by	IN	Scale 1 : 20





Pumping station 2 boundary wall  
Ministry of Environment and Energy

10 Apr 2018 8:28:16 AM



Note: Line footings under masonry wall are of the type FB1  
Boundary wall column foundations are of the type F1

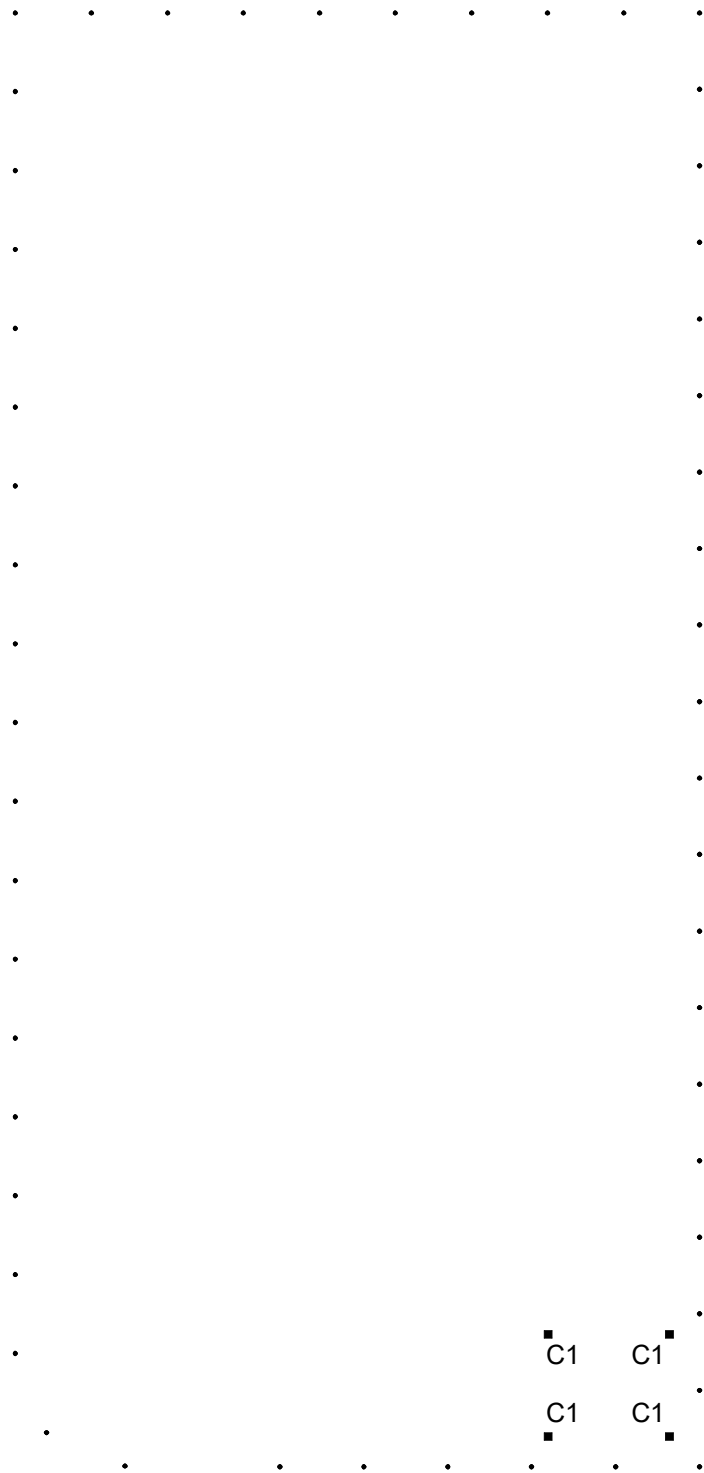
Foundation layout		S1
Drawn by	MAL	
Checked by	IN	Scale 1 : 200



Pumping station 2 boundary wall

Ministry of Environment and Energy

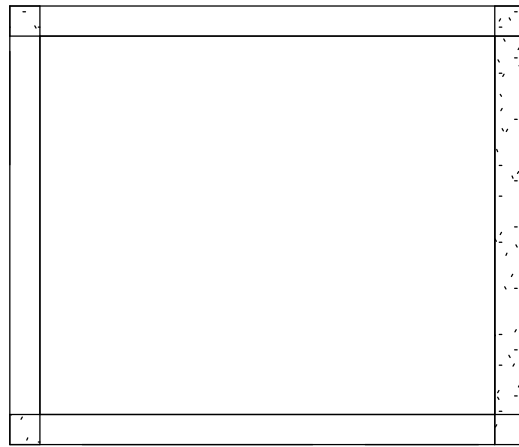
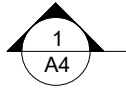
10 Apr 2018 8:28:16 AM



Column plan		S2
Drawn by	MAL	
Checked by	IN	Scale 1 : 200

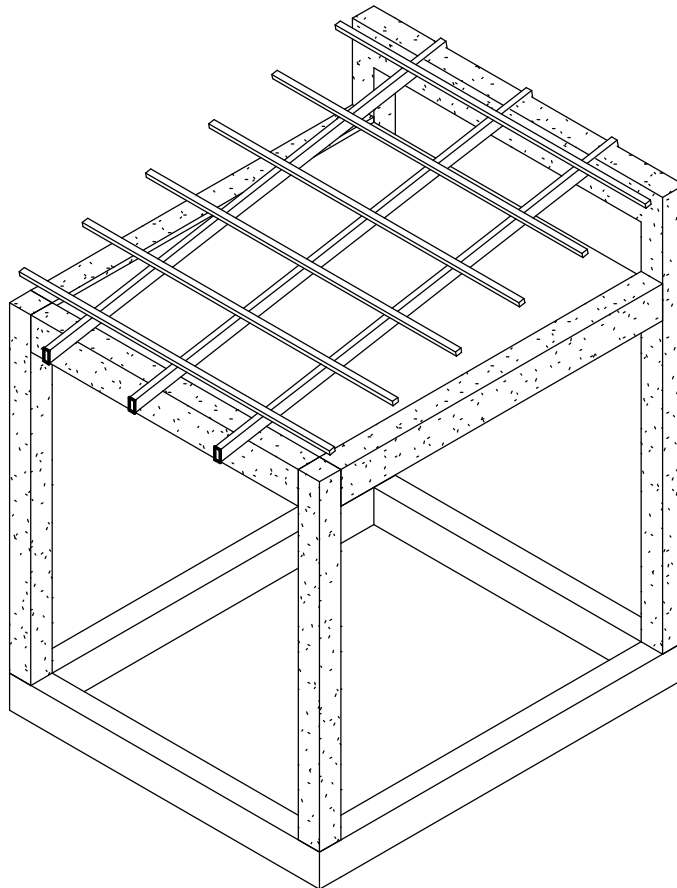


10 Apr 2018 8:28:16 AM



### 1 Guard house Roof beam

1 : 50



### 2 Guardhouse structure

Note: All roof beams are of the type RB1  
All foundation beams are of the type FB1  
All columns are of the type C1

Guard house structure

Drawn by MAL

Checked by IN

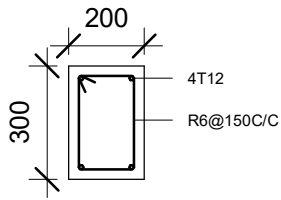
S3

Scale 1 : 50

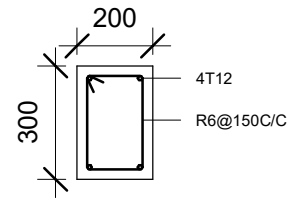


Pumping station 2 boundary wall  
Ministry of Environment and Energy

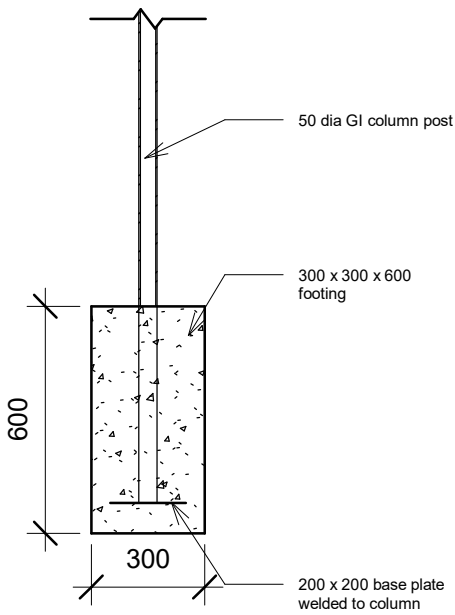
10 Apr 2018 8:28:16 AM



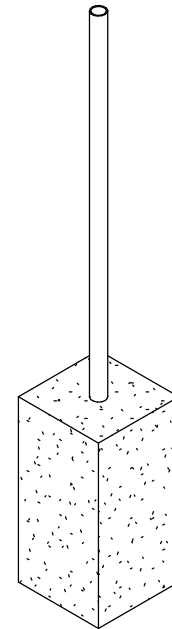
1 FB1  
1 : 20



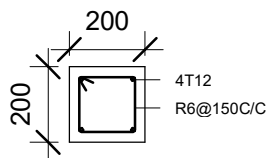
4 RB1  
1 : 20



2 F1 section  
1 : 20



3 F1 3D



5 C1  
1 : 20

Structural details		S4
Drawn by	MAL	
Checked by	IN	Scale 1 : 20