



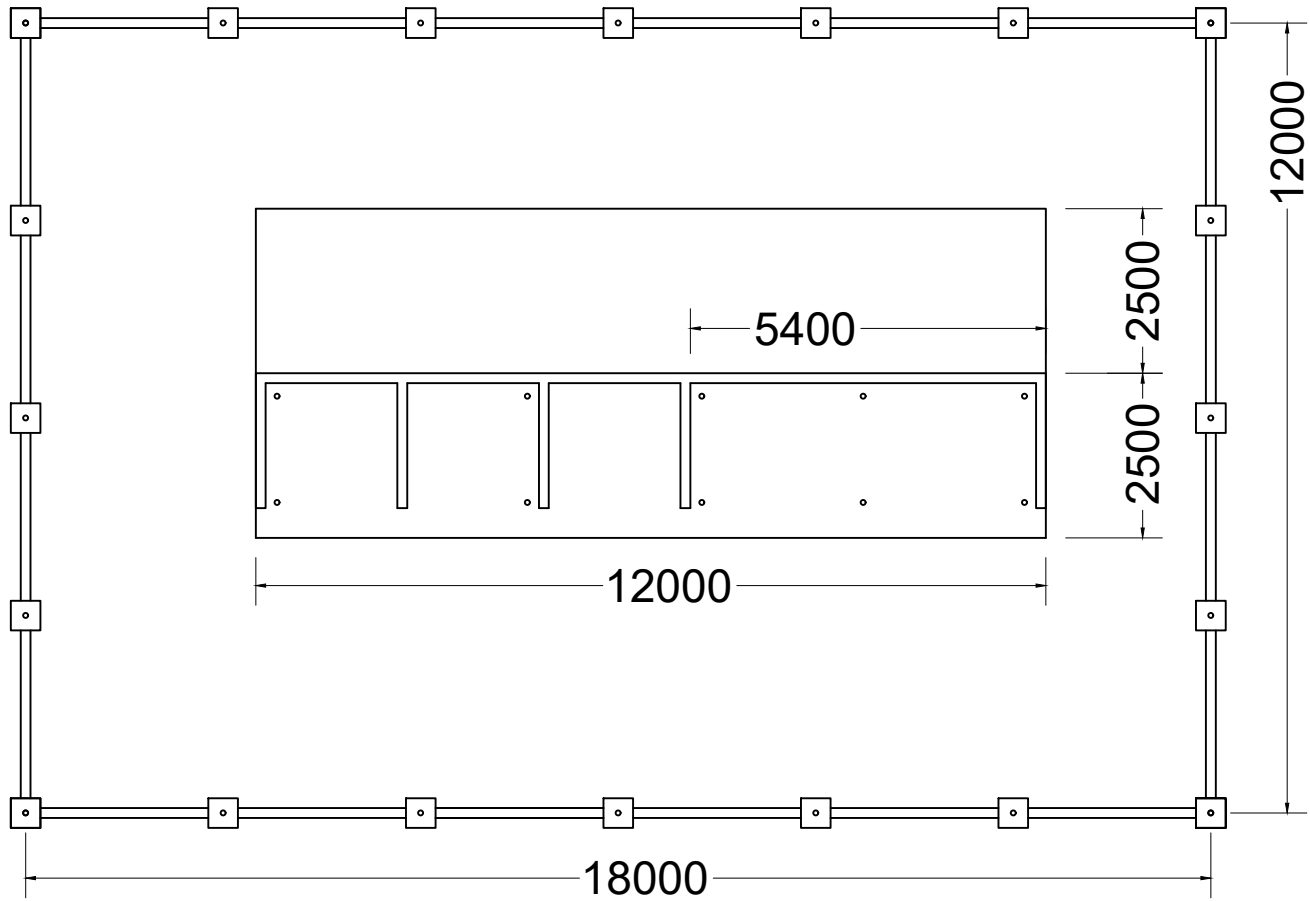
PROJECT:

**CONSTRUCTION OF  
AN ISLAND WASTE MANAGEMENT CENTRE  
For GA. NILANDHOO**

PREPARED BY:

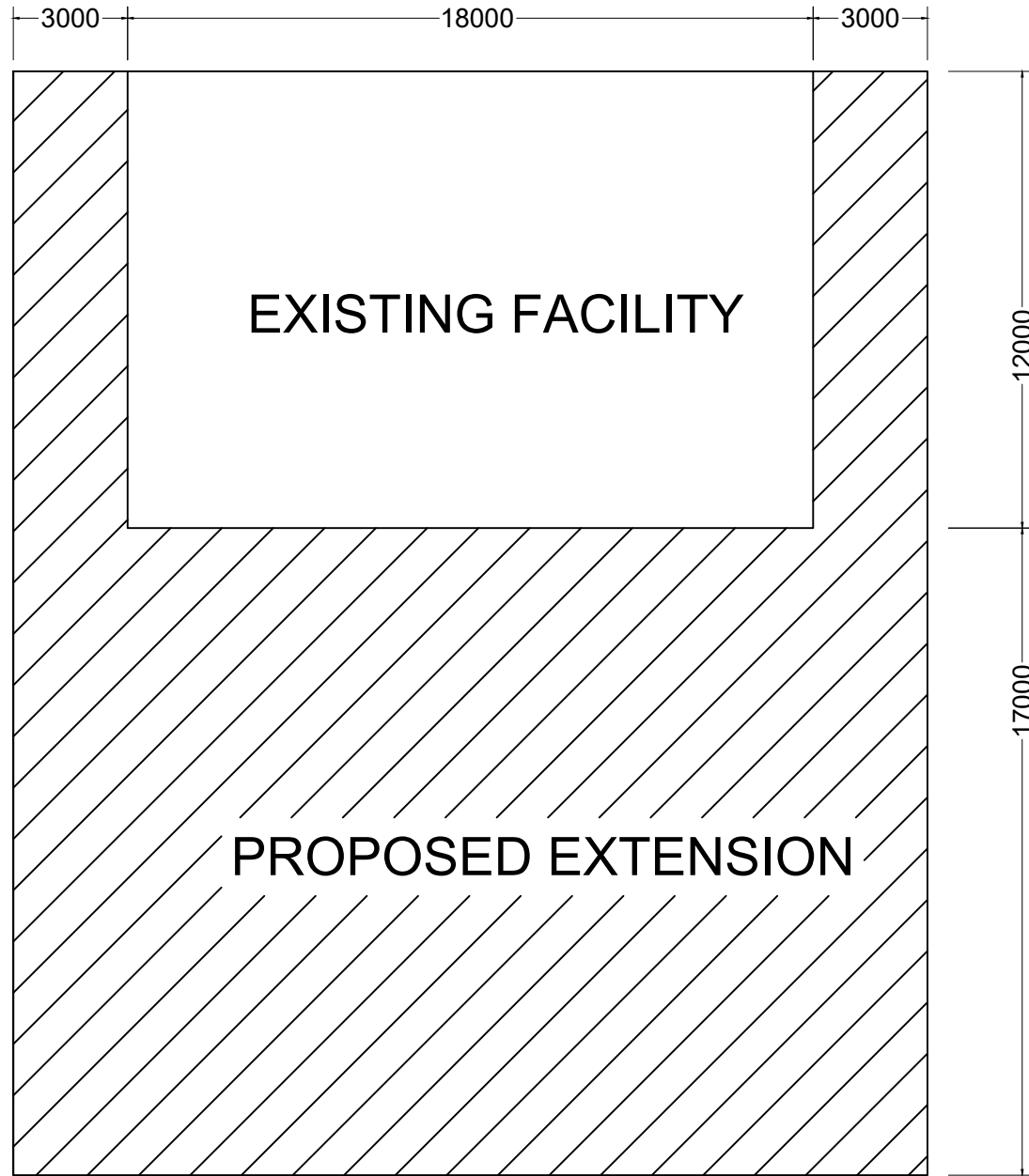
**WASTE MANAGEMENT AND POLLUTION CONTROL DEPARTMENT**  
MINISTRY OF ENVIRONMENT AND ENERGY

APRIL 2017



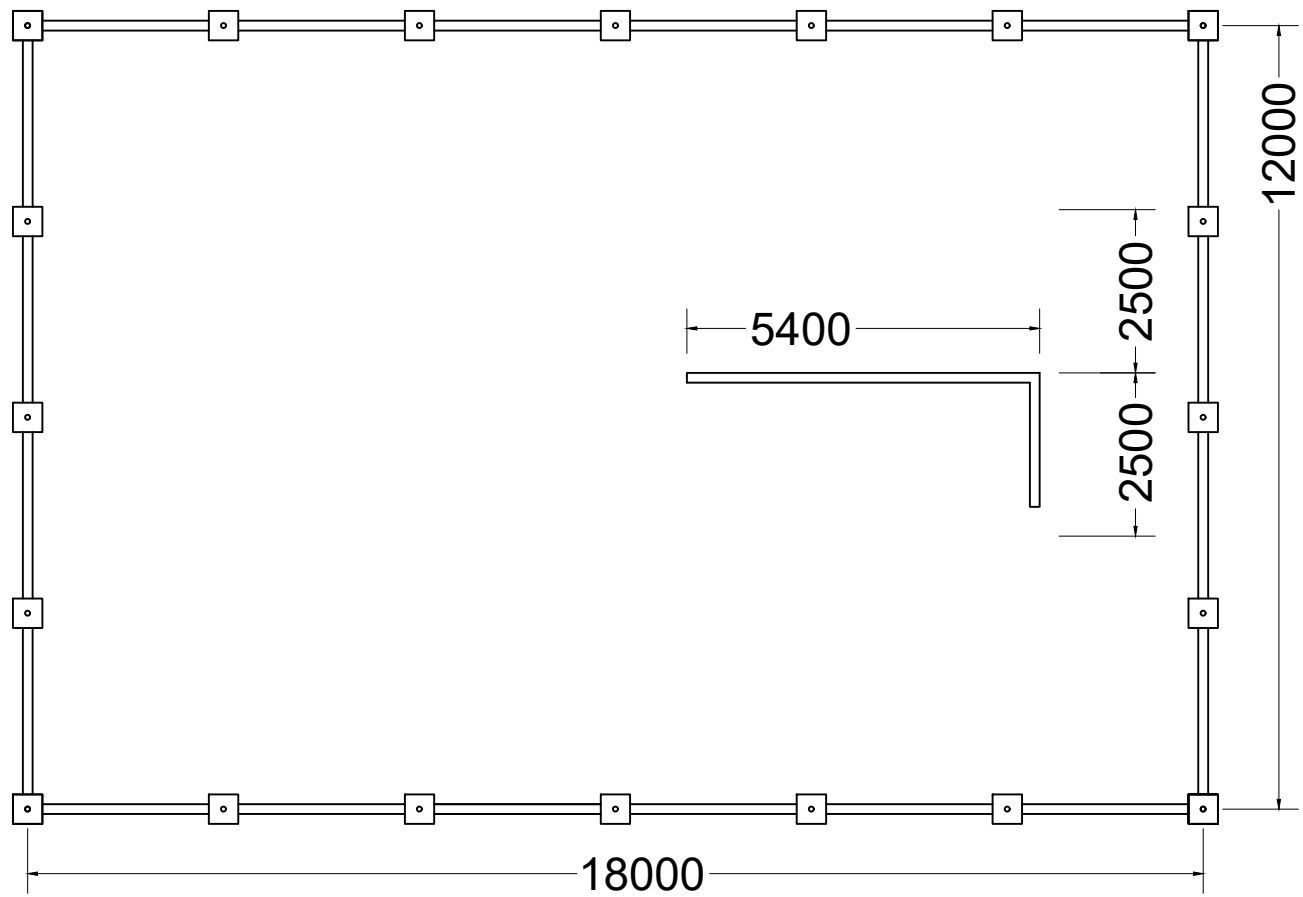
EXISTING SITE LAYOUT





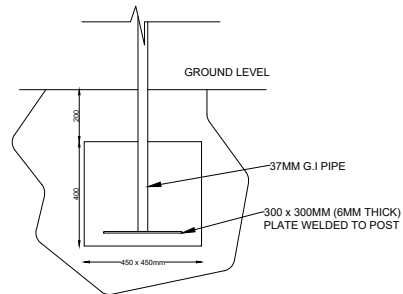
PROPOSED EXTENSION



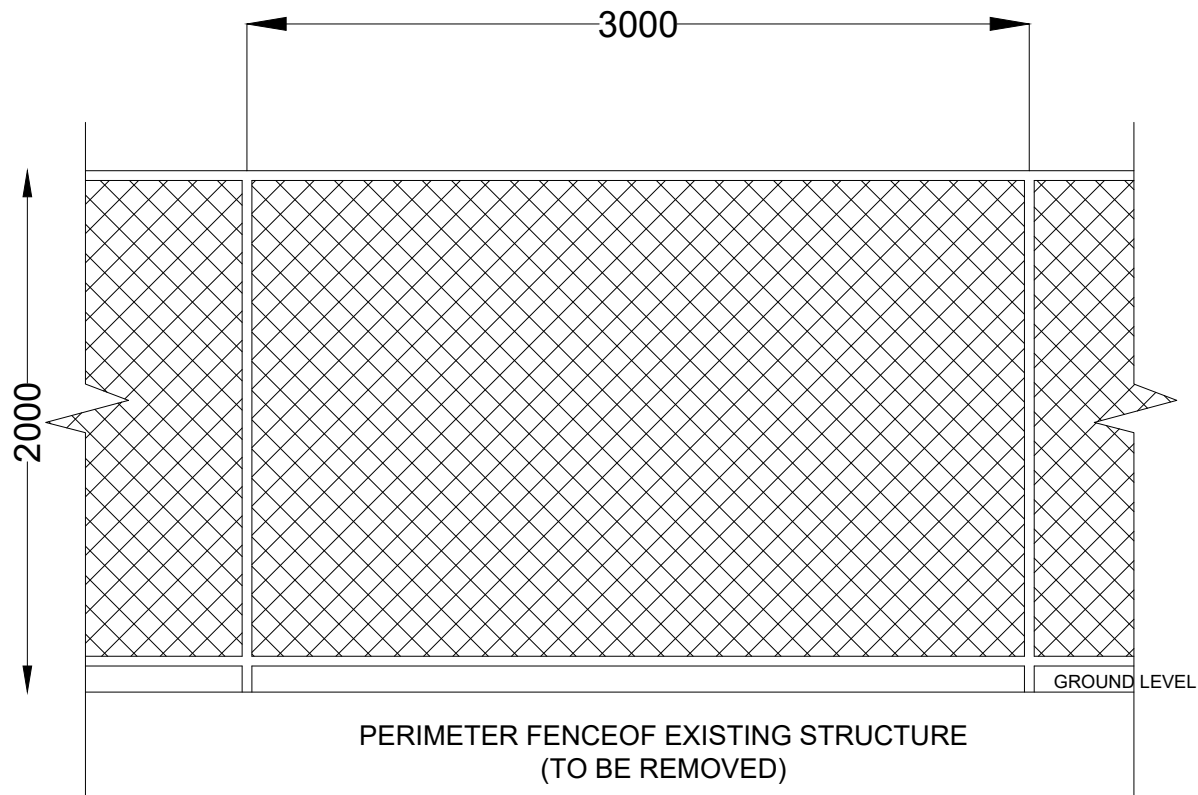


PARTS OF EXISTING LAYOUT TO BE DEMOLISHED OR REMOVED



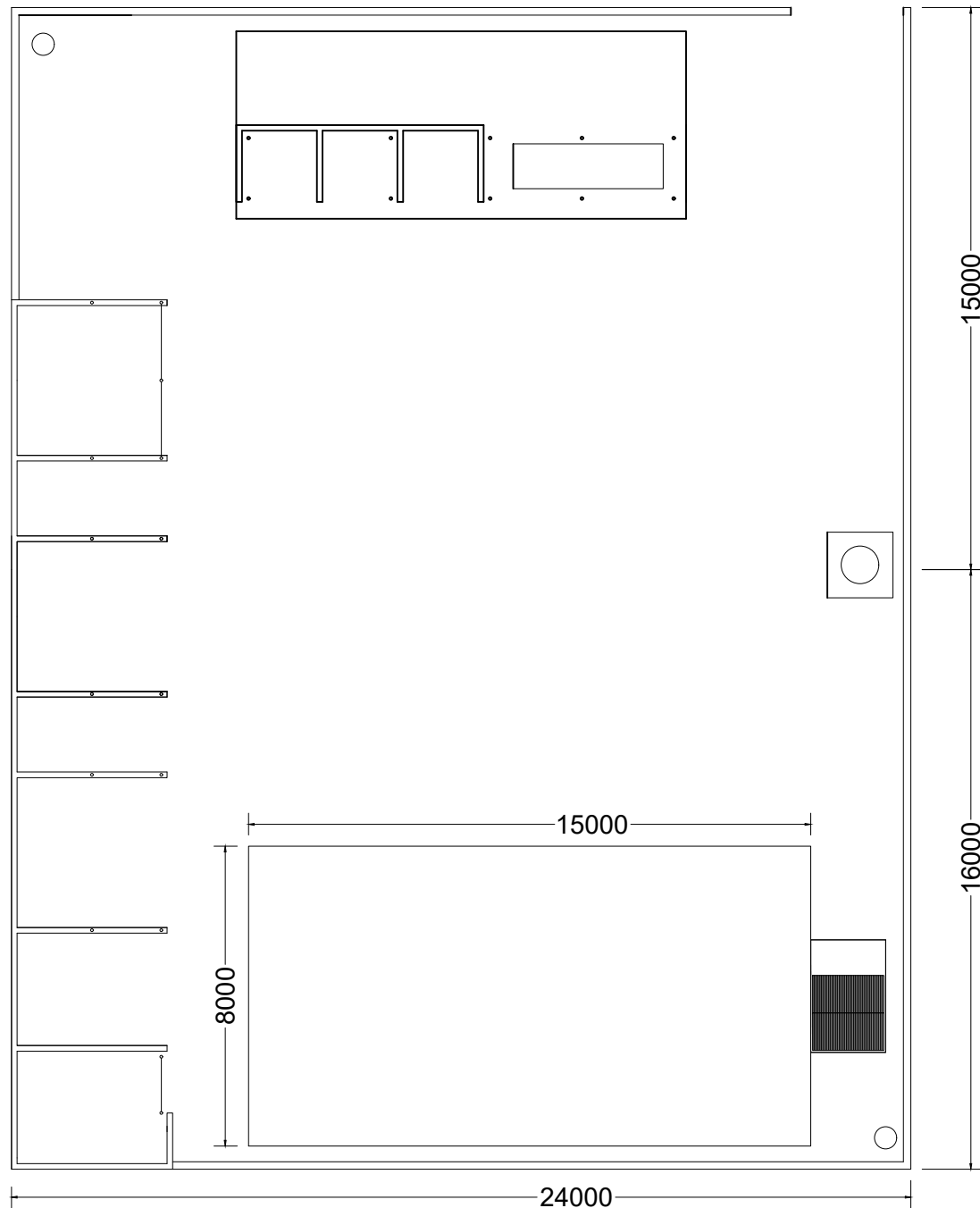


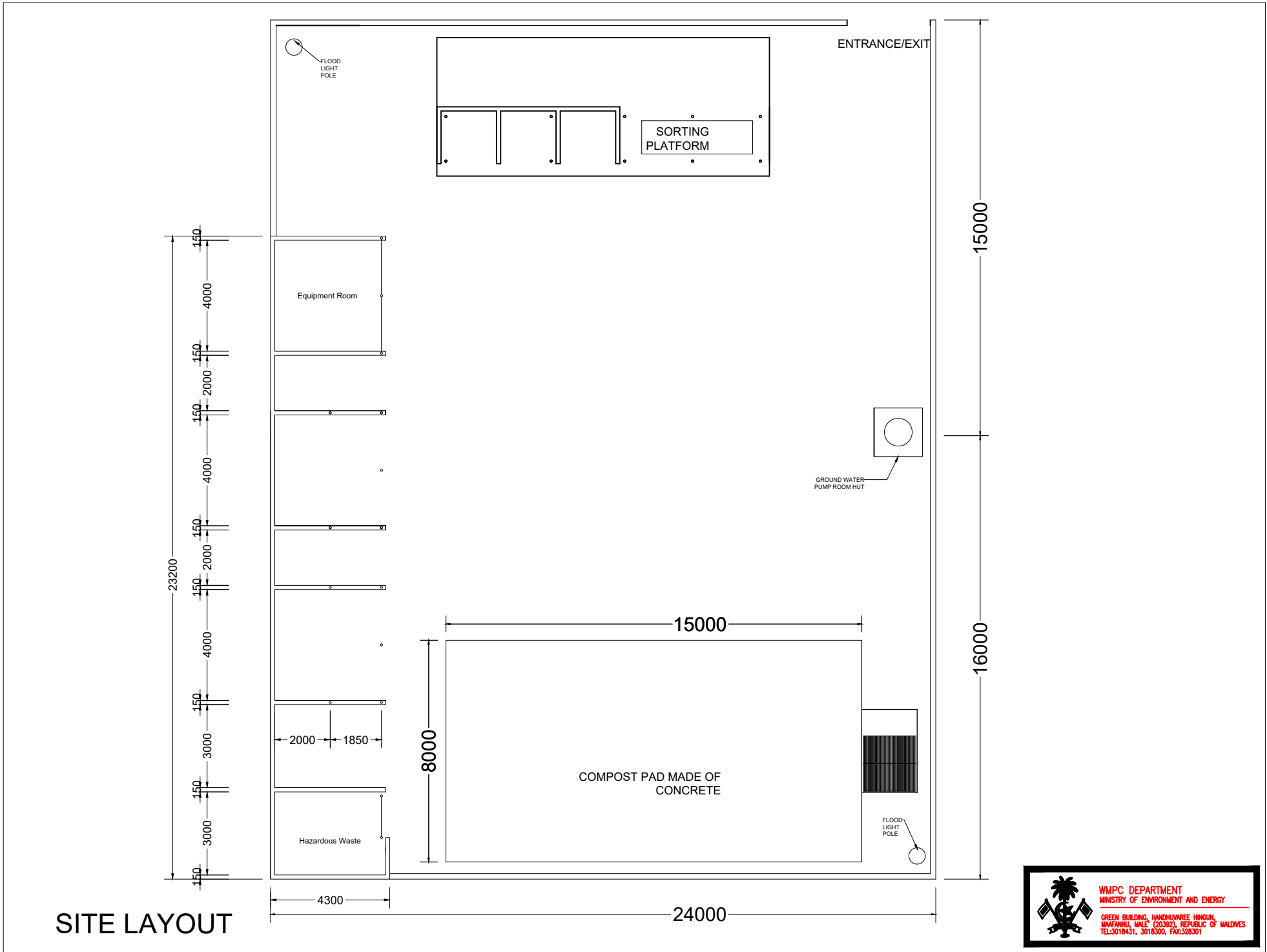
FOUNDATION DETAIL OF EXISTING PERIMETER FENCE  
 TOTAL NUMBER OF COLUMNS: 26  
 (TO BE REMOVED)



DETAILS OF PARTS TO BE DEMOLISHED OR REMOVED

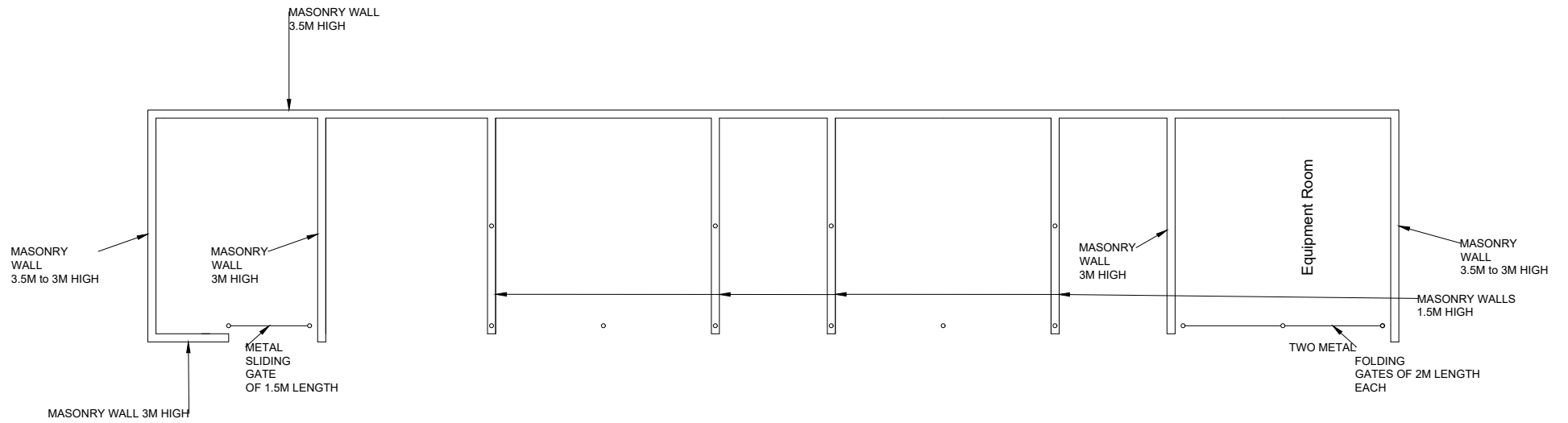
# SITE LAYOUT





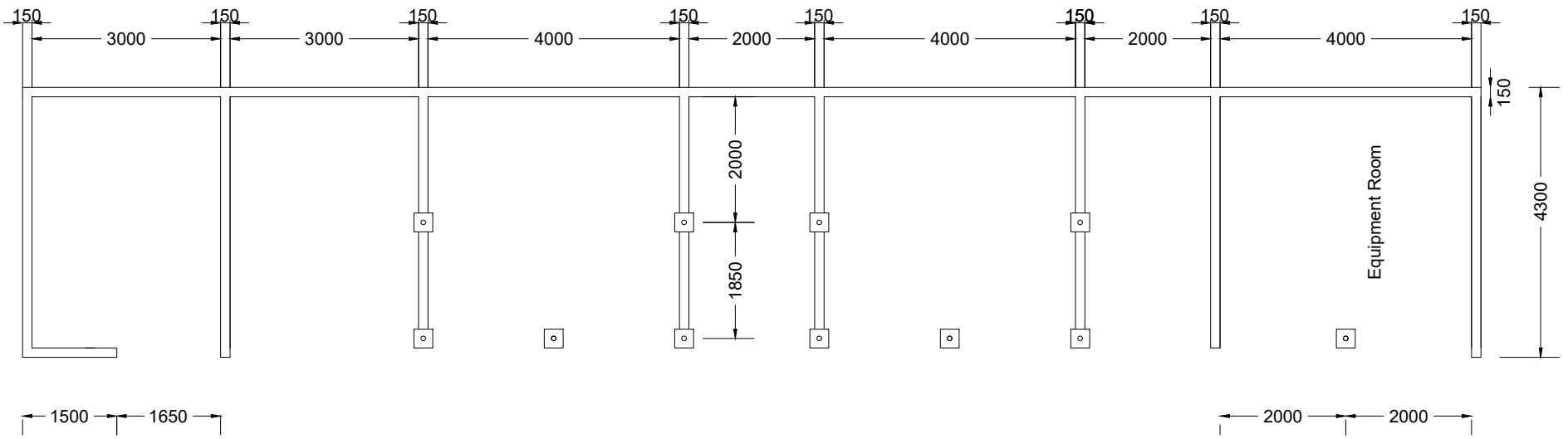
**SITE LAYOUT**





# COLLECTION BAY - PLANS

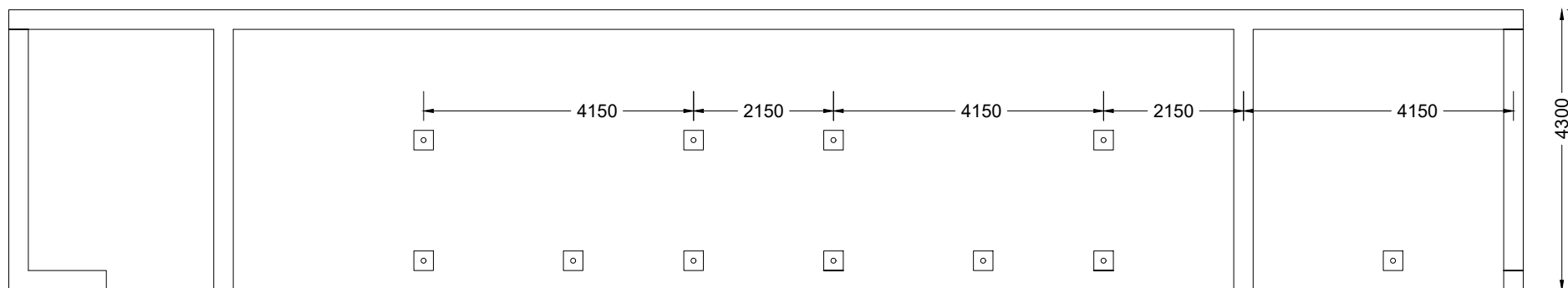




FLOOR PLAN

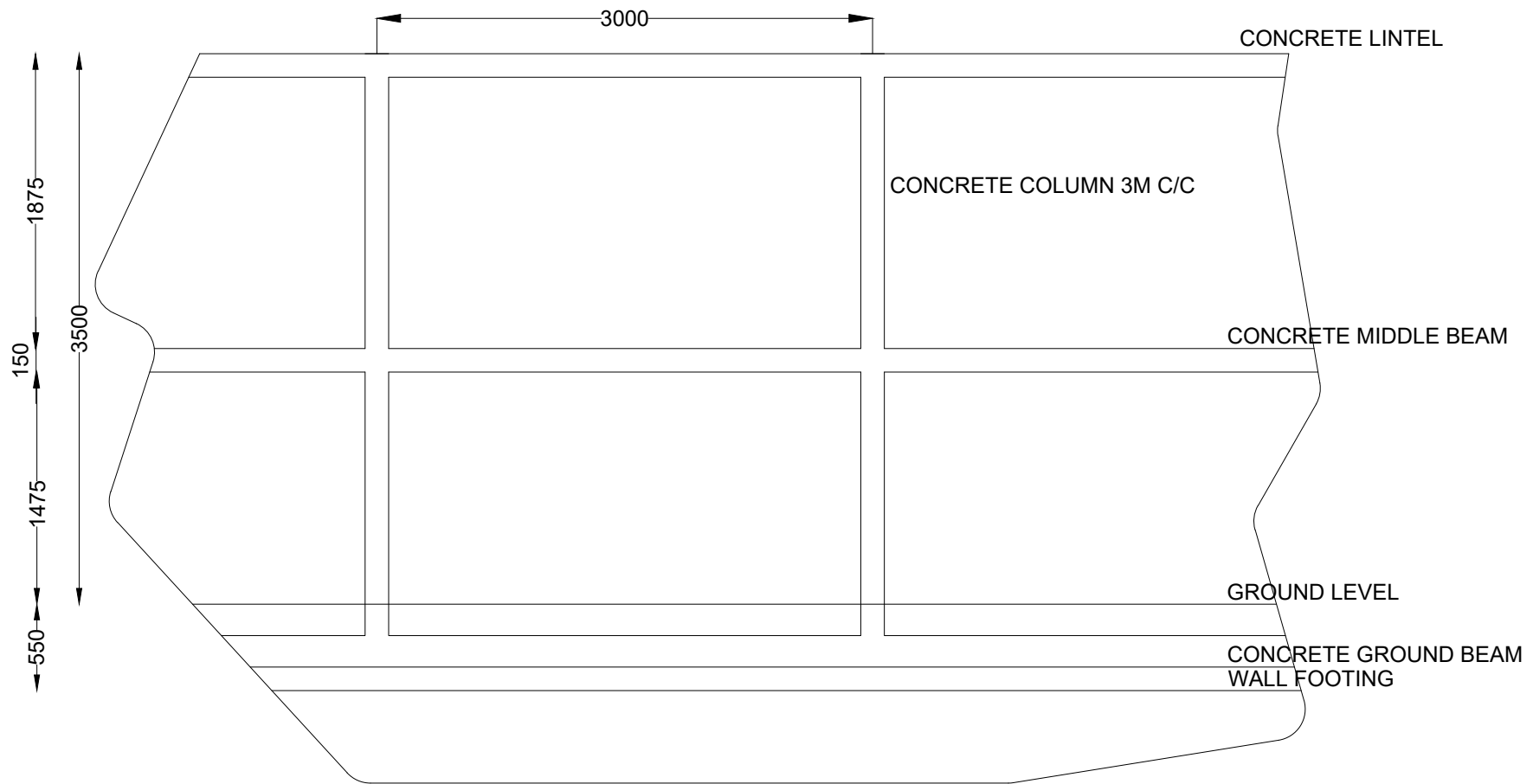
COLLECTION BAY - FLOOR PLAN





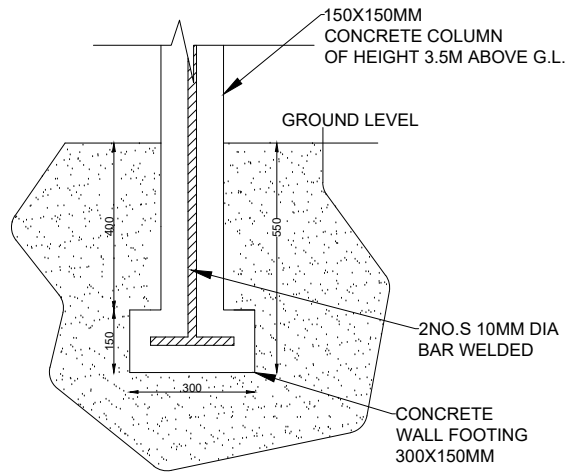
# COLLECTION BAY - FOUNDATION PLAN



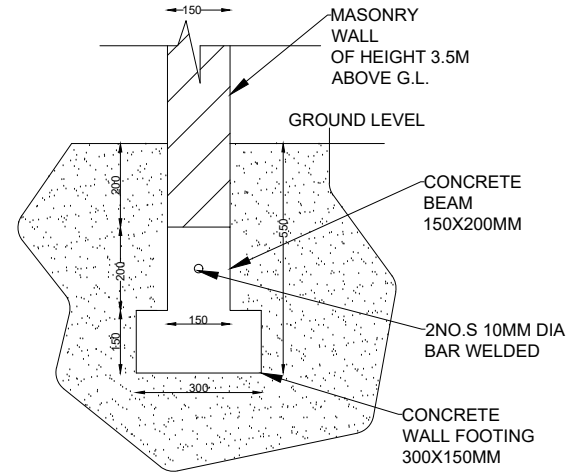


# COLLECTION BAY - WALL

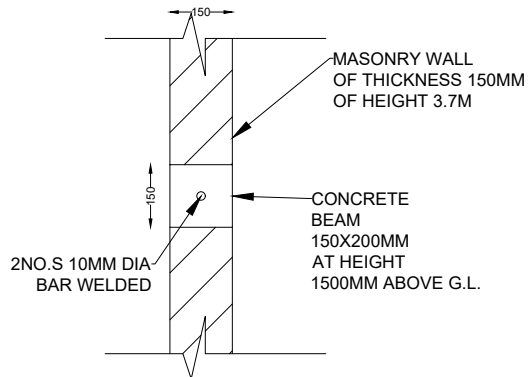




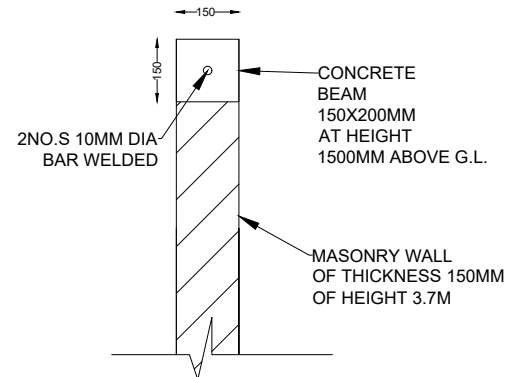
COLUMN DETAILS



BEAM AND WALL FOOTING DETAILS

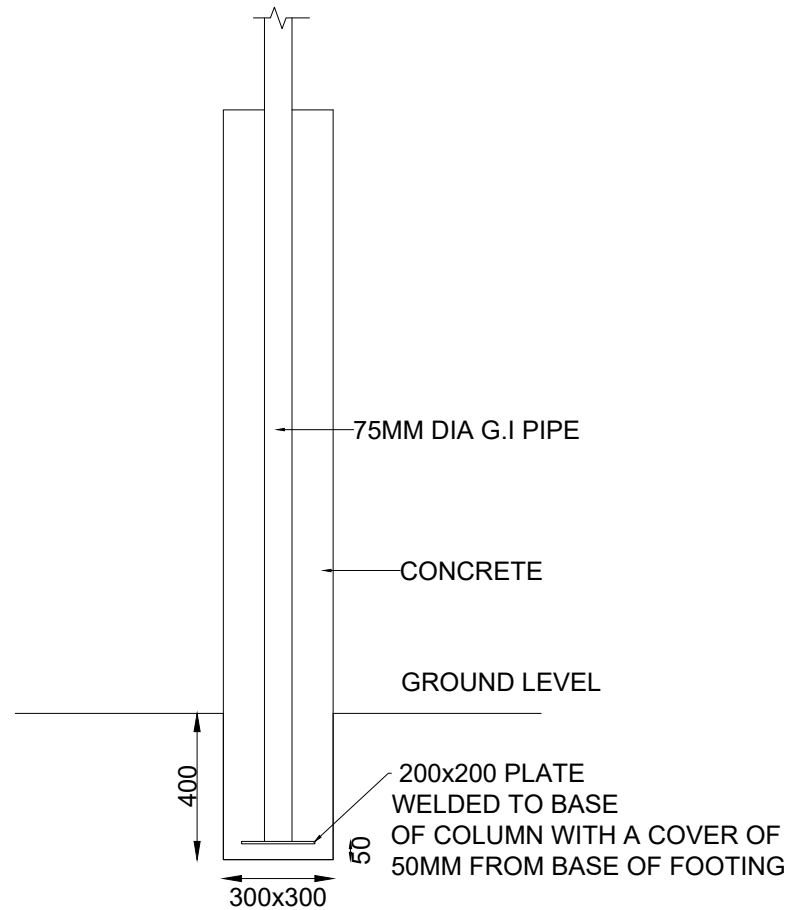


MIDDLE BEAM DETAILS



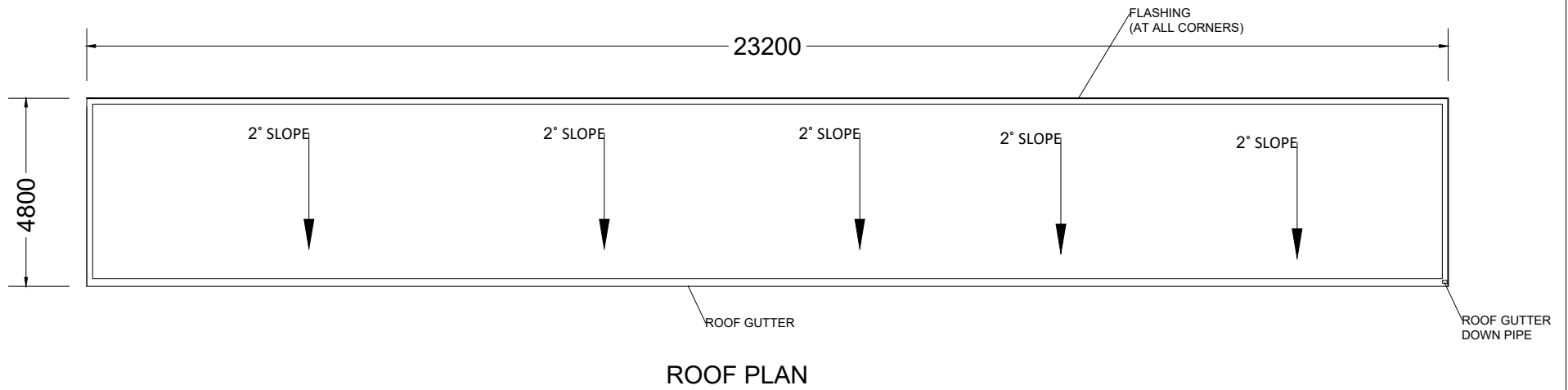
LINTEL DETAILS

COLLECTION BAY - WALL DETAILS



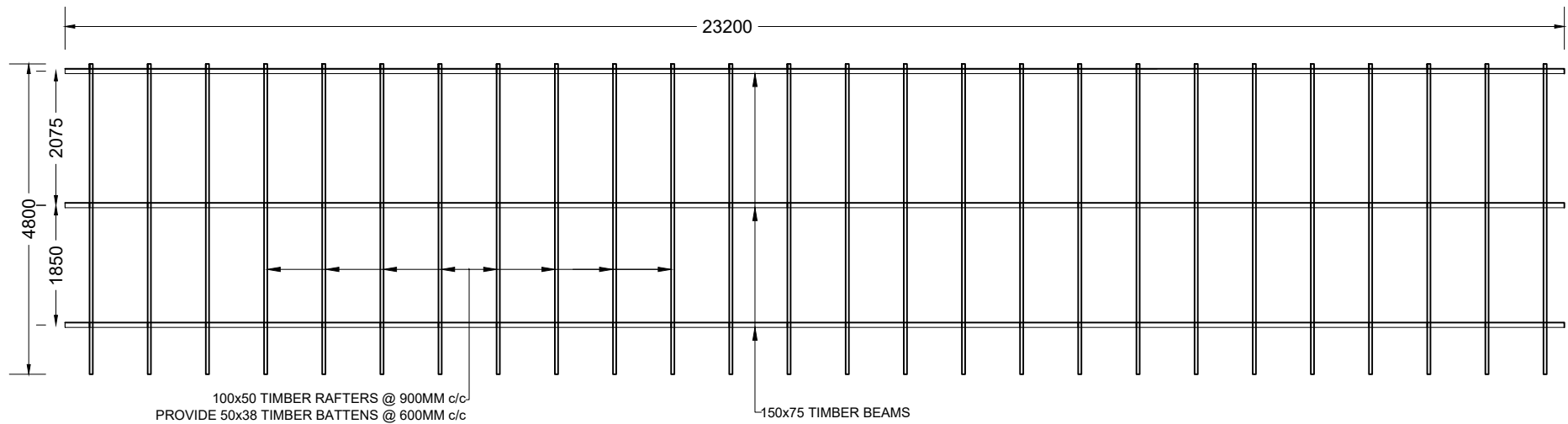
COLLECTION BAY  
G.I. PIPE COLUMN FOUNDATION

COLLECTION BAY - G.I PIPE COLUMN FOUNDATION DETAILS



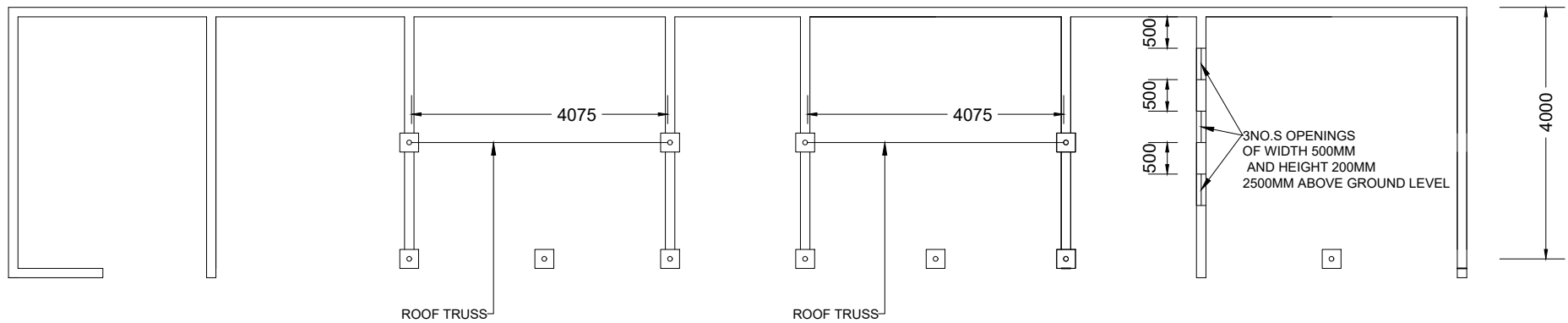
COLLECTION BAY - ROOF PLAN





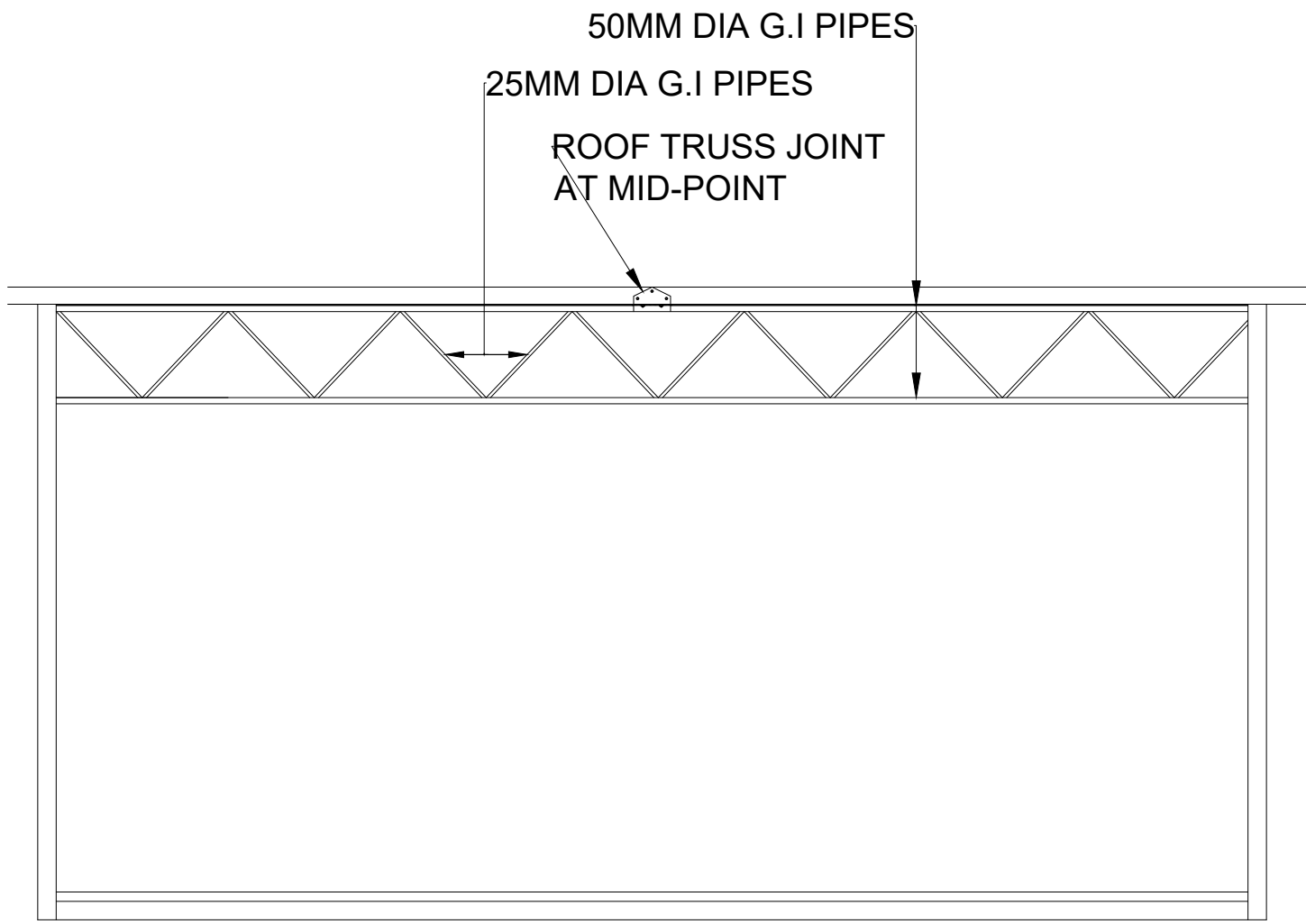
## COLLECTION BAY - ROOF FRAMING PLANS



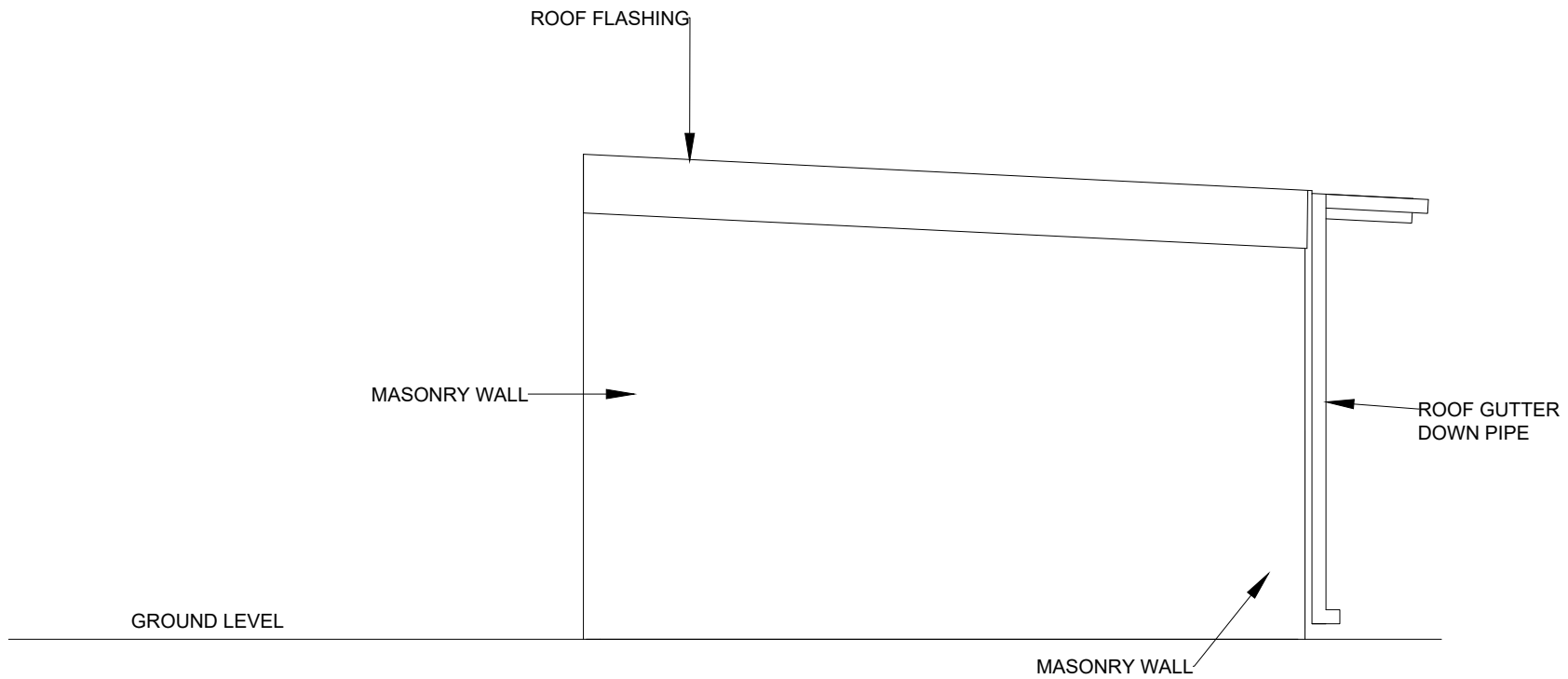


COLLECTION BAY - ROOF TRUSS PLAN

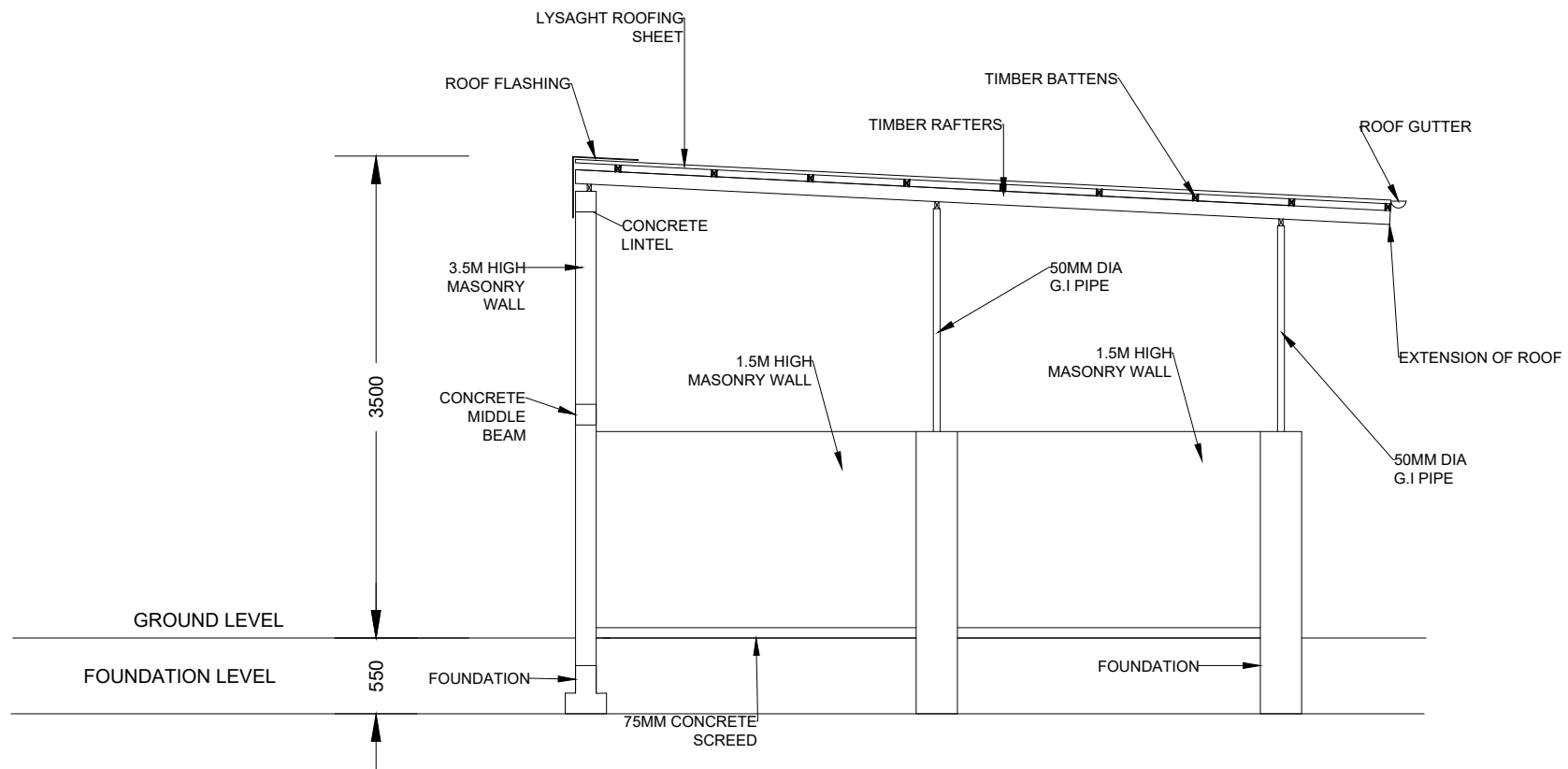




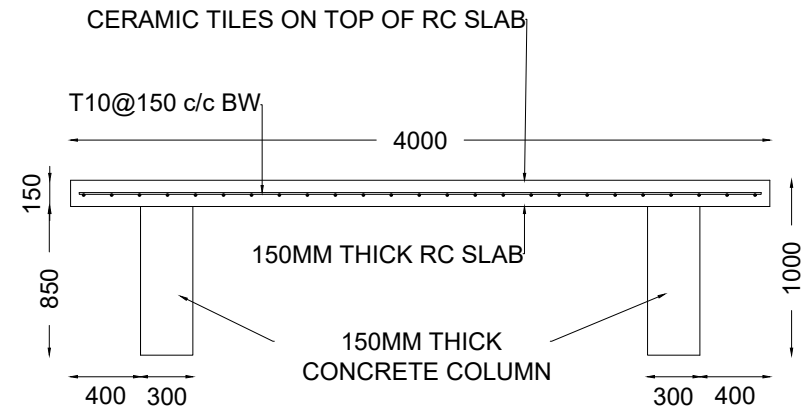
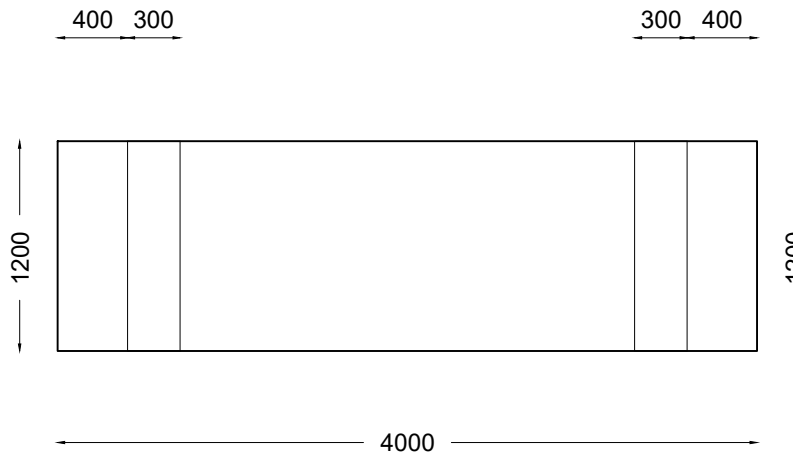
COLLECTION BAY - TRUSS DETAILS



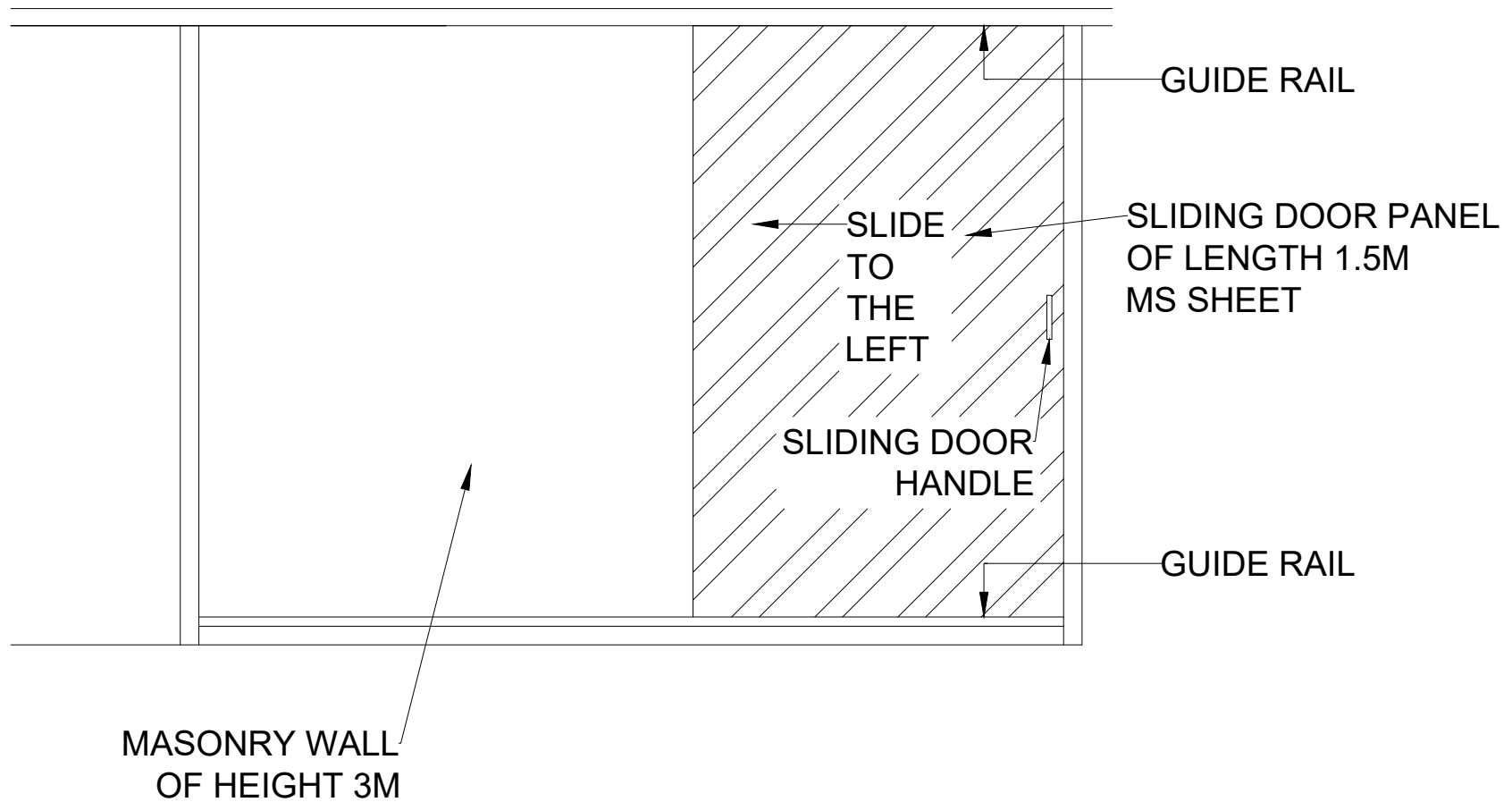
COLLECTION BAY - SIDE ELEVATION



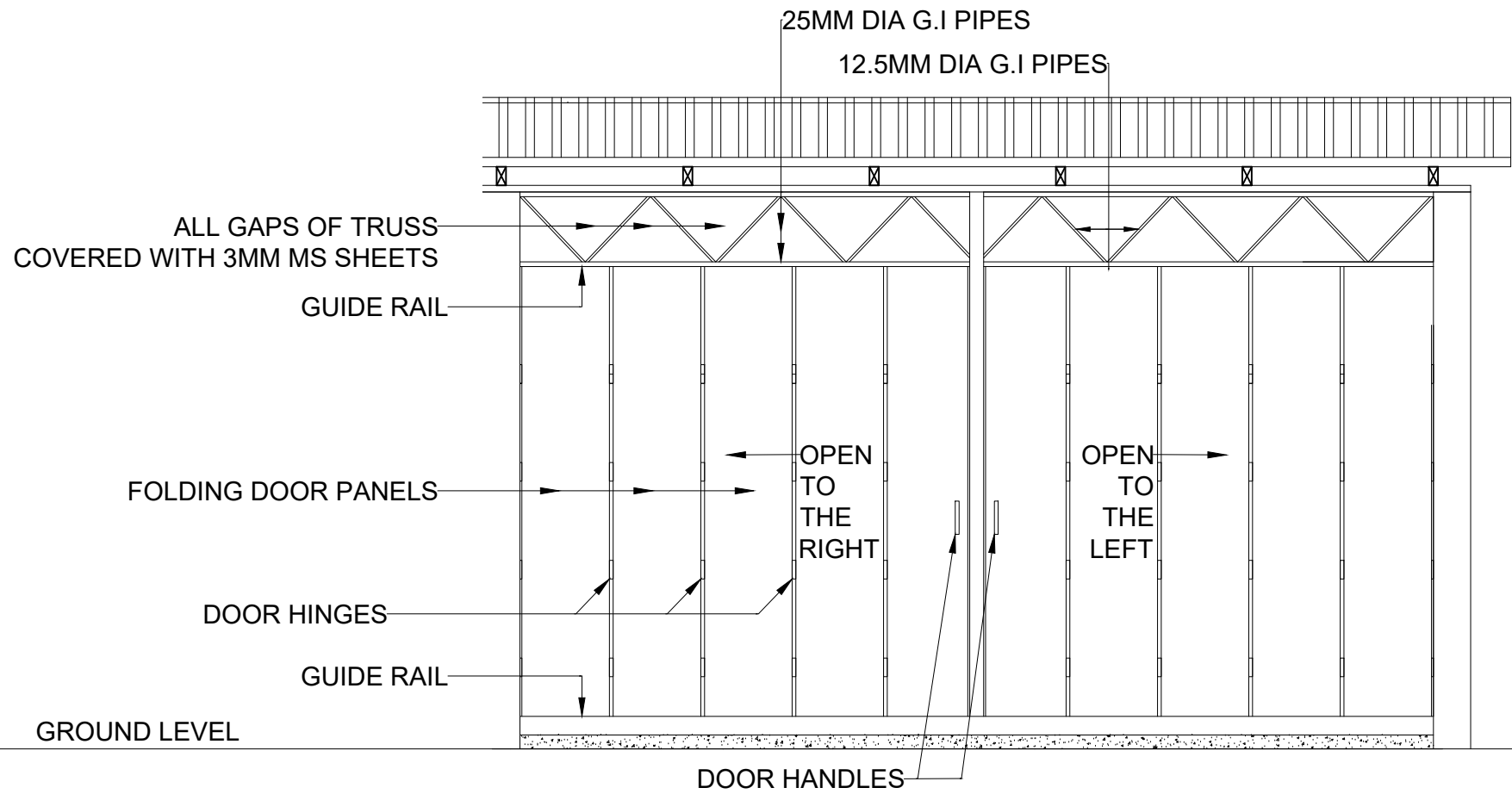
COLLECTION BAY - CROSS SECTION



**SORTING AREA - SORTING PLATFORM DETAILS**

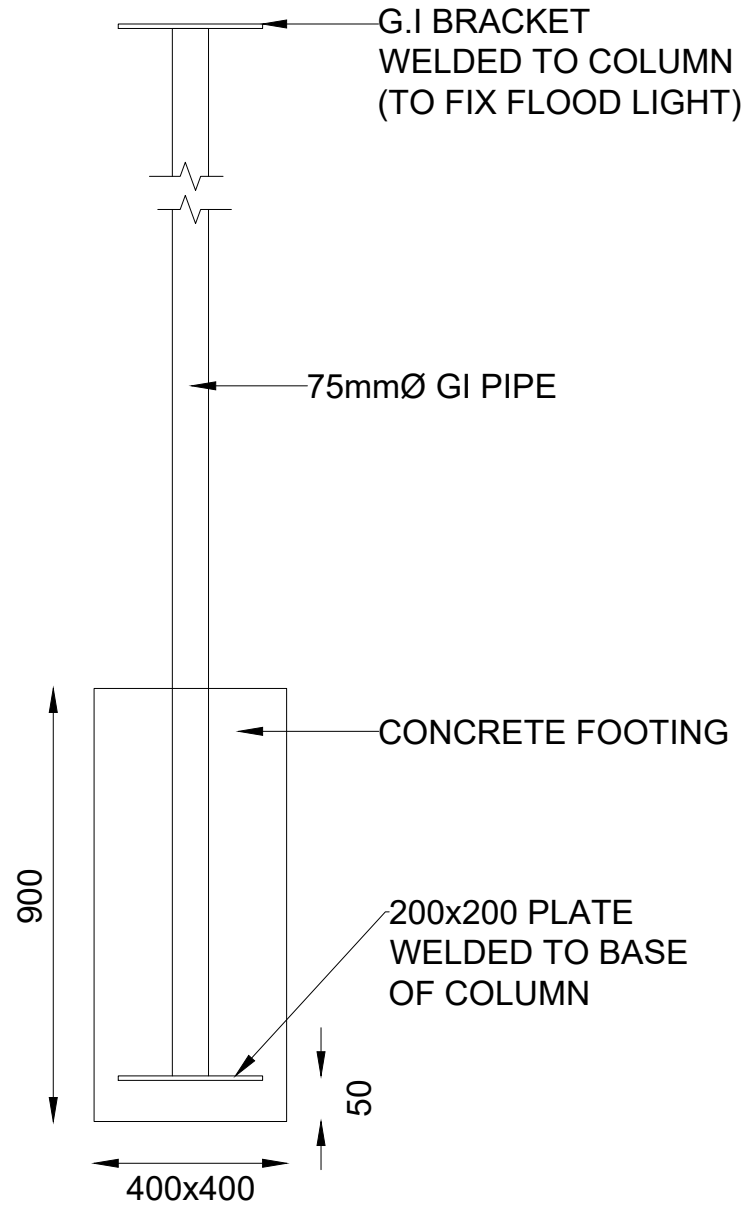


## HAZARDOUS WASTE STORAGE ROOM - METAL SLIDING DOOR DETAIL

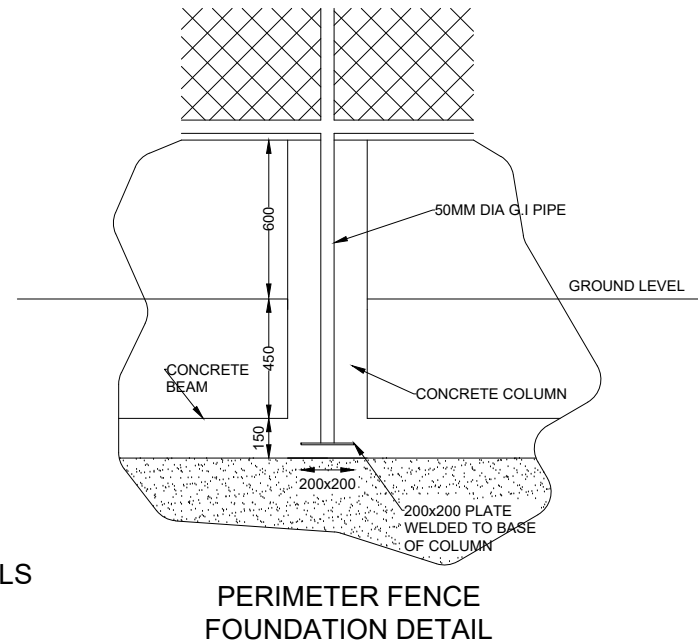
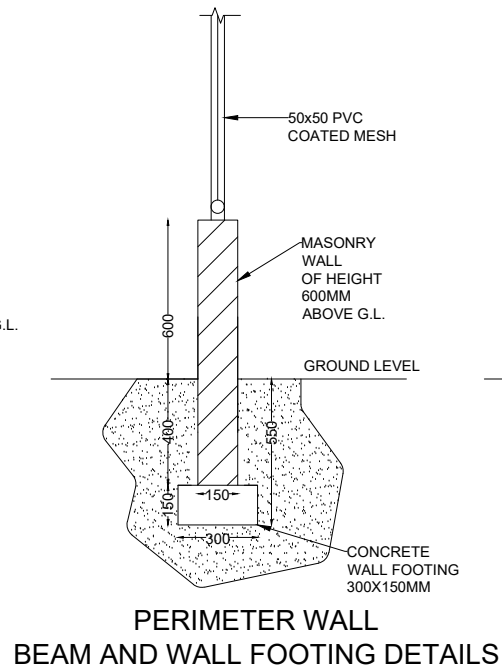
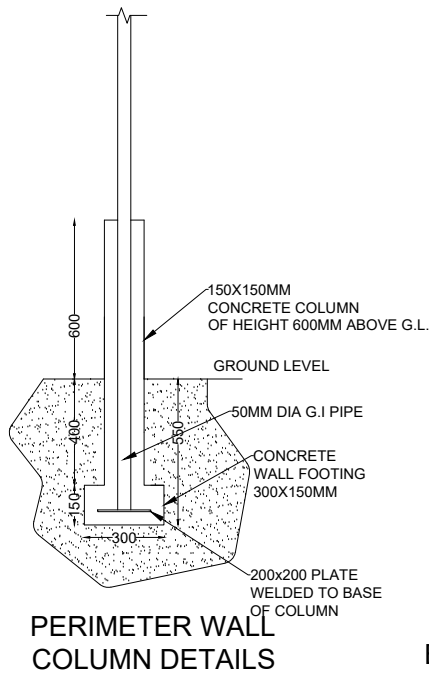


NOTE: ALL WELDS FOR TRUSS MEMBERS  
ARE 5MM FILLET WELDS

## EQUIPMENT ROOM - METAL SLIDING DOOR DETAIL

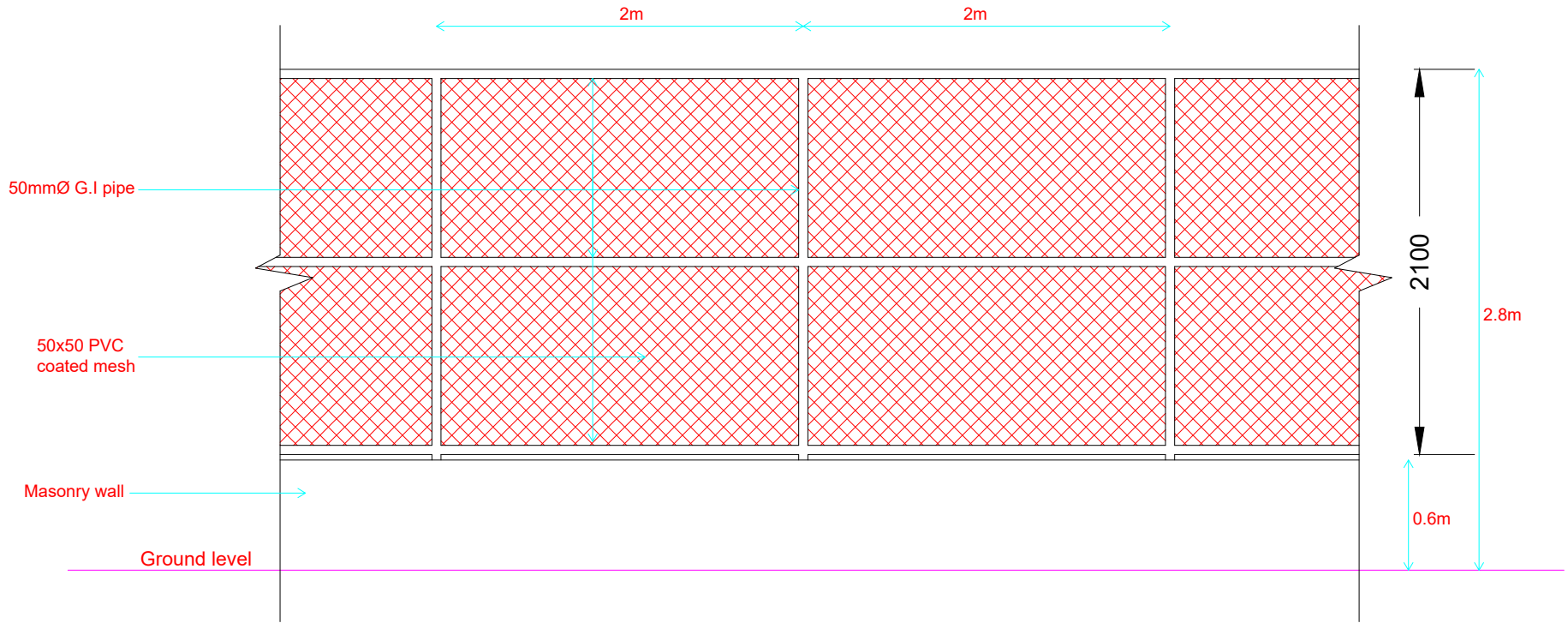


FLOOD LIGHT FOUNDATION DETAILS



## BOUNDARY WALL - BEAM AND COLUMN DETAILS



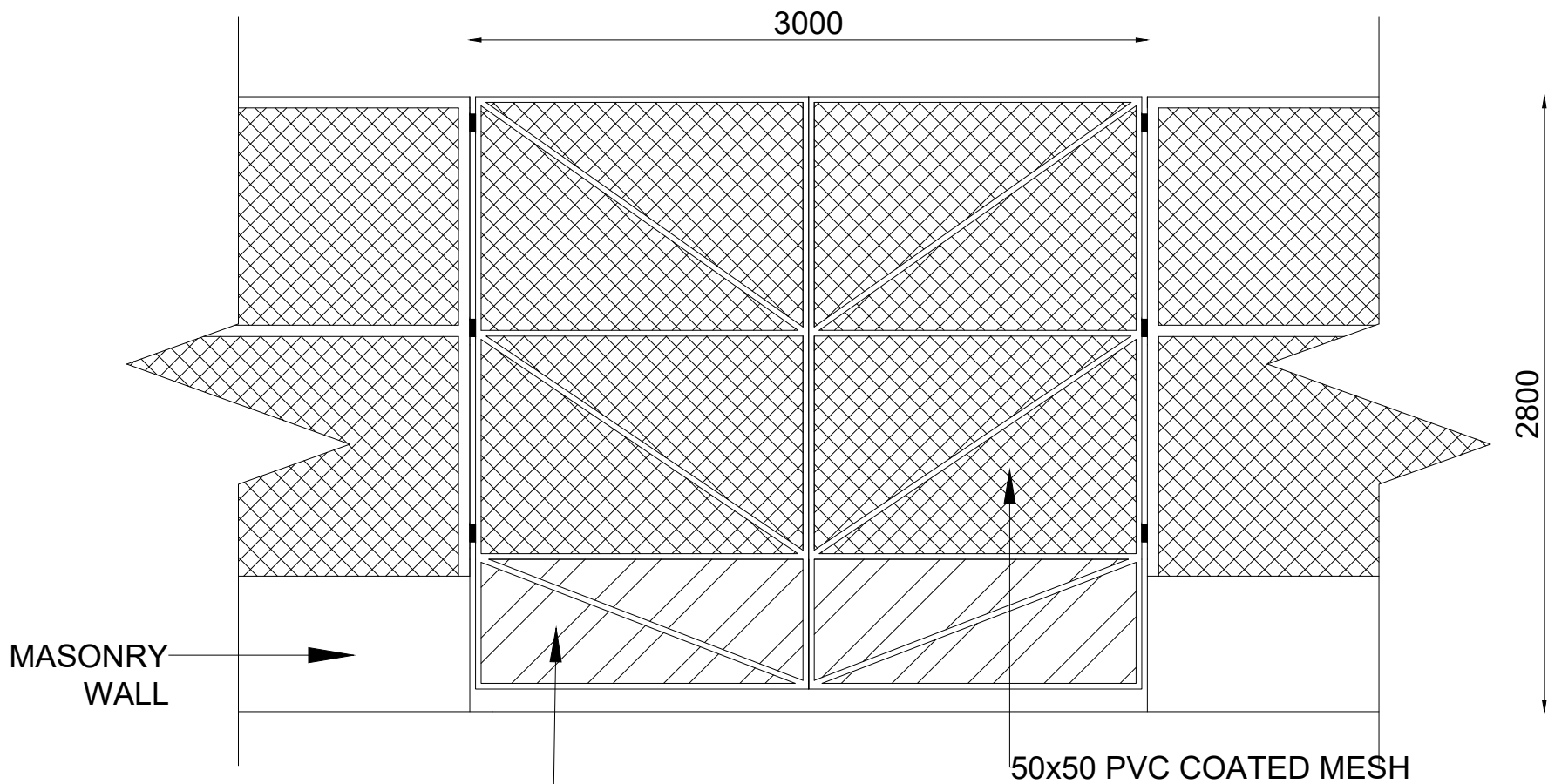


PERIMETER FENCE

NOTE: ALL WELDS  
ARE 5mm FILLET  
WELD AROUND  
MEMBER

FENCE DETAILS

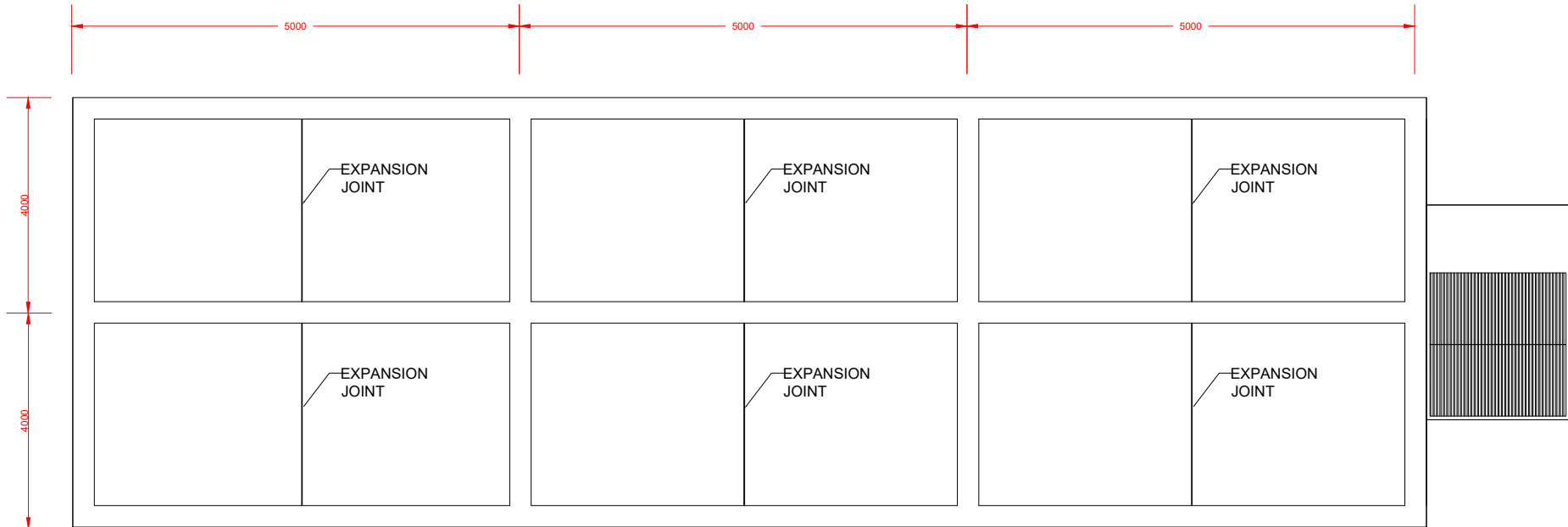




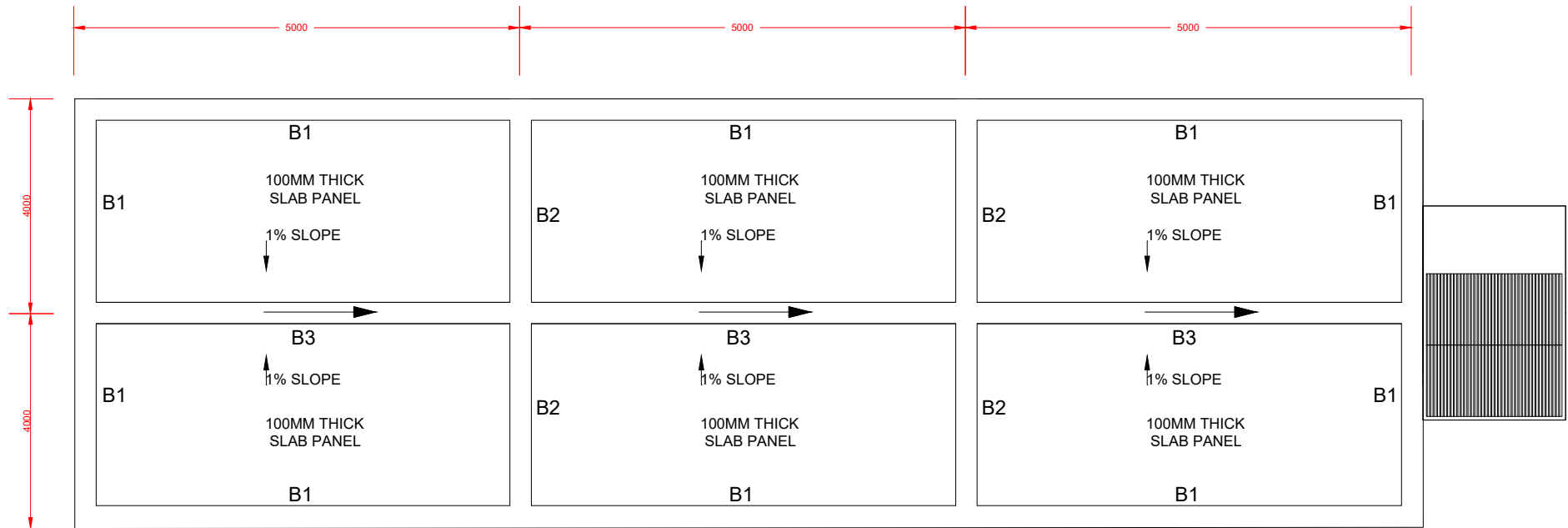
NOTE:  
 - DOOR IS MADE FROM 25MM DIA GI PIPE  
 - ALL WELDS ARE 5MM FILLET WELDS AROUND MEMBER

MAIN GATE

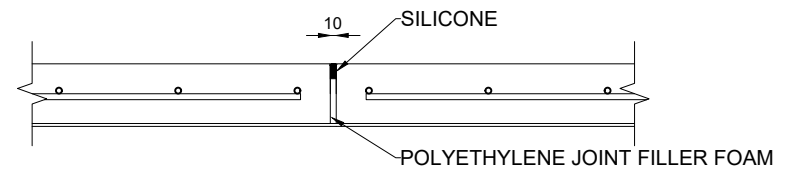
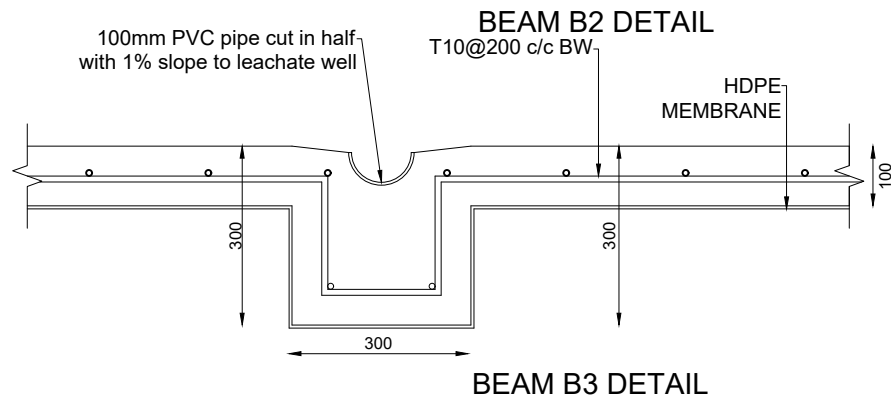
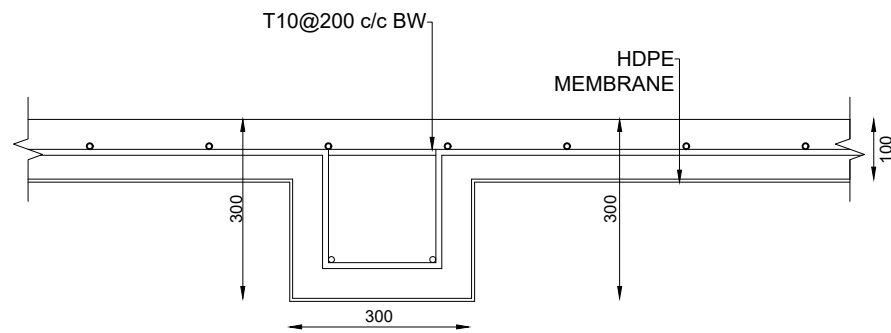
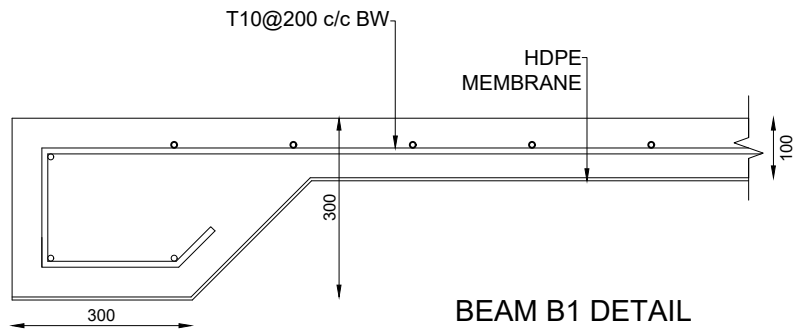




# COMPOST SLAB - JOINTS AND SPACINGS

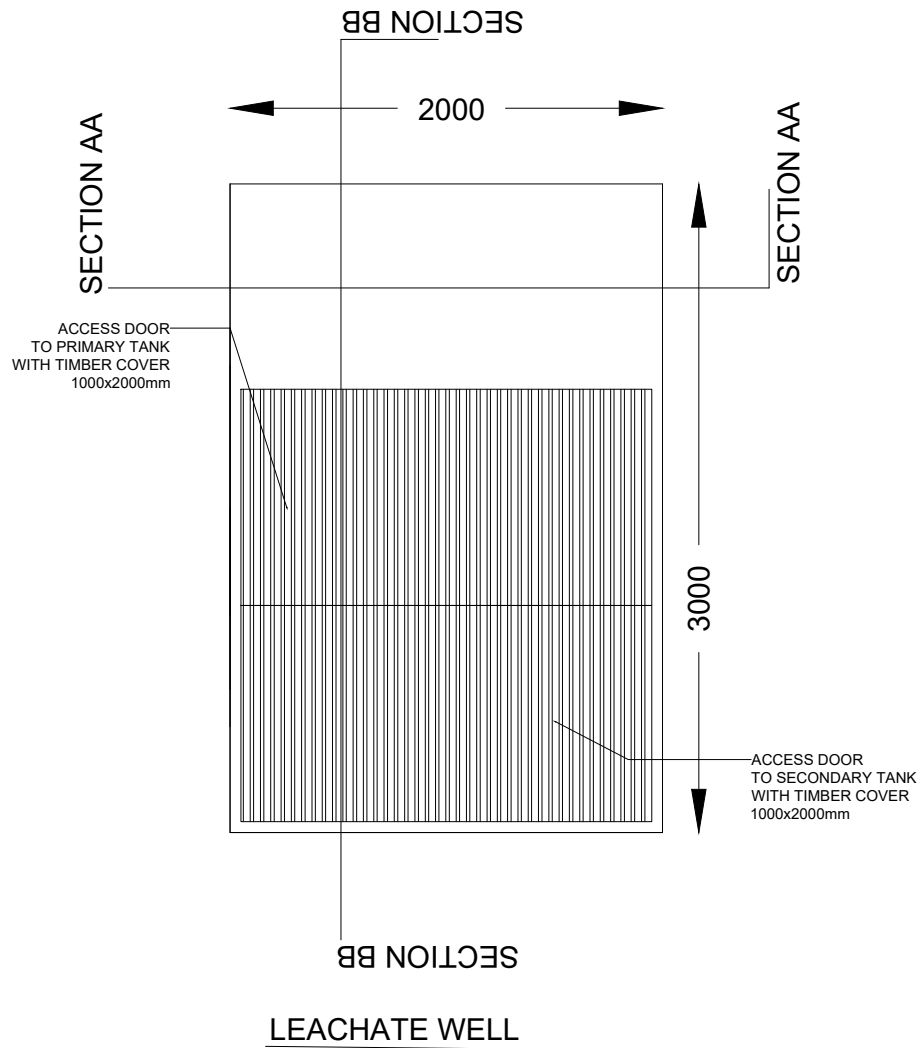


# COMPOST SLAB - PLAN

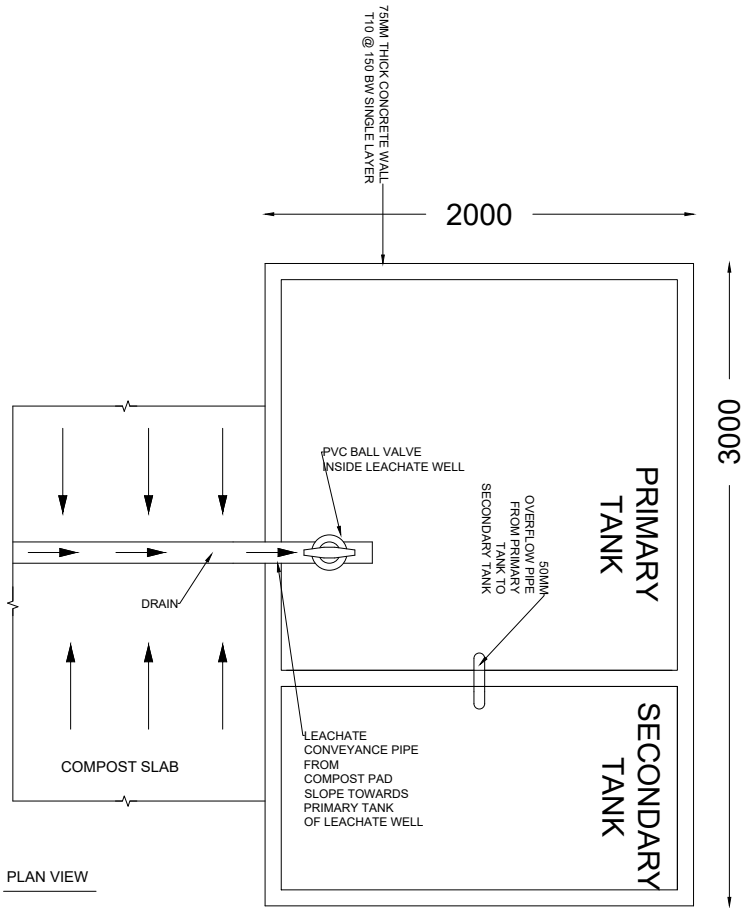


SLAB EXPANSION JOINT DETAIL

# COMPOST SLAB BEAM DETAILS

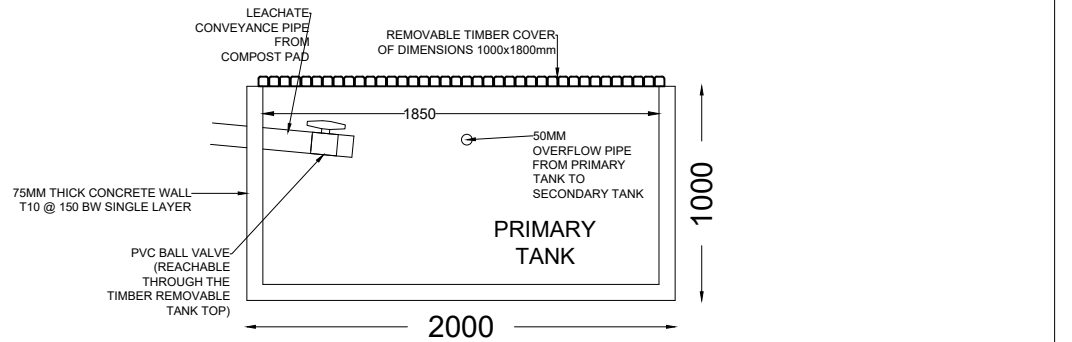


# LEACHATE COLLECTION TANK

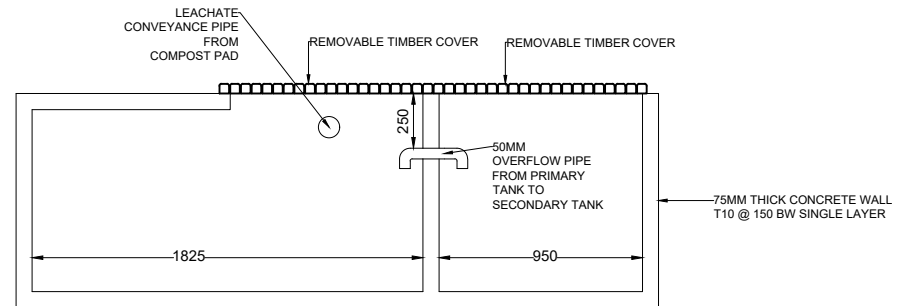


PLAN

LEACHATE WELL DETAILS

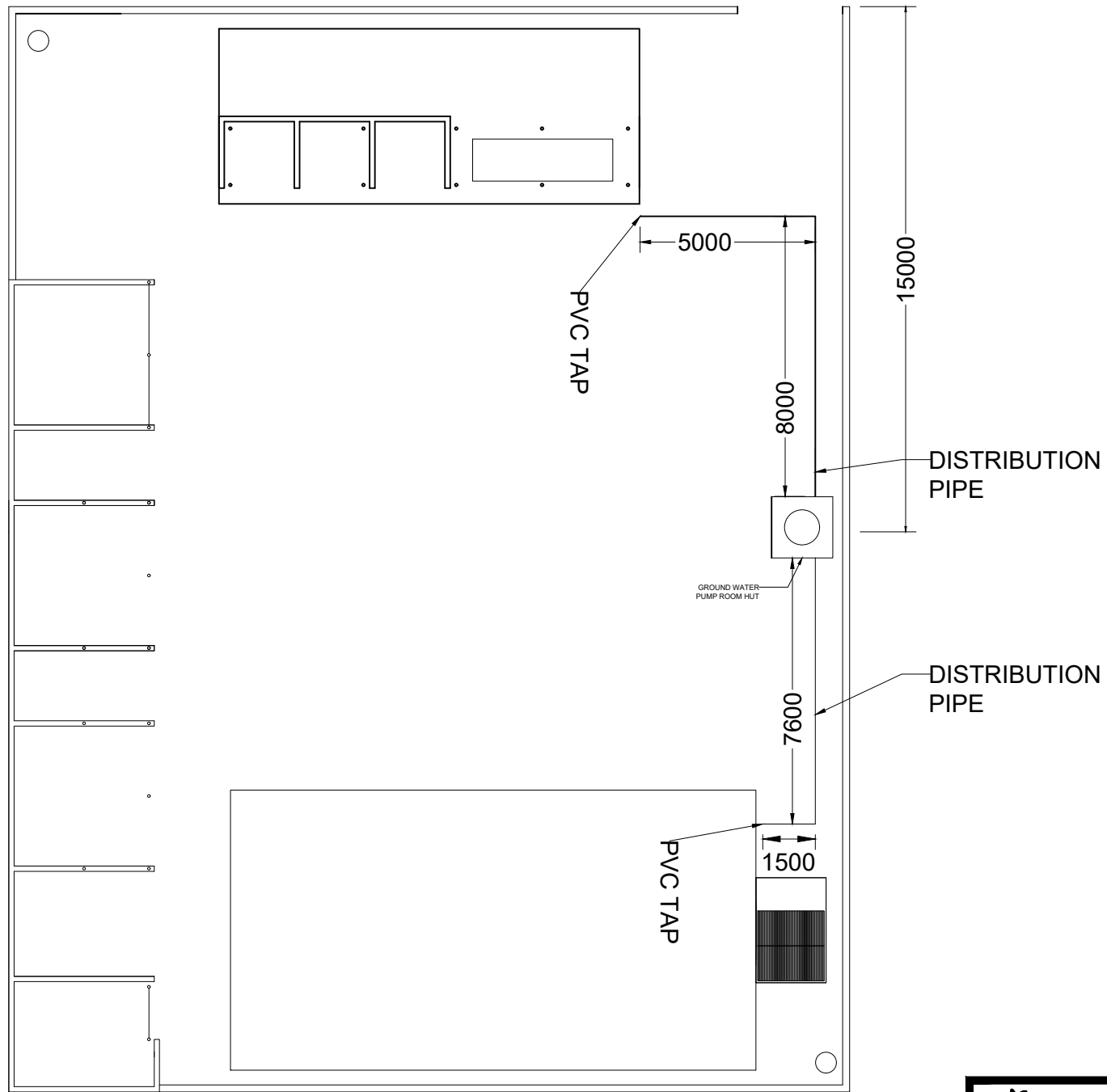


SECTION AA



SECTION BB

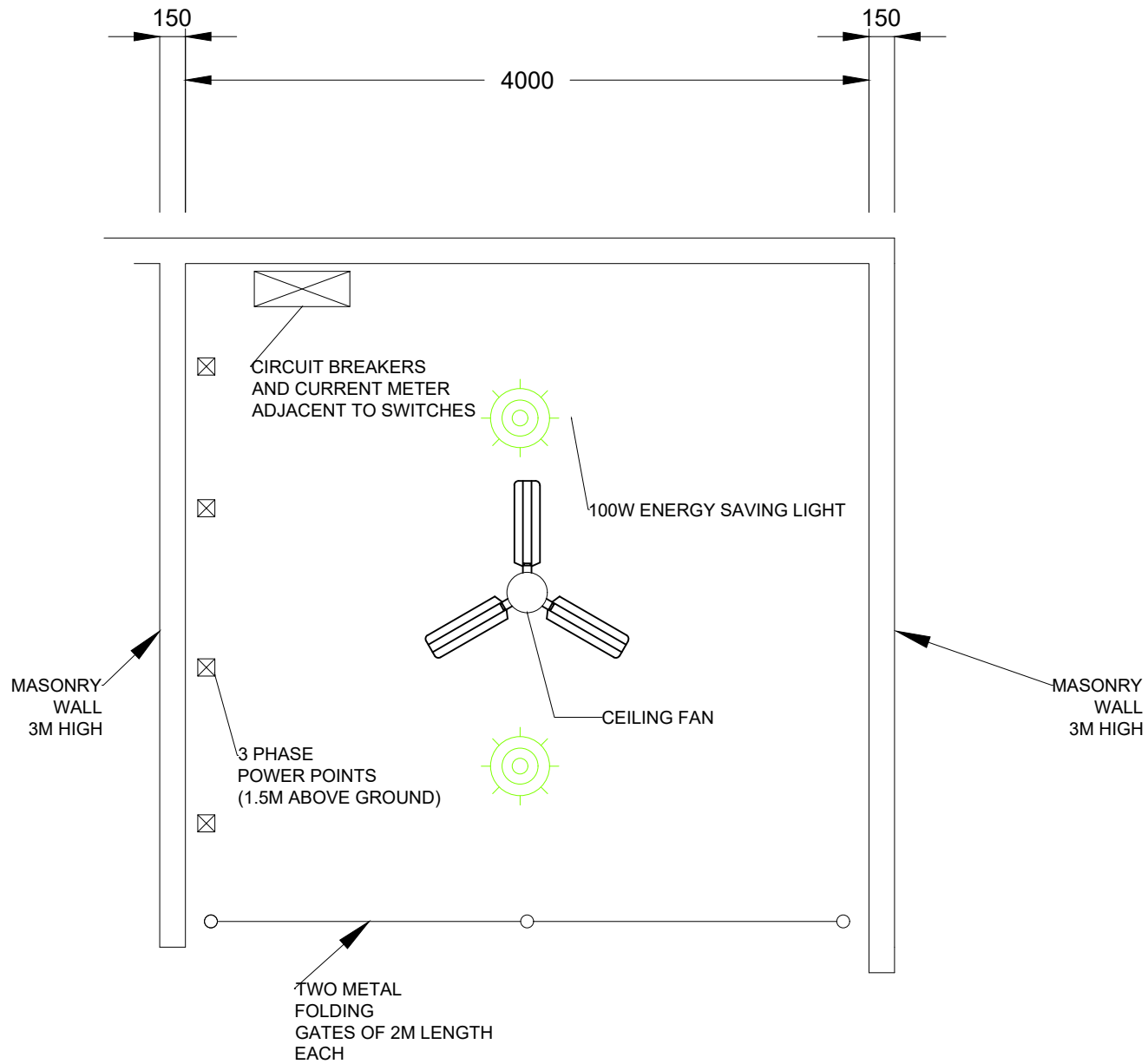
LEACHATE COLLECTION TANK - DETAILS



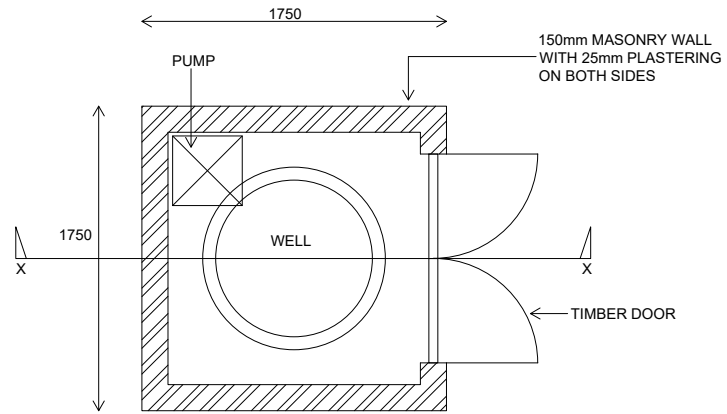
# PLUMBING LAYOUT



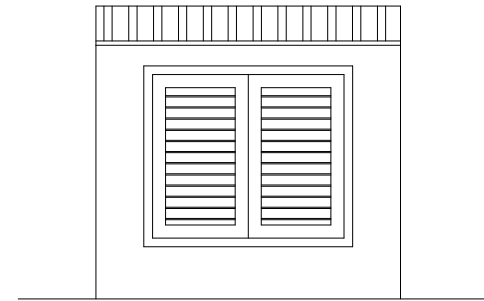




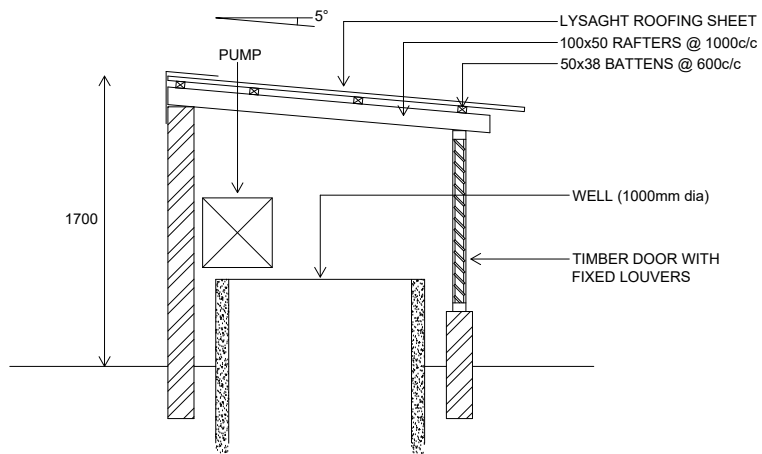
## ELECTRICAL LAYOUT - EQUIPMENT ROOM



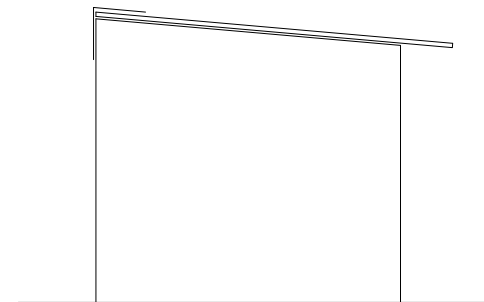
PUMP ROOM HUT



FRONT ELEVATION



SECTION X-X



SIDE ELEVATION

# GROUND WATER PUMP ROOM HUT DETAILS