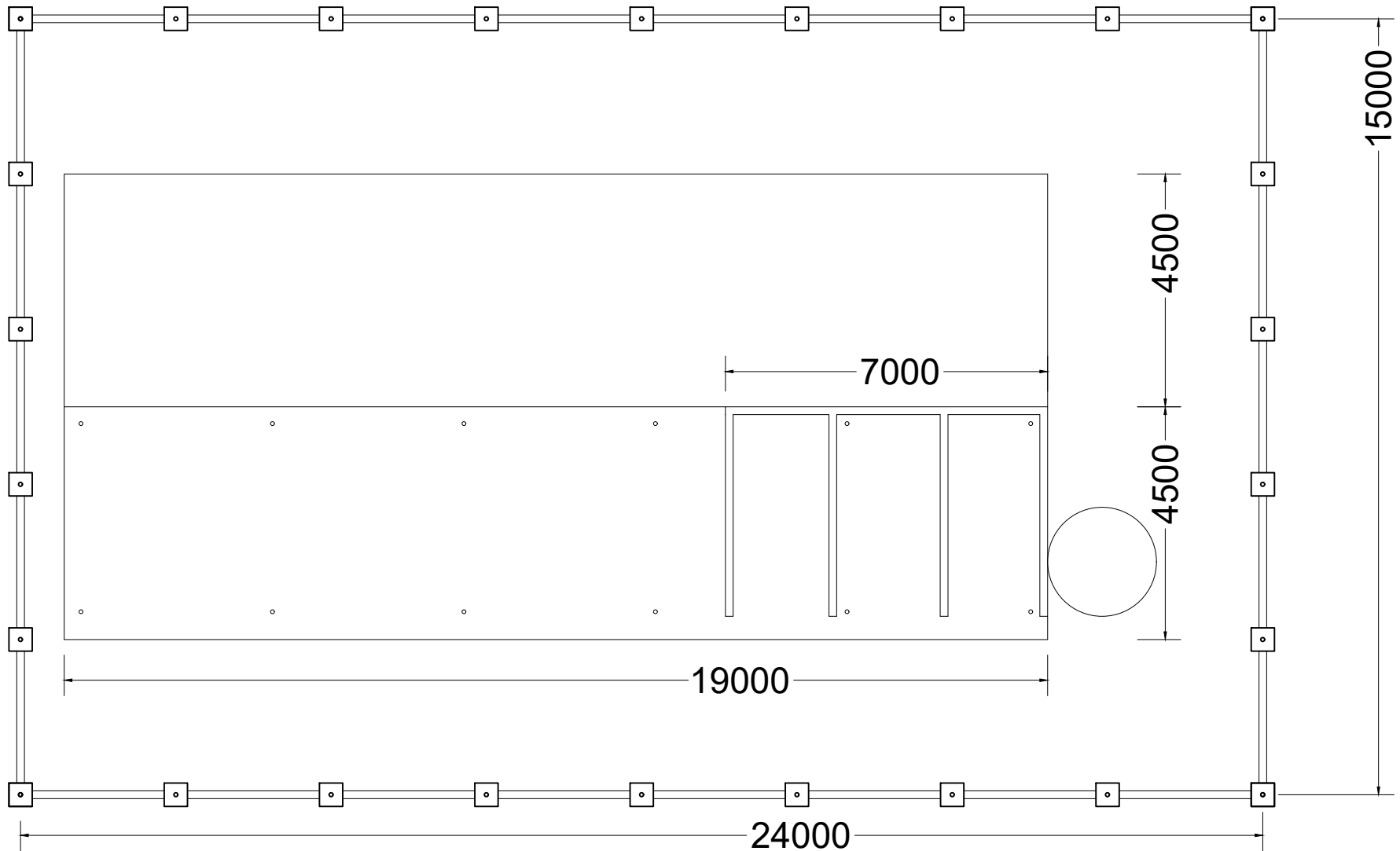




PROJECT:
CONSTRUCTION OF
AN ISLAND WASTE MANAGEMENT CENTRE
For GDH. RATHAFANDHOO

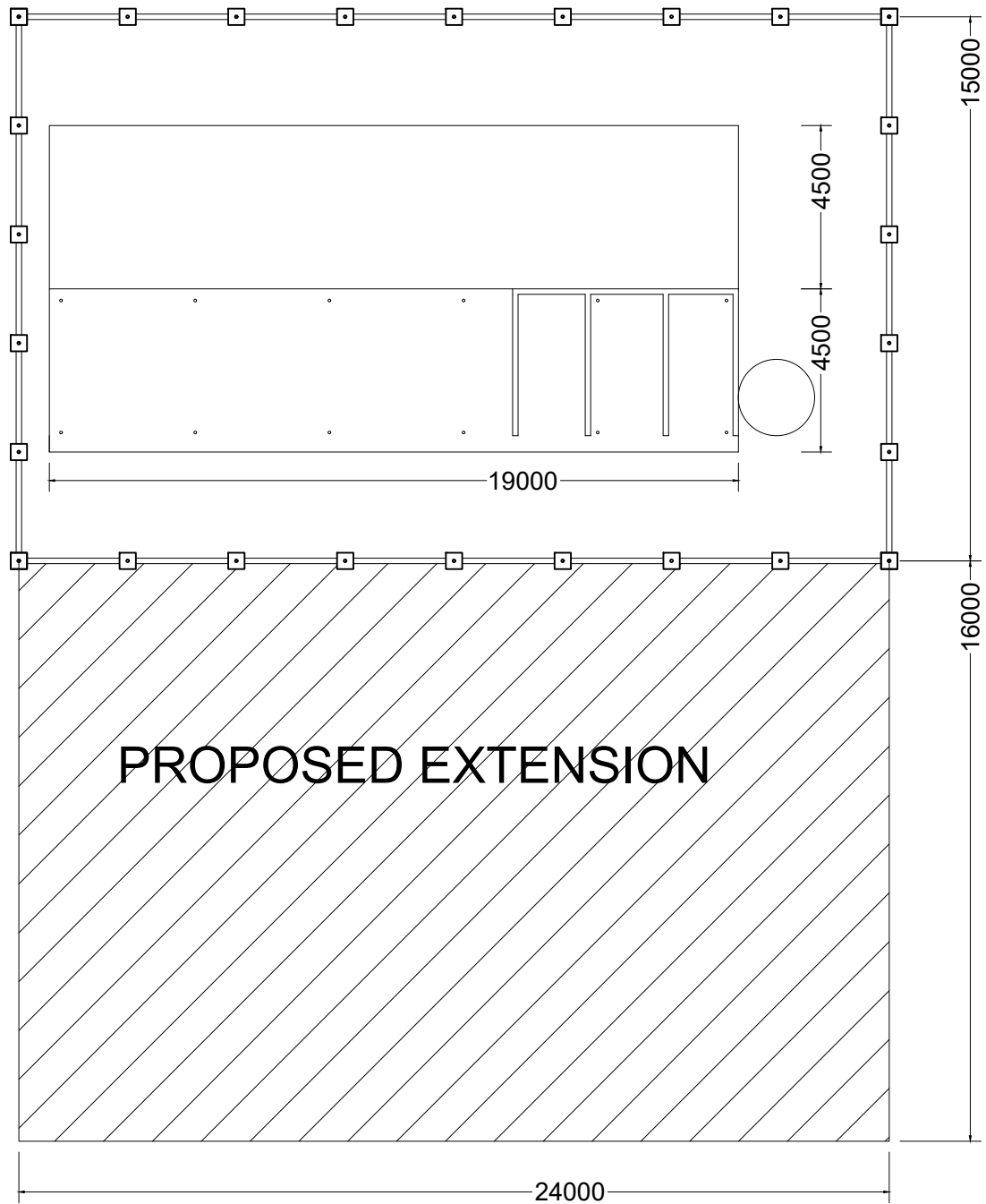
PREPARED BY:
WASTE MANAGEMENT AND POLLUTION CONTROL DEPARTMENT
MINISTRY OF ENVIRONMENT AND ENERGY

APRIL 2017



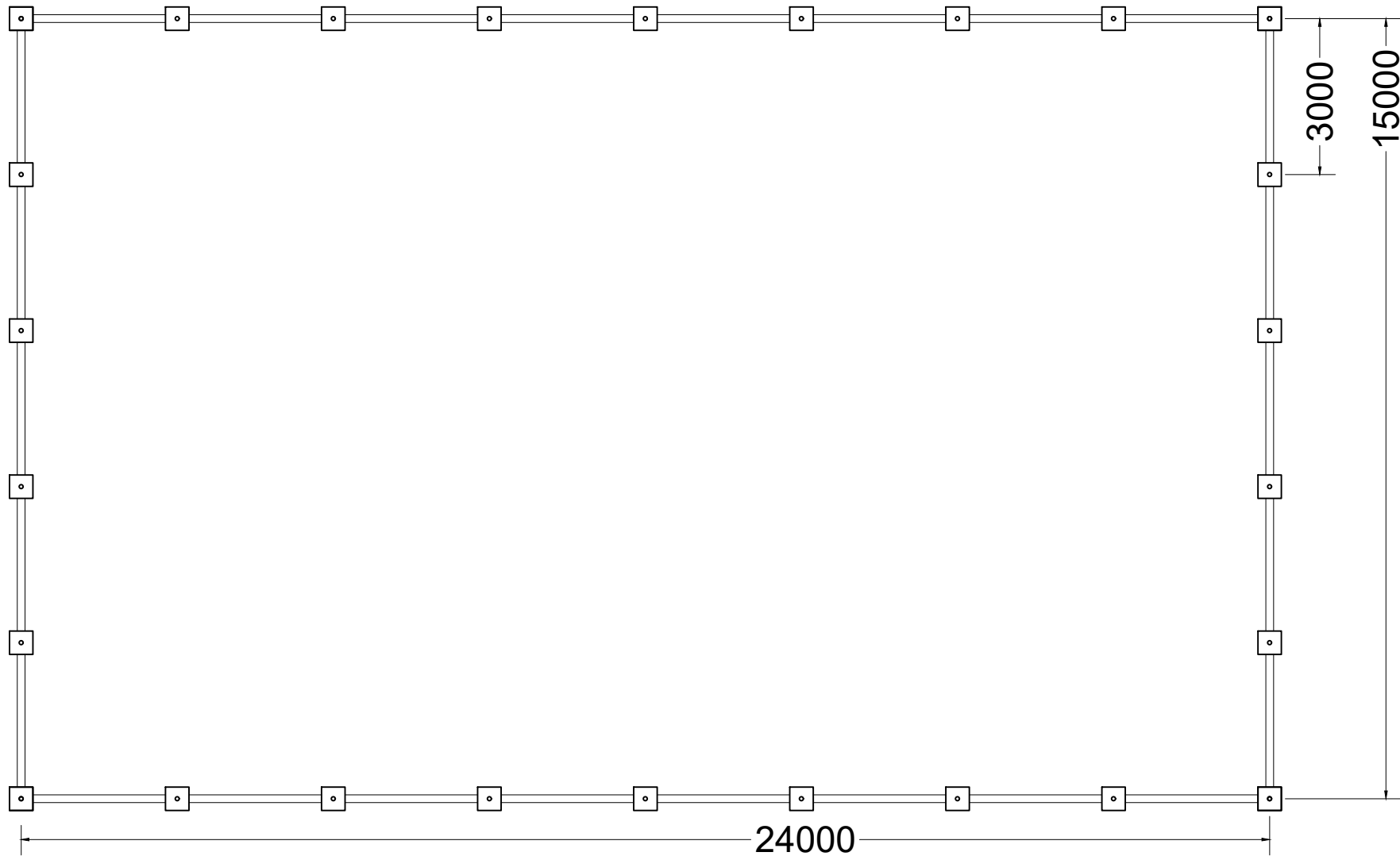
EXISTING SITE LAYOUT





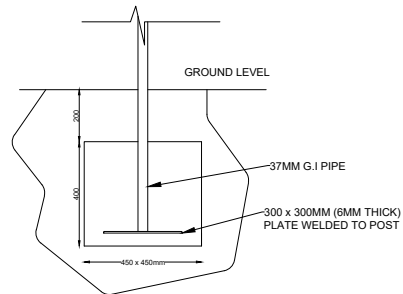
PROPOSED EXTENSION

WMPC DEPARTMENT
MINISTRY OF ENVIRONMENT AND ENERGY
 GREEN BUILDING, HANDEHAREE HINGUN,
 MAAFANNU, MALÉ (20392), REPUBLIC OF MALDIVES
 TEL:3018431, 3018300, FAX:328301

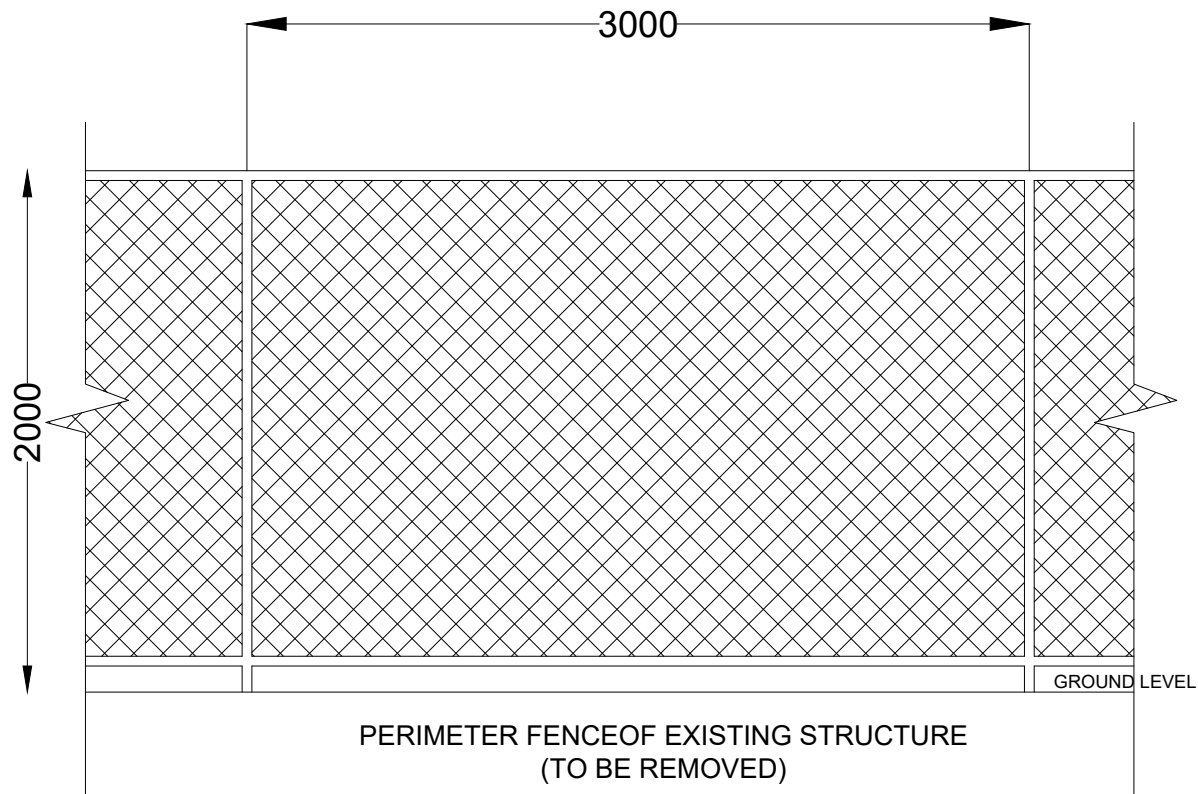


PARTS OF EXISTING LAYOUT TO BE DEMOLISHED OR REMOVED

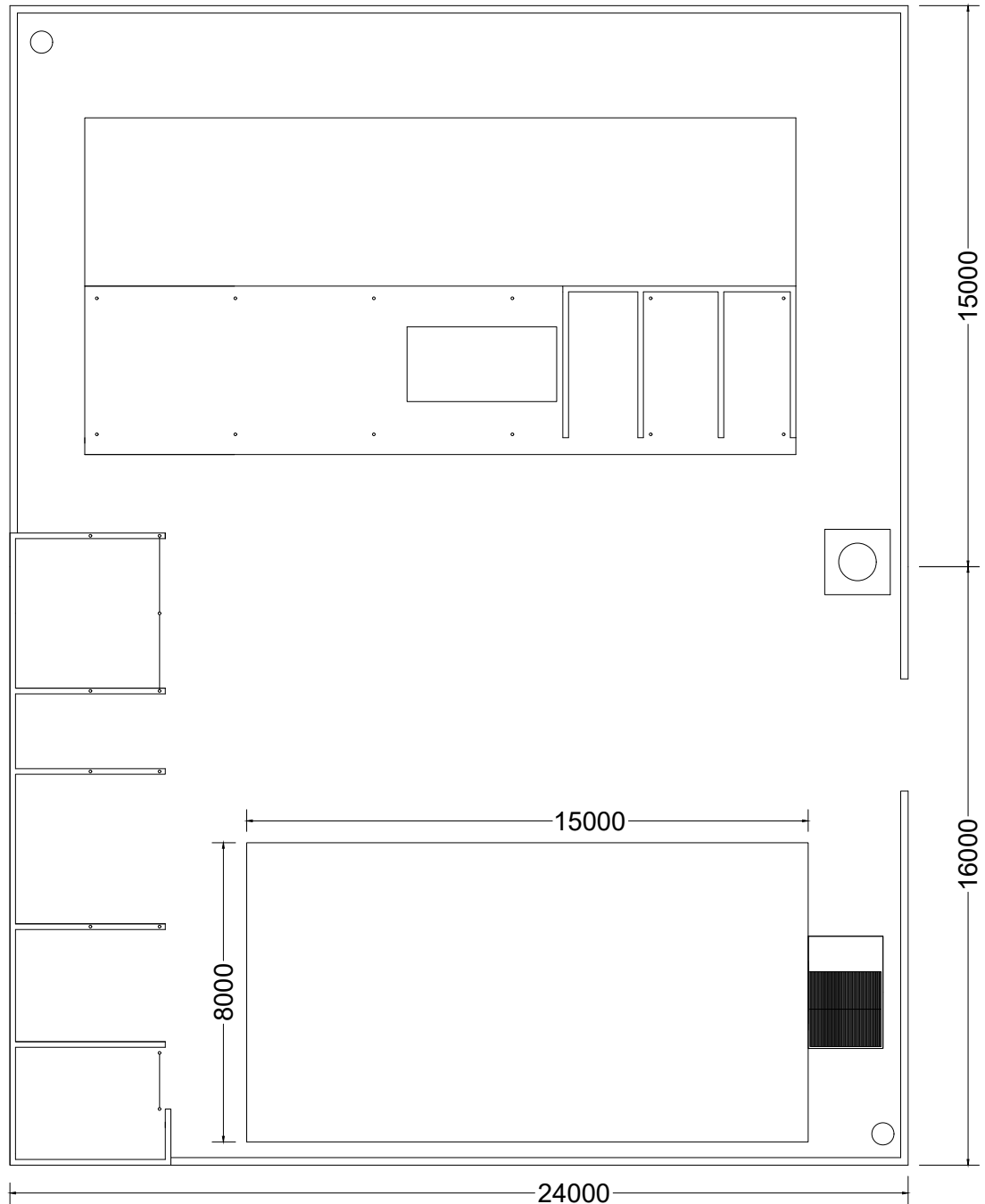




FOUNDATION DETAIL OF EXISTING PERIMETER FENCE
 TOTAL NUMBER OF COLUMNS: 26
 (TO BE REMOVED)



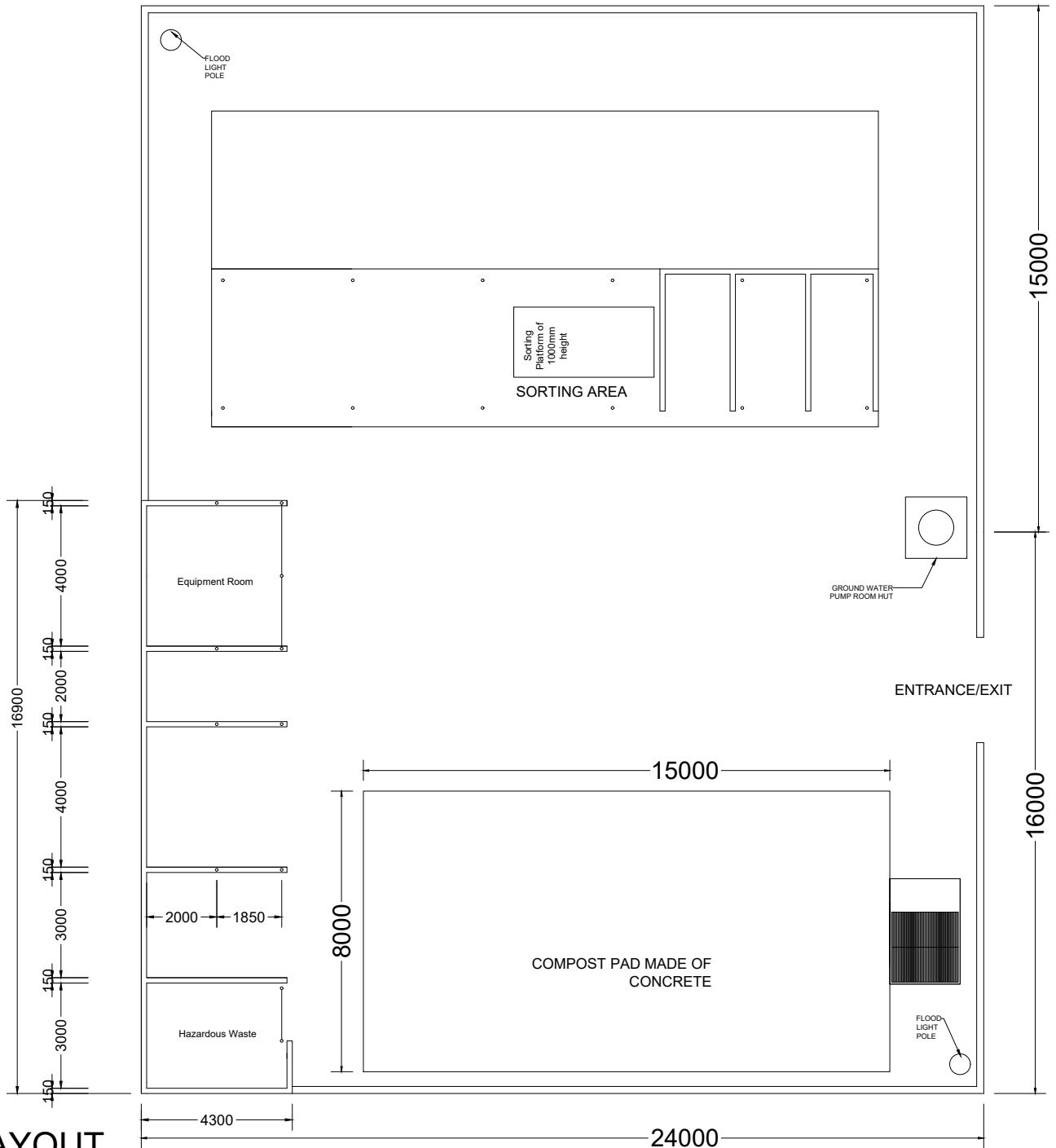
DETAILS OF PARTS TO BE DEMOLISHED OR REMOVED

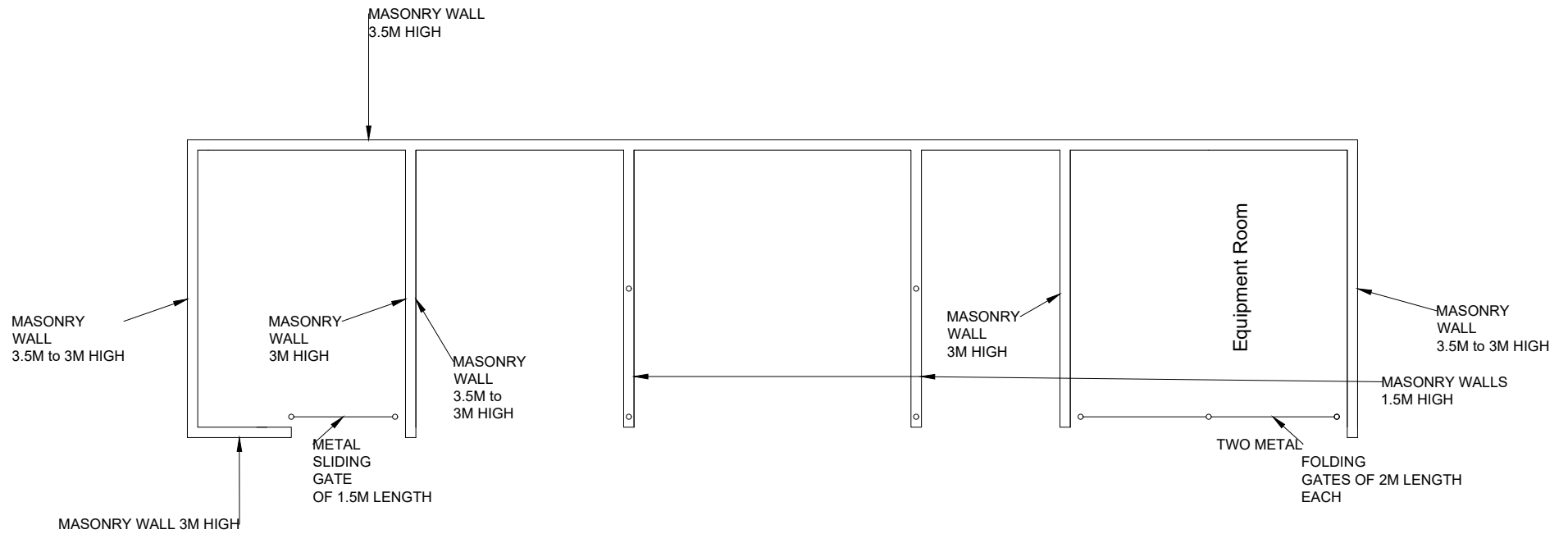


SITE LAYOUT



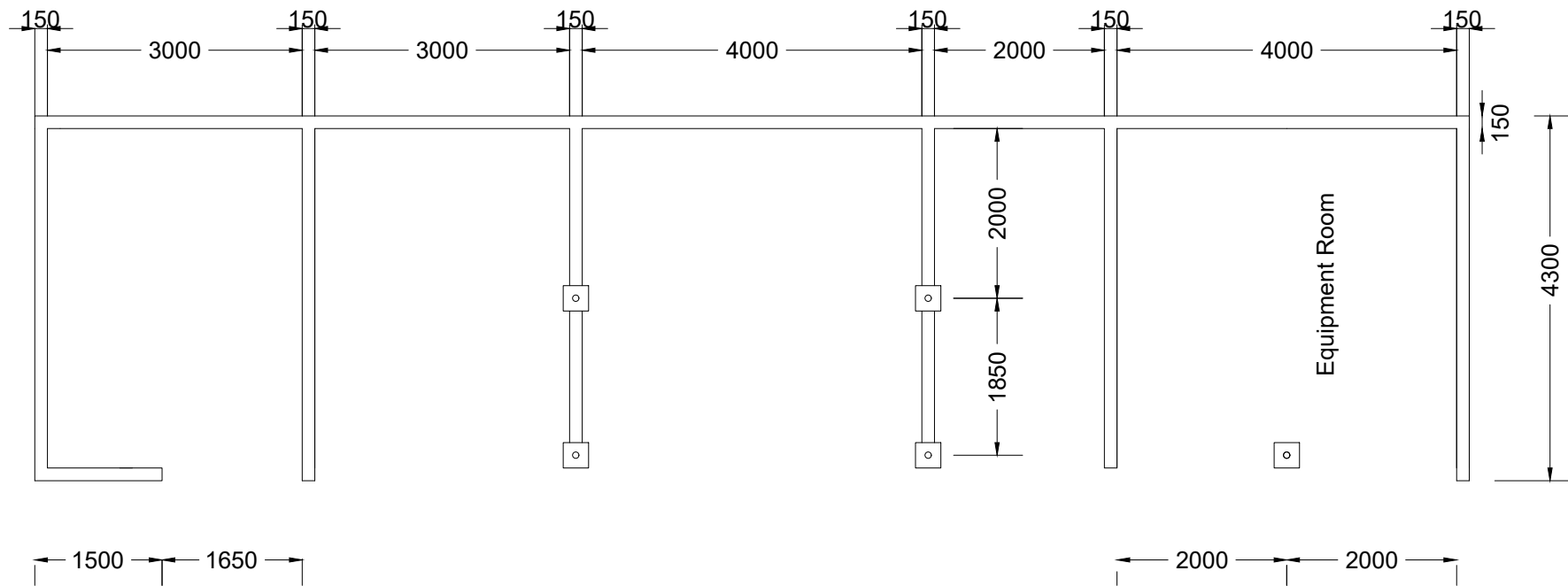
SITE LAYOUT





COLLECTION BAY - PLANS

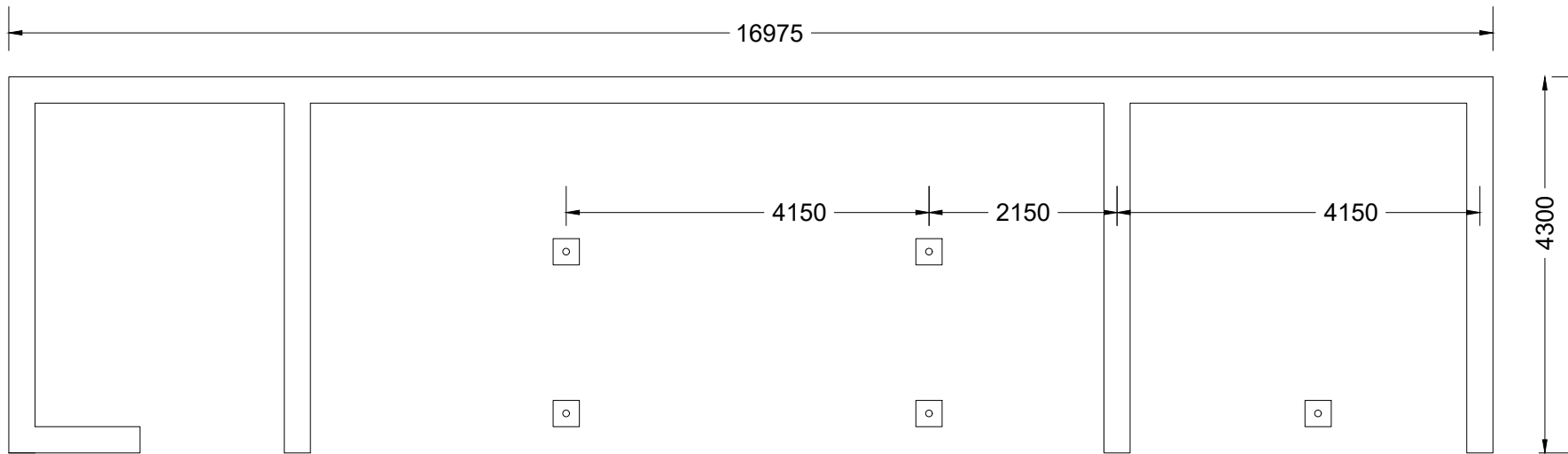




FLOOR PLAN

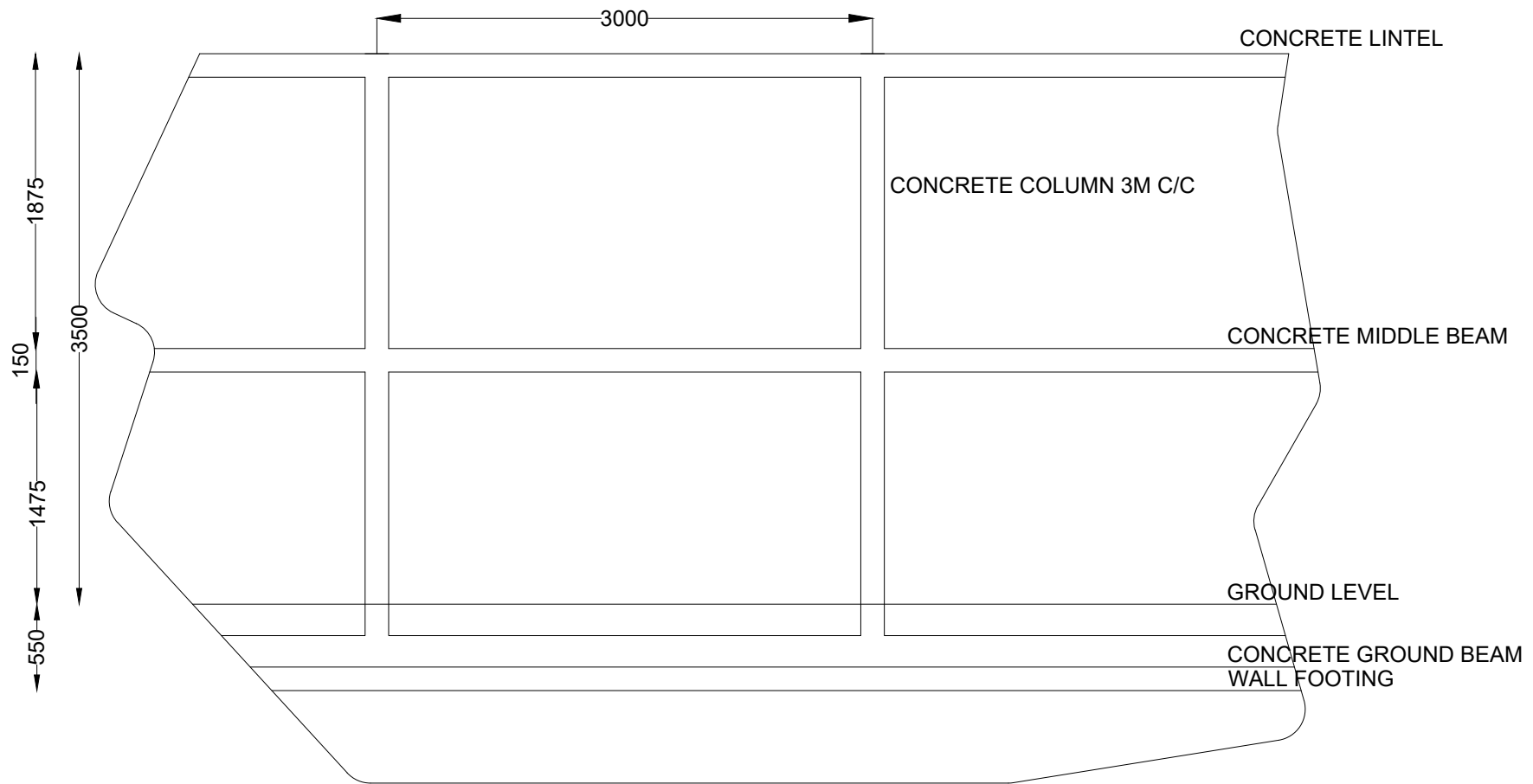
COLLECTION BAY - FLOOR PLAN





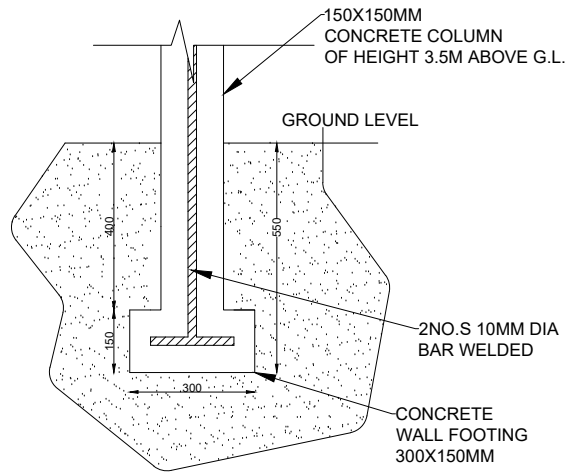
COLLECTION BAY - FOUNDATION PLAN



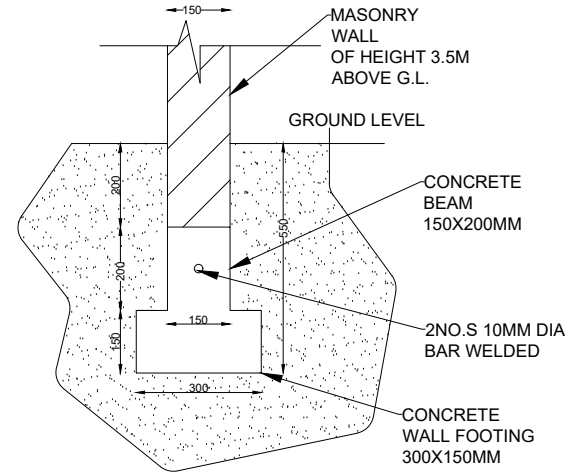


COLLECTION BAY - WALL

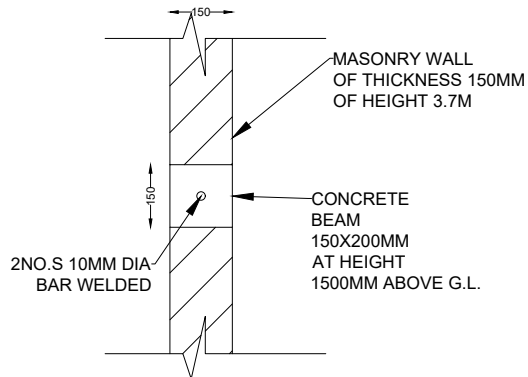




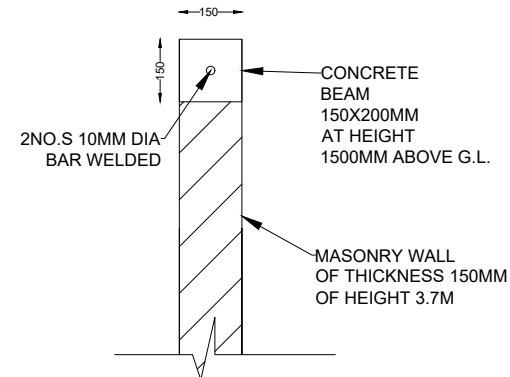
COLUMN DETAILS



BEAM AND WALL FOOTING DETAILS

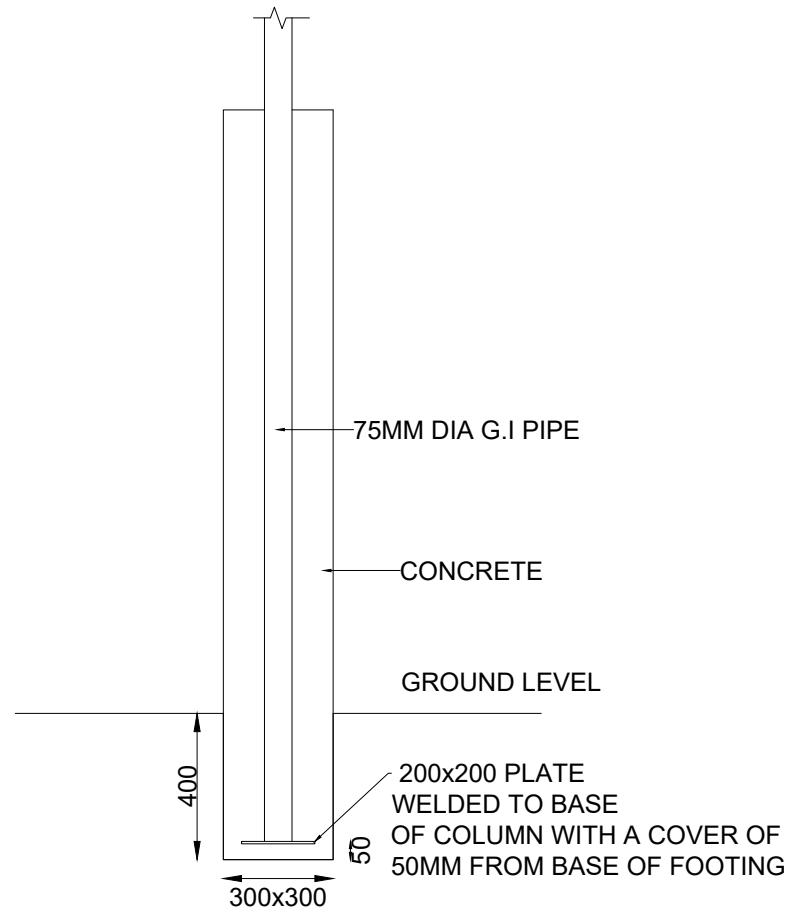


MIDDLE BEAM DETAILS



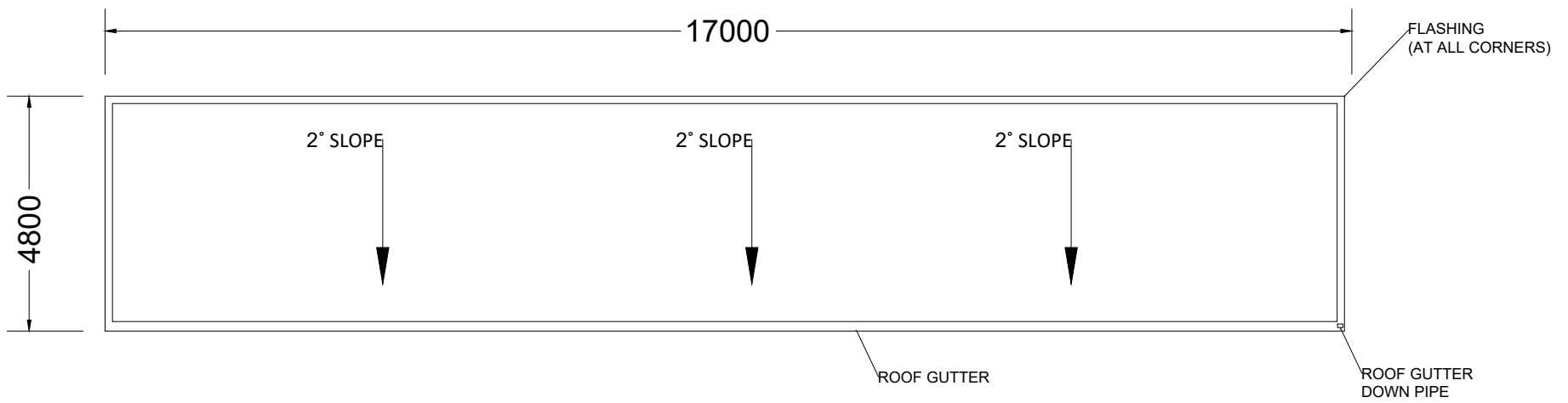
LINTEL DETAILS

COLLECTION BAY - WALL DETAILS



COLLECTION BAY
G.I. PIPE COLUMN FOUNDATION

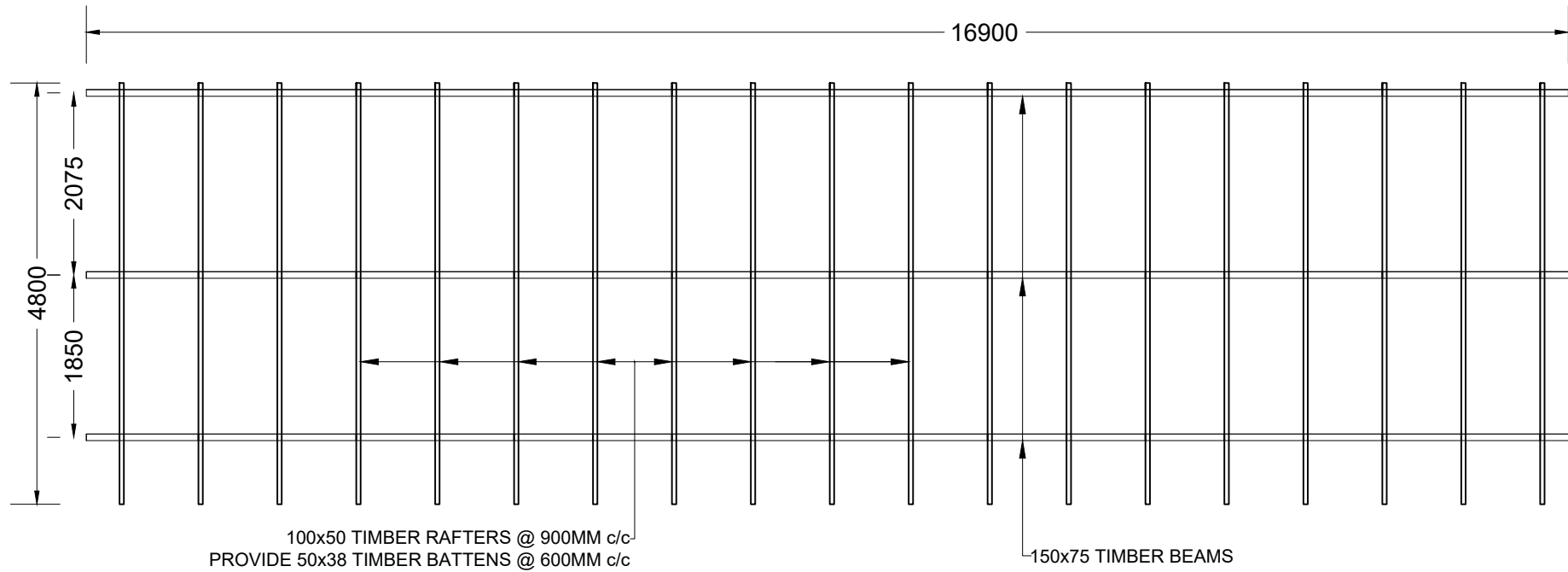
COLLECTION BAY - G.I PIPE COLUMN FOUNDATION DETAILS



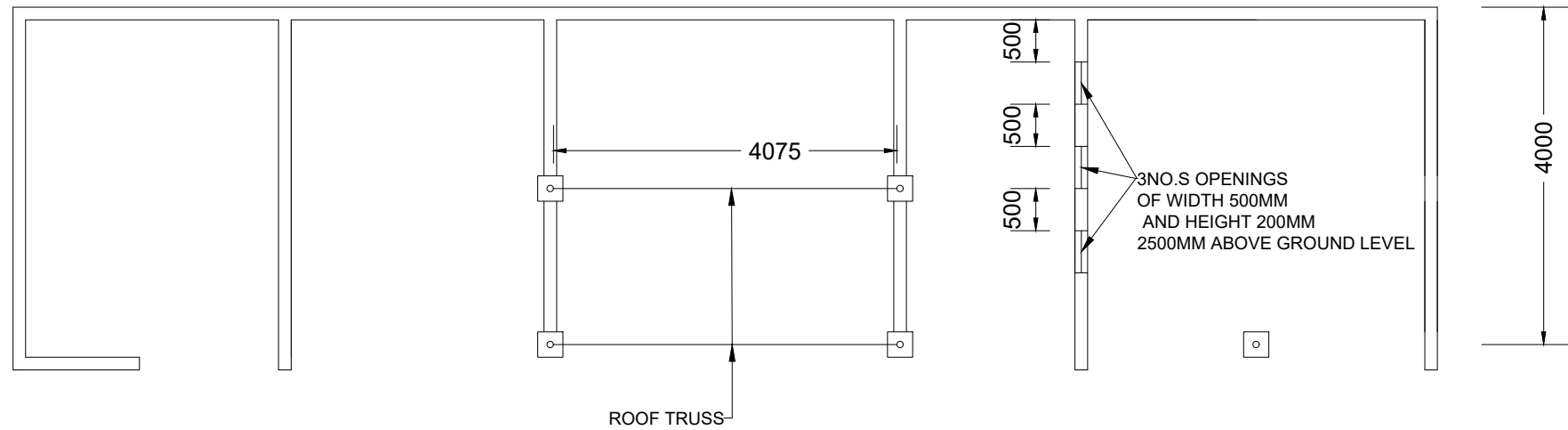
ROOF PLAN

COLLECTION BAY - ROOF PLAN

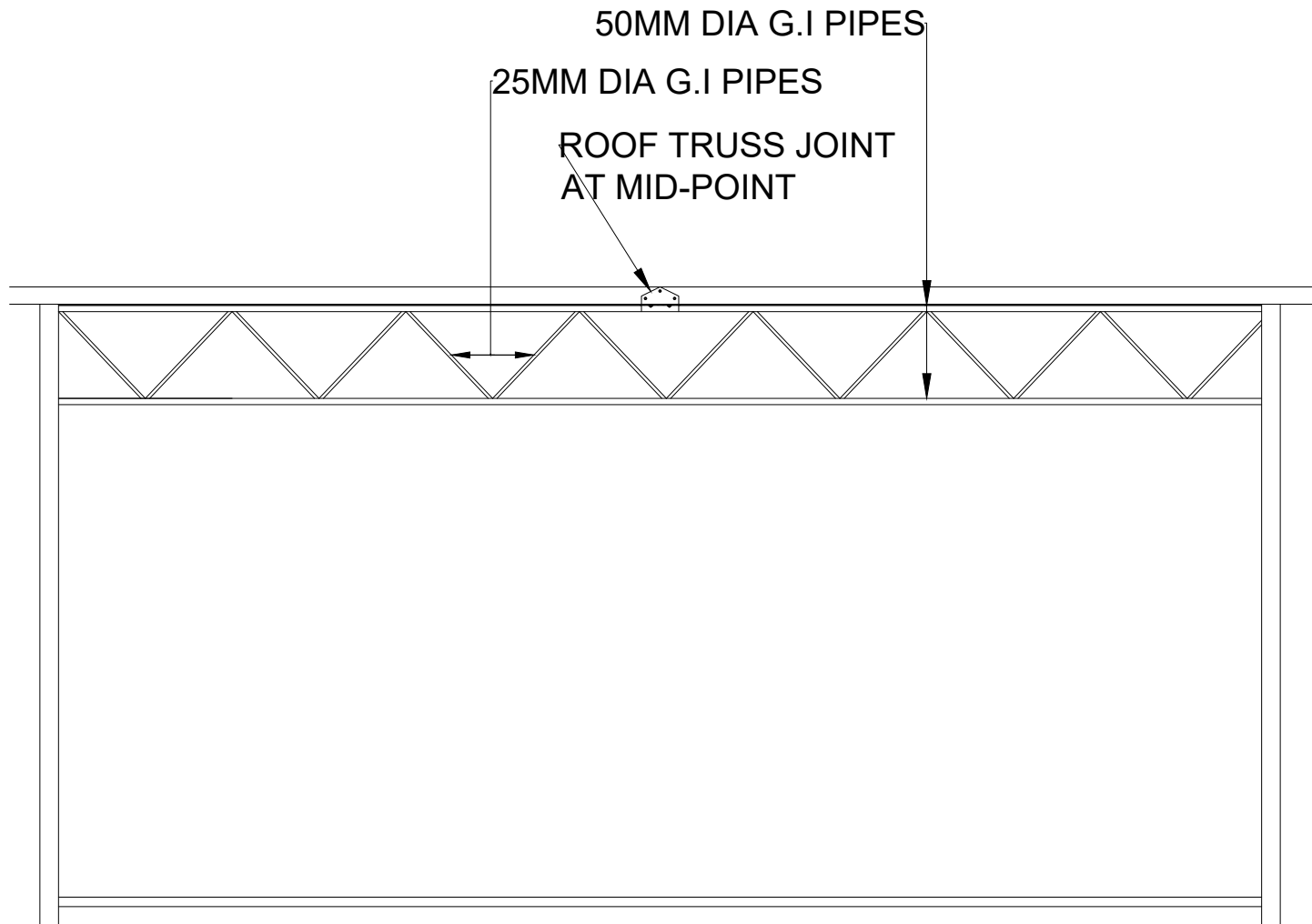




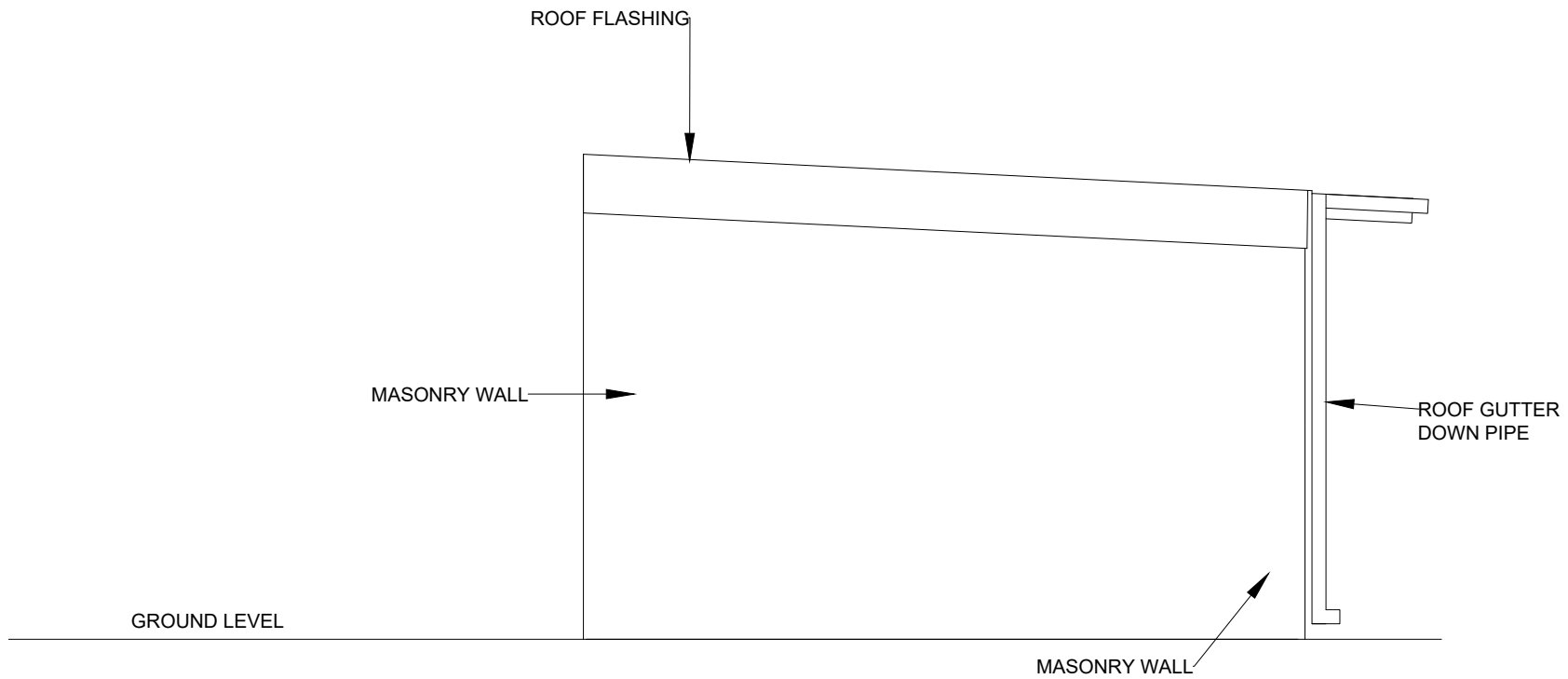
COLLECTION BAY - ROOF FRAMING PLANS



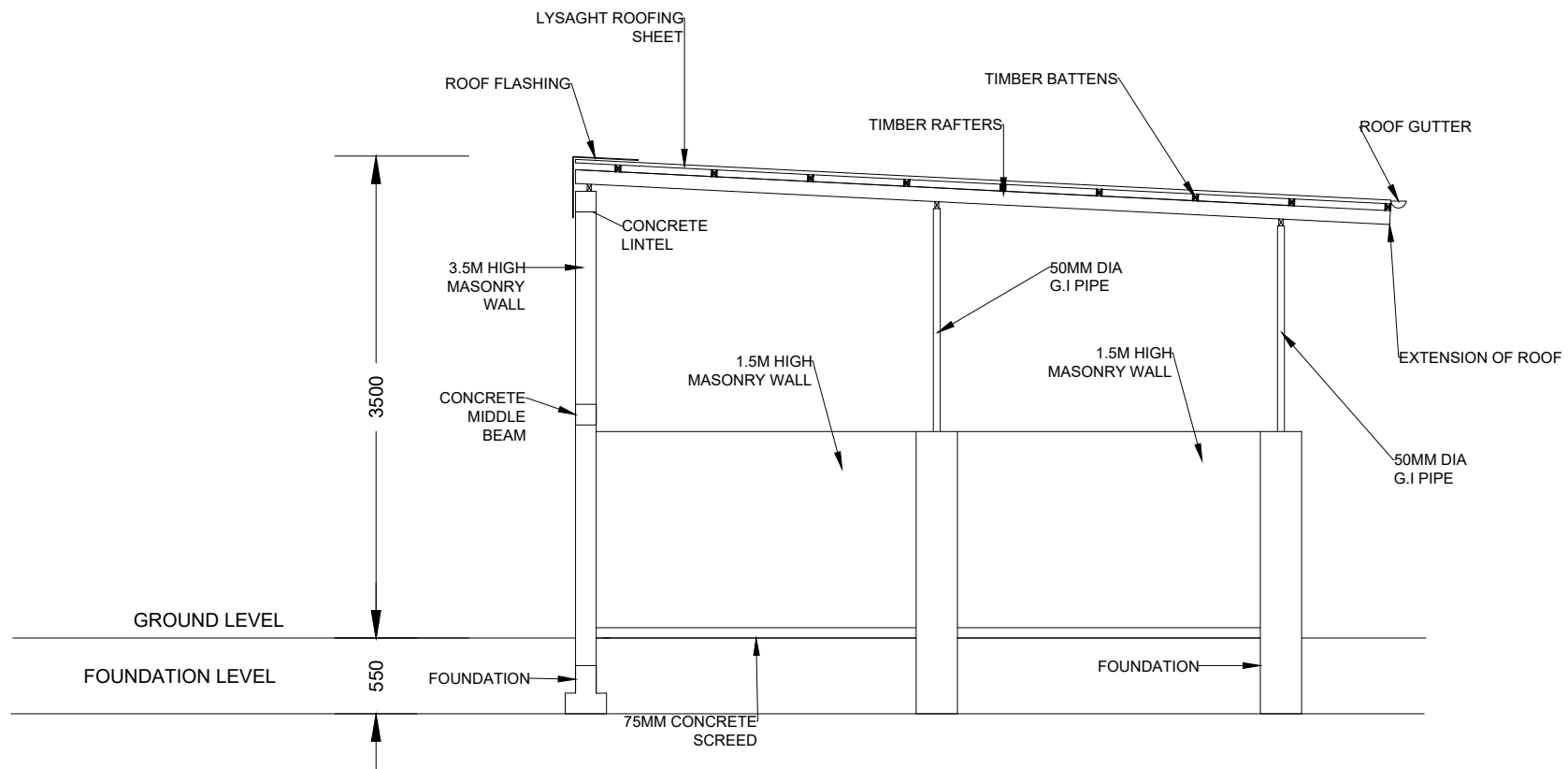
COLLECTION BAY - ROOF TRUSS PLAN



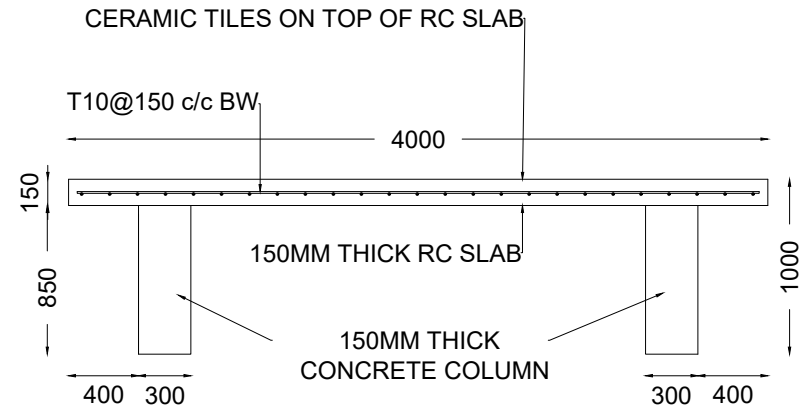
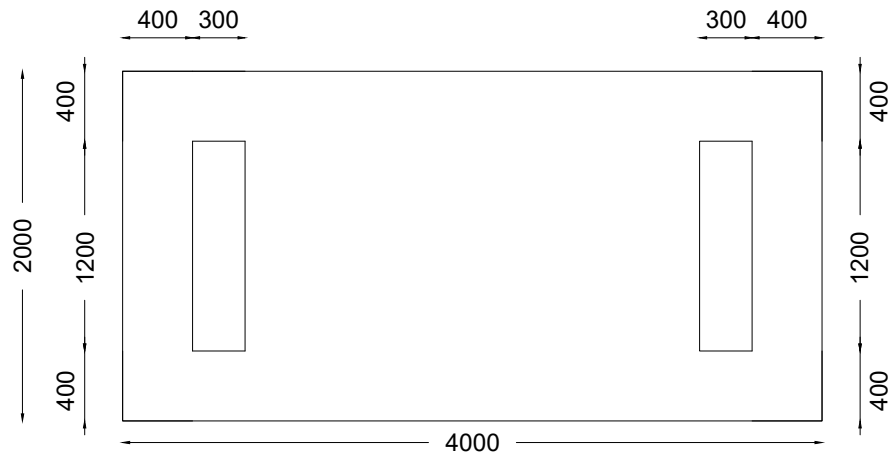
COLLECTION BAY - TRUSS DETAILS



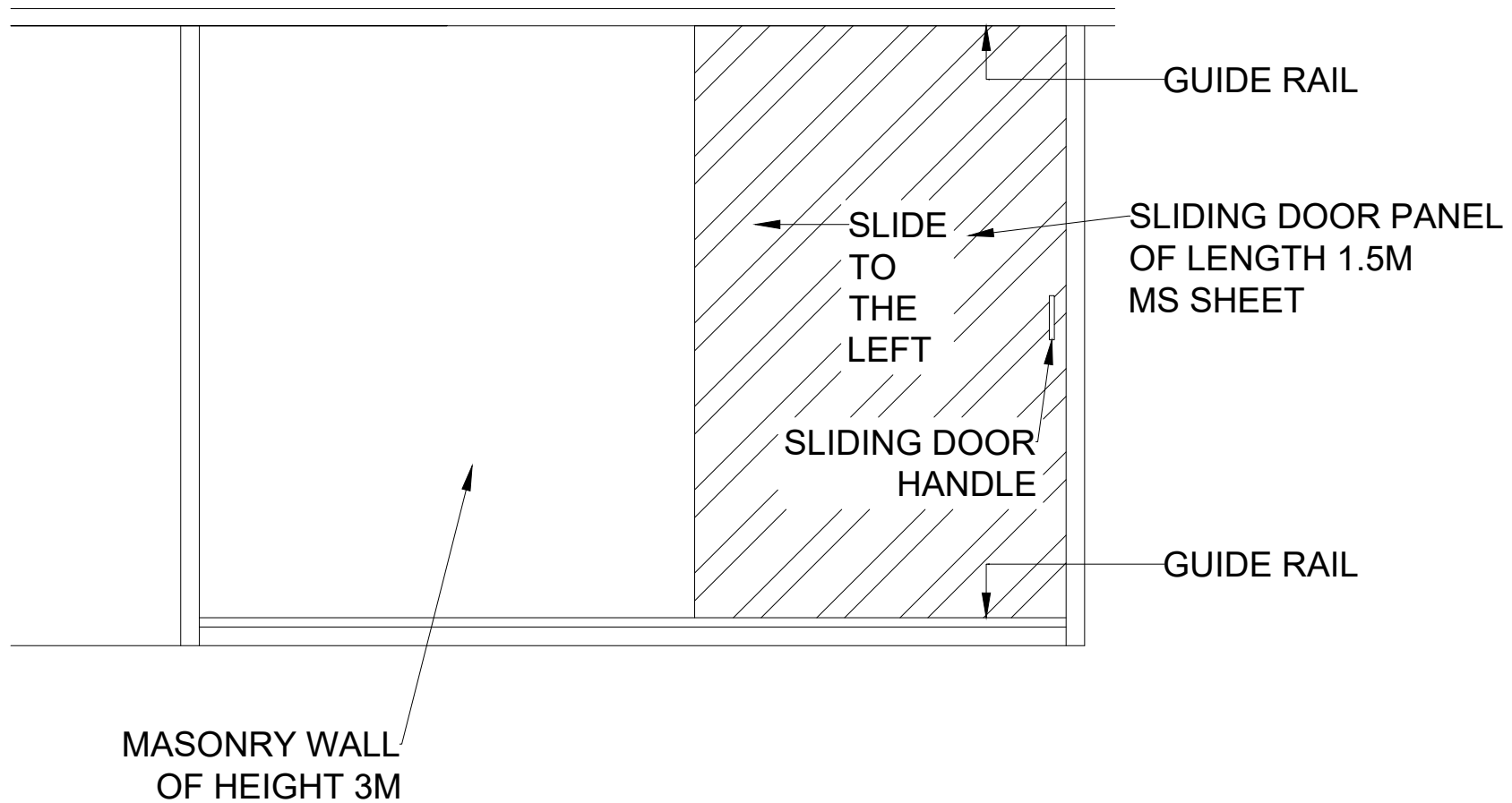
COLLECTION BAY - SIDE ELEVATION



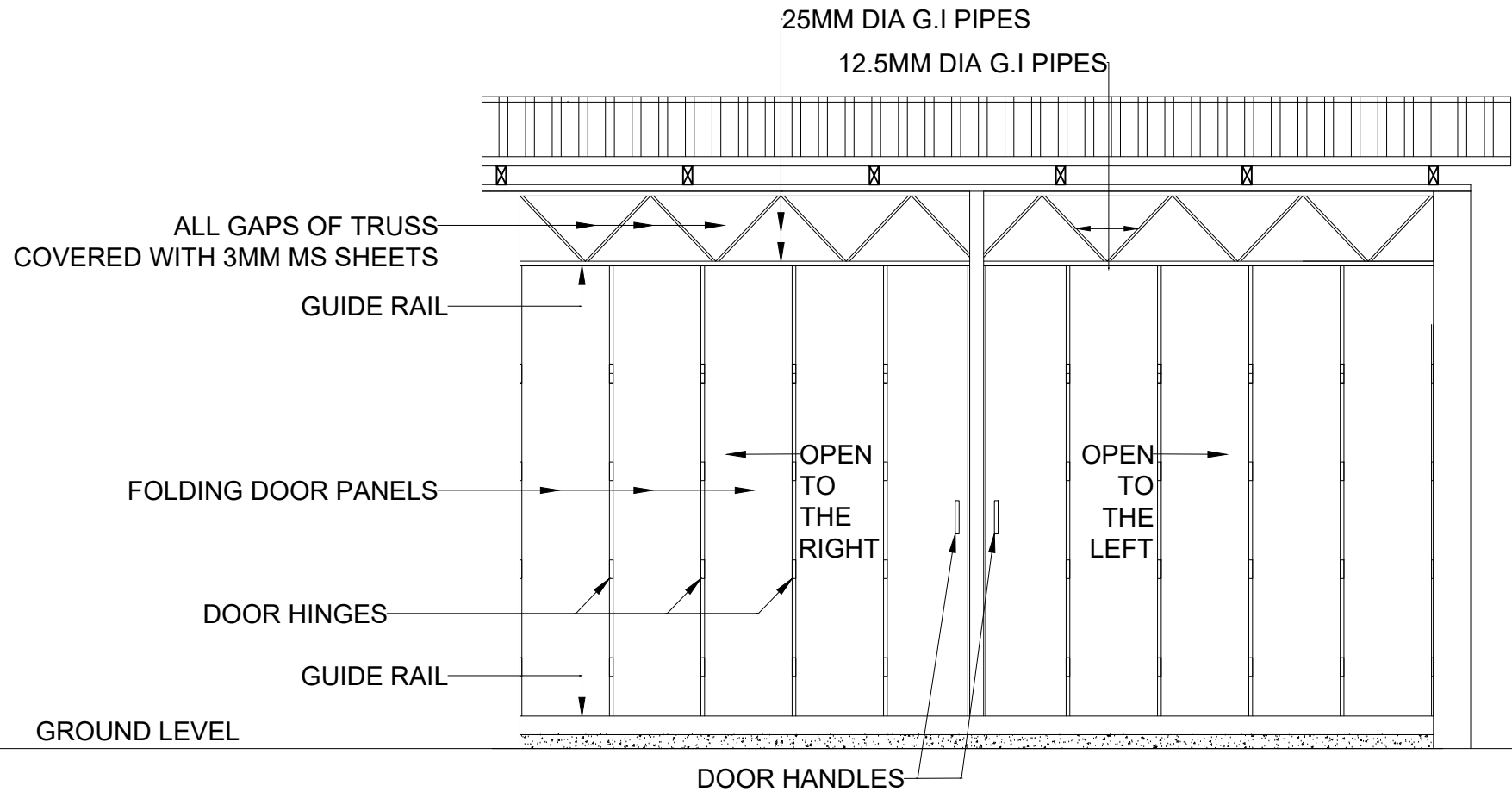
COLLECTION BAY - CROSS SECTION



SORTING AREA - SORTING PLATFORM DETAILS

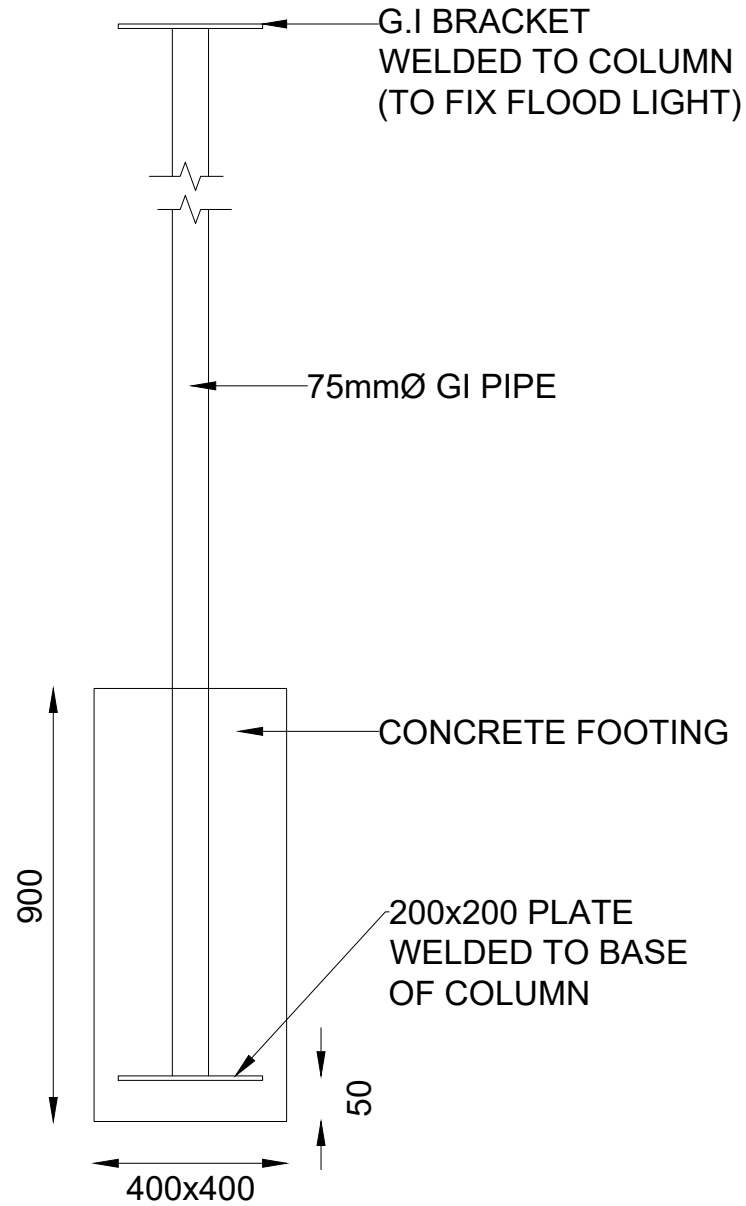


HAZARDOUS WASTE STORAGE ROOM - METAL SLIDING DOOR DETAIL

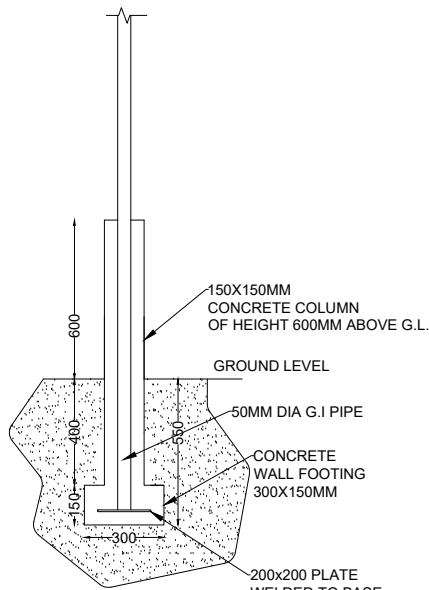


NOTE: ALL WELDS FOR TRUSS MEMBERS
ARE 5MM FILLET WELDS

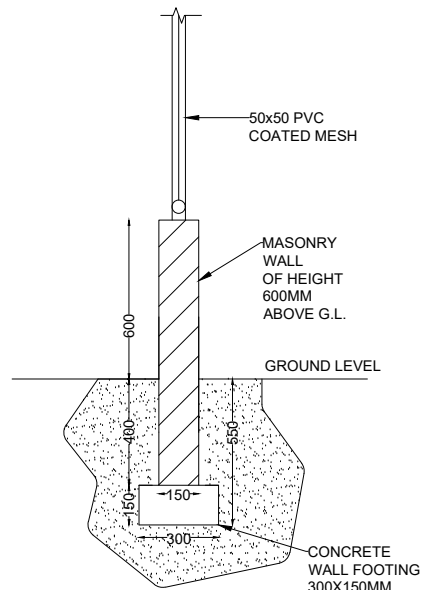
EQUIPMENT ROOM - METAL SLIDING DOOR DETAIL



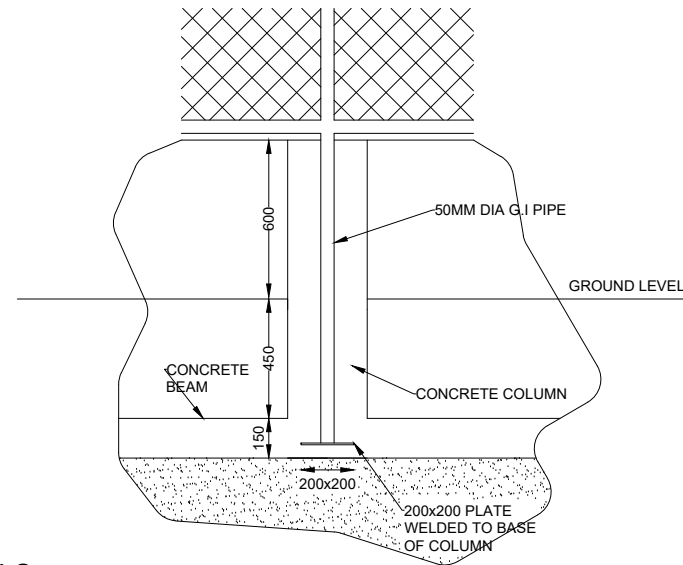
FLOOD LIGHT FOUNDATION DETAILS



**PERIMETER WALL
COLUMN DETAILS**

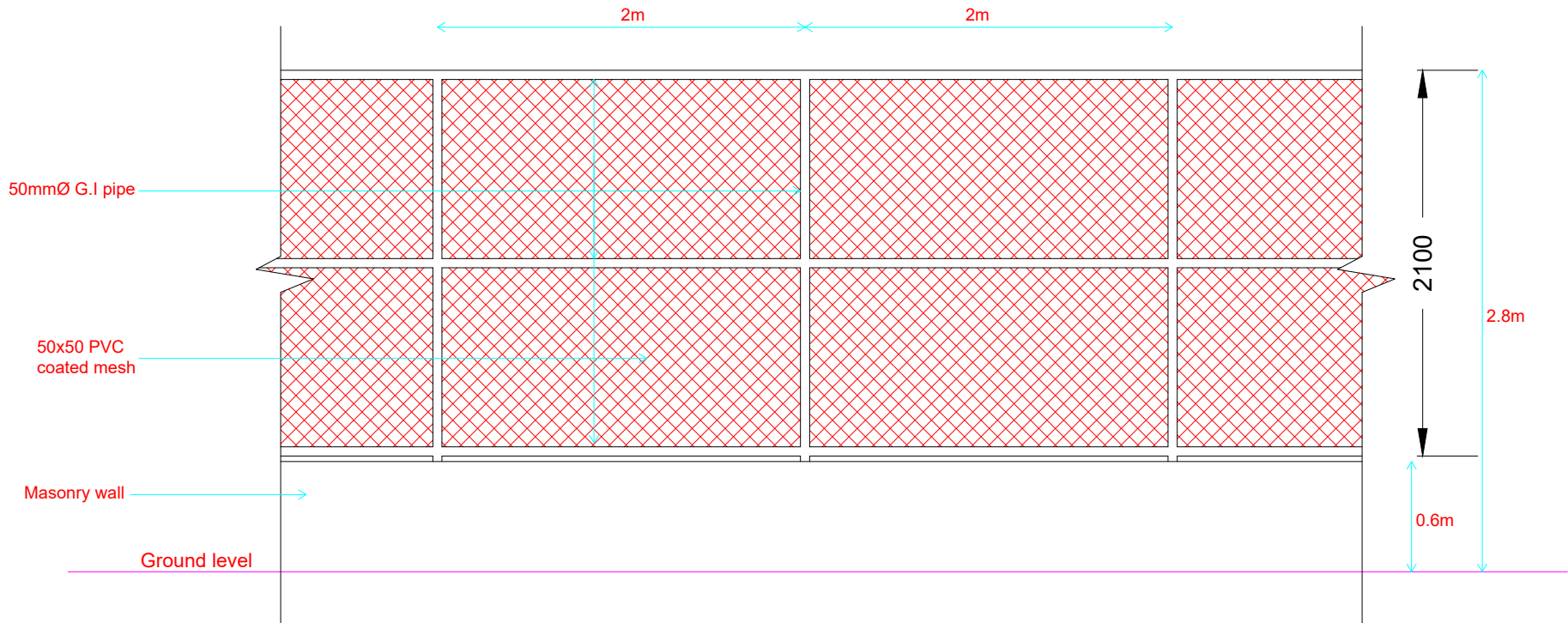


**PERIMETER WALL
BEAM AND WALL FOOTING DETAILS**



**PERIMETER FENCE
FOUNDATION DETAIL**

BOUNDARY WALL - BEAM AND COLUMN DETAILS

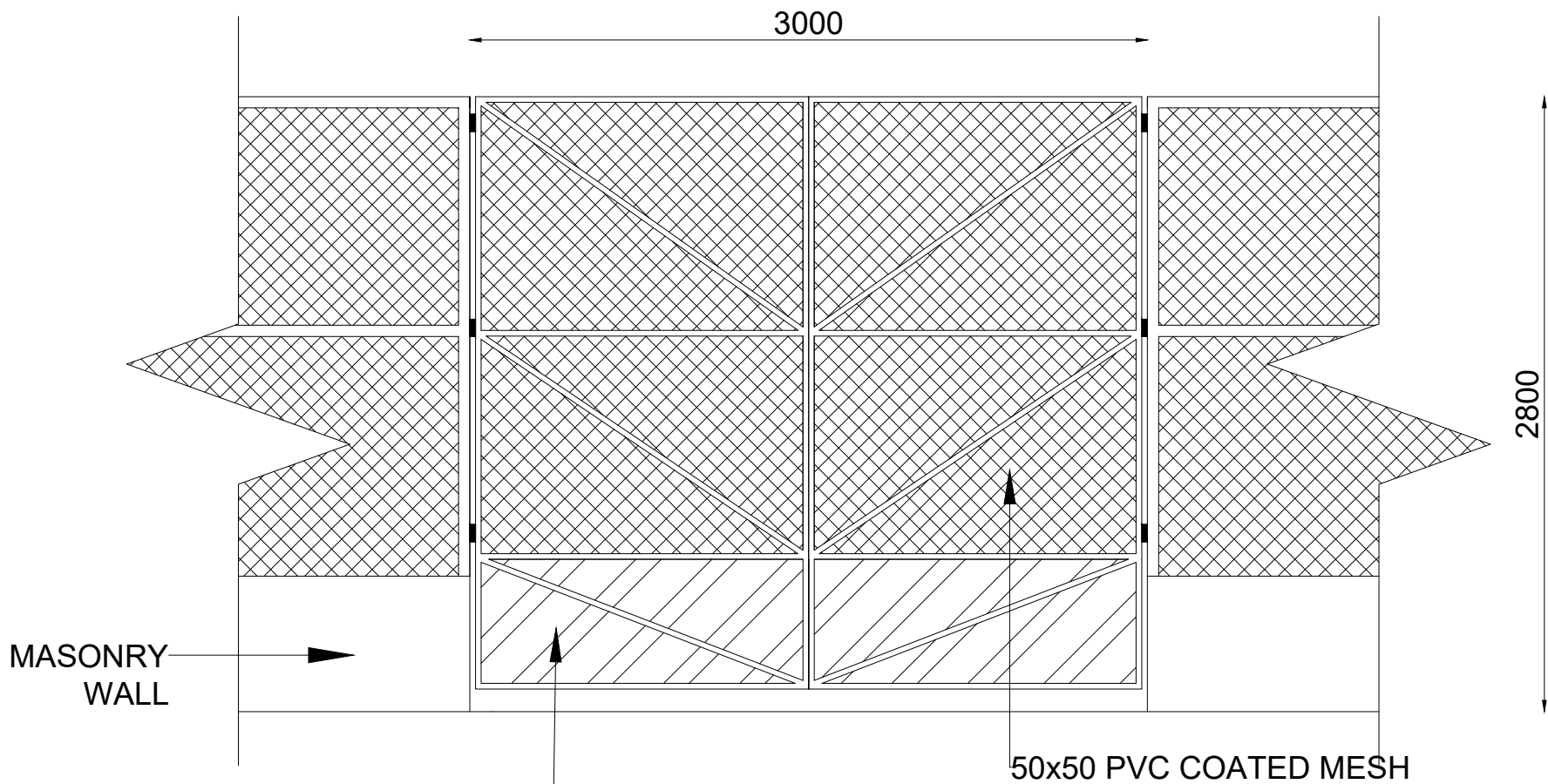


PERIMETER FENCE

NOTE: ALL WELDS
ARE 5mm FILLET
WELD AROUND
MEMBER

FENCE DETAILS

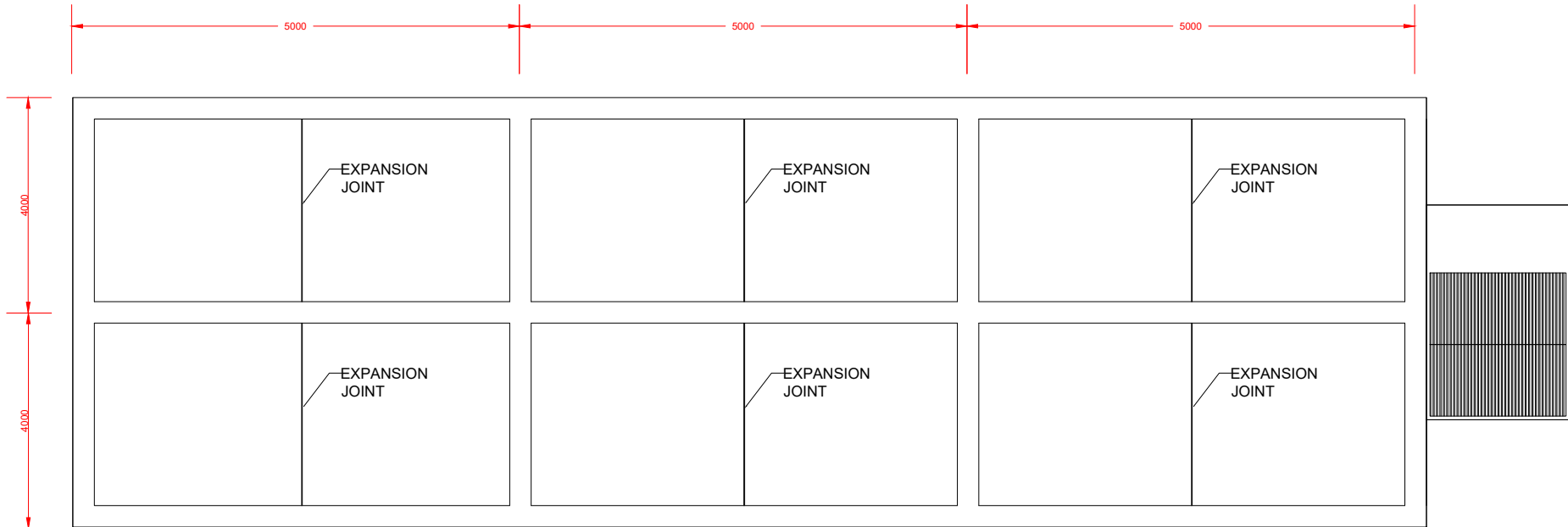




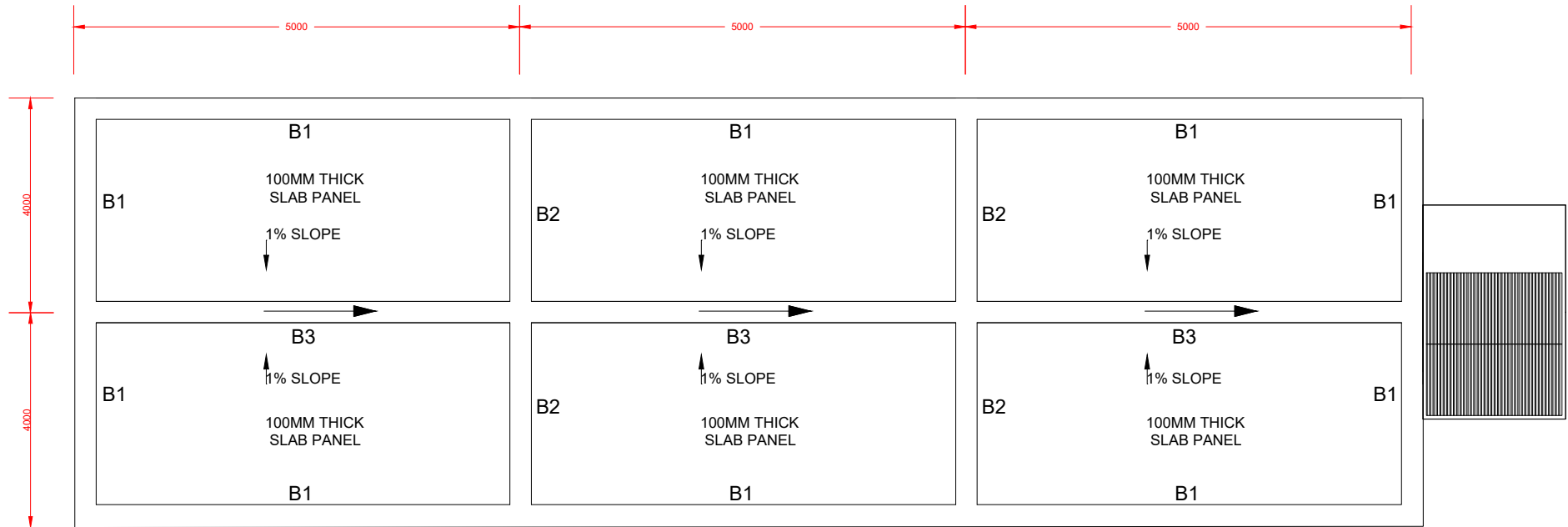
NOTE:
 - DOOR IS MADE FROM 25MM DIA GI PIPE
 - ALL WELDS ARE 5MM FILLET WELDS AROUND MEMBER

MAIN GATE

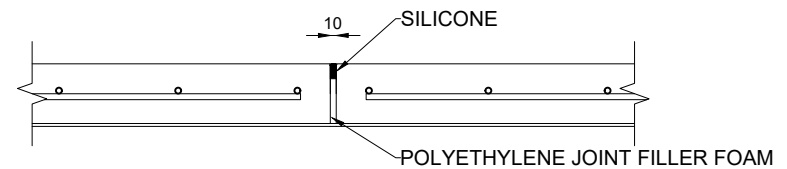
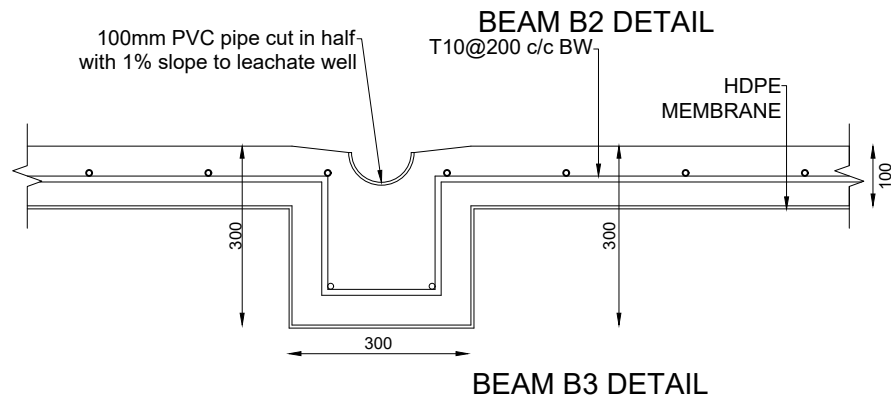
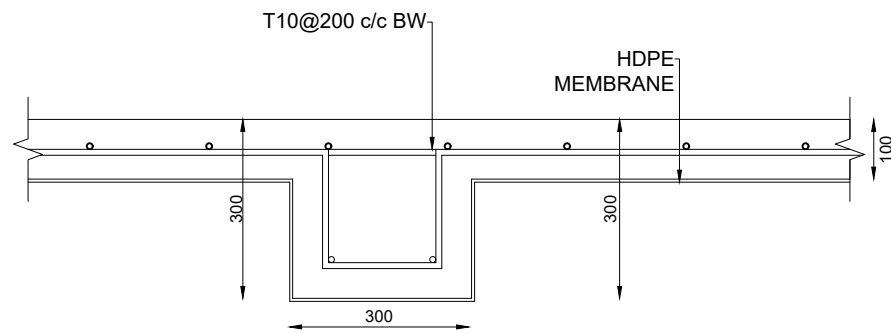
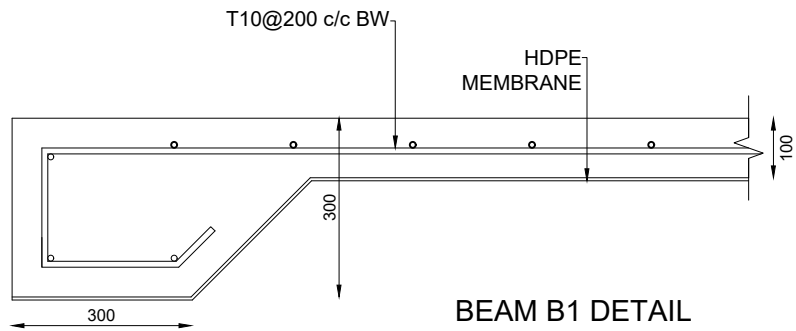




COMPOST SLAB - JOINTS AND SPACINGS

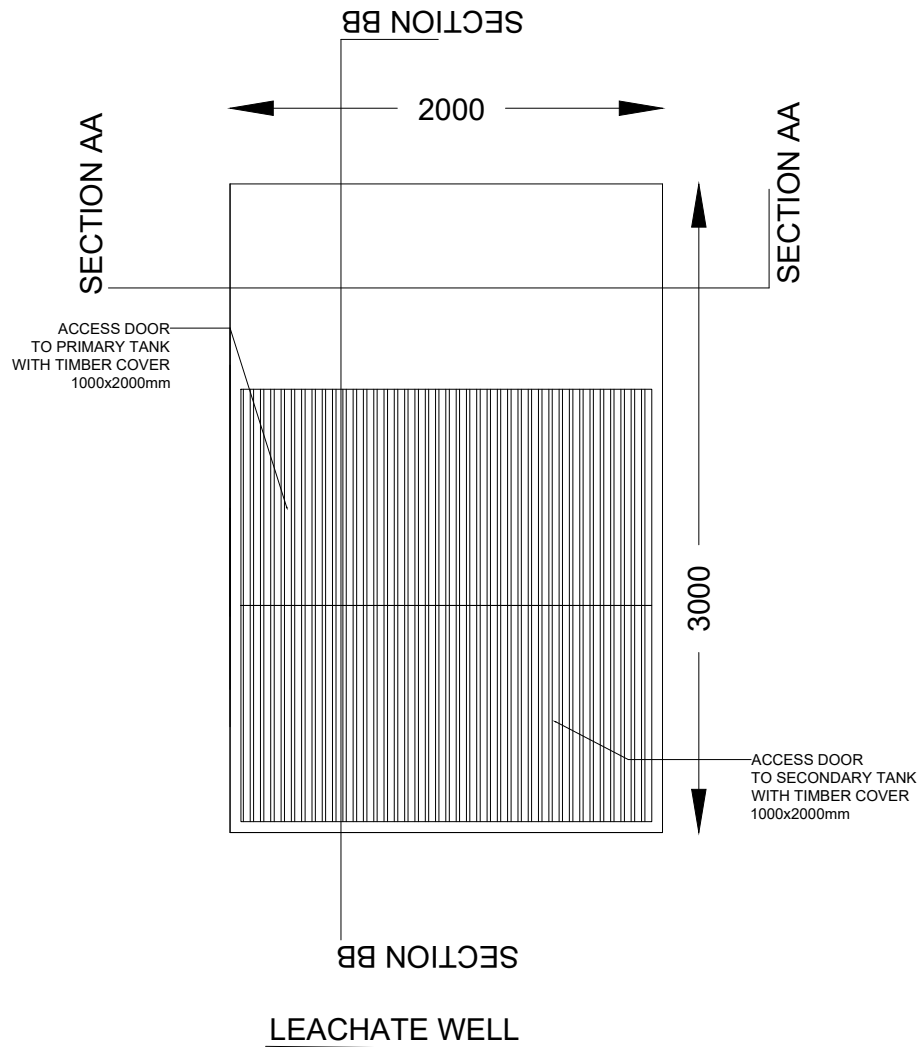


COMPOST SLAB - PLAN

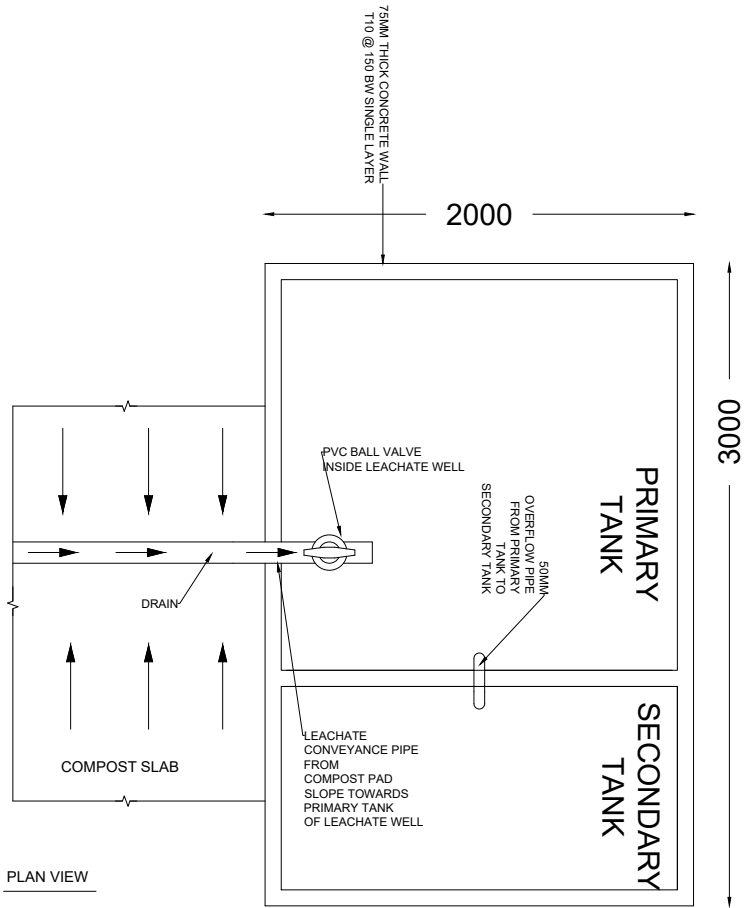


SLAB EXPANSION JOINT DETAIL

COMPOST SLAB BEAM DETAILS

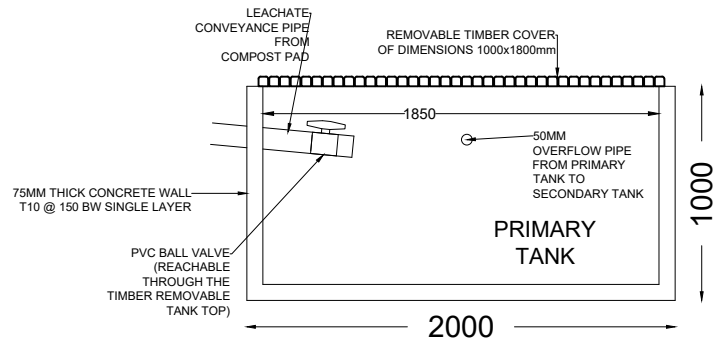


LEACHATE COLLECTION TANK

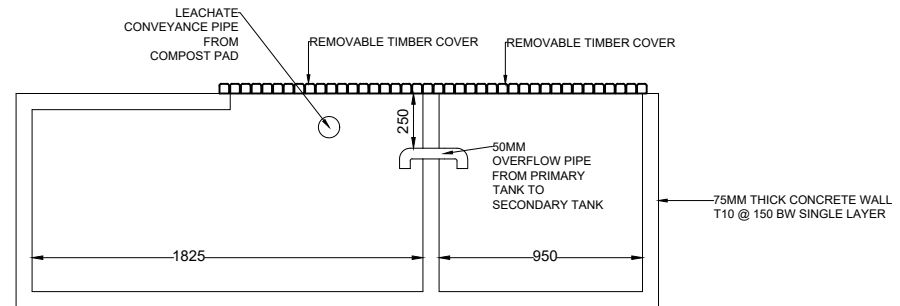


PLAN

LEACHATE WELL DETAILS



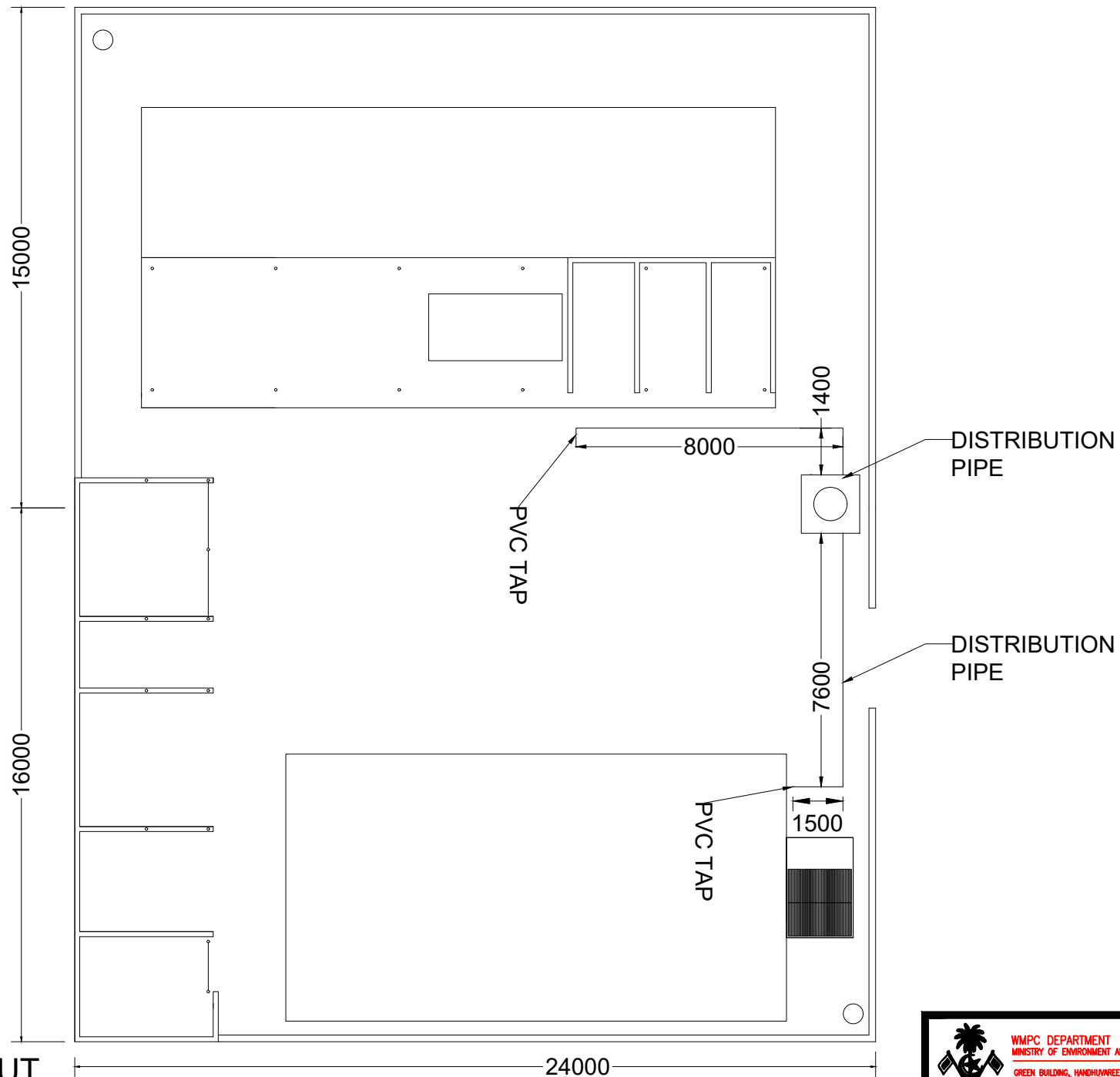
SECTION AA

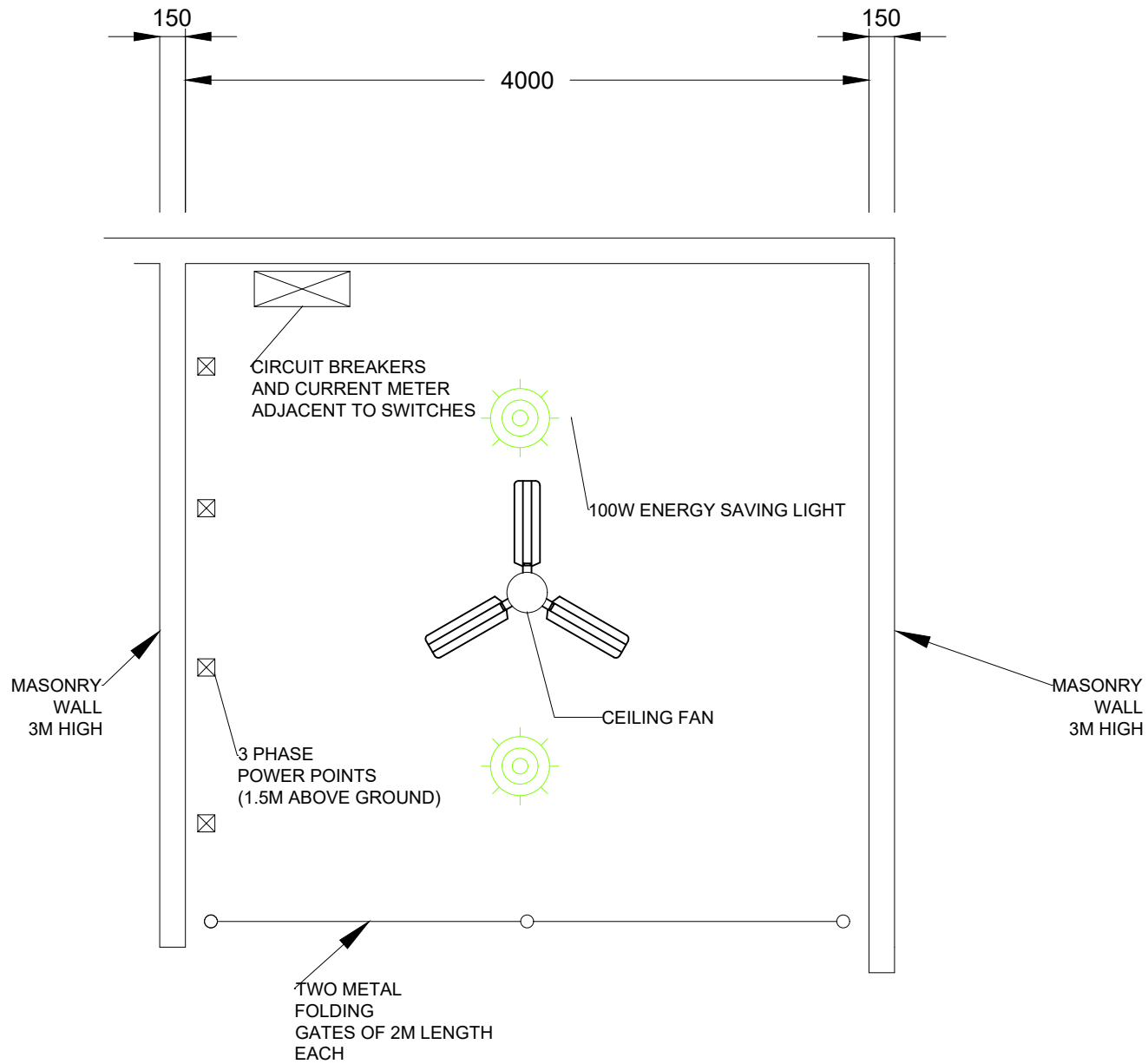


SECTION BB

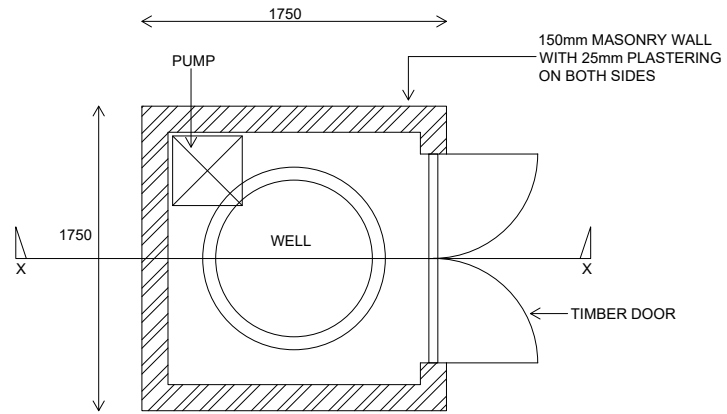
LEACHATE COLLECTION TANK - DETAILS

PLUMBING LAYOUT

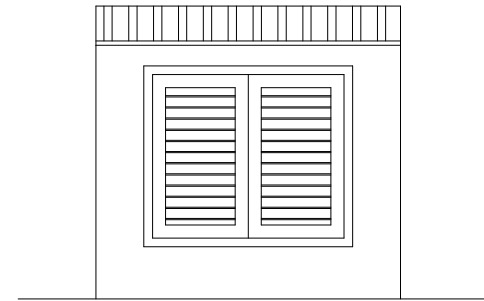




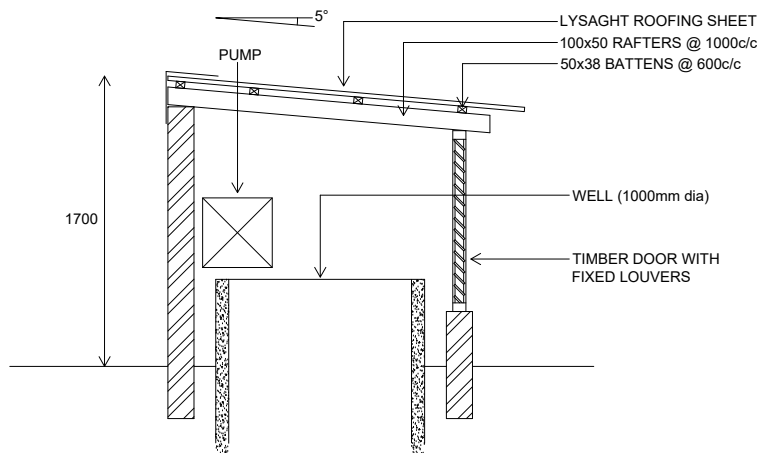
ELECTRICAL LAYOUT - EQUIPMENT ROOM



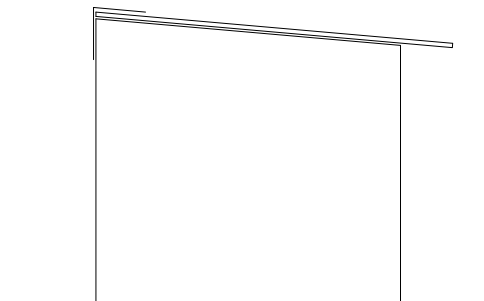
PUMP ROOM HUT



FRONT ELEVATION



SECTION X-X



SIDE ELEVATION

GROUND WATER PUMP ROOM HUT DETAILS