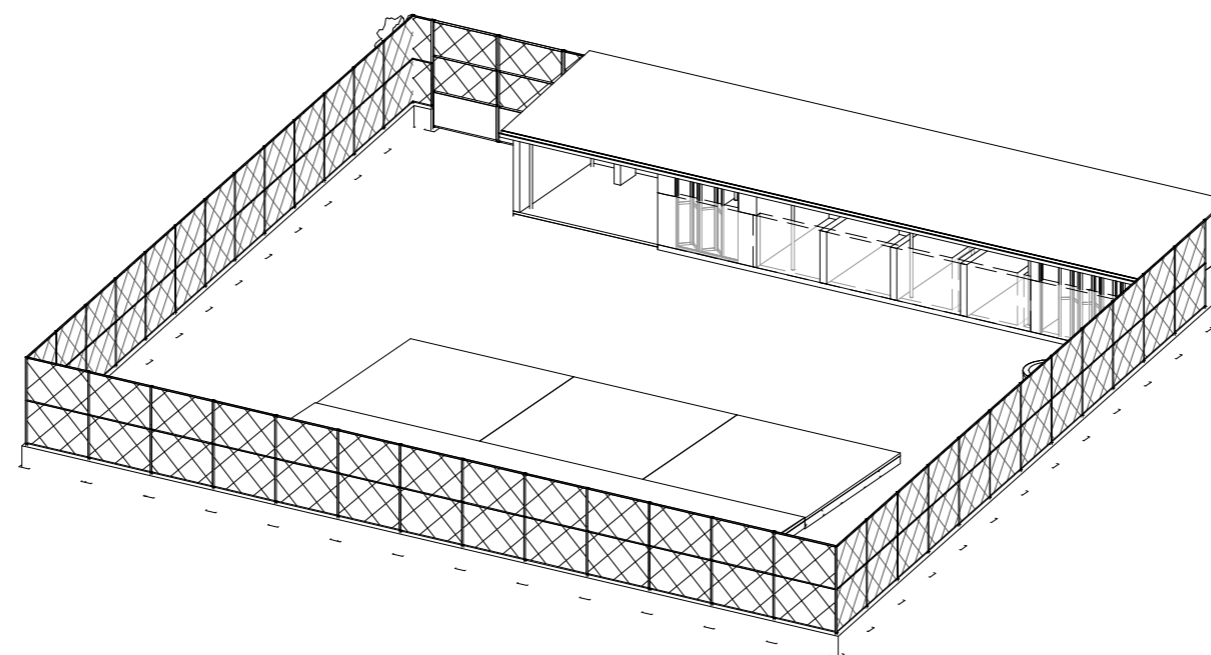
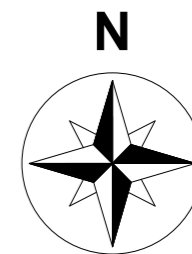


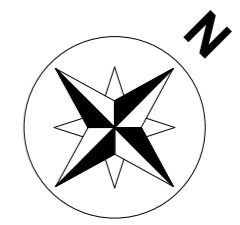
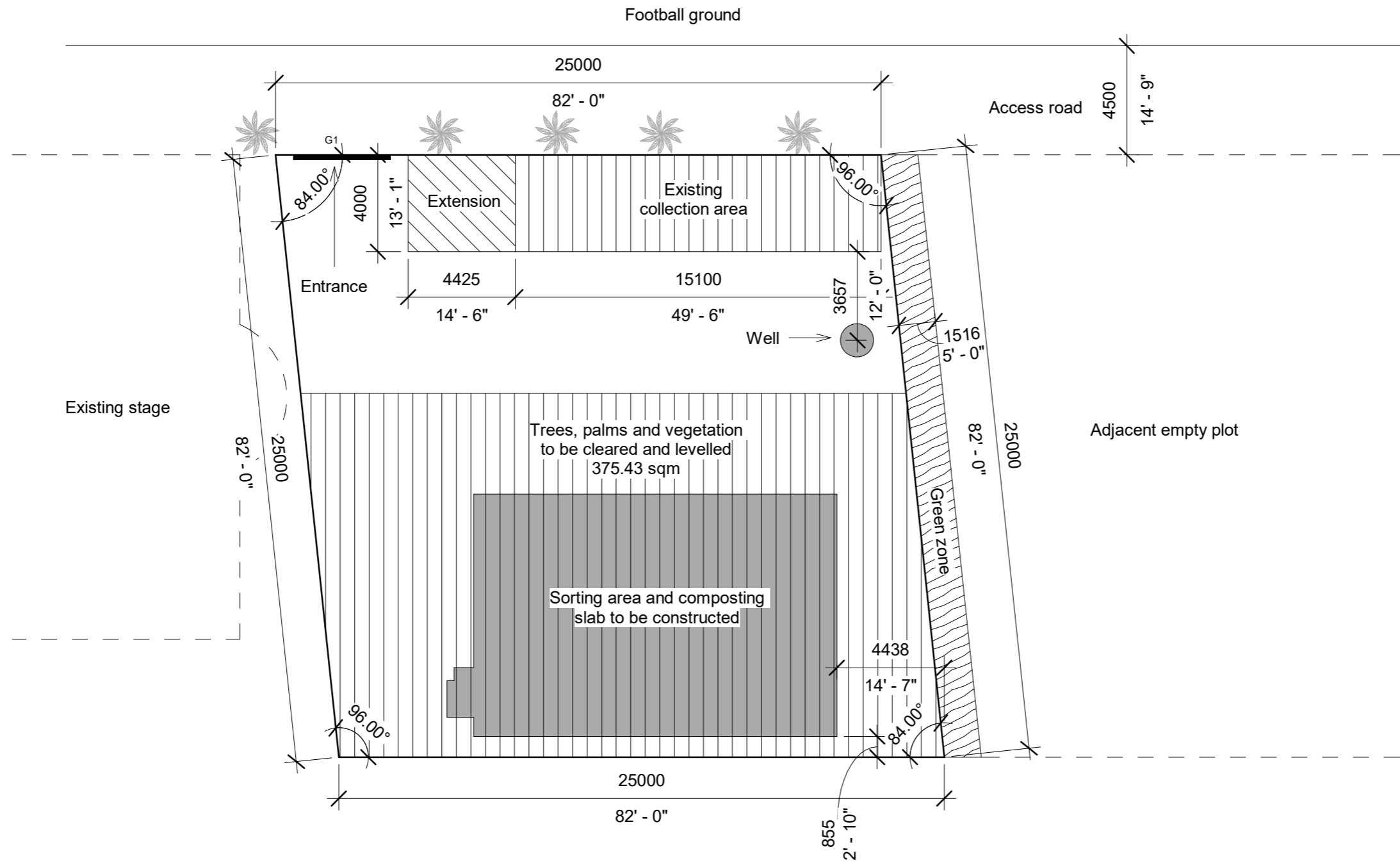
WCC Upgrading



AA.Bodufulhadhoo

10 April 2019



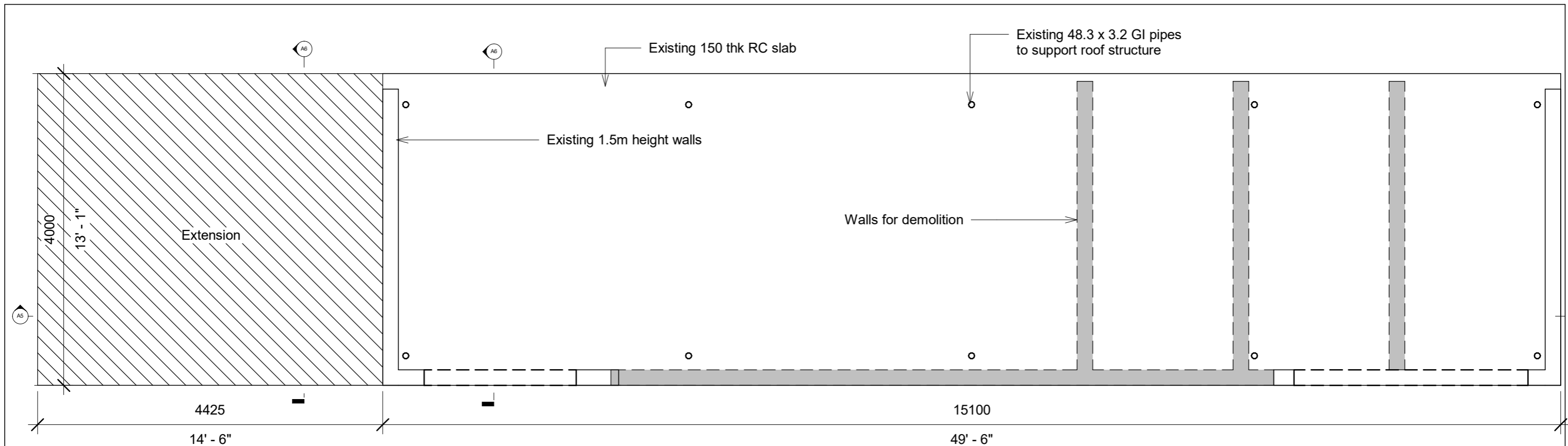


Note

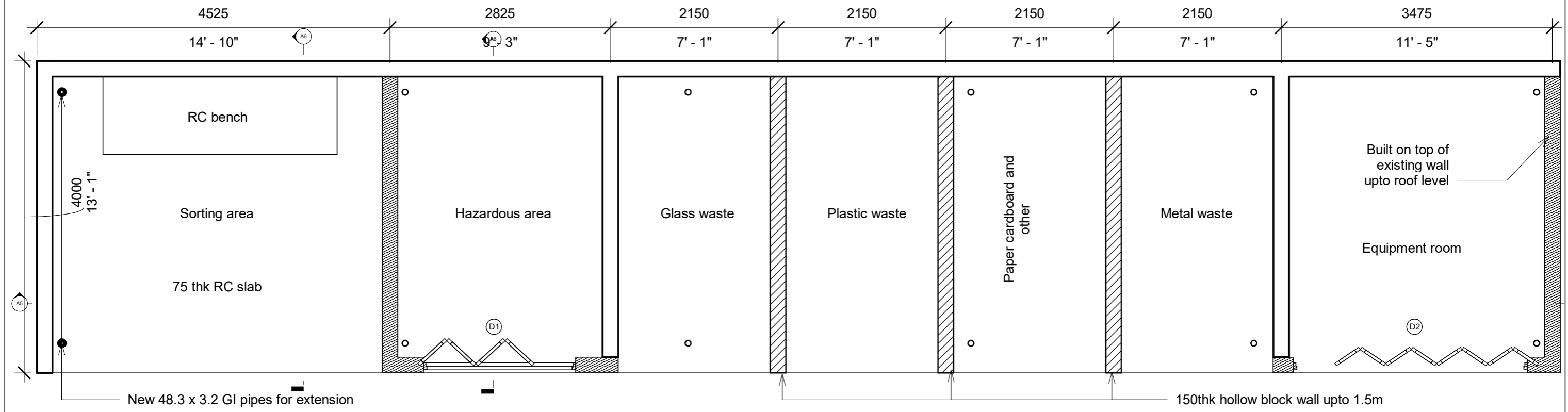
- Coconut palms falling outside the boundary of IWMC to be maintained as is
- Clearance area will require levelling

Total plot area	= 621.576 SQM
Total built area	= 230.19 SQM
Existing structure	= 60.4 SQM
Extension	= 17.7 SQM
Composting slab	= 152.09 SQM
Total clearance area (est)	= 375.43 SQM

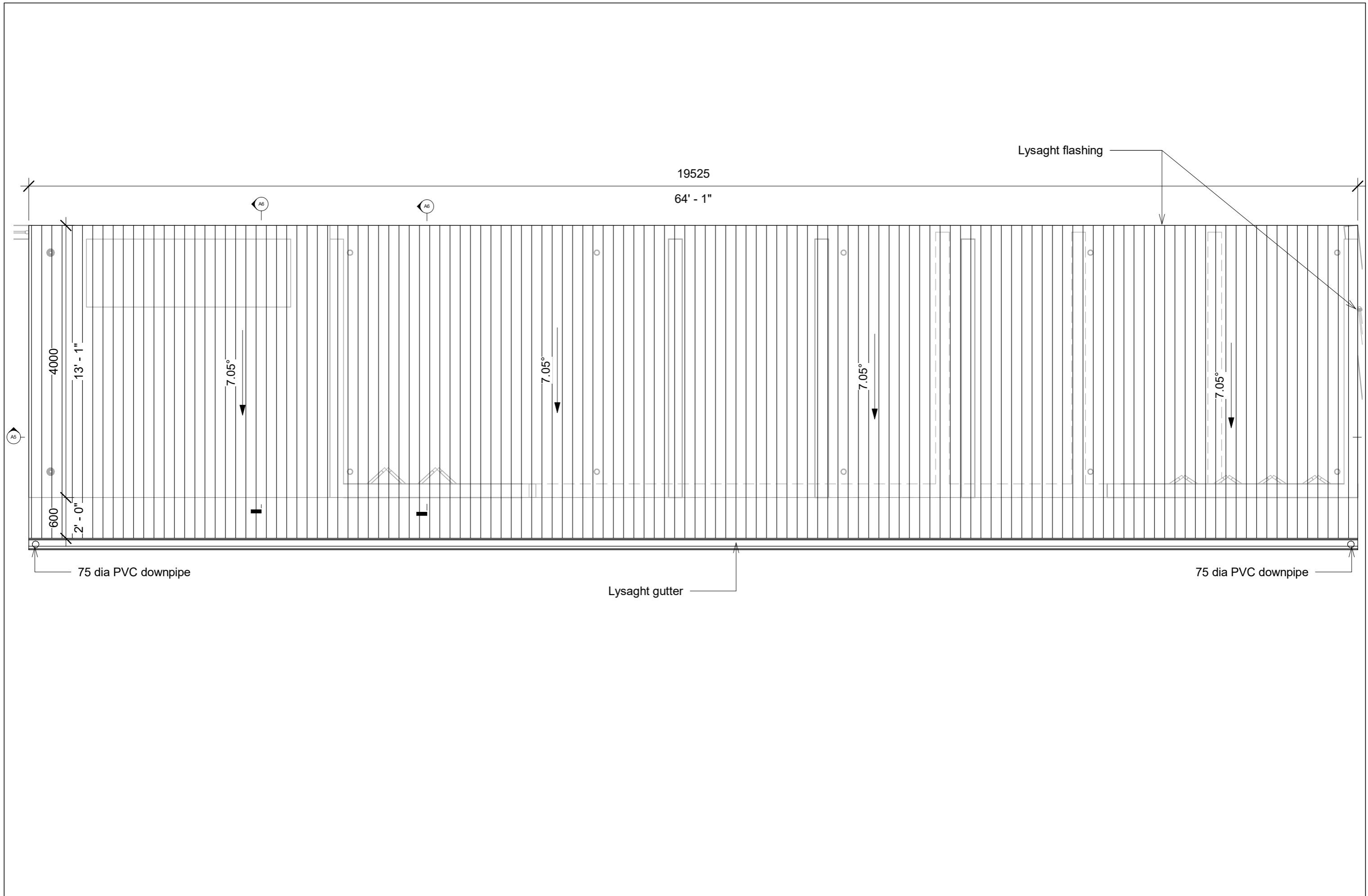


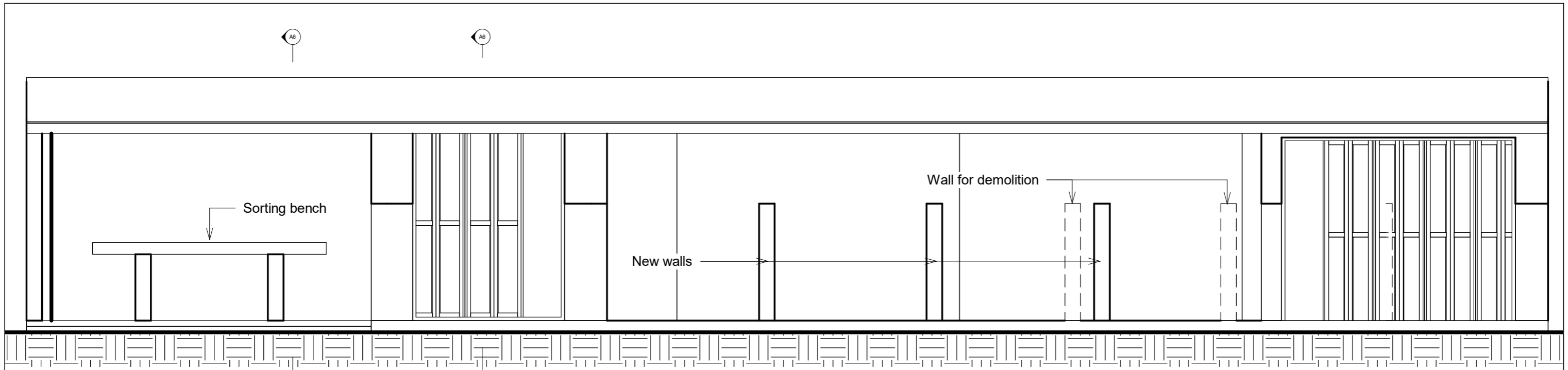


1 Collection area existing
1 : 50



2 Collection area new
1 : 50

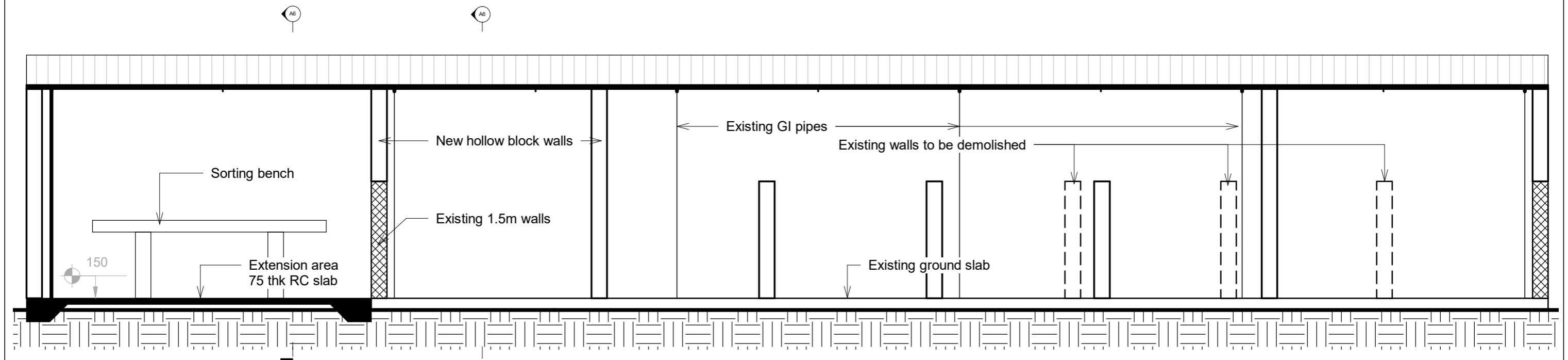




Elevation 1

2

1 : 50

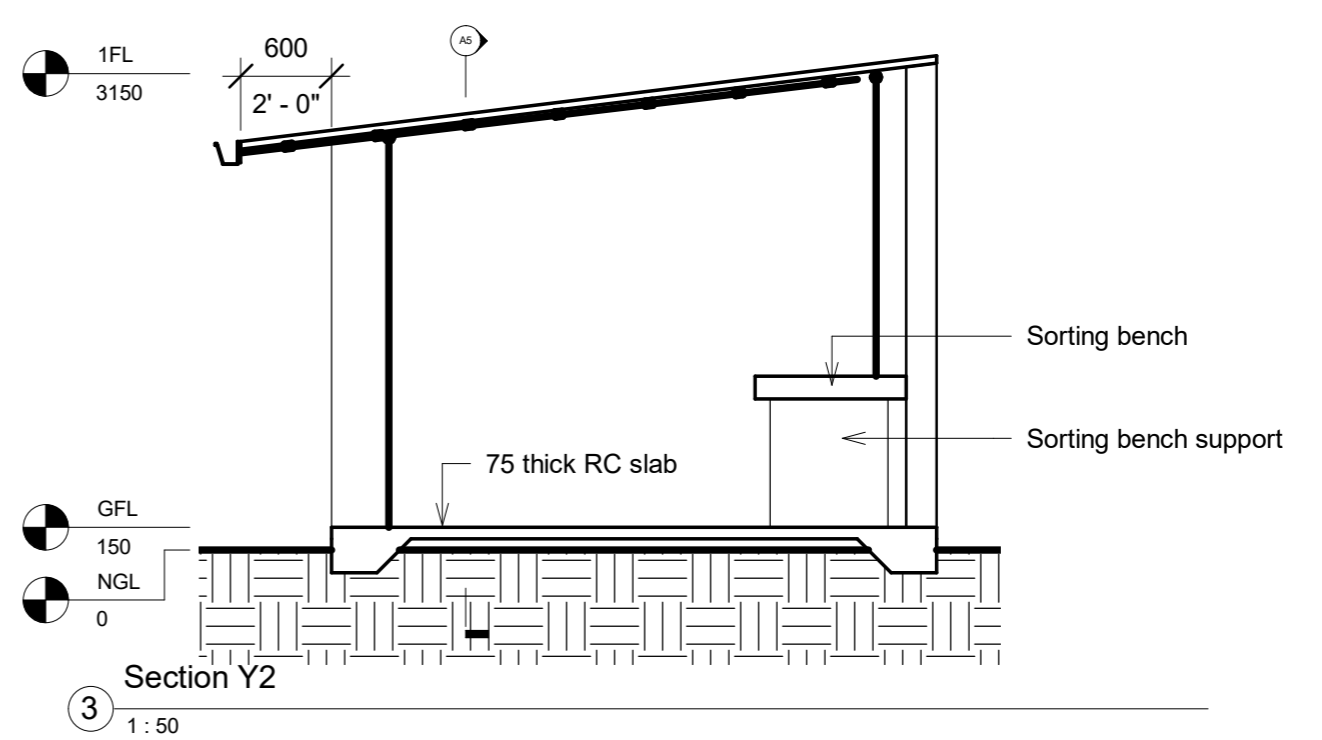
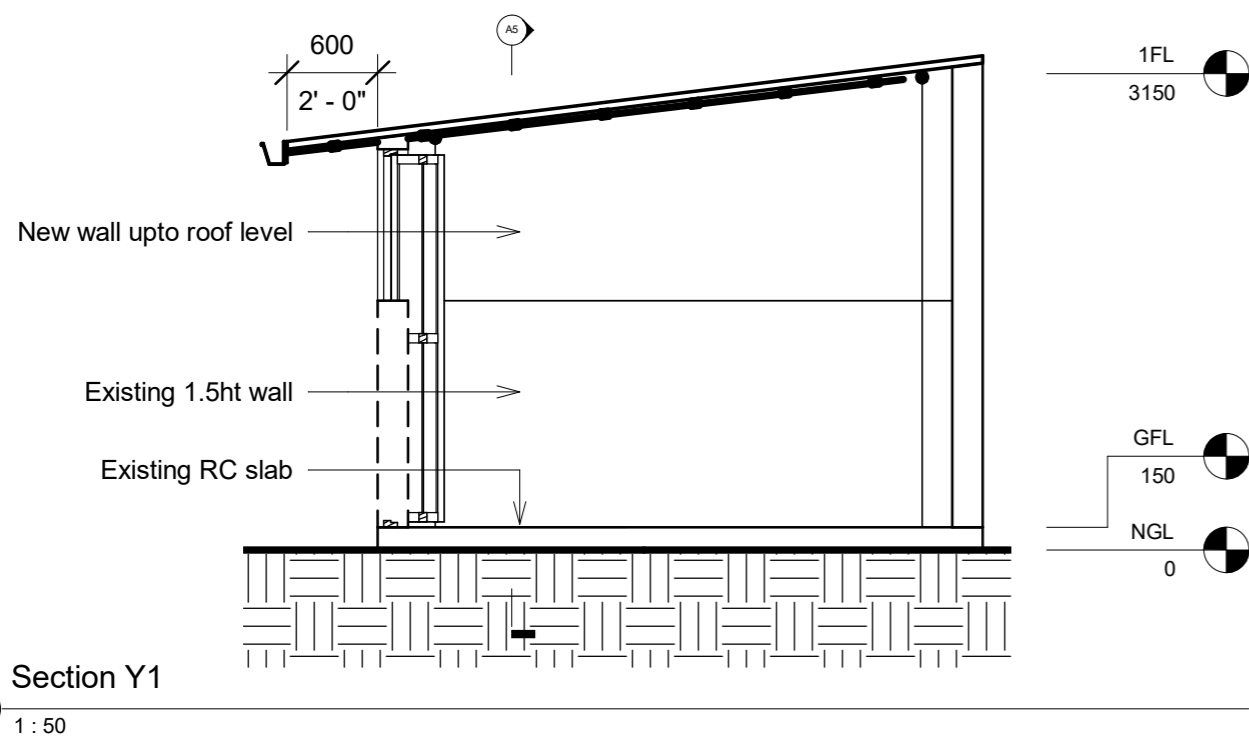
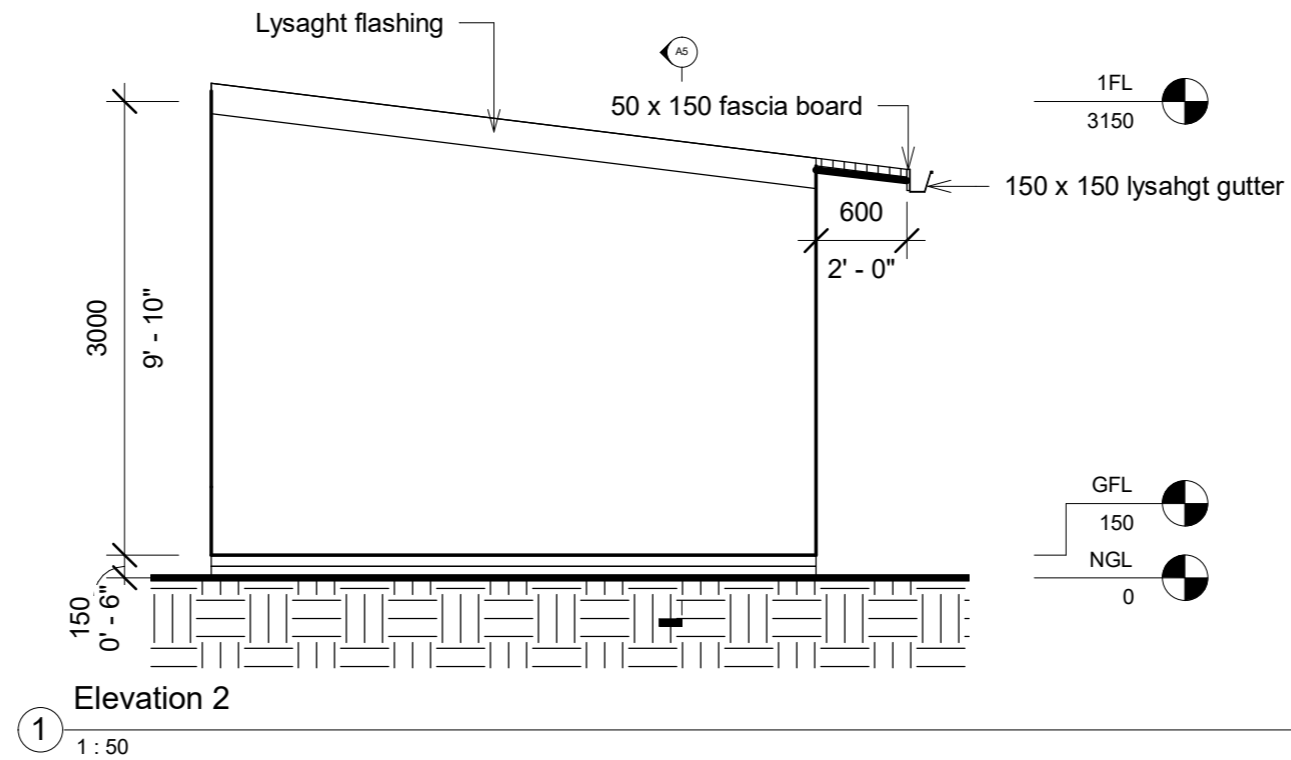


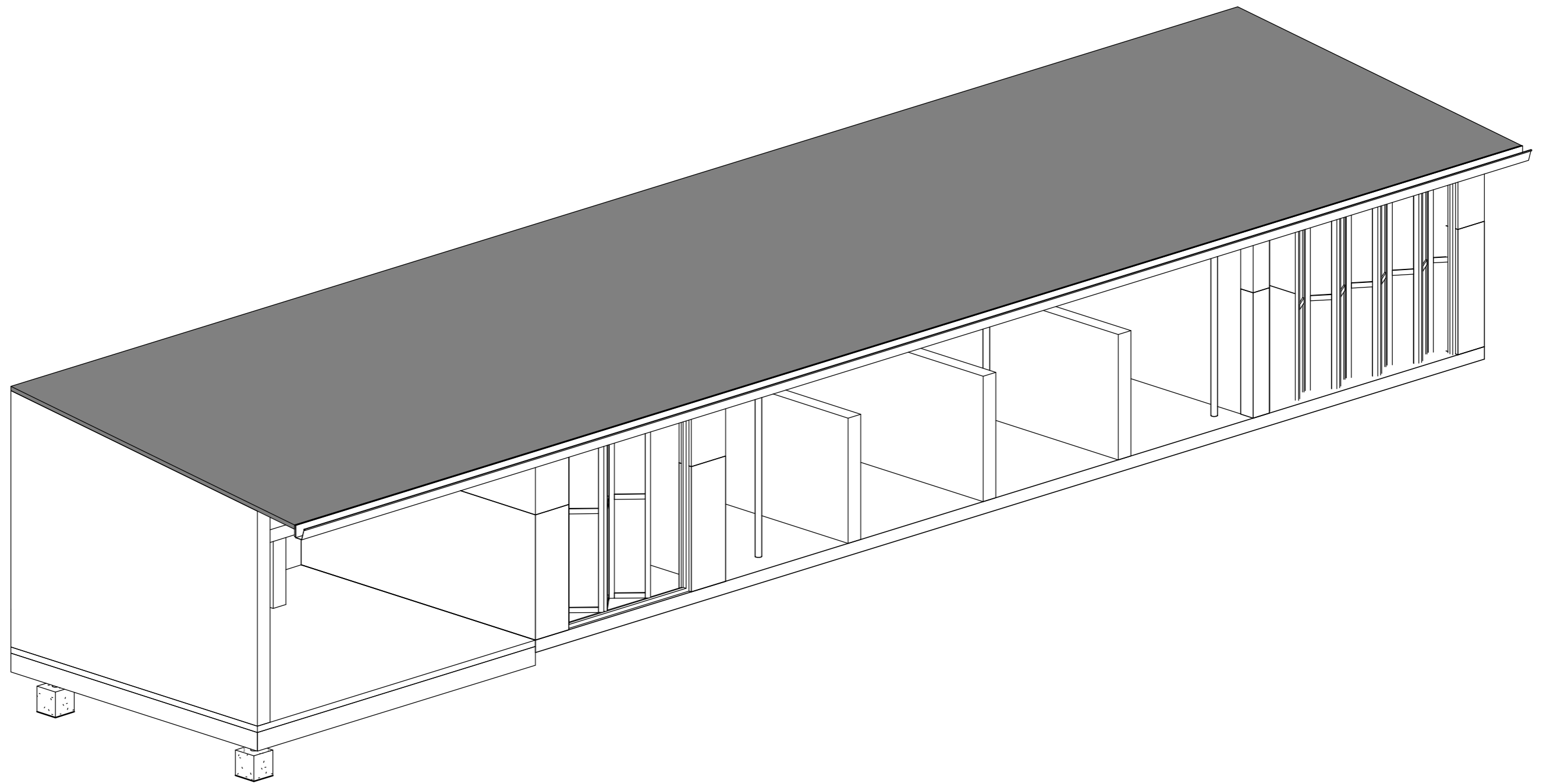
Section X

1

1 : 50





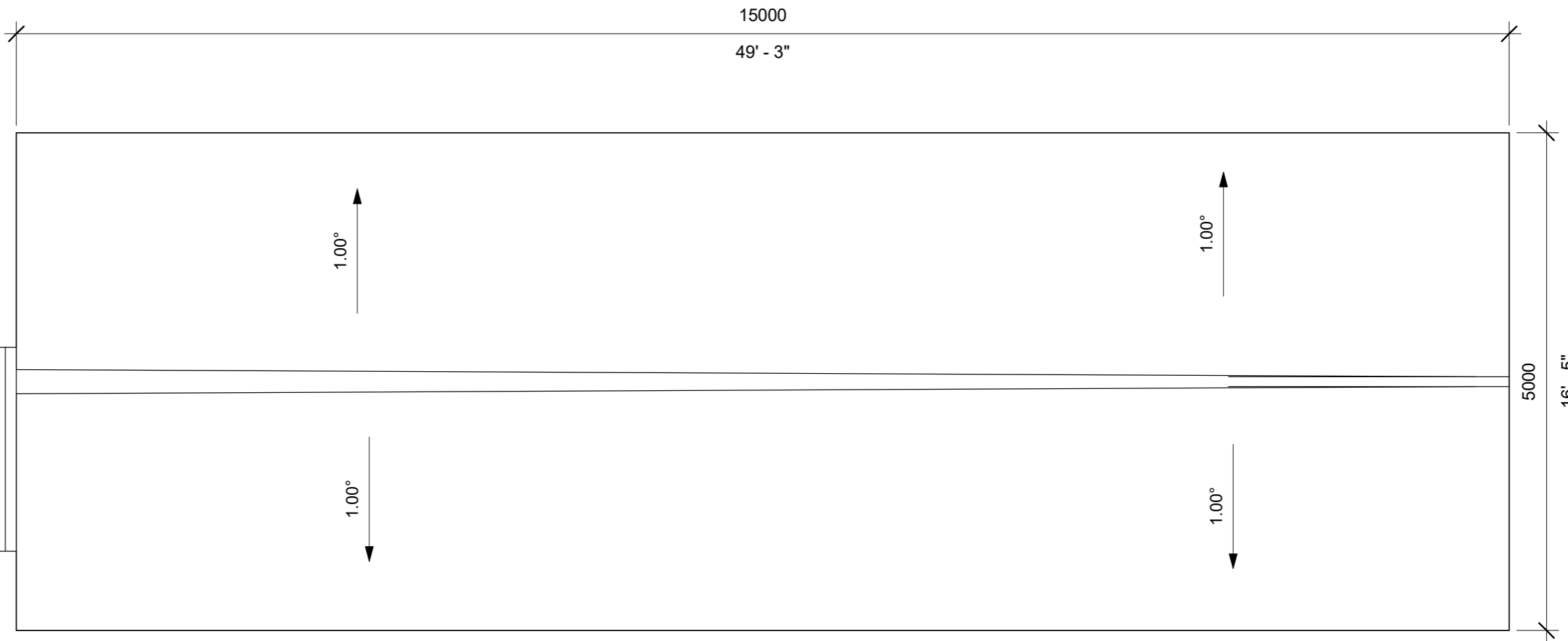
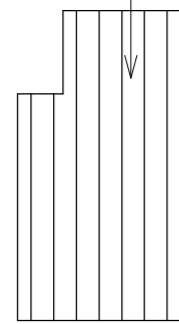


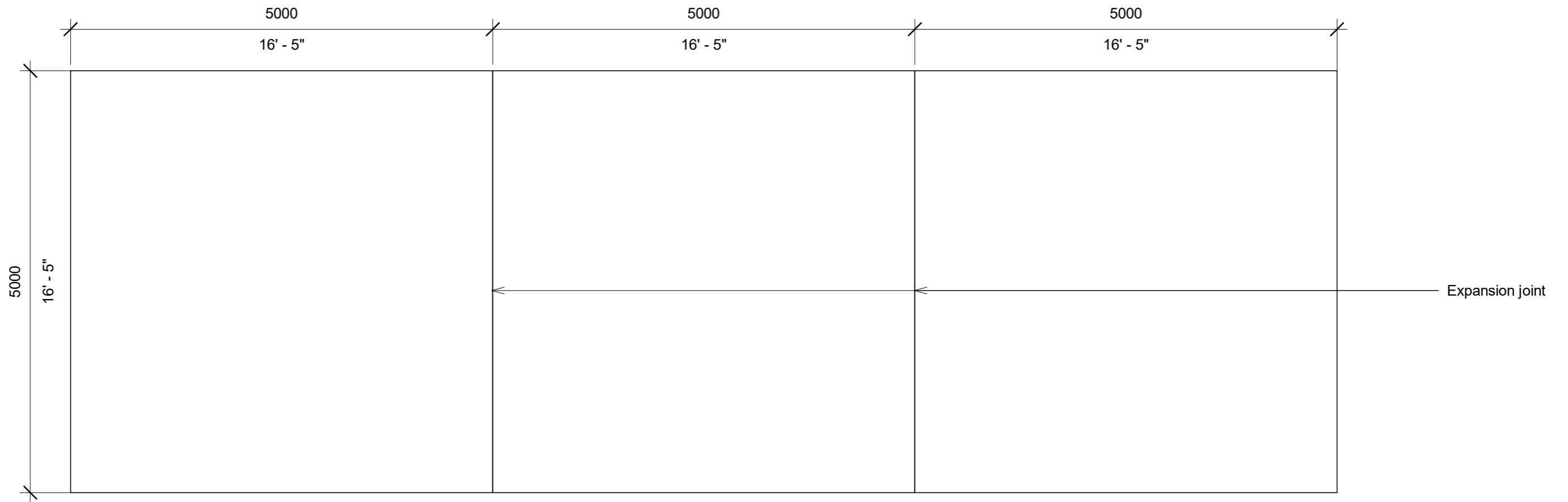
3D

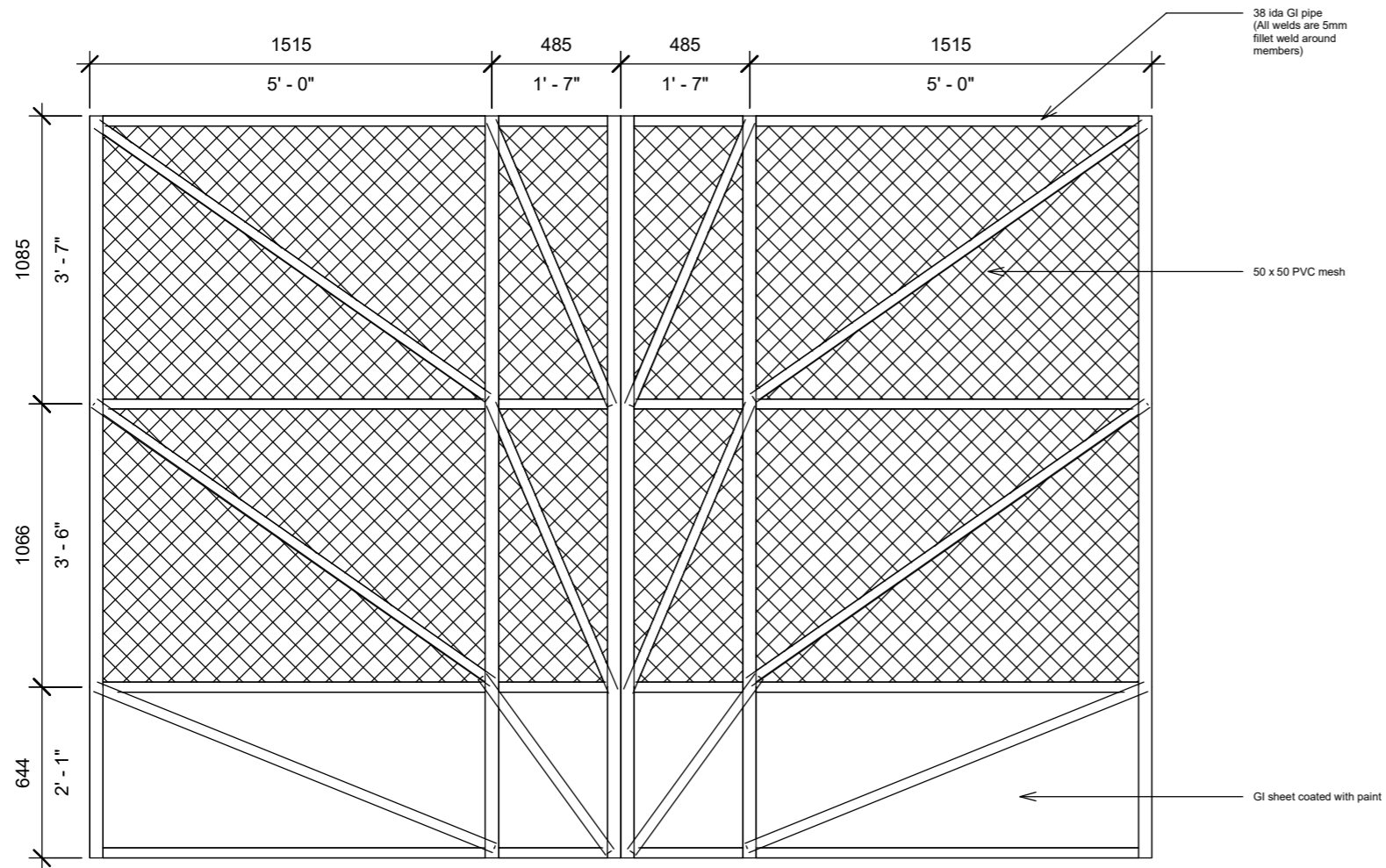
A7

Scale

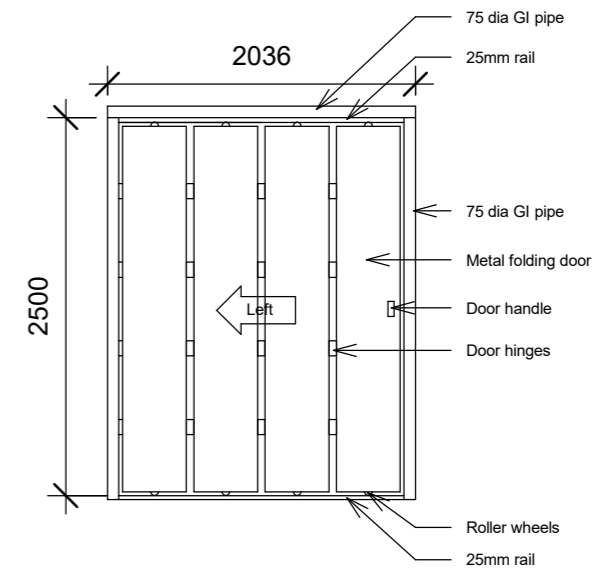
Leachate tank



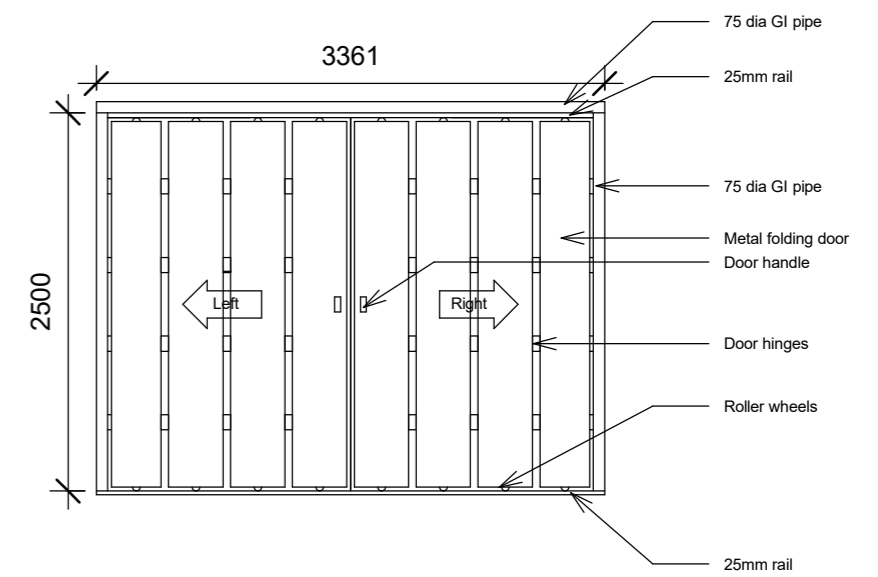




Gate G1
Scale 1:20

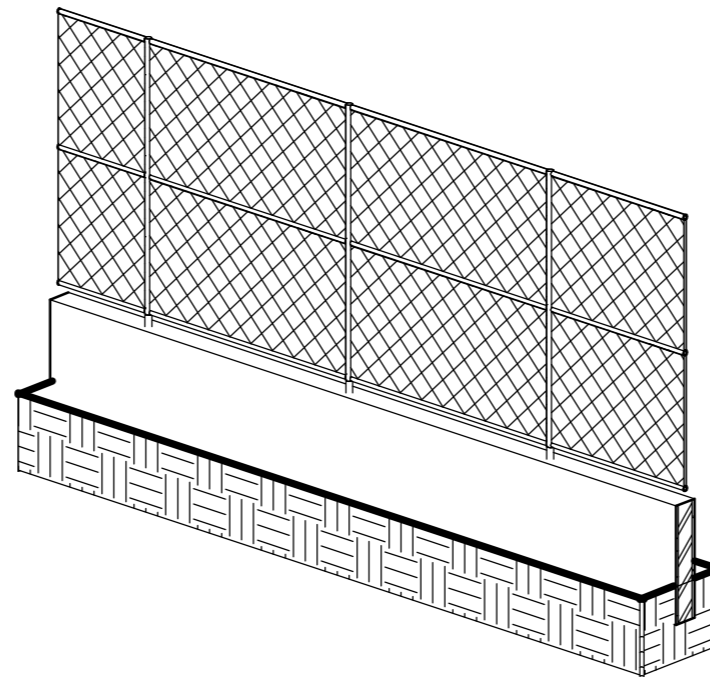
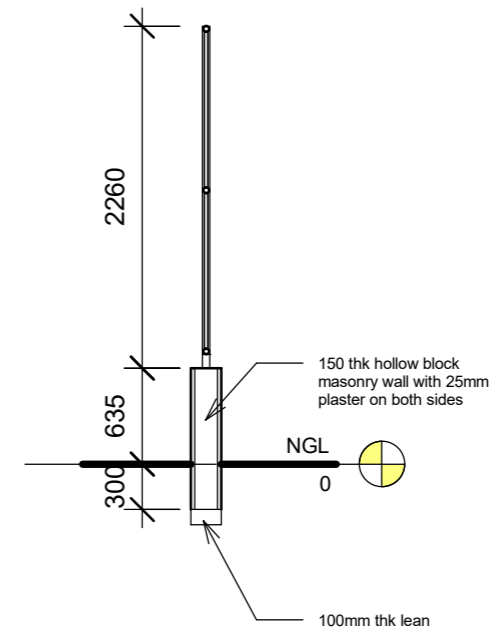
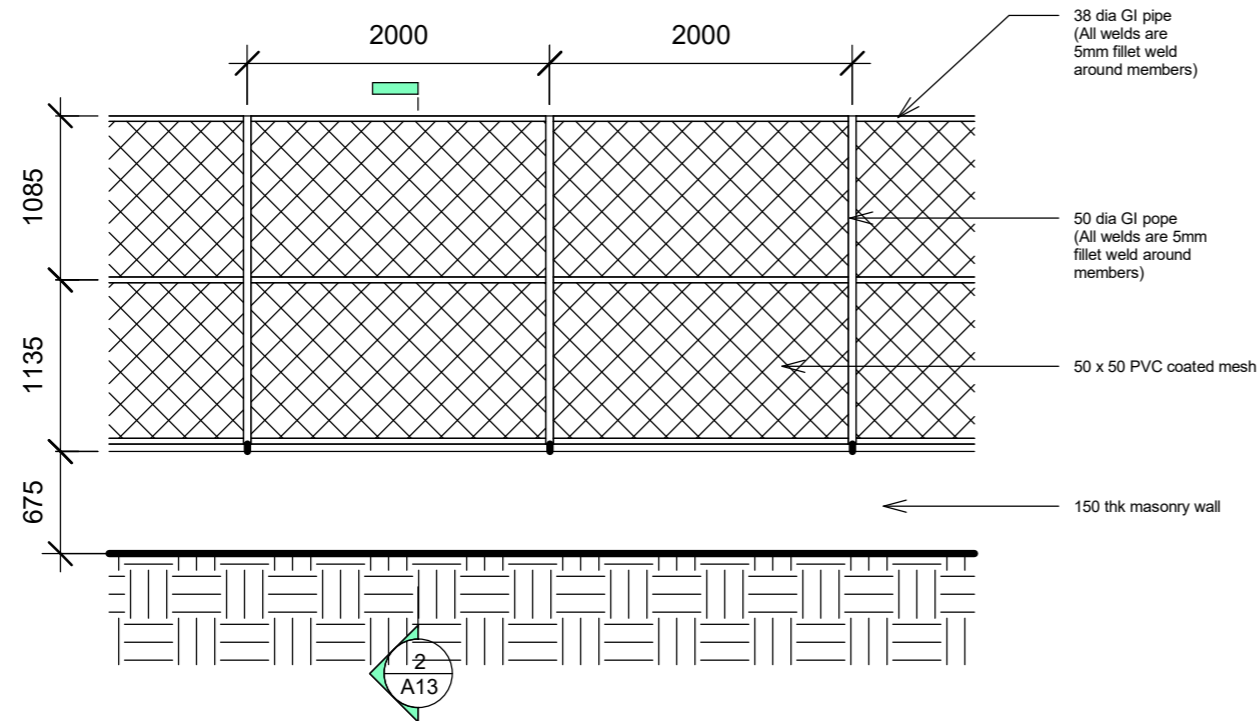


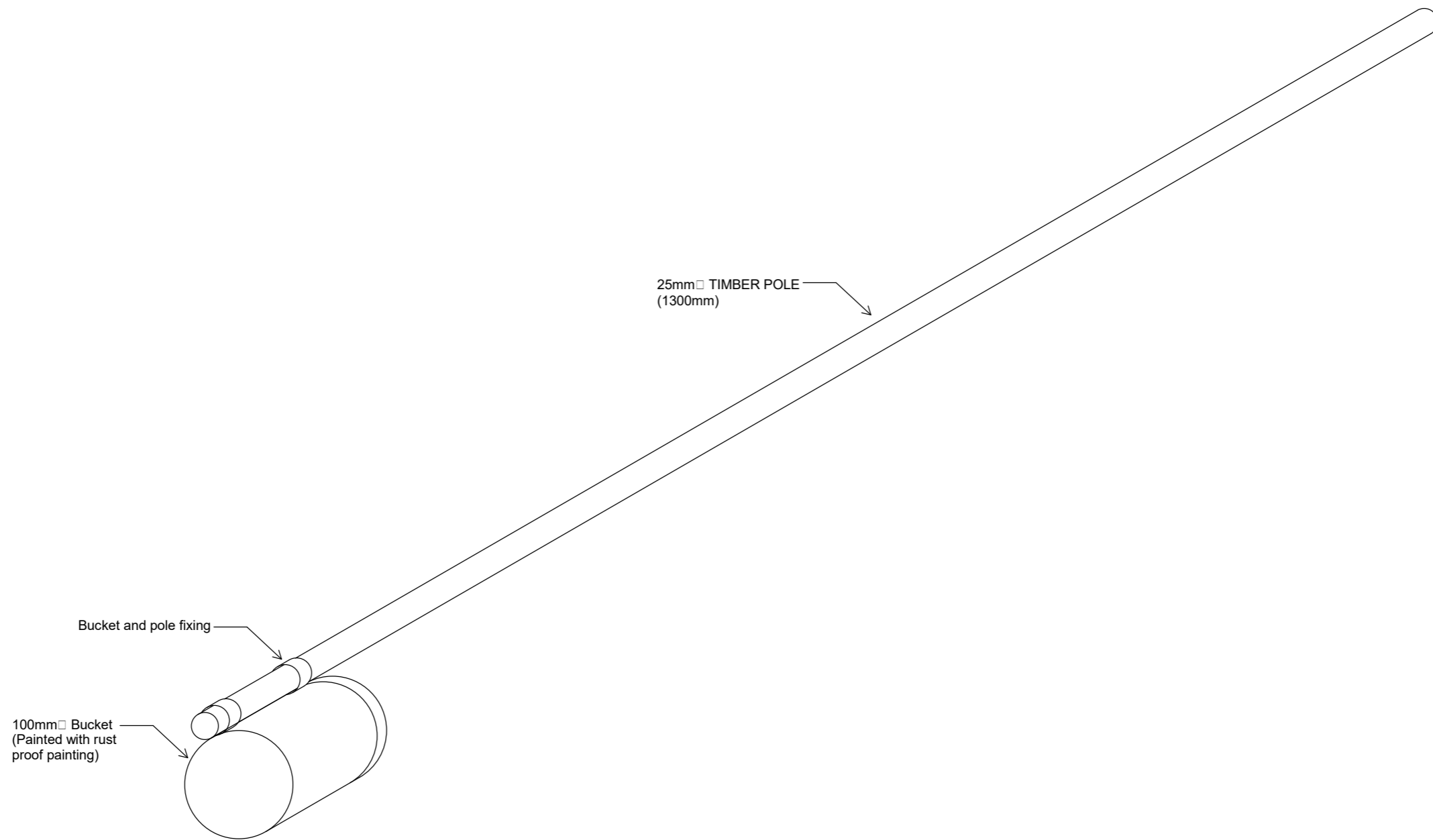
D1
Scale 1:50

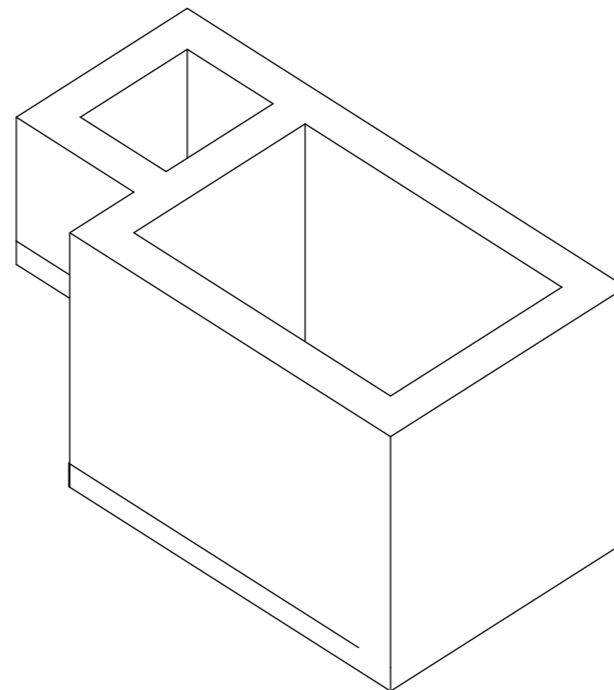
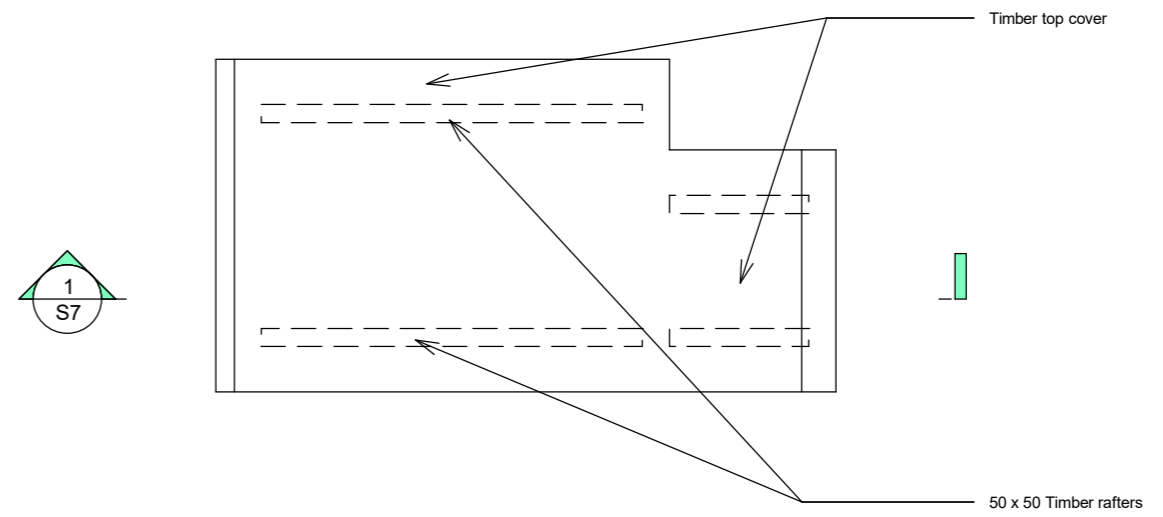
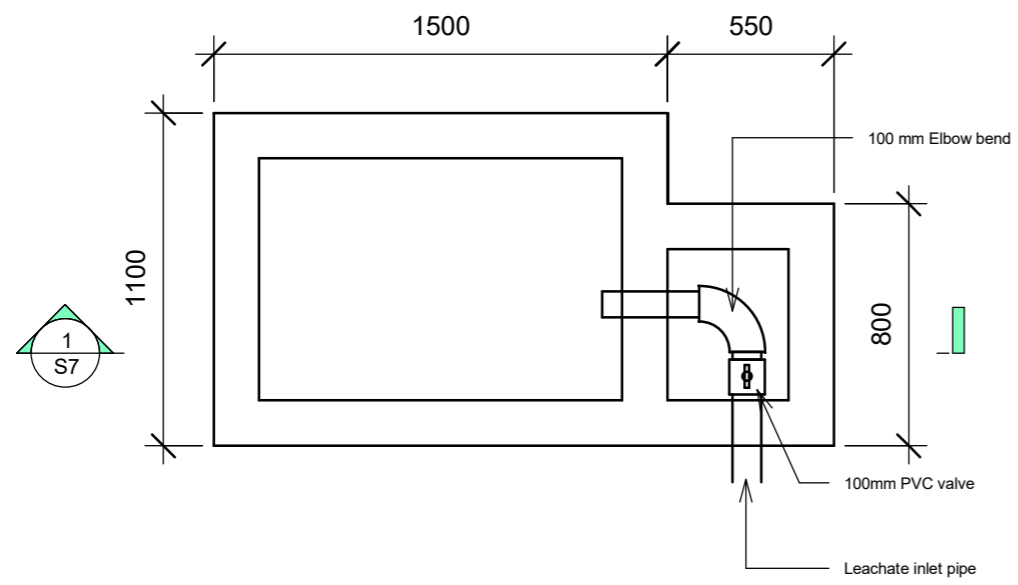


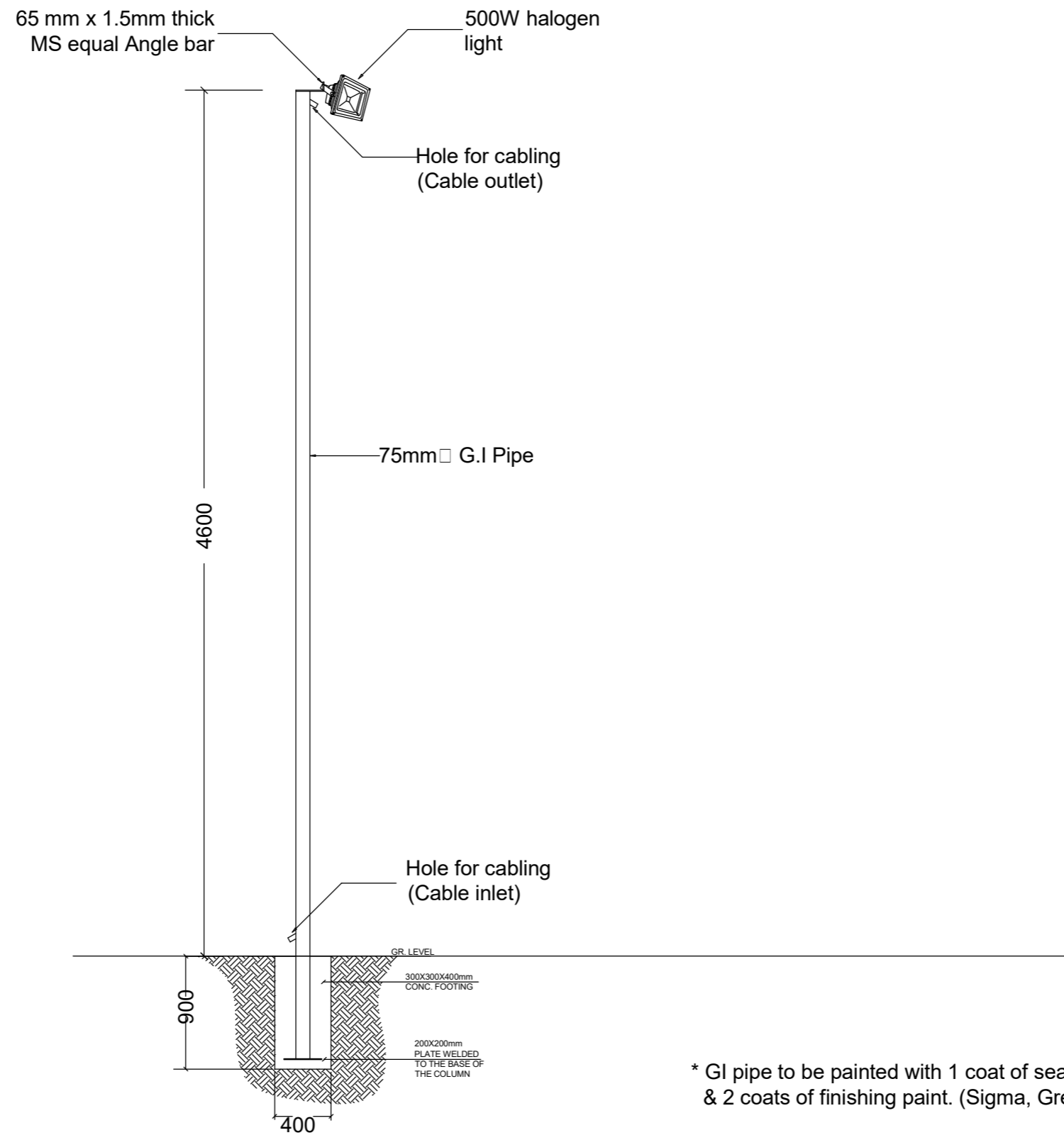
D2
Scale 1:50







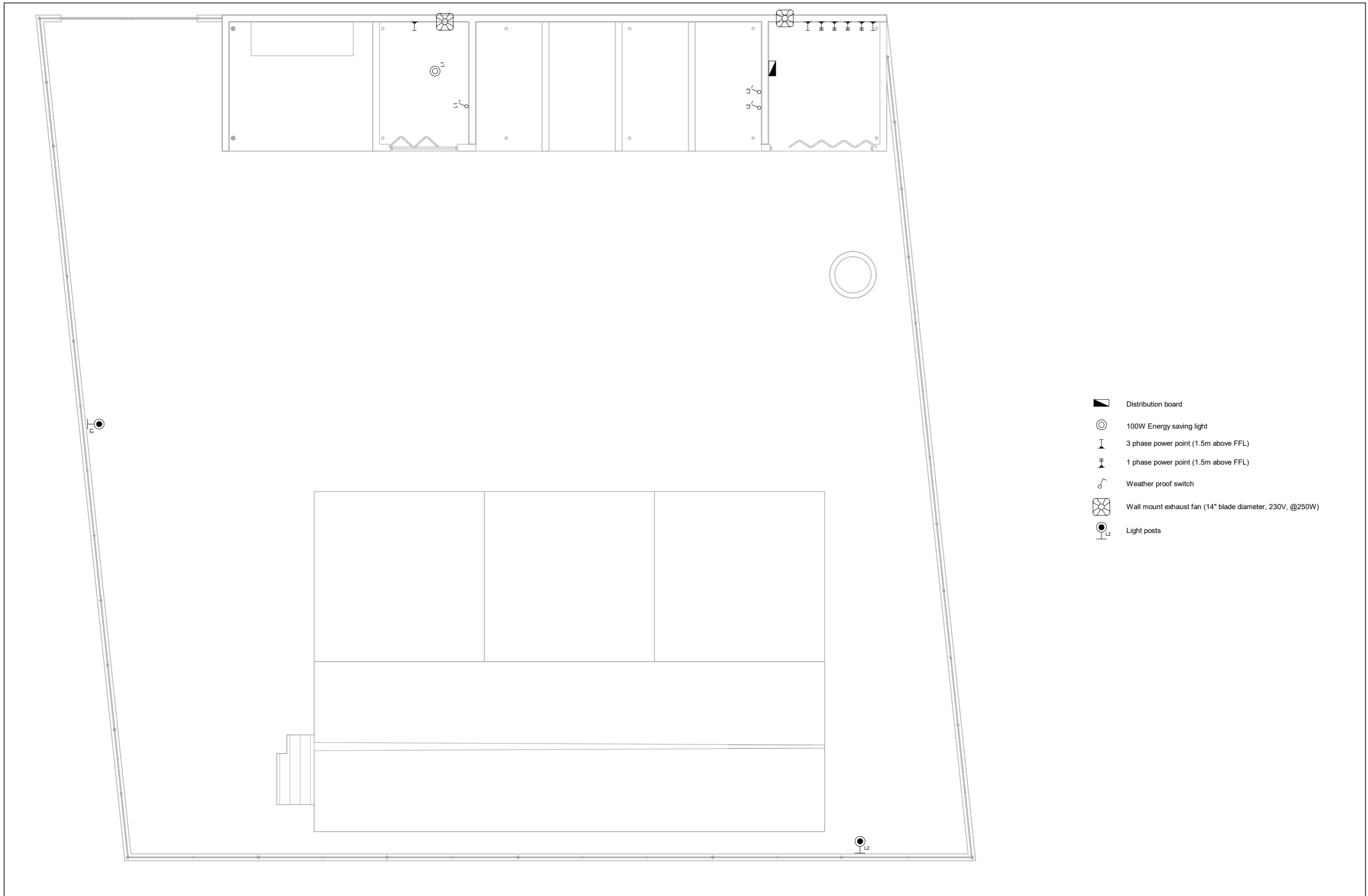











* GI pipe to be painted with 1 coat of sealer & 2 coats of finishing paint. (Sigma, Grey colour)

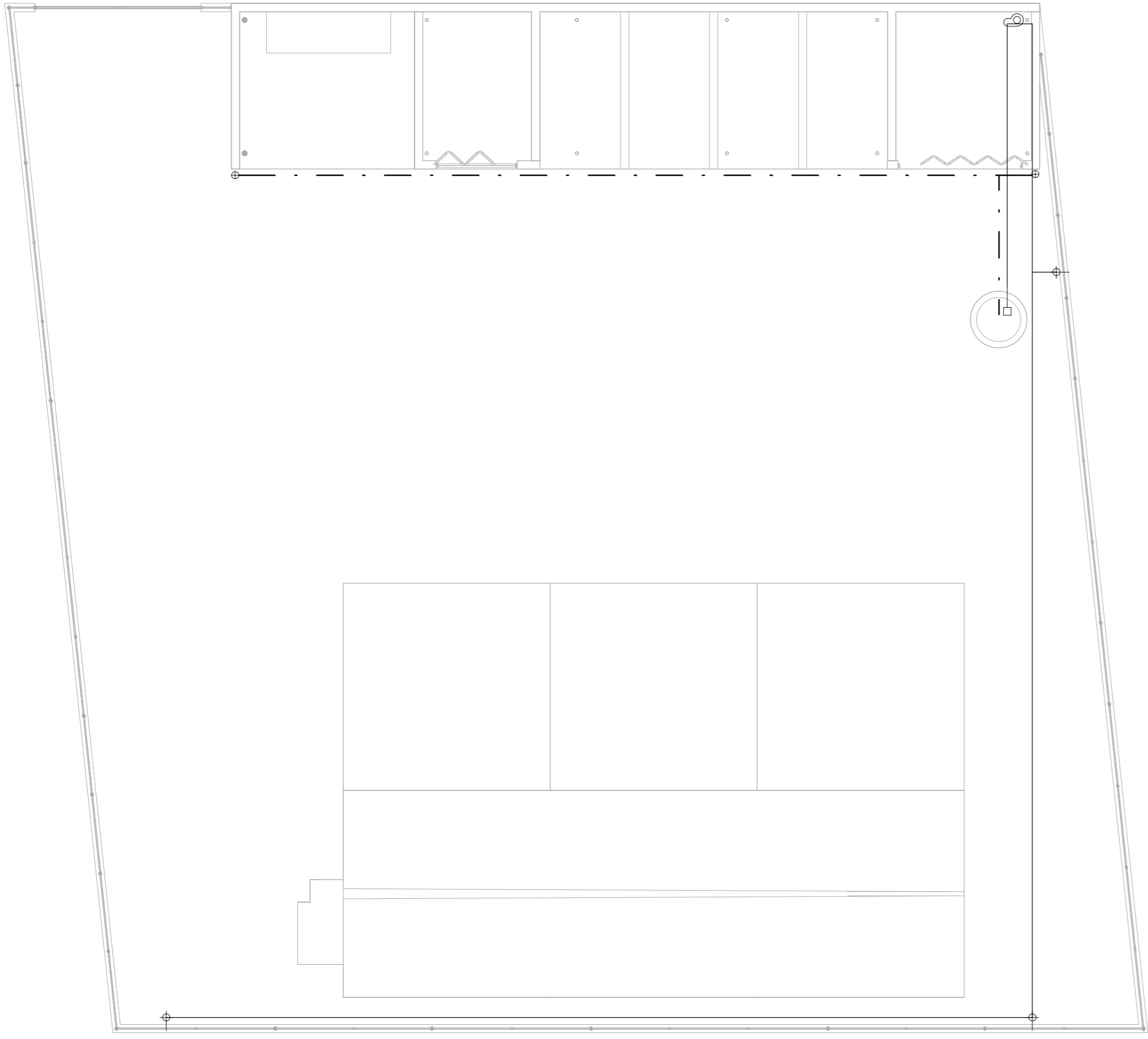
LIGHT POST DETAIL





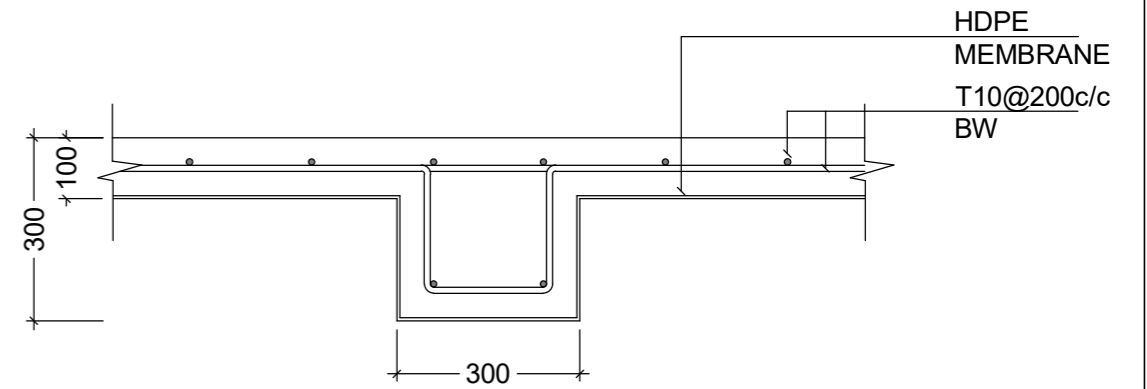
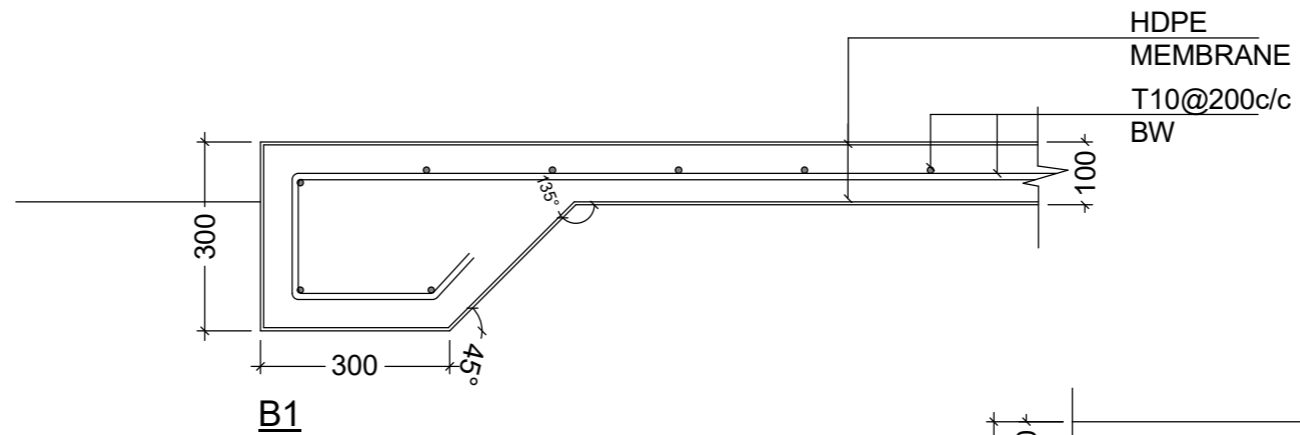
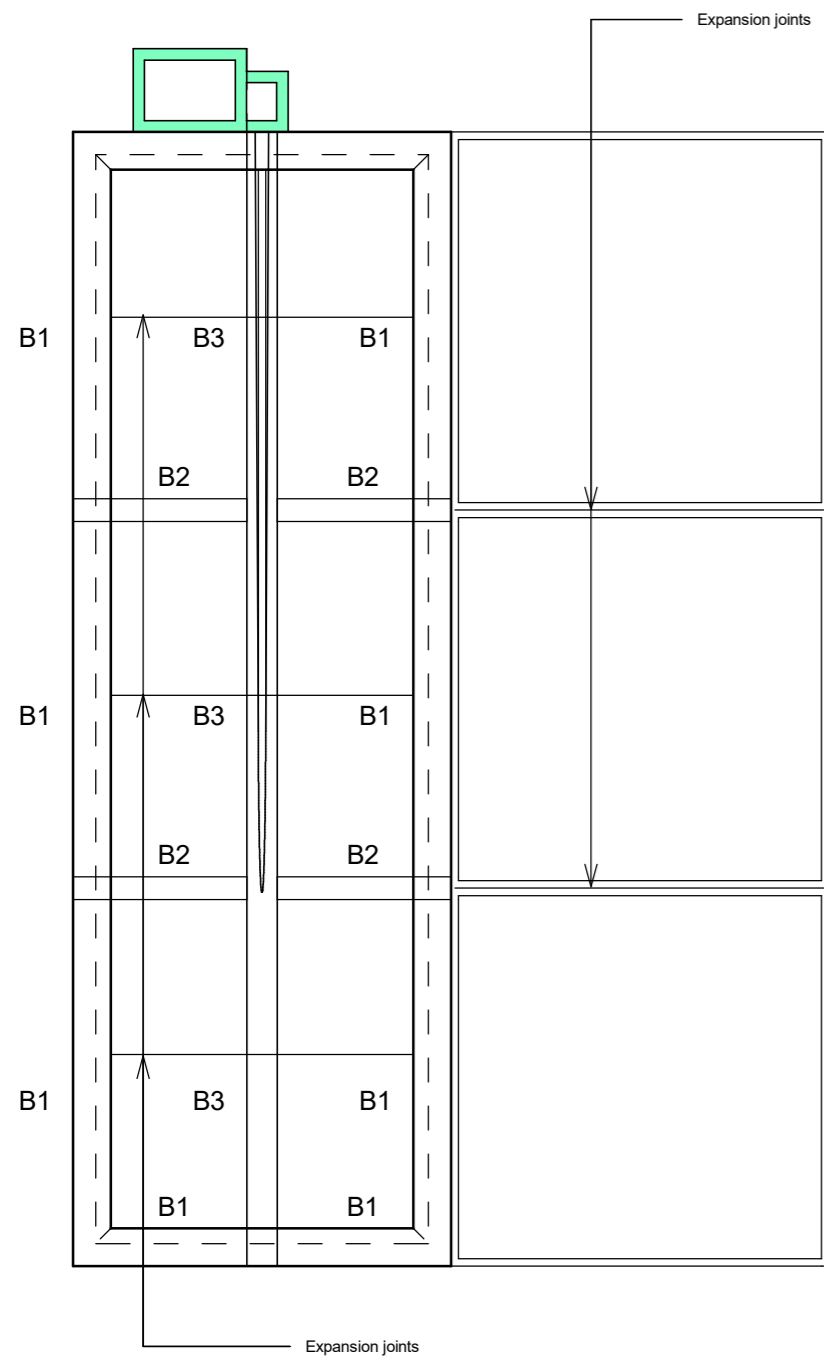
-  Distribution board
-  100W Energy saving light
-  3 phase power point (1.5m above FFL)
-  1 phase power point (1.5m above FFL)
-  Weather proof switch
-  Wall mount exhaust fan (14" blade diameter, 230V, @250W)
-  Light posts



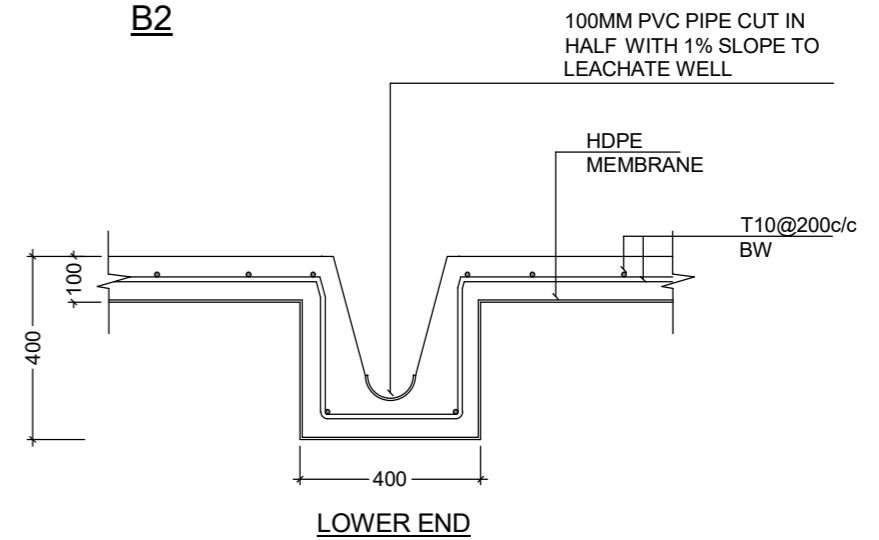
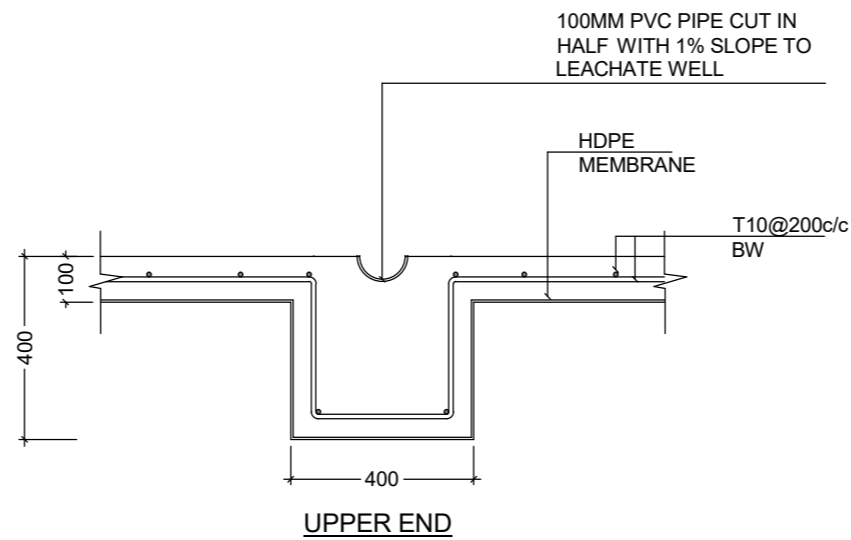


- · — · — 75mm Conveyance pipe
- 1.5" mm distribution pipe
- ⊕ 75mm down pipe
- Foot valve
- ⊙ Shallow well pump (230V, 550W)
- ⊕ Metal tap



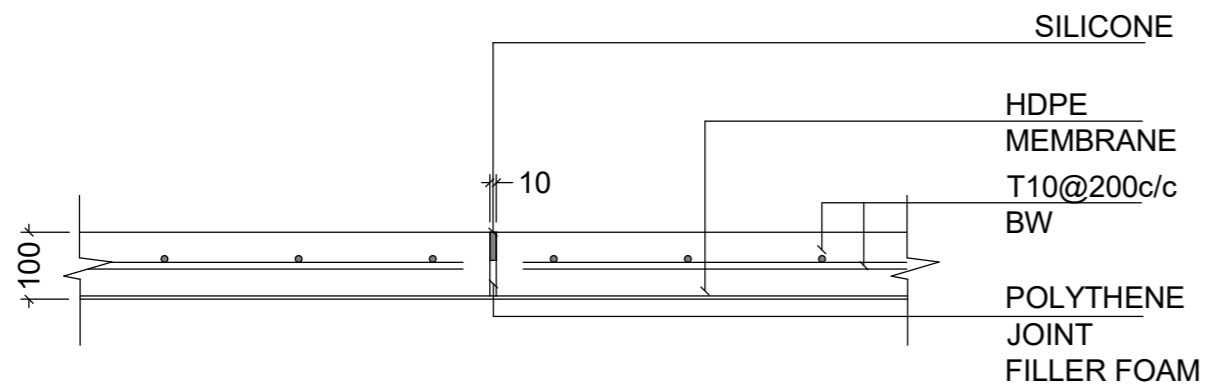


Slab turned down by 300 mm

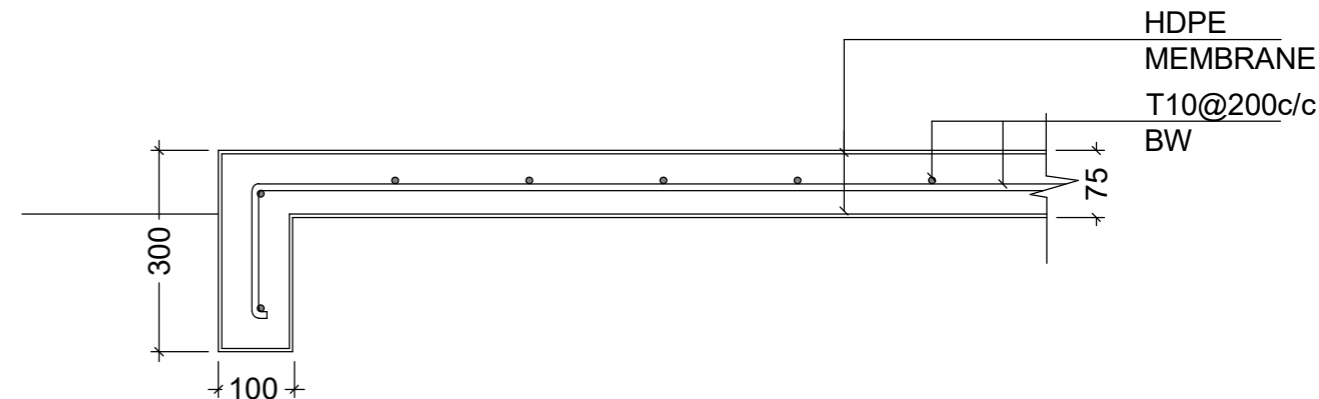


B3

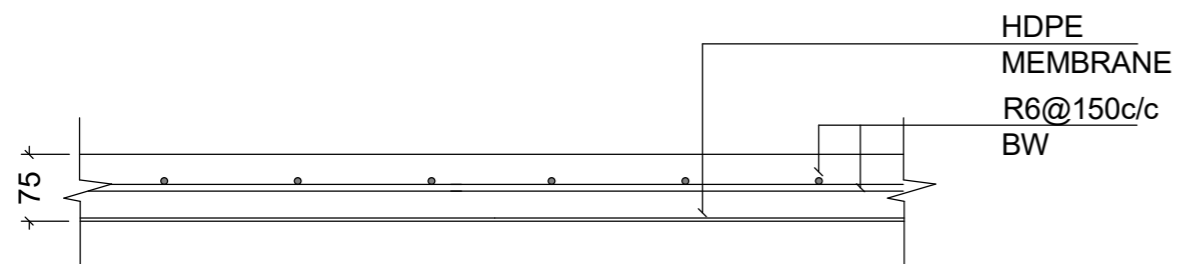




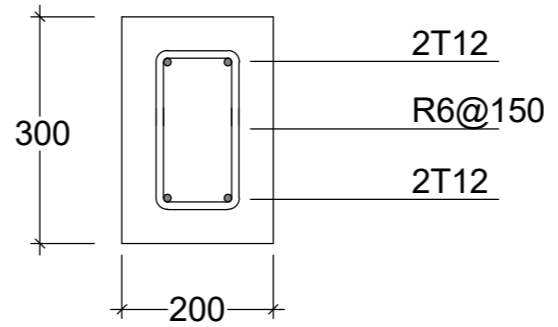
COMPOST BED SLAB DETAIL



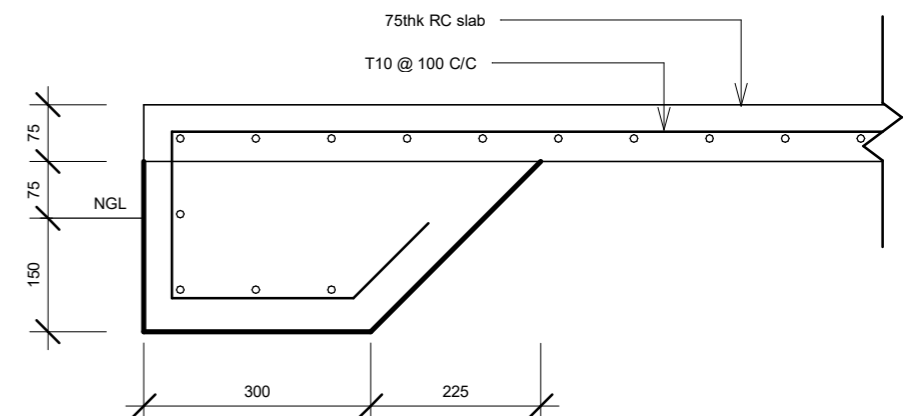
SORTING BED SLAB TURNED DOWN DETAIL



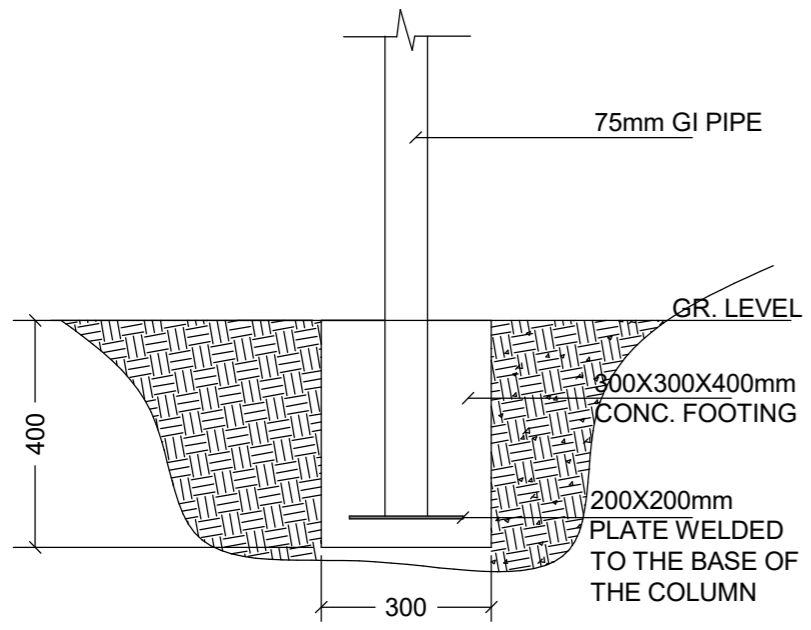
STORAGE AREA GROUND SLAB



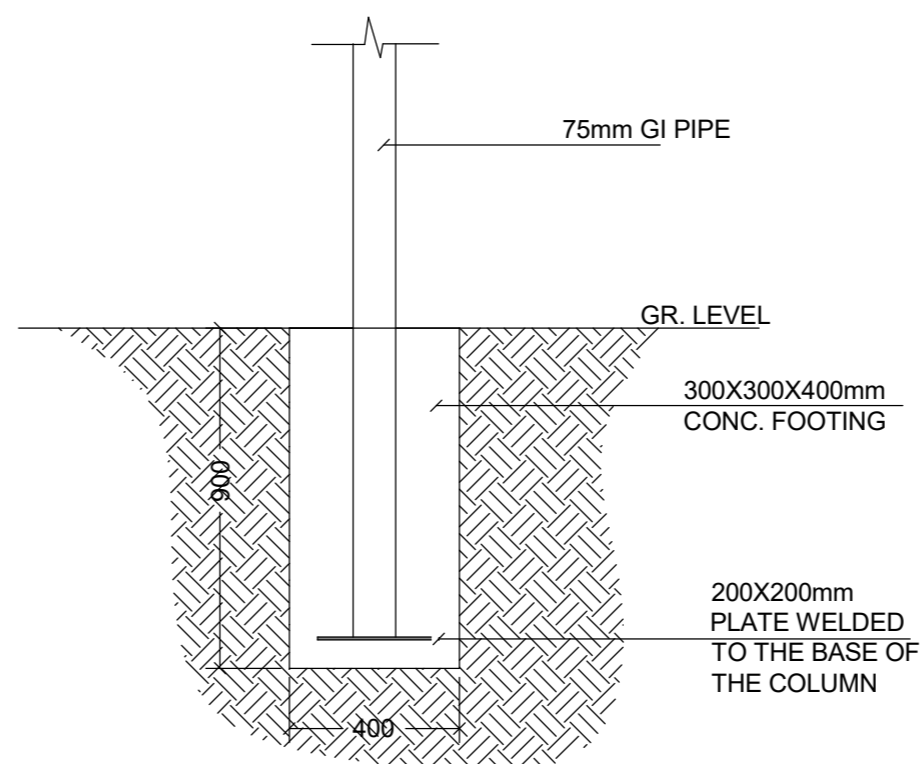
LINE FOOTING



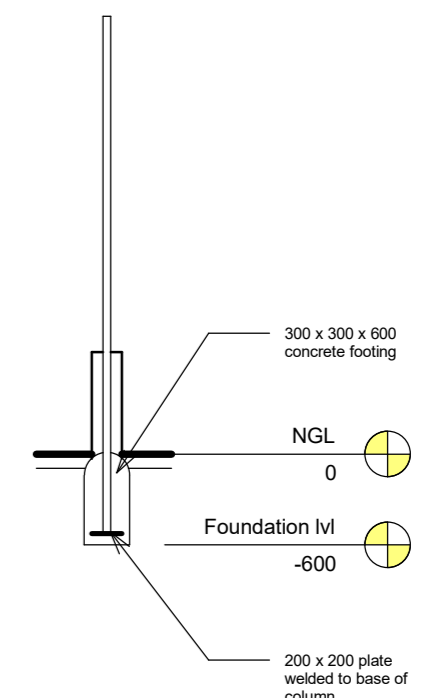
Extension slab turn down



WASTE SORTING AREA COLUMN FOUNDATION DETAIL

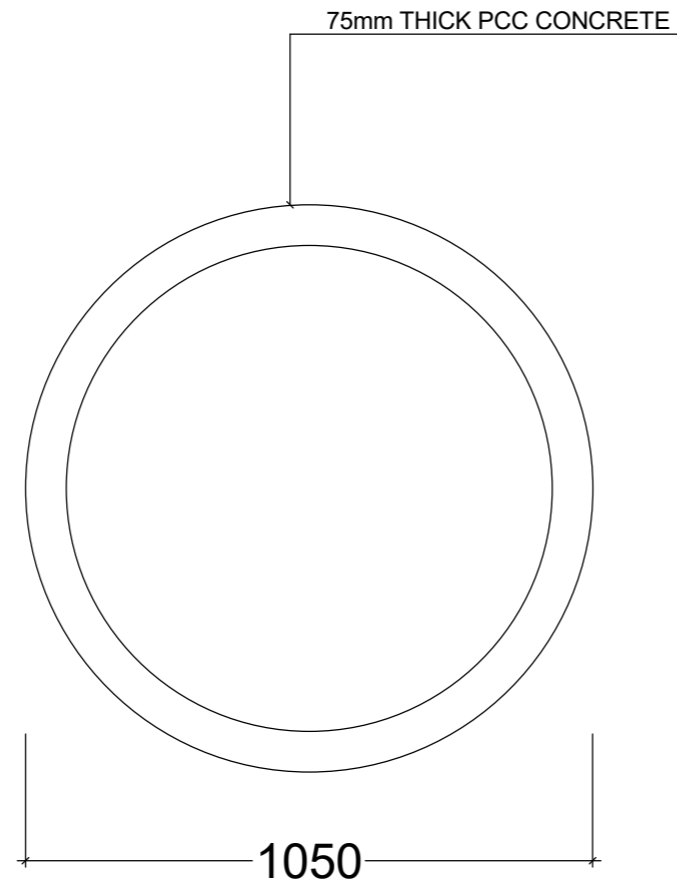


LIGHT POST FOUNDATION

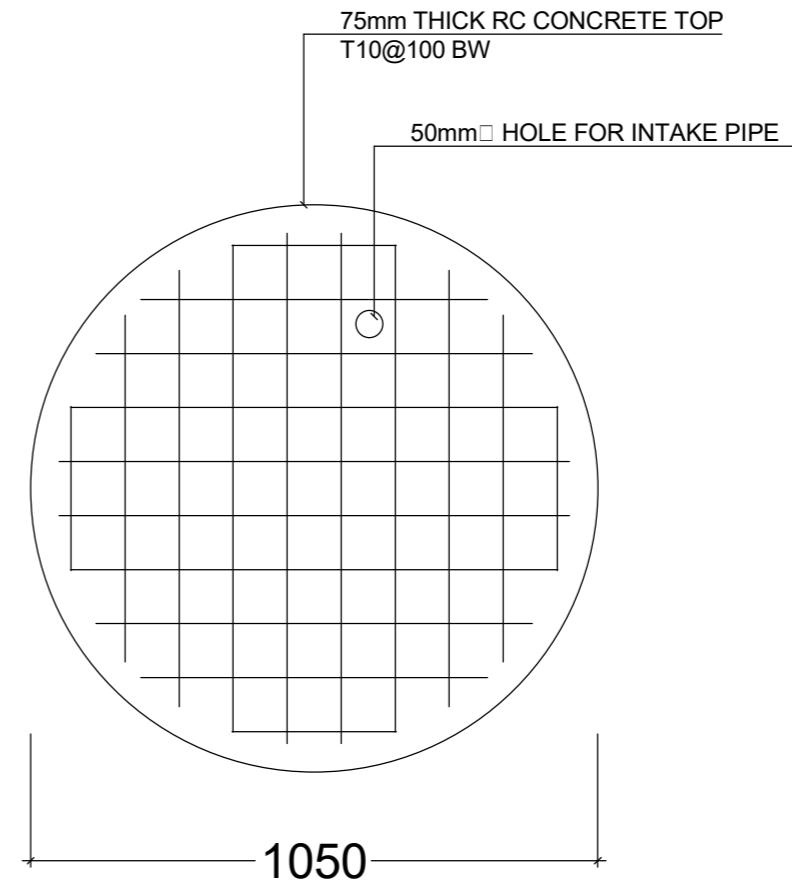


Perimeter wall column foundation

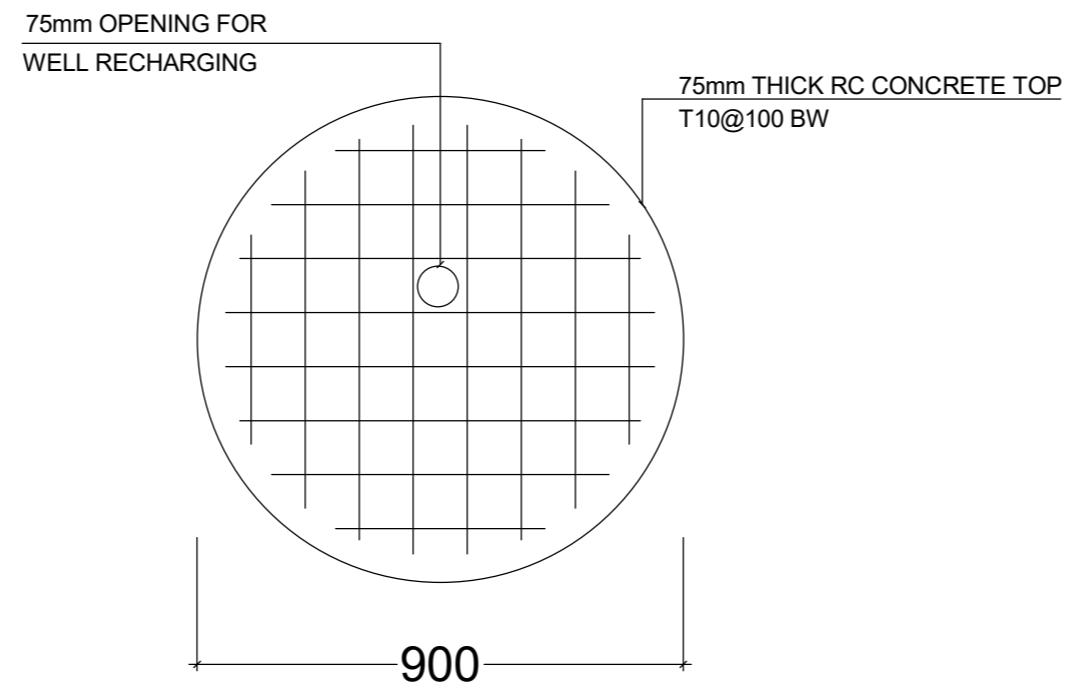




GROUND WATER WELL

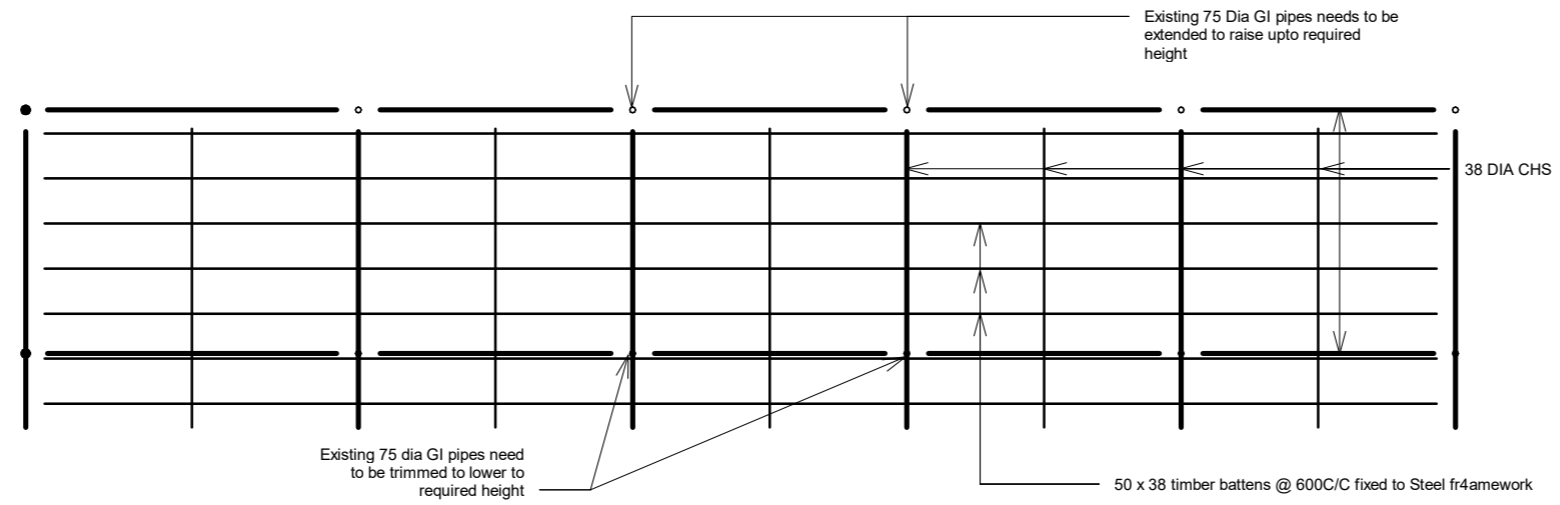


GROUND WATER WELL - TOP

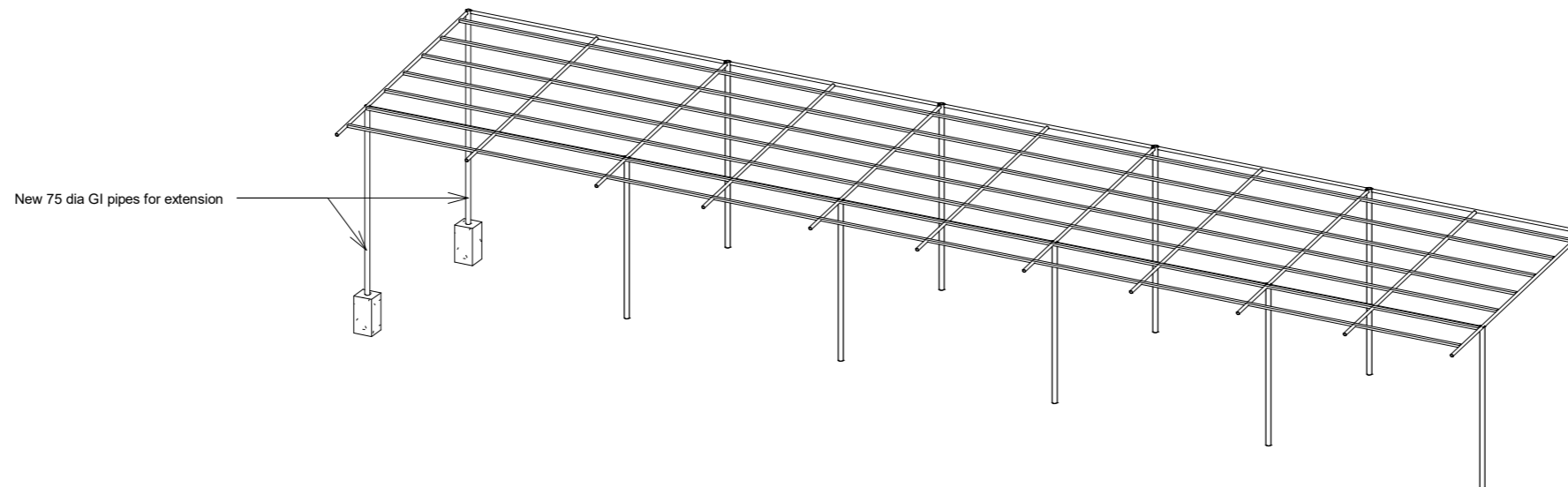


GROUND WATER WELL - BASE





① Sorting area roofing frame
1 : 100



② Structural frame



